



US00D348824S

# United States Patent [19]

Hsu

[11] Patent Number: **Des. 348,824**

[45] Date of Patent: **\*\* Jul. 19, 1994**

[54] **AUTOMOBILE STEERING WHEEL LOCK**

[76] Inventor: **Lien-Tsai Hsu**, No. 54, Lane 459, Sec. 1, An-Ho Road, Tainan City, Taiwan

[\*\*] Term: **14 Years**

[21] Appl. No.: **12,730**

[22] Filed: **Sep. 9, 1993**

[52] U.S. Cl. .... **D8/331**

[58] Field of Search ..... **D8/330-331, D8/333, 339, 341; 70/14, 233, 237-238, 245, 247, 252**

[56] **References Cited**

**U.S. PATENT DOCUMENTS**

- D. 328,020 7/1992 Wang ..... D8/331
- D. 330,841 11/1992 Shen ..... D8/331
- D. 339,734 9/1993 Chen et al. .... D8/331

- D. 343,109 1/1994 Charet et al. .... D8/331
- 5,257,518 11/1993 Hsieh ..... 70/238 X

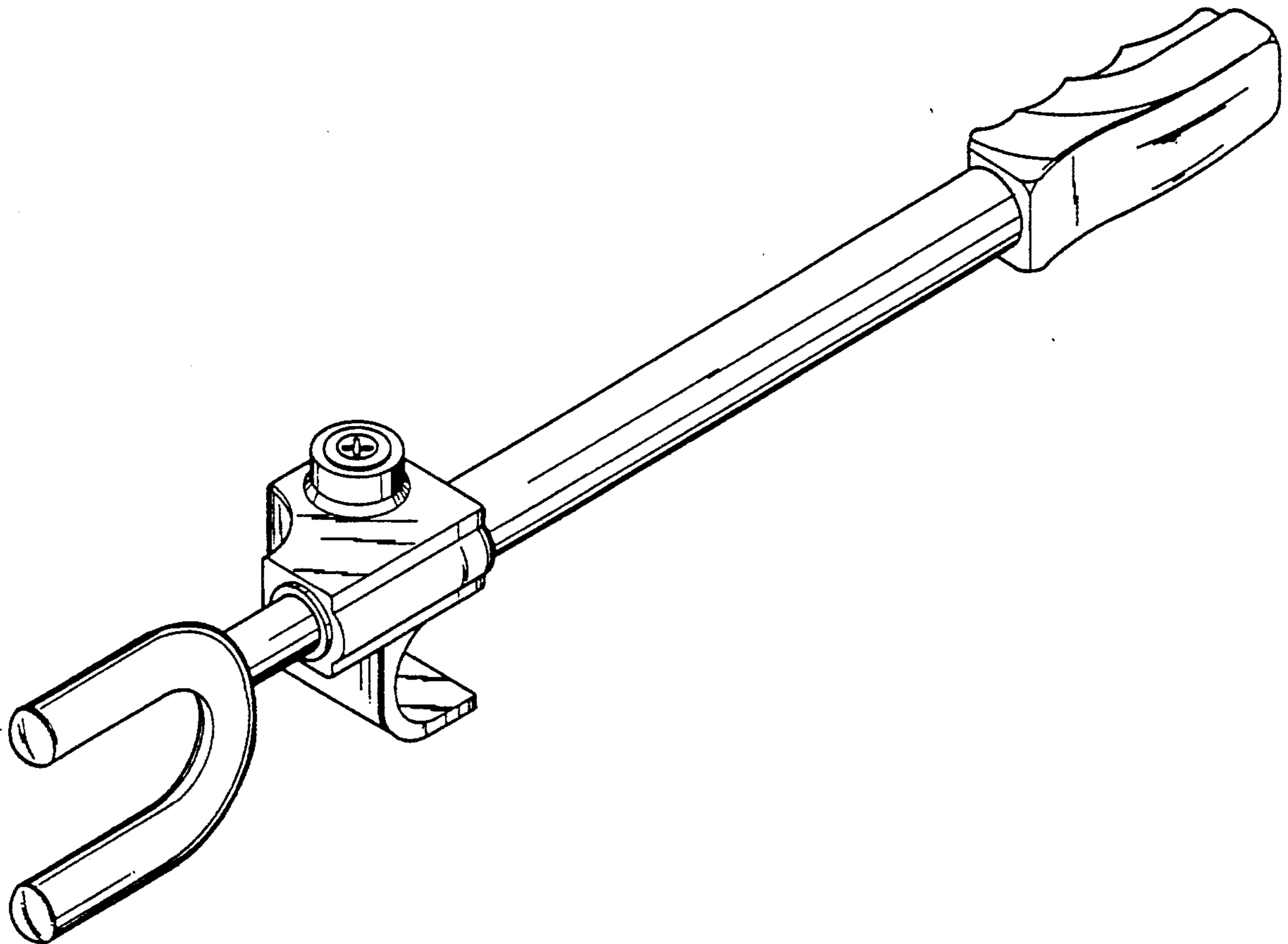
*Primary Examiner*—Brian N. Vinson  
*Attorney, Agent, or Firm*—Morton J. Rosenberg; David I. Klein

[57] **CLAIM**

The ornamental design for an automobile steering wheel lock, as shown and described.

**DESCRIPTION**

FIG. 1 is a perspective view of an automobile steering wheel lock showing my new design; FIG. 2 is a front view thereof; FIG. 3 is a rear view thereof; FIG. 4 is a left view thereof; FIG. 5 is a right view thereof; FIG. 6 is a top plan view thereof; and, FIG. 7 is a bottom plan view.



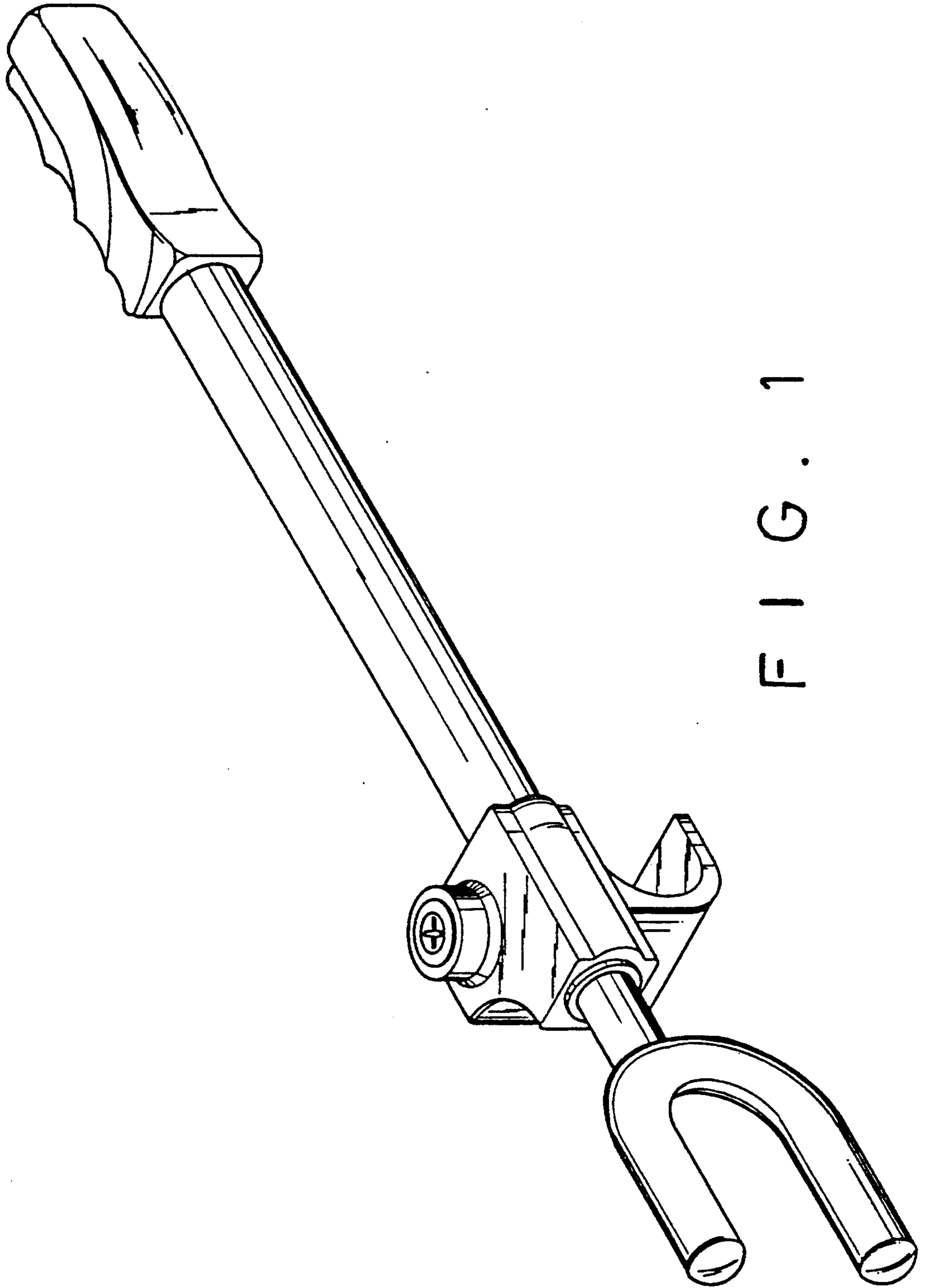


FIG. 1

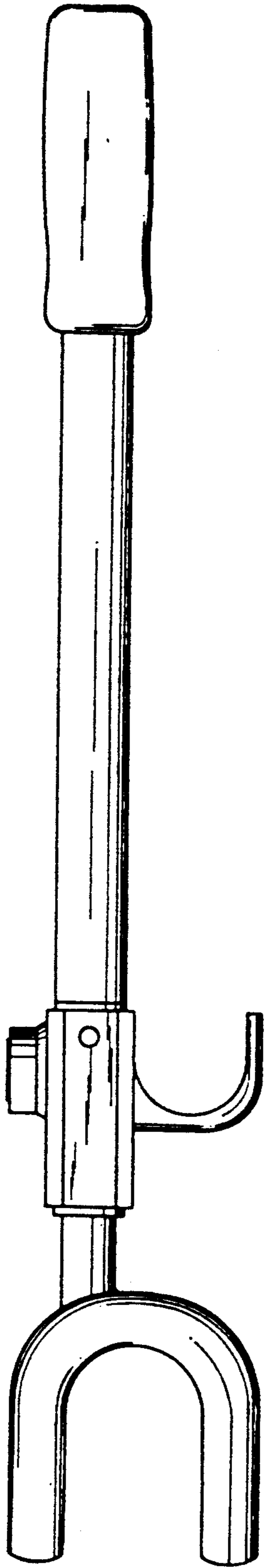


FIG. 2

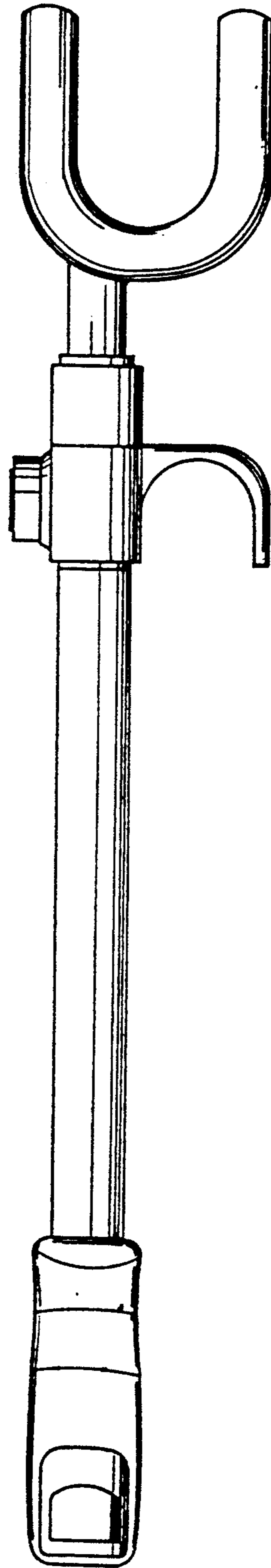


FIG. 3

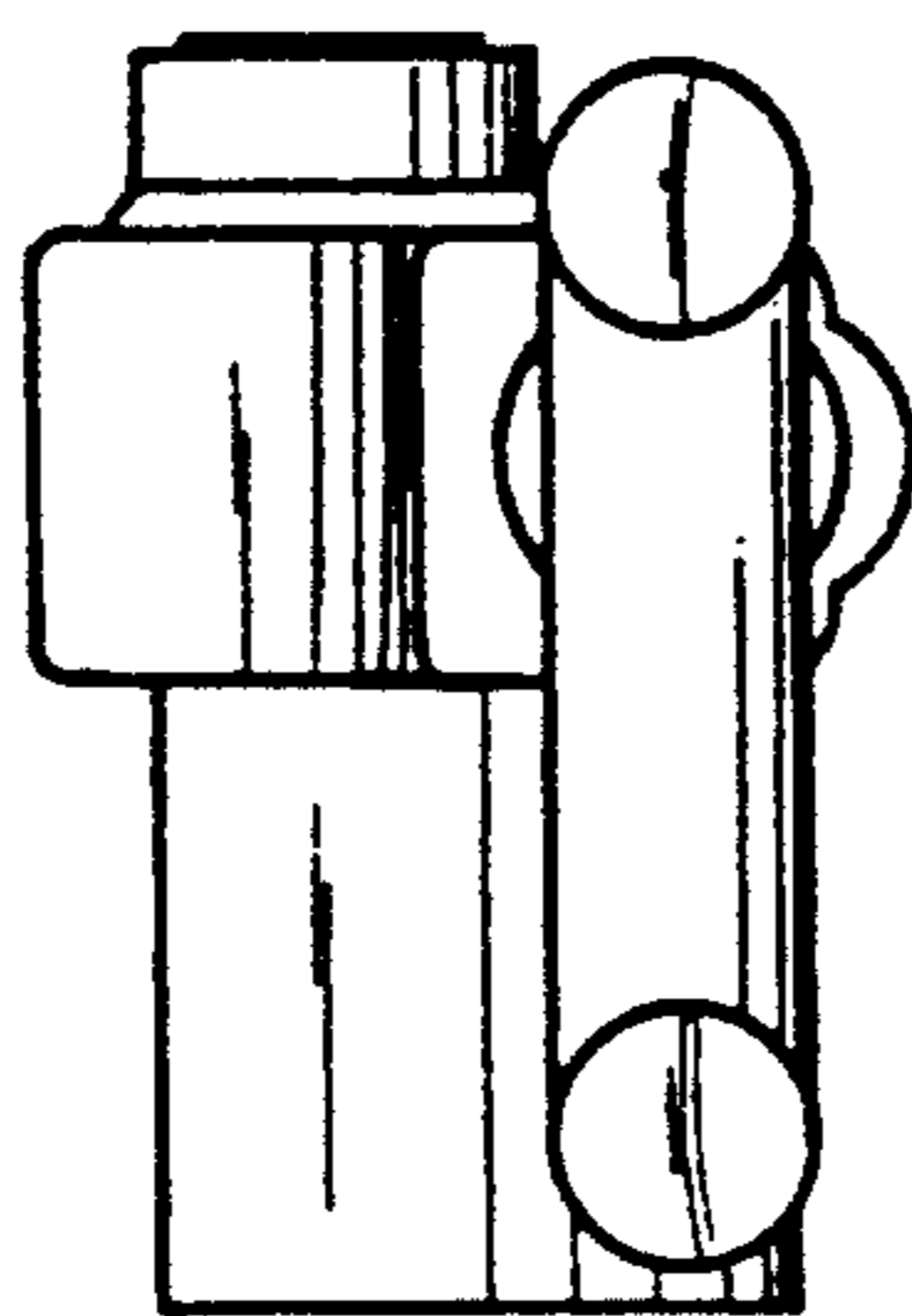


FIG. 4

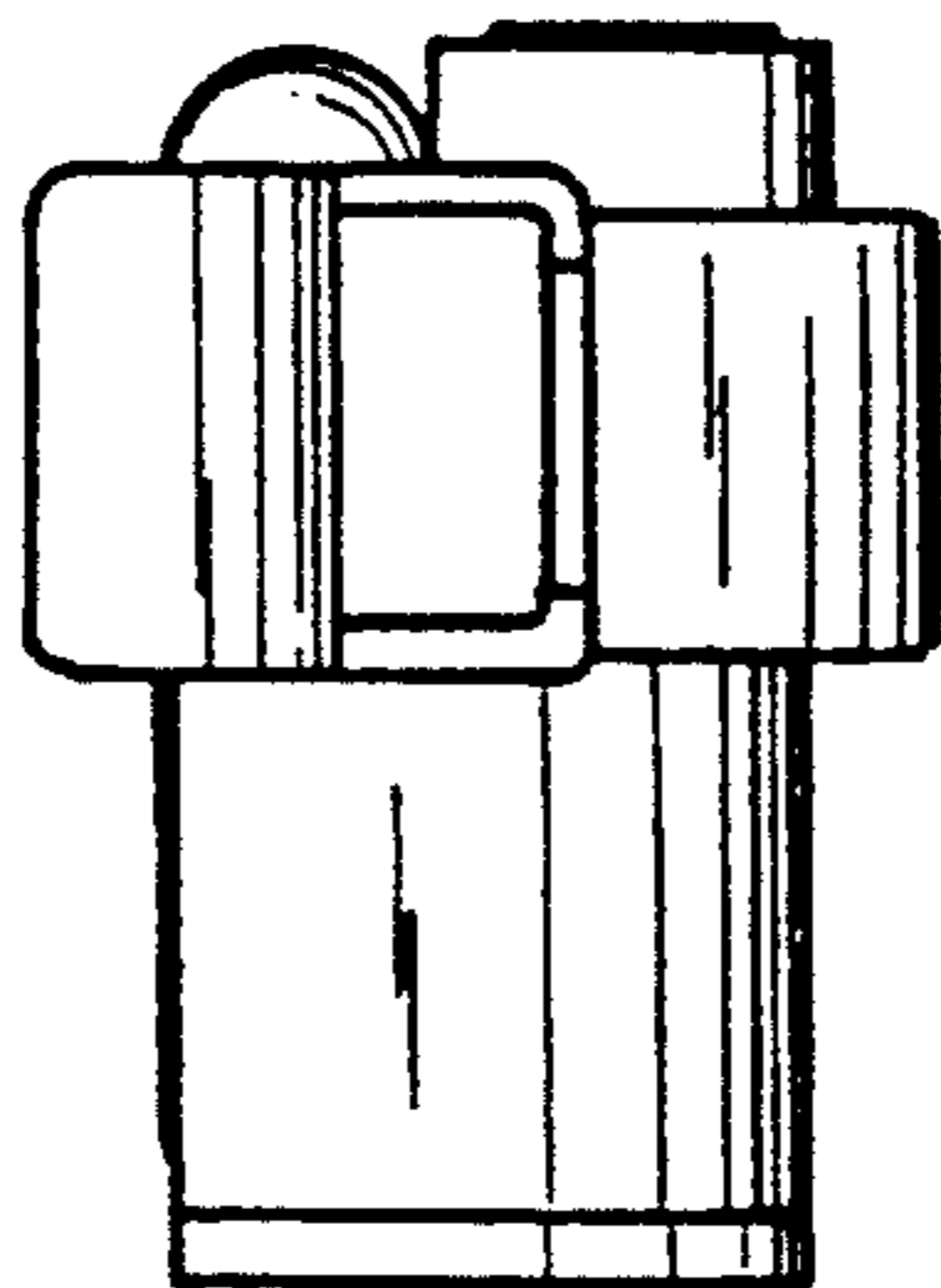


FIG. 5

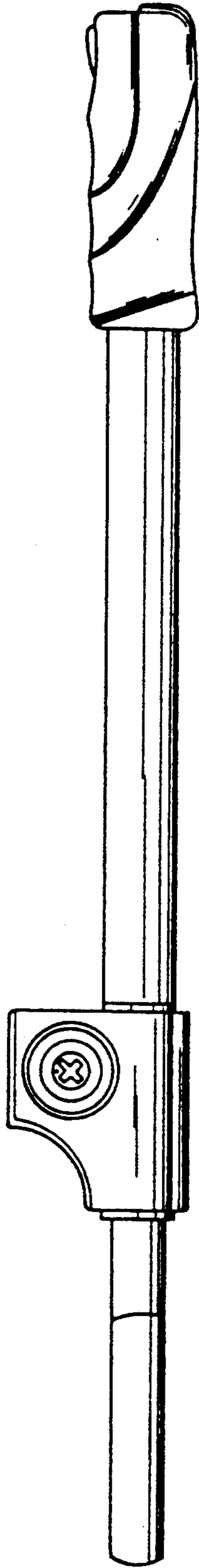


FIG. 6

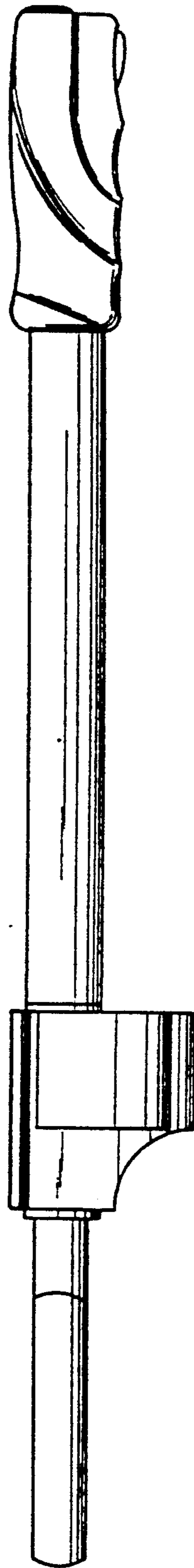


FIG. 7