



US00D348822S

# United States Patent [19]

Donofrio

[11] Patent Number: **Des. 348,822**

[45] Date of Patent: **\*\* Jul. 19, 1994**

## [54] DOOR HANDLE ADAPTER

[75] Inventor: **Philip J. Donofrio**, Oxford, Conn.

[73] Assignees: **Leeverall, Inc.**, Ansonia; **Condor Sales**, Orange, both of Conn.

[\*] Notice: The portion of the term of this patent subsequent to Jan. 25, 2008 has been disclaimed.

[\*\*] Term: **14 Years**

[21] Appl. No.: **6,797**

[22] Filed: **Apr. 7, 1993**

### Related U.S. Application Data

[63] Continuation-in-part of Ser. No. 2,952, Dec. 23, 1992, Pat. No. Des. 343,564.

[52] U.S. Cl. .... **D8/308; D8/321**

[58] Field of Search ..... **D8/307, 308, 321; 16/110 R, 114 R; 292/336.3, DIG. 2, 347, 288**

## [56] References Cited

### U.S. PATENT DOCUMENTS

D. 219,861	2/1971	Coffman .....	D8/308
D. 289,369	4/1987	Foshee .....	D8/308
4,502,719	3/1985	Perry .....	292/347
4,648,643	3/1987	Bettger .....	292/347
4,913,479	4/1990	Allison .....	292/347
5,231,731	8/1993	Jones, Jr. ....	16/114 R

*Primary Examiner*—B. J. Bullock

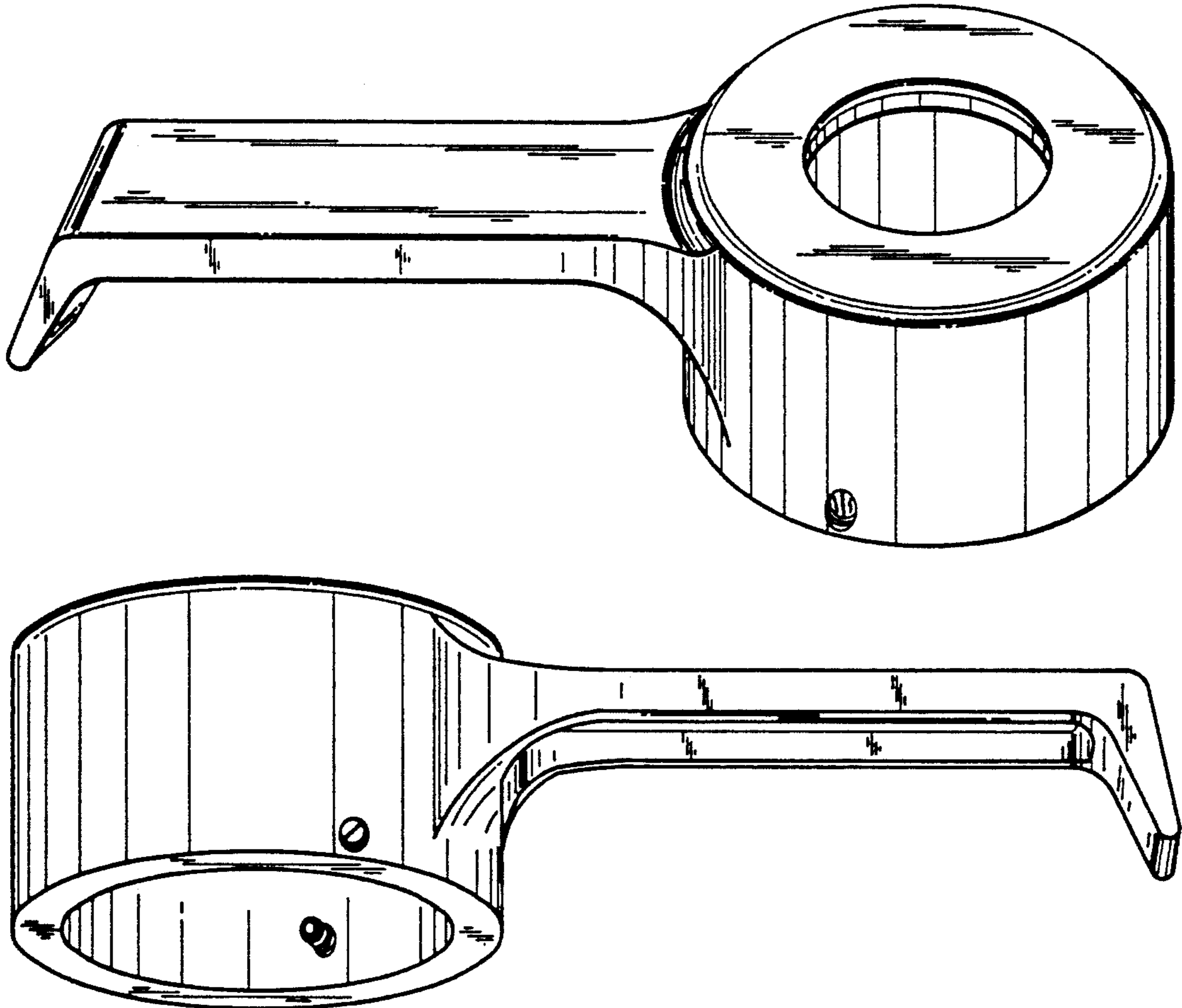
*Attorney, Agent, or Firm*—Bachman & LaPointe

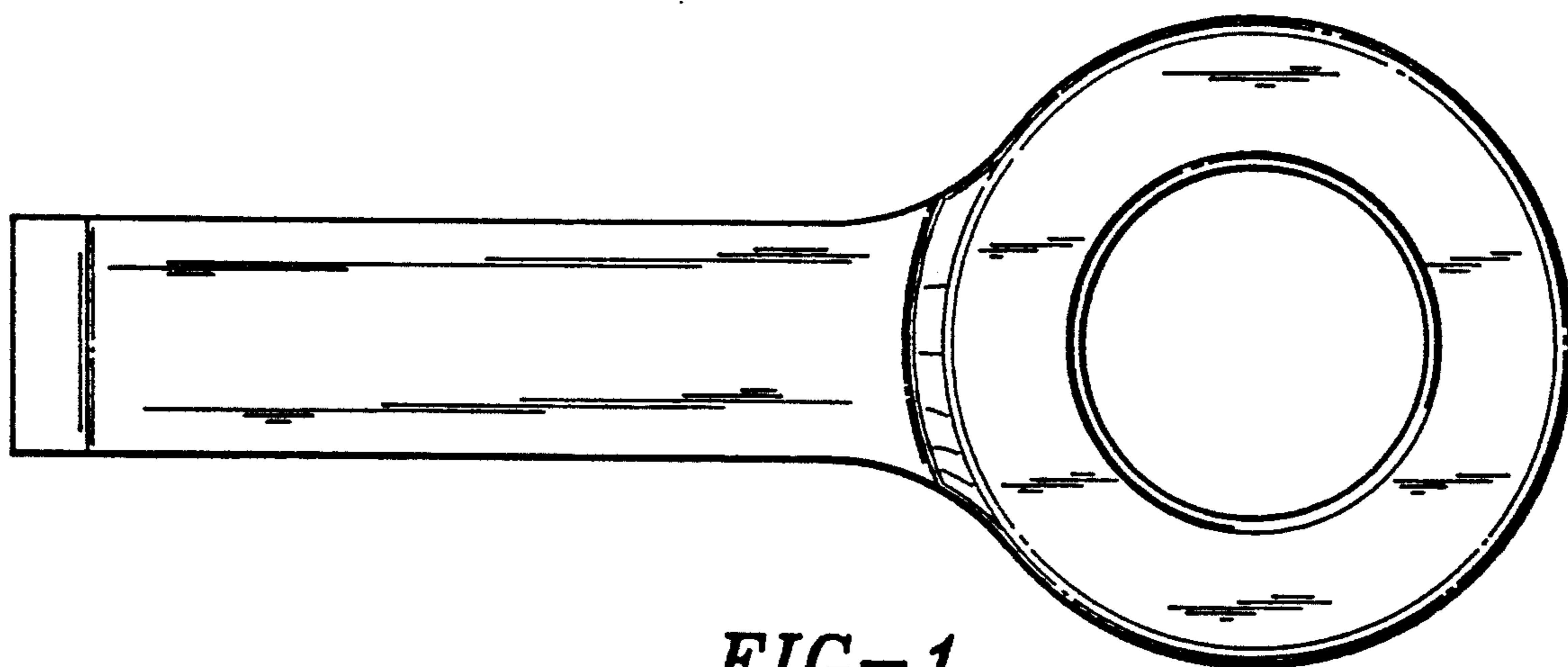
## [57] CLAIM

The ornamental design for a door handle adapter, as shown and described.

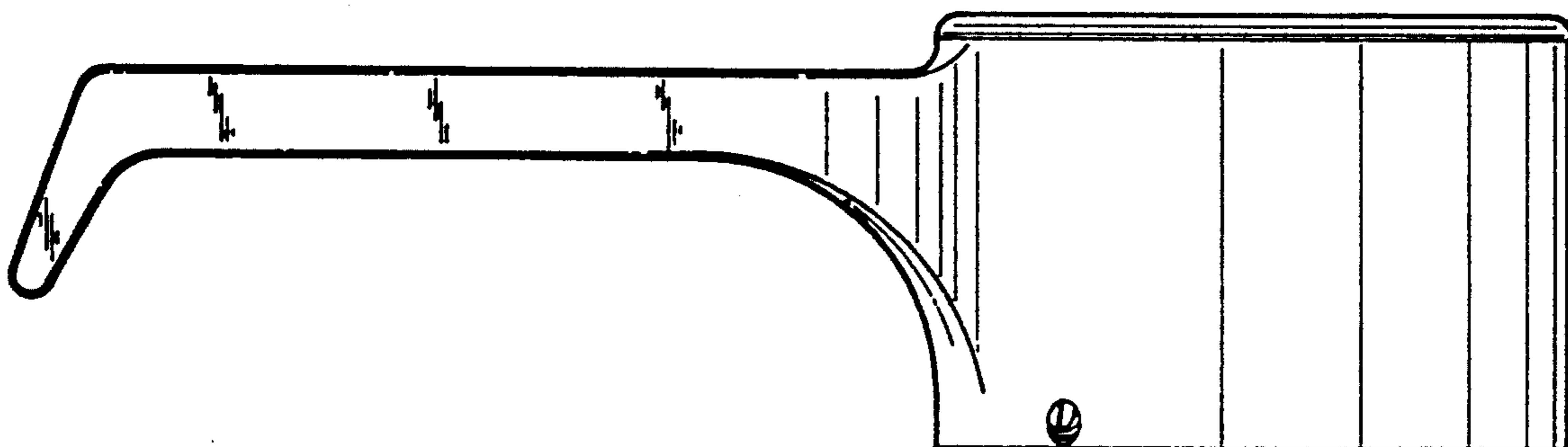
## DESCRIPTION

FIG. 1 is a top plan view of a door handle adapter embodying my new design;  
 FIG. 2 is a side elevational view taken from the bottom of FIG. 1, the side opposite being a mirror image;  
 FIG. 3 is a bottom plan view thereof;  
 FIG. 4 is a top perspective view thereof;  
 FIG. 5 is a bottom perspective view thereof;  
 FIG. 6 is a left end elevational view thereof; and,  
 FIG. 7 is a right end elevational view thereof.

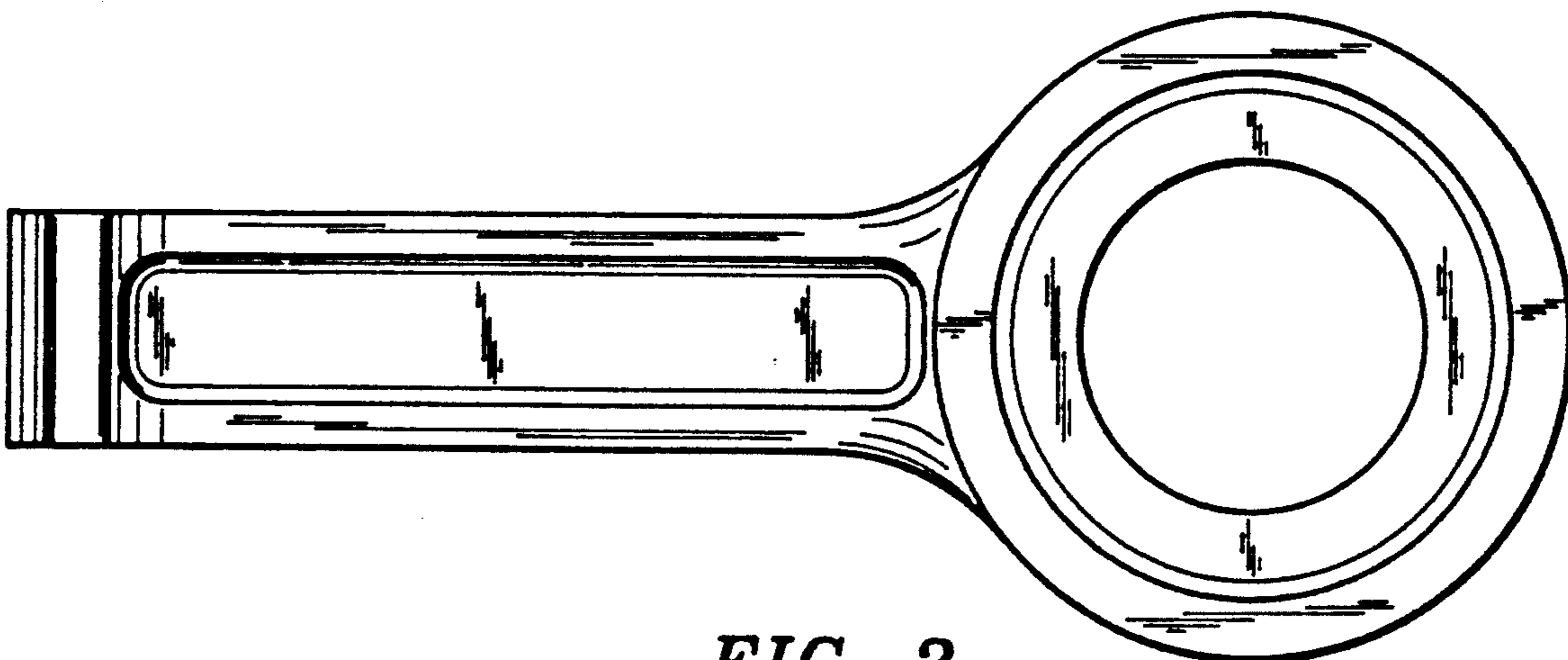




*FIG-1*



*FIG-2*



*FIG-3*

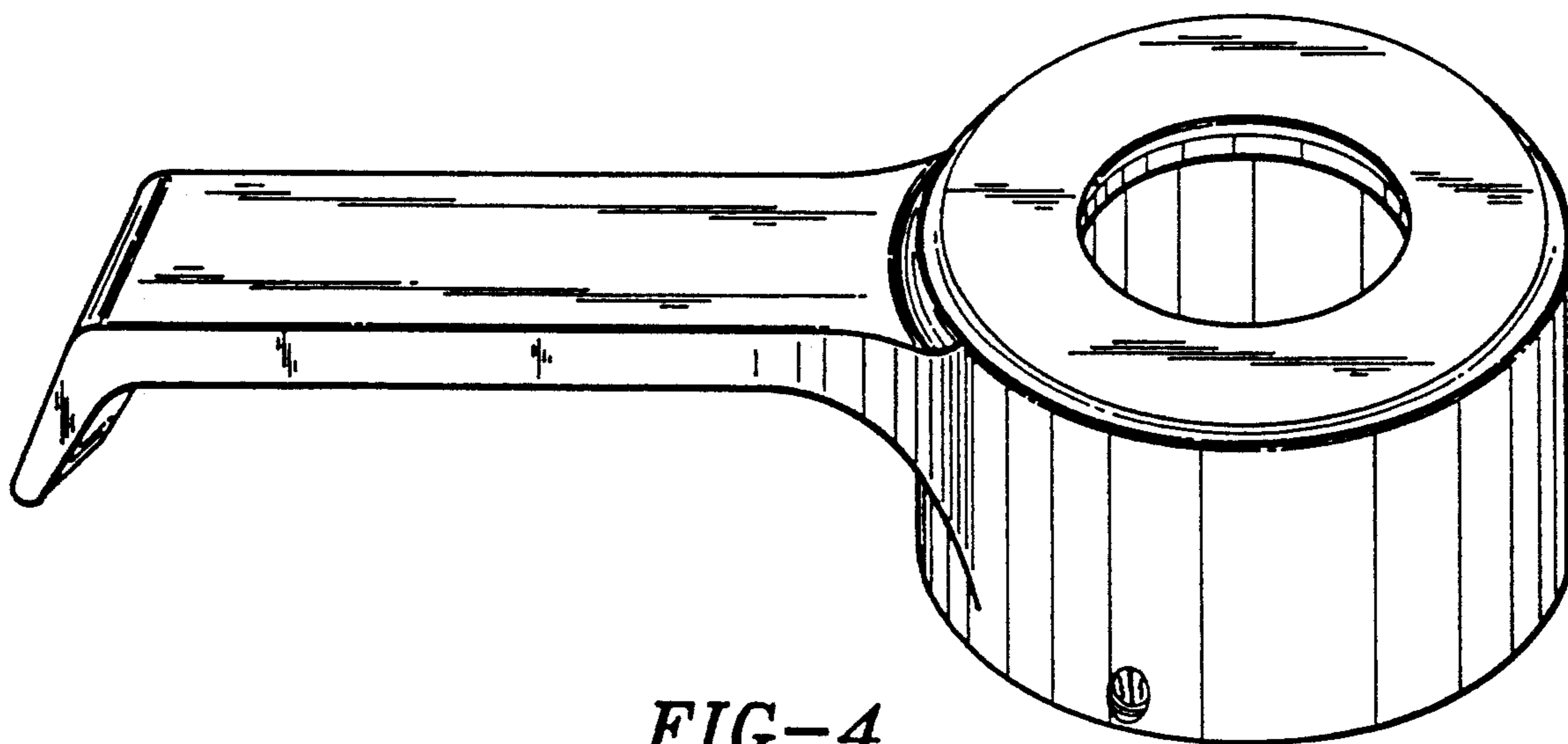


FIG-4

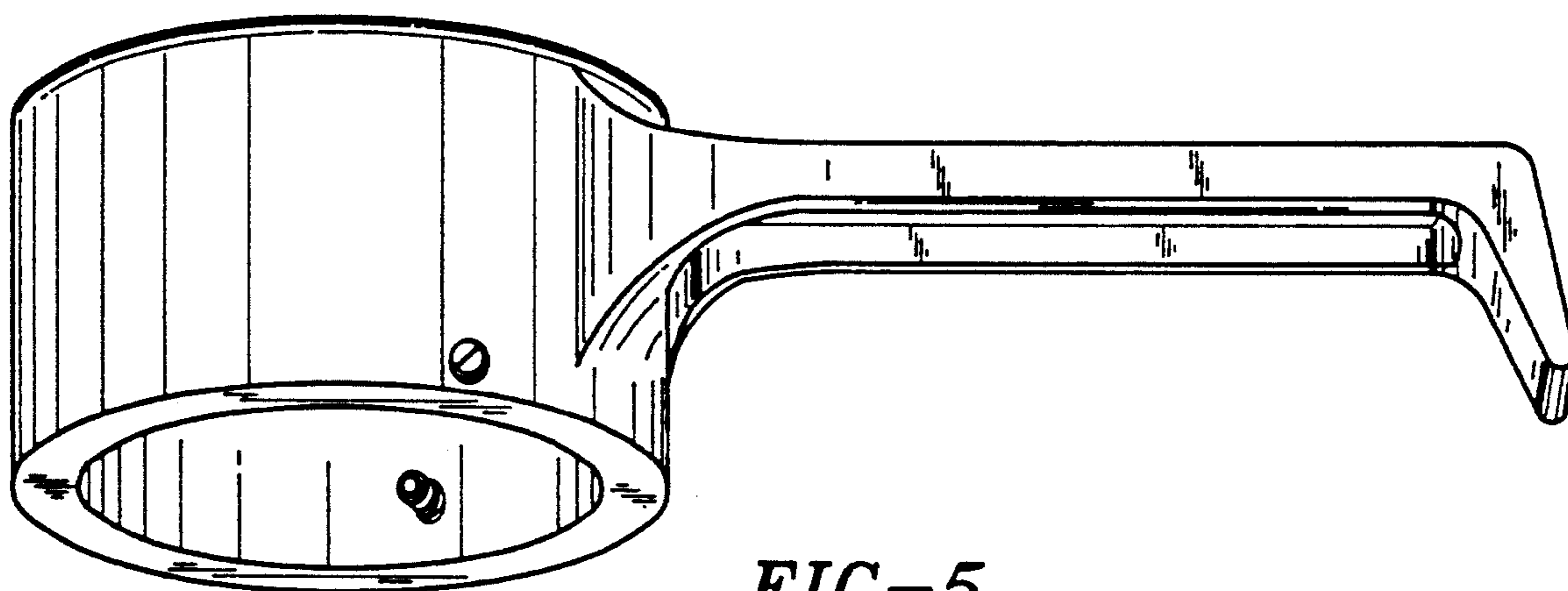


FIG-5

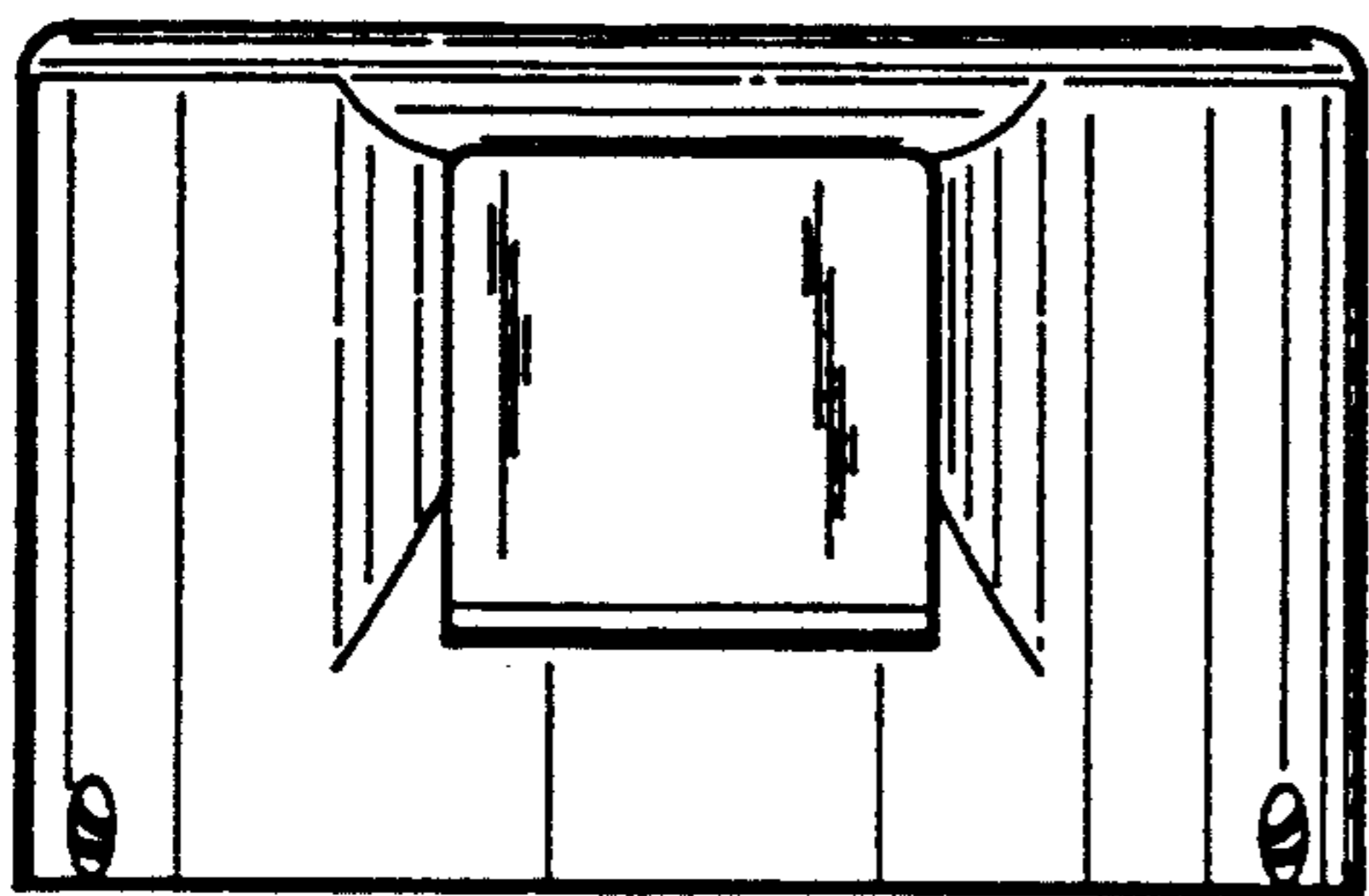


FIG-6

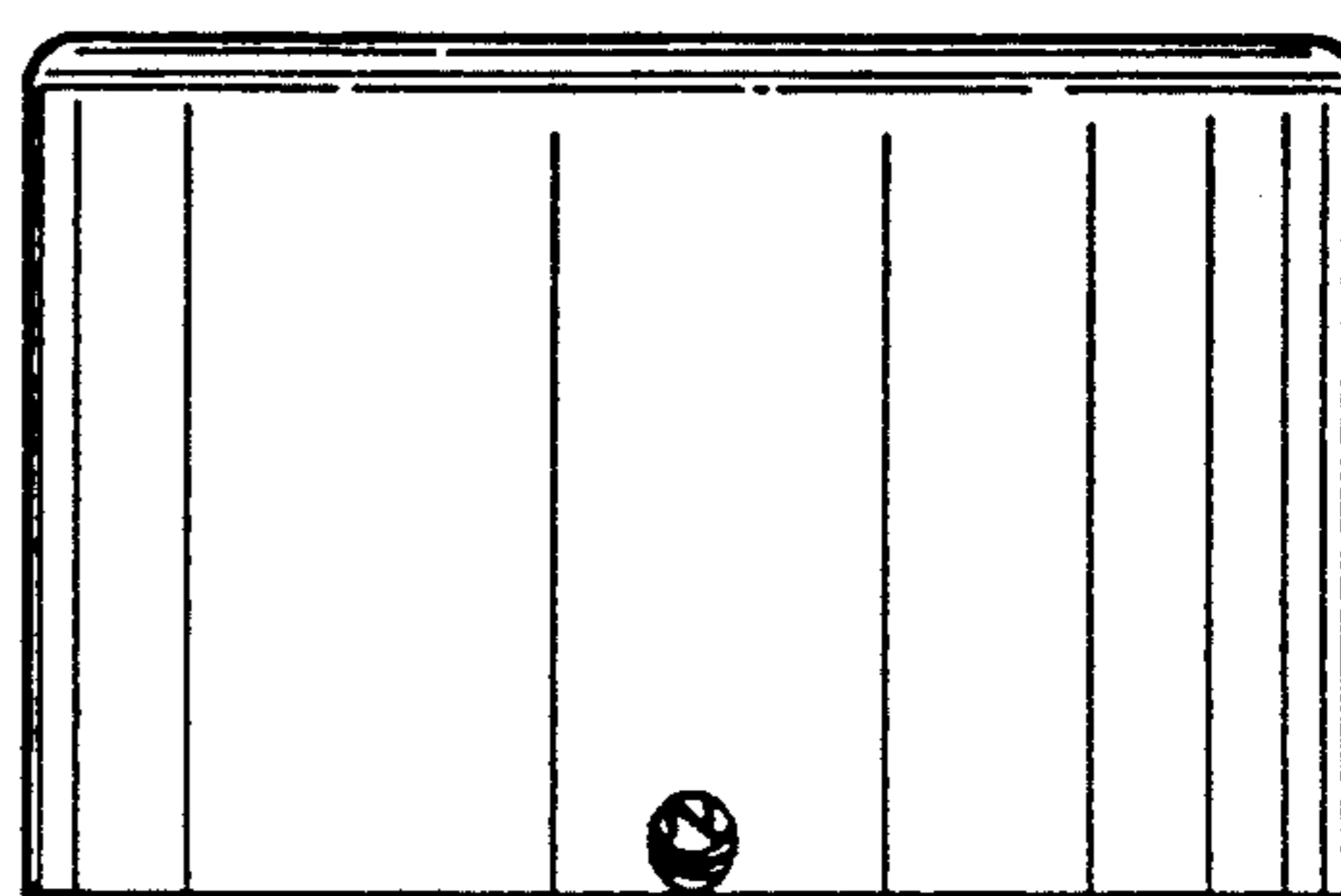


FIG-7