



US00D348818S

# United States Patent [19]

[11] Patent Number: **Des. 348,818**

**Hasegawa**

[45] Date of Patent: **\*\* Jul. 19, 1994**

[54] **KNIFE**

[57] **CLAIM**

[75] Inventor: **Katsumi Hasegawa**, Sagamihara, Japan

The ornamental design for a knife, as shown and described.

[73] Assignee: **Kai R&D Center Co.**, Seki, Japan

### DESCRIPTION

[\*\*] Term: **14 Years**

FIG. 1 is a front elevational view of a knife showing my first new design;

[21] Appl. No.: **948,746**

FIG. 2 is a top plan view thereof;

[22] Filed: **Sep. 11, 1992**

FIG. 3 is a bottom plan view thereof;

### [30] Foreign Application Priority Data

Mar. 13, 1992 [JP] Japan ..... 4-7275

FIG. 4 is a rear elevational view thereof;

Mar. 13, 1992 [JP] Japan ..... 4-7276

FIG. 5 is a left side view thereof;

[52] U.S. Cl. .... **D8/99; D22/118**

FIG. 6 is a right side view thereof;

[58] Field of Search ..... D8/98, 99; 30/156, 157, 30/158, 159, 160, 161; D22/118

FIG. 7 is a front elevational view thereof in an opened position;

### [56] References Cited

#### U.S. PATENT DOCUMENTS

D. 224,388 7/1972 Wood ..... D8/99

FIG. 8 is a left side view thereof in the opened position;

D. 302,934 8/1989 Finn ..... D8/99

FIG. 9 is a top plan view thereof in the opened position;

D. 303,748 4/1987 Yamagishi ..... D7/152

FIG. 10 is a bottom plan view thereof in the opened position;

D. 308,009 5/1990 Evrell ..... D8/99

FIG. 11 is a perspective view thereof in the opened position;

D. 310,014 8/1990 Inman ..... D8/99

FIG. 12 is a front elevational view of a modified embodiment of the knife;

D. 329,185 8/1990 Hasegawa ..... D8/107

FIG. 13 is a top plan view thereof;

4,741,106 5/1988 Yamagishi ..... 30/158

FIG. 14 is a bottom plan view thereof;

#### FOREIGN PATENT DOCUMENTS

0176486 4/1986 European Pat. Off. .

FIG. 15 is a rear elevational view thereof;

#### OTHER PUBLICATIONS

Knives '91', by Ken Warner, p. 176, page of Folding Knives 10A09.

FIG. 16 is a left side view thereof;

*Primary Examiner*—Bernard Ansher

*Assistant Examiner*—Philip Hyder

*Attorney, Agent, or Firm*—Stetina & Brunda

FIG. 17 is a right side view thereof;

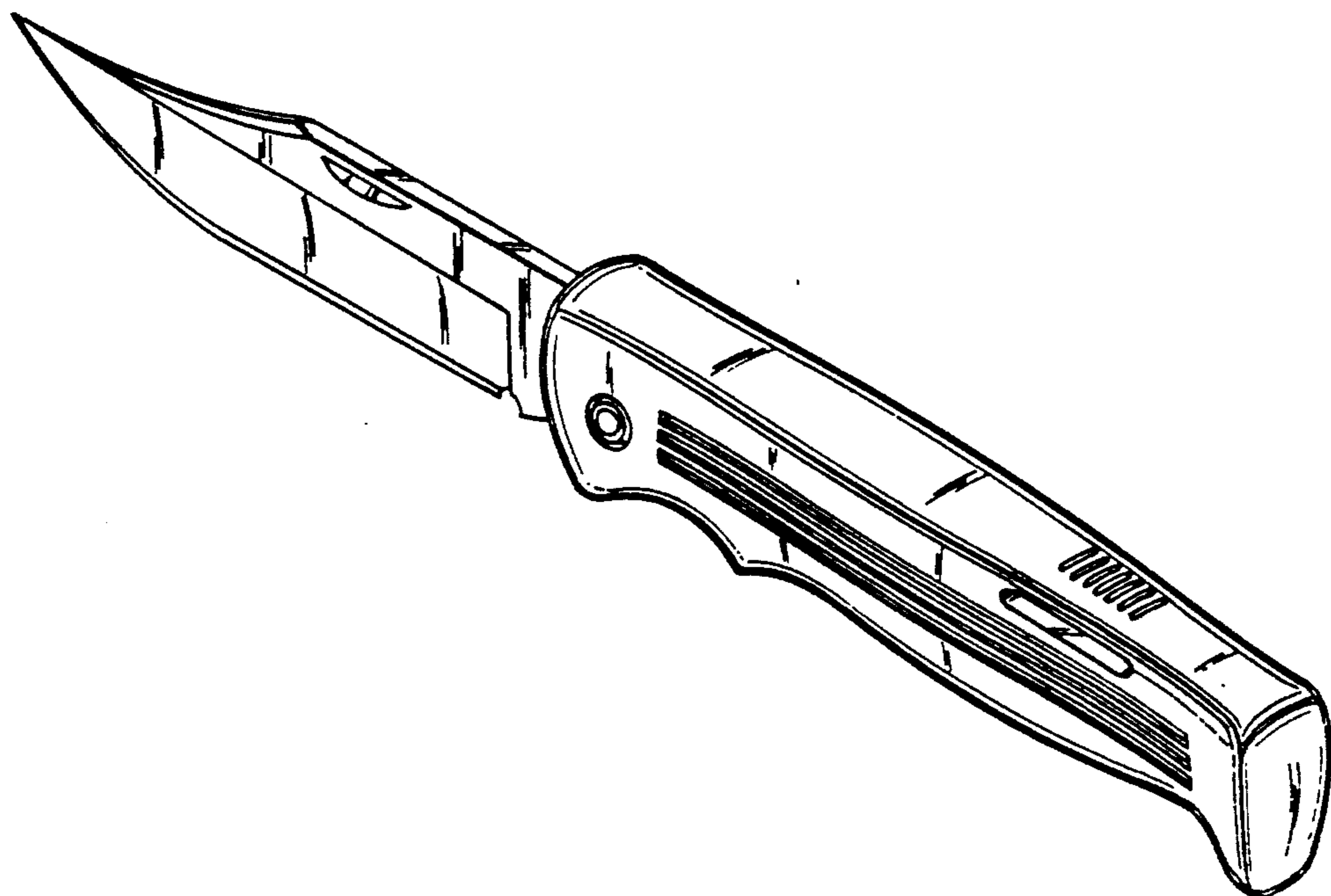
FIG. 18 is a front elevational view thereof in an opened position;

FIG. 19 is a left side view thereof in the opened position;

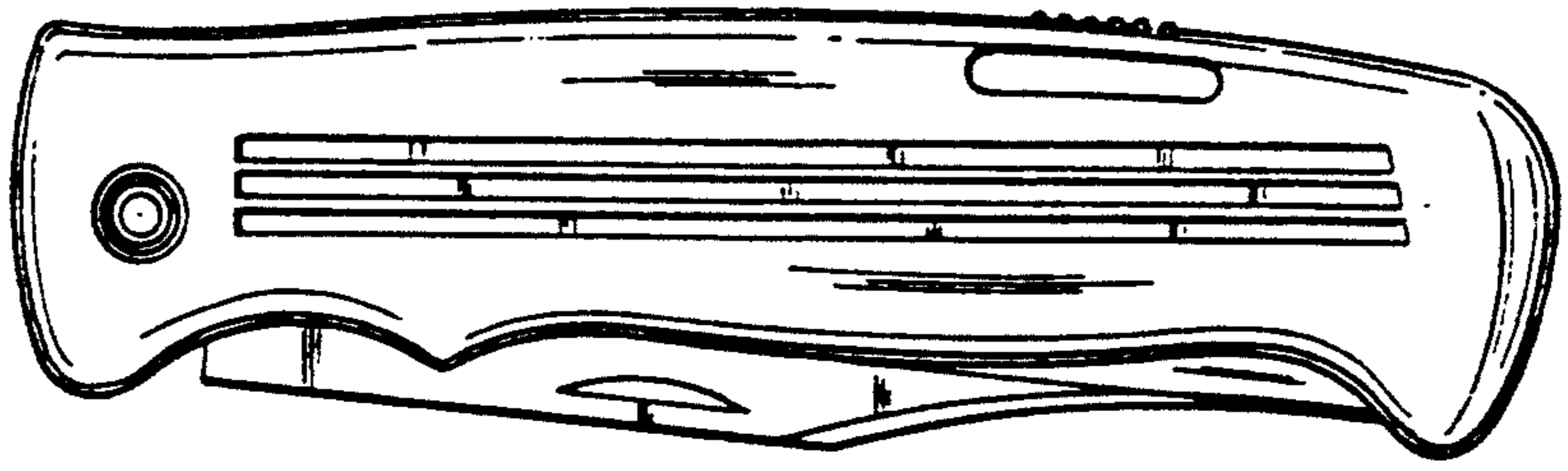
FIG. 20 is a top plan view thereof in the opened position;

FIG. 21 is a bottom plan view thereof in the opened position; and,

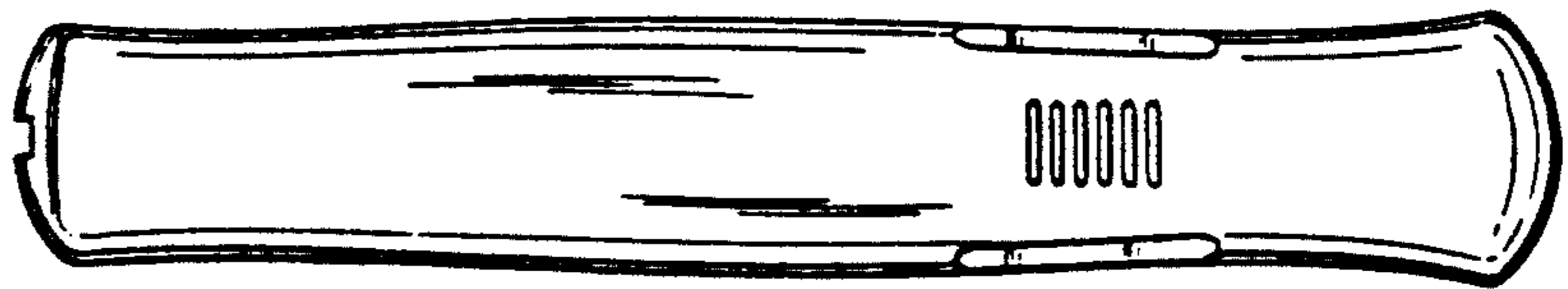
FIG. 22 is a perspective view thereof in the opened position.



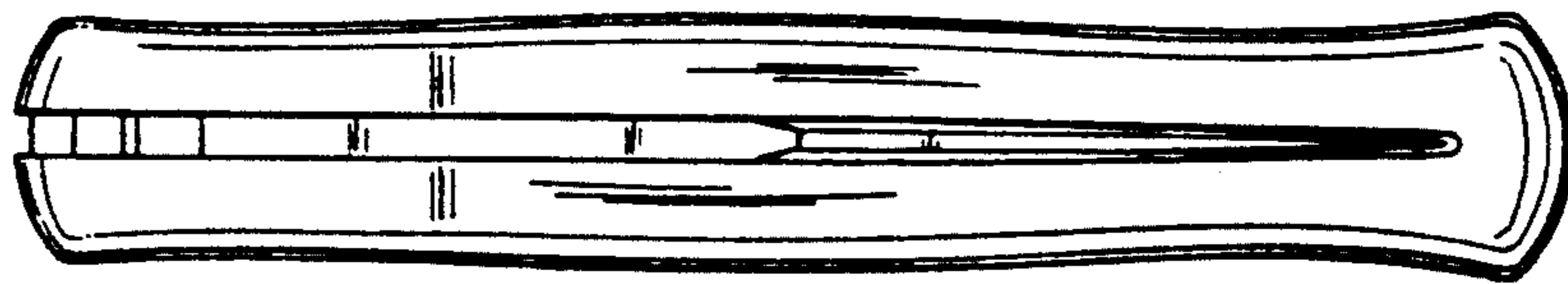
*Fig. 1*



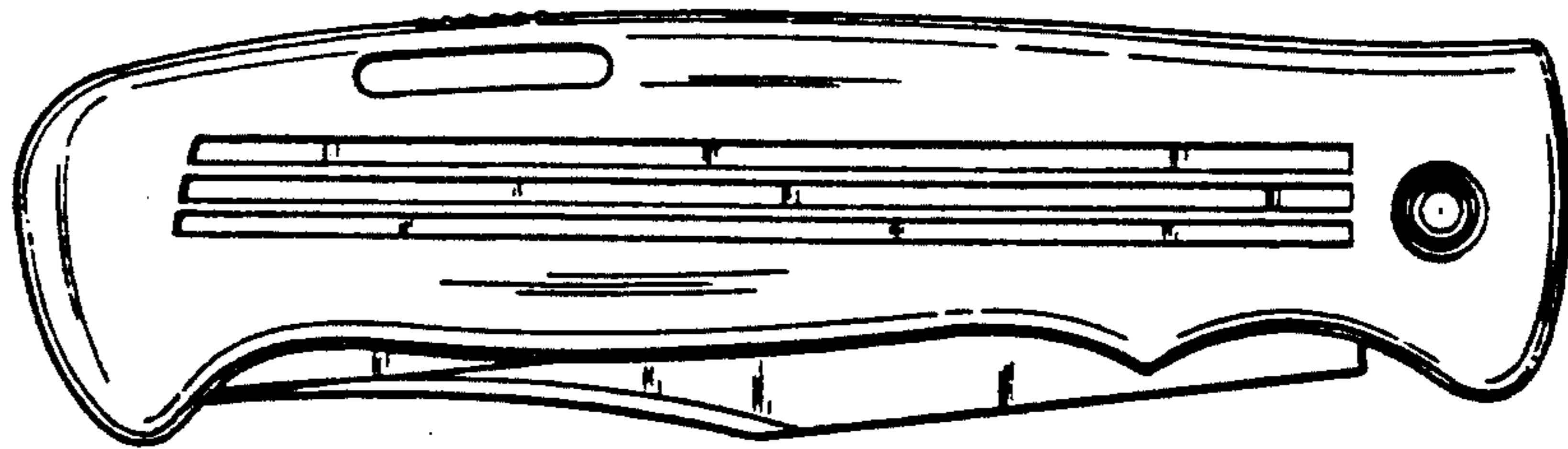
*Fig. 2*



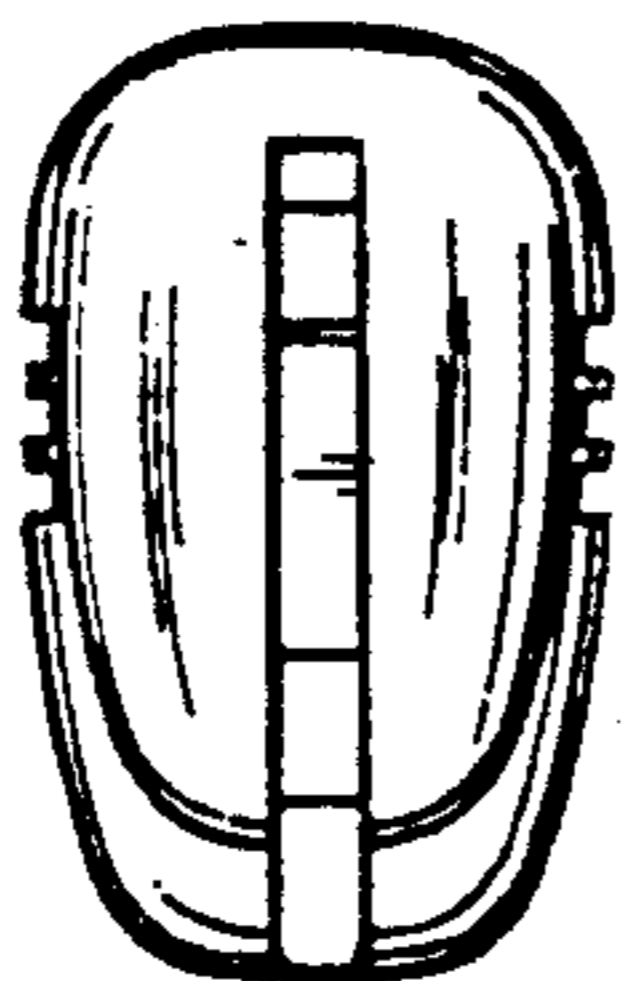
*Fig. 3*



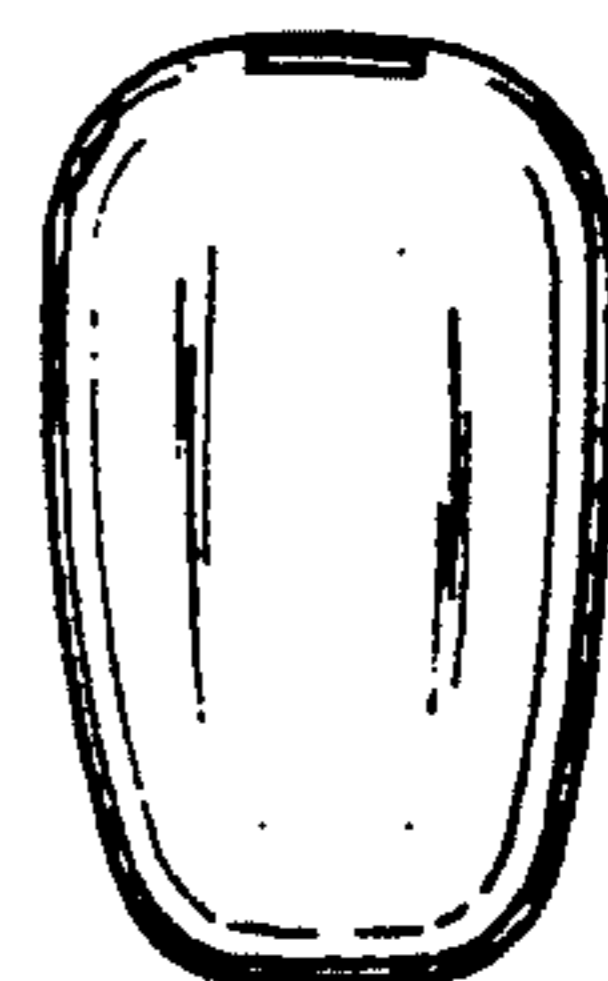
*Fig. 4*



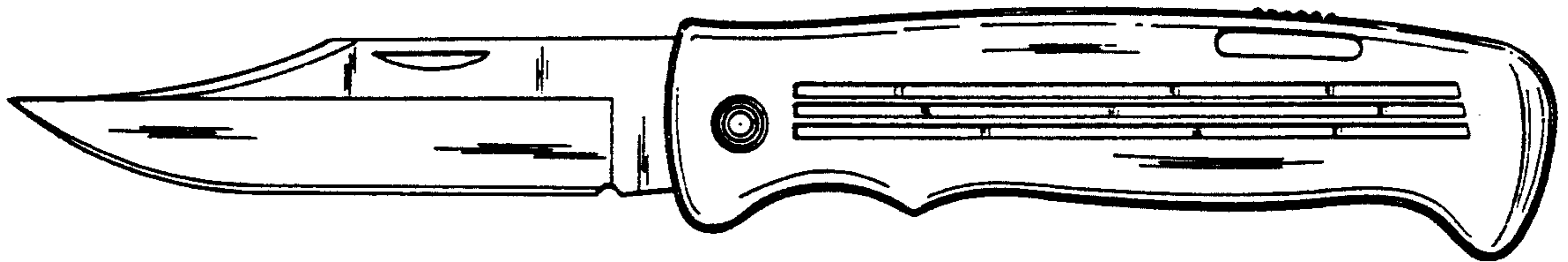
*Fig. 5*



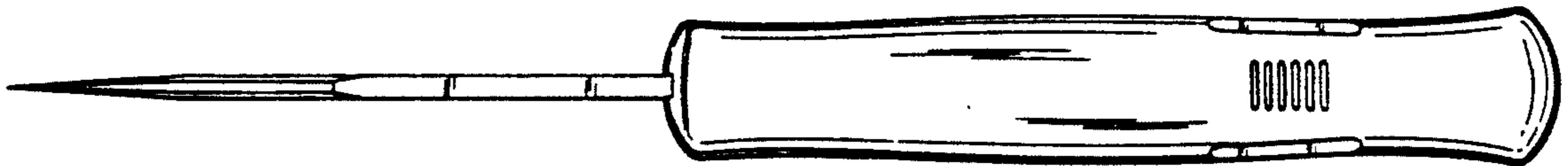
*Fig. 6*



*Fig. 7*



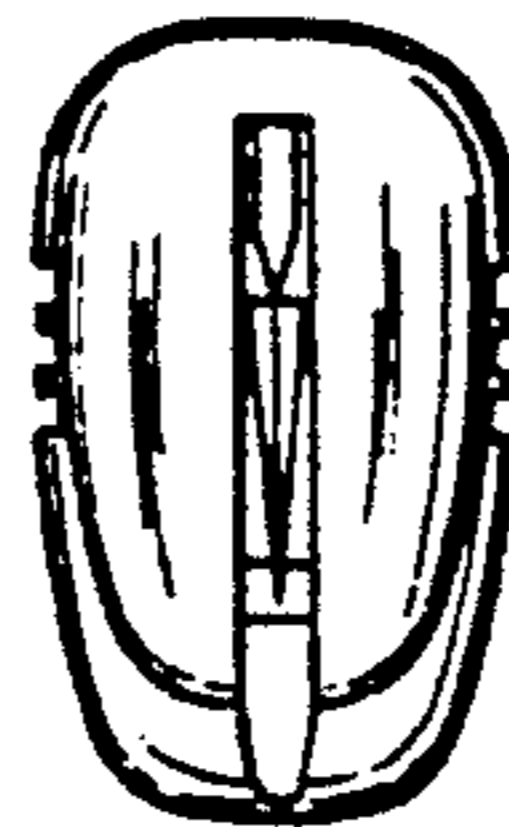
*Fig. 9*

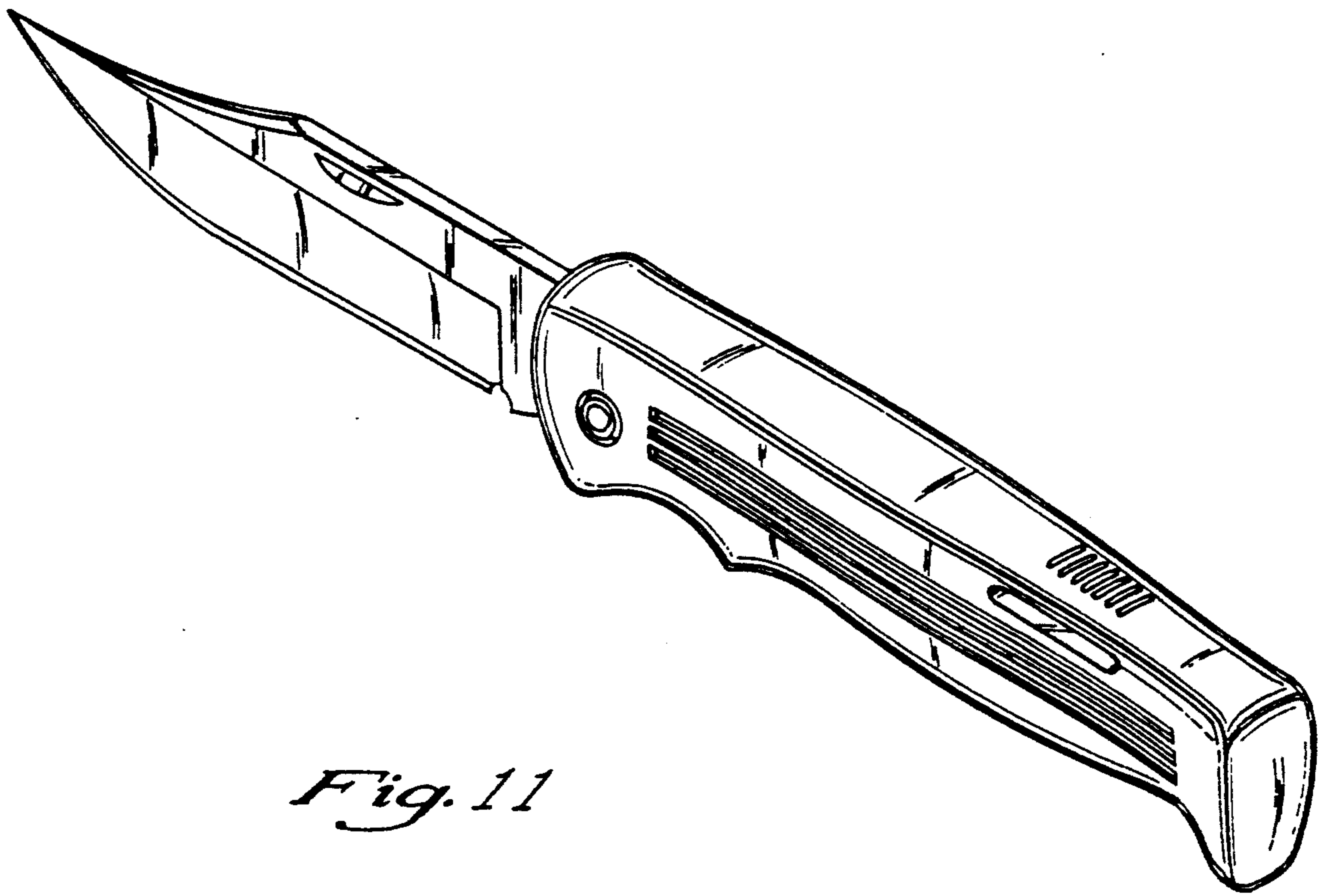


*Fig. 10*



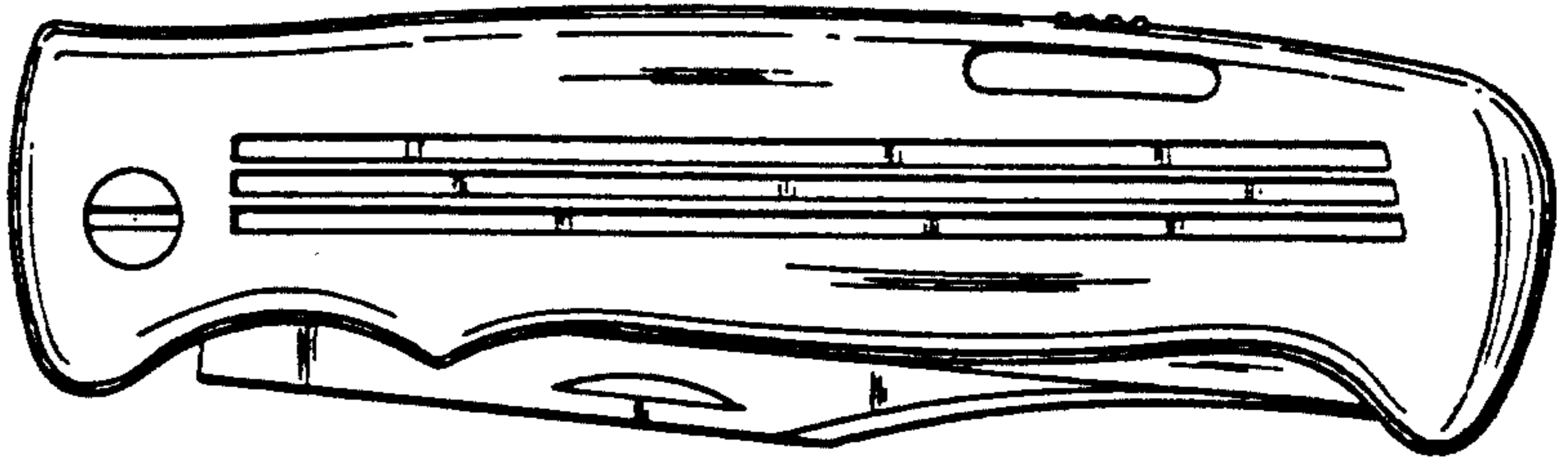
*Fig. 8*



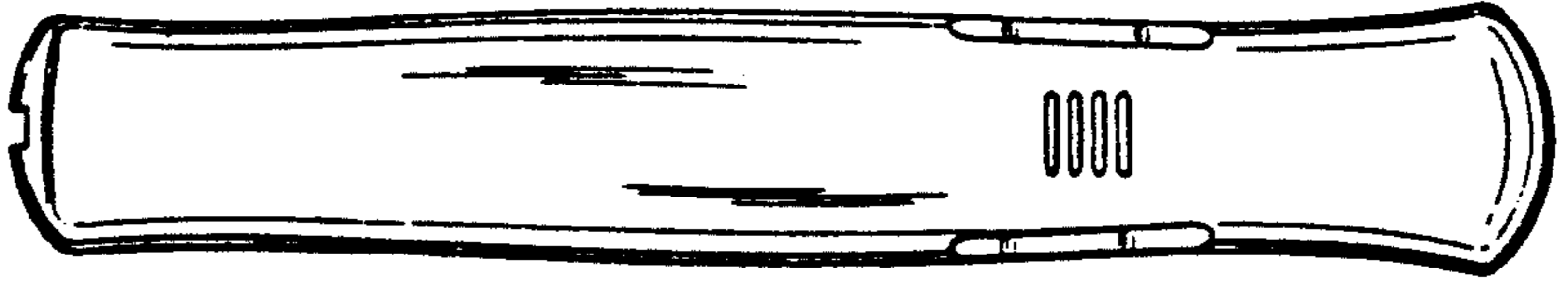


*Fig. 11*

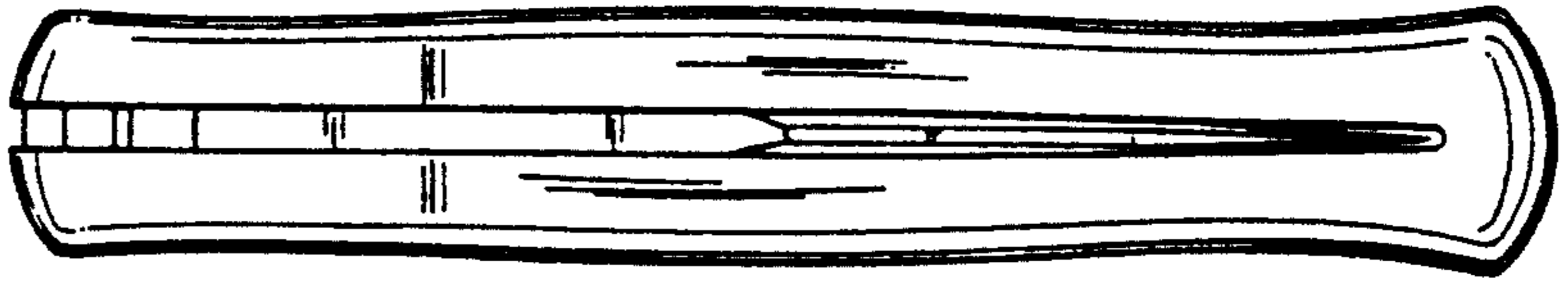
*Fig. 12*



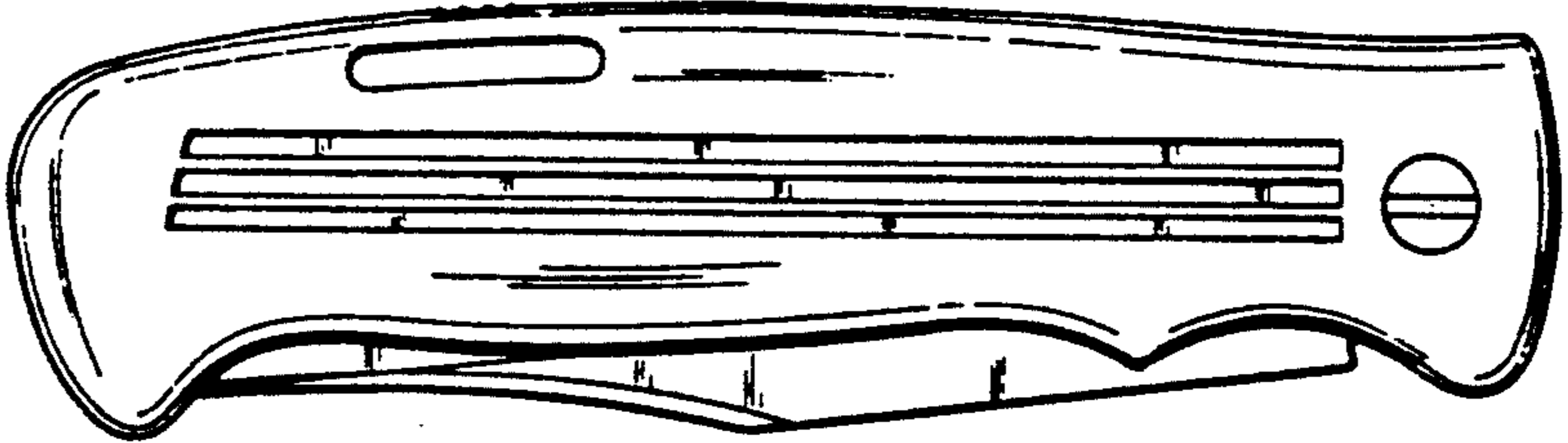
*Fig. 13*



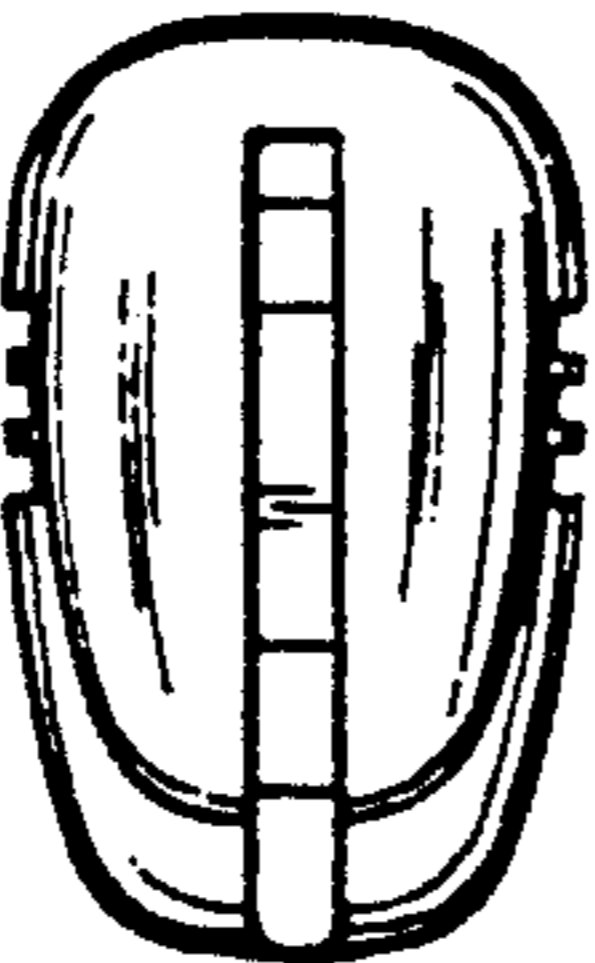
*Fig. 14*



*Fig. 15*



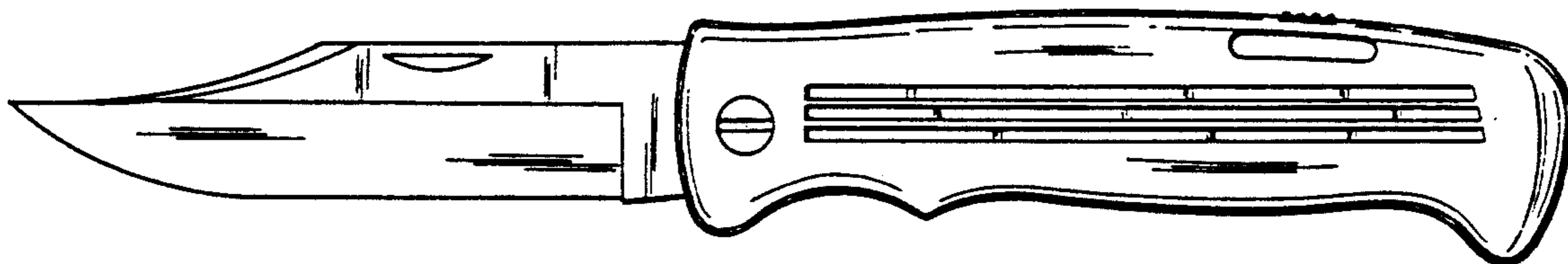
*Fig. 16*



*Fig. 17*



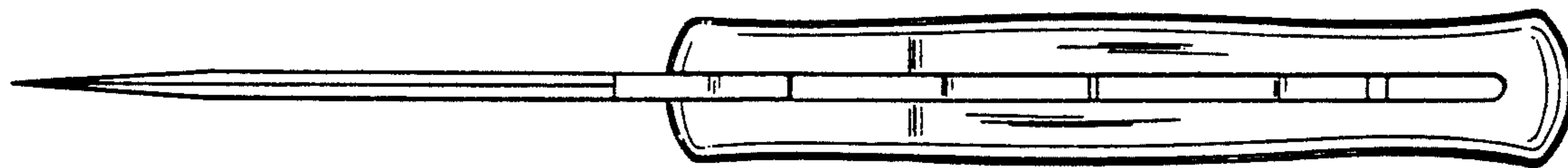
*Fig. 18*



*Fig. 20*

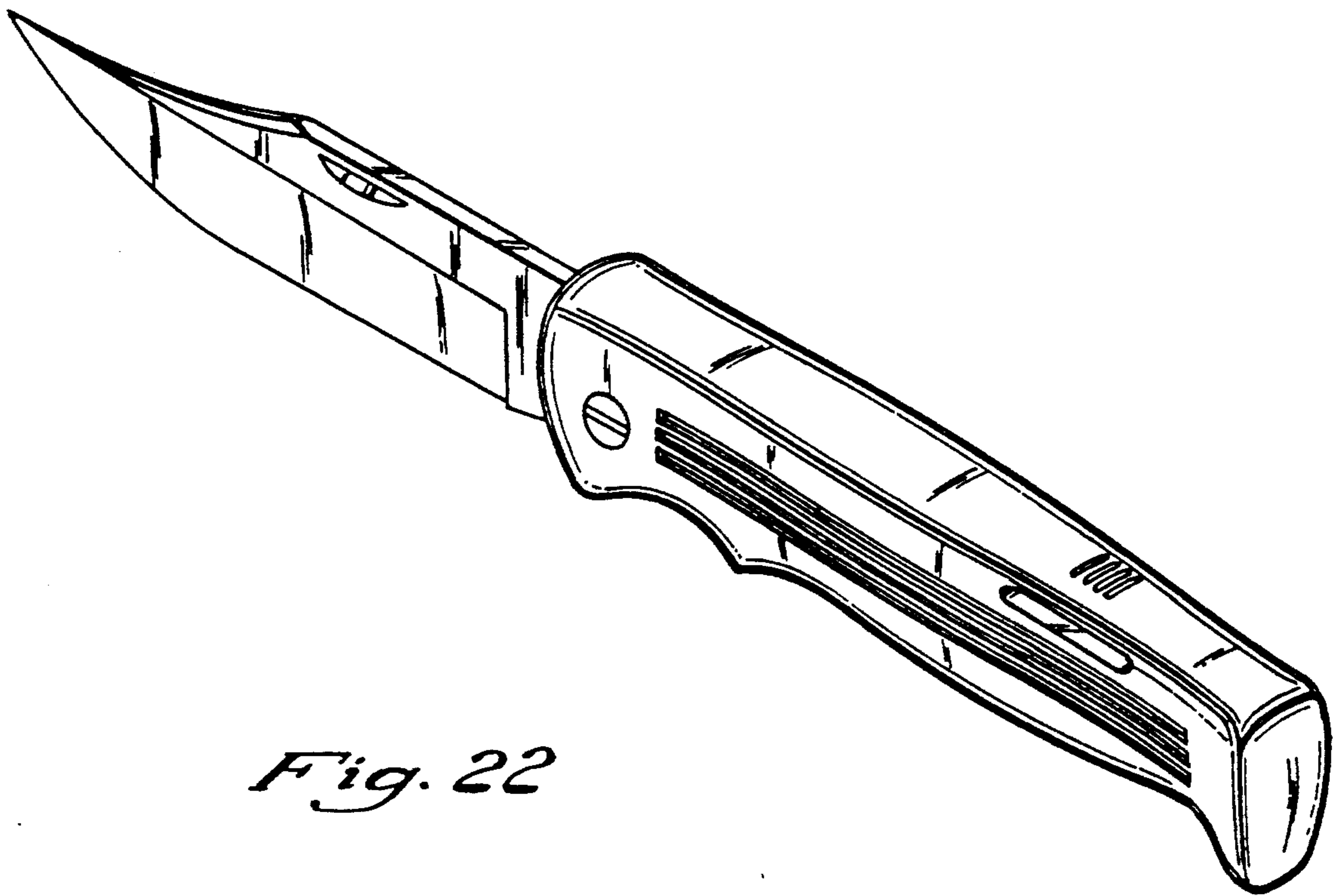


*Fig 21*



*Fig. 19*





*Fig. 22*