



US00D348816S

United States Patent [19]

[11] Patent Number: **Des. 348,816**

Degen

[45] Date of Patent: **** Jul. 19, 1994**

[54] **C-CLAMP**

D. 342,659 12/1993 Glynn D8/73
4,747,590 5/1988 Yang D8/73 X

[75] Inventor: **Klemens Degen, Weibern, Fed. Rep. of Germany**

Primary Examiner—Alan P. Douglas
Assistant Examiner—Jeffry H. Musgrove
Attorney, Agent, or Firm—Antonelli, Terry, Stout & Kraus

[73] Assignee: **Wolcraft GmbH, Weibern, Fed. Rep. of Germany**

[**] Term: **14 Years**

[57] **CLAIM**

[21] Appl. No.: **7,588**

The ornamental design for a C-clamp, as shown.

[22] Filed: **Apr. 28, 1993**

DESCRIPTION

[52] U.S. Cl. **D8/73**

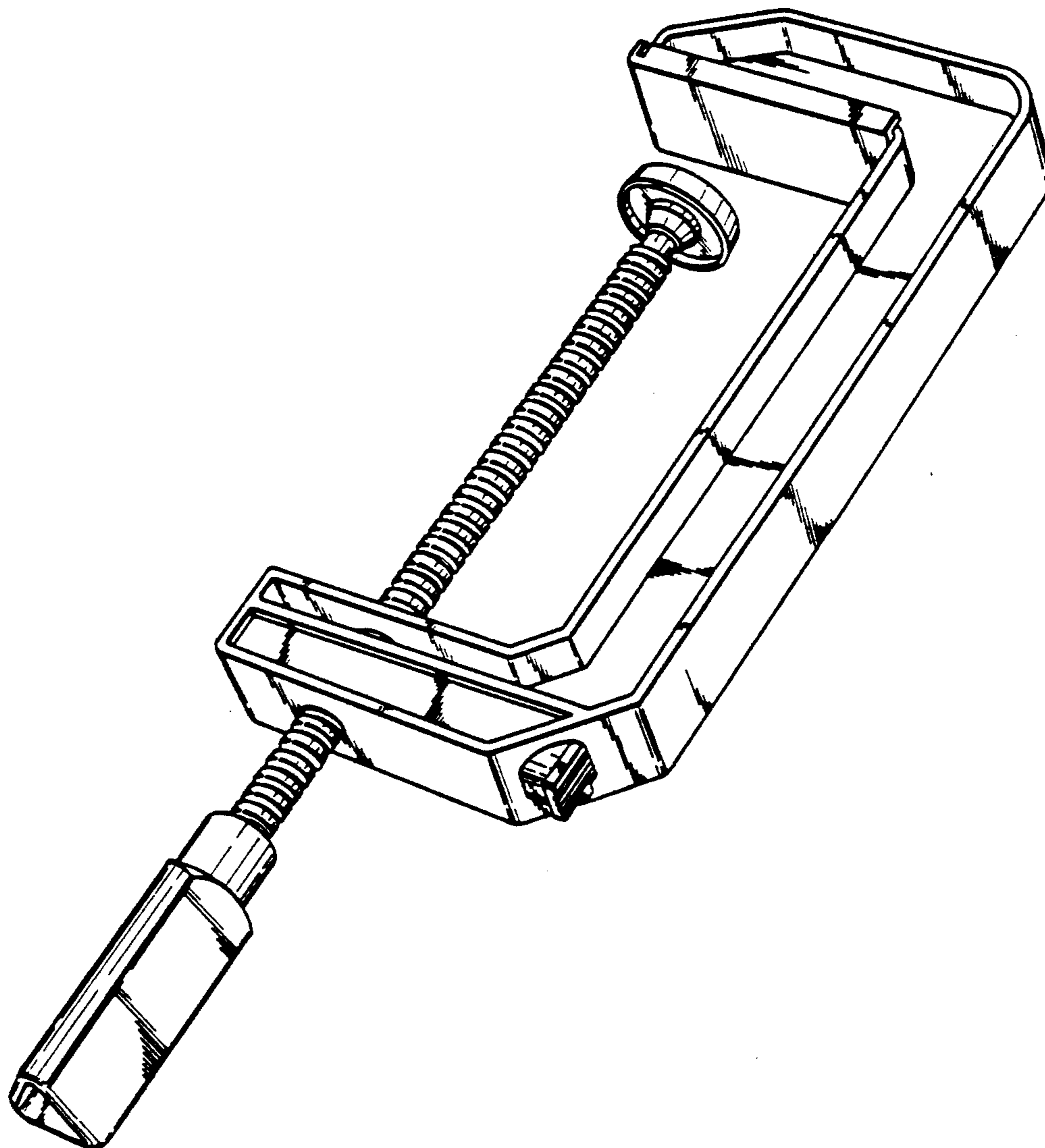
[58] Field of Search D8/72, 73, 74; 269/41, 269/152, 155, 249, 97, 98, 153

FIG. 1 is a bottom and side elevational perspective view of a C-clamp showing my new design; FIG. 2 is a right side elevational view thereof; FIG. 3 is a front plan elevational view thereof; FIG. 4 is a left side elevational view thereof; FIG. 5 is a rear plan view thereof; FIG. 6 is a top plan view thereof; and, FIG. 7 is a bottom plan view thereof.

[56] **References Cited**

U.S. PATENT DOCUMENTS

D. 296,515 7/1988 Cors D8/73
D. 331,529 12/1992 Reinklou D8/73



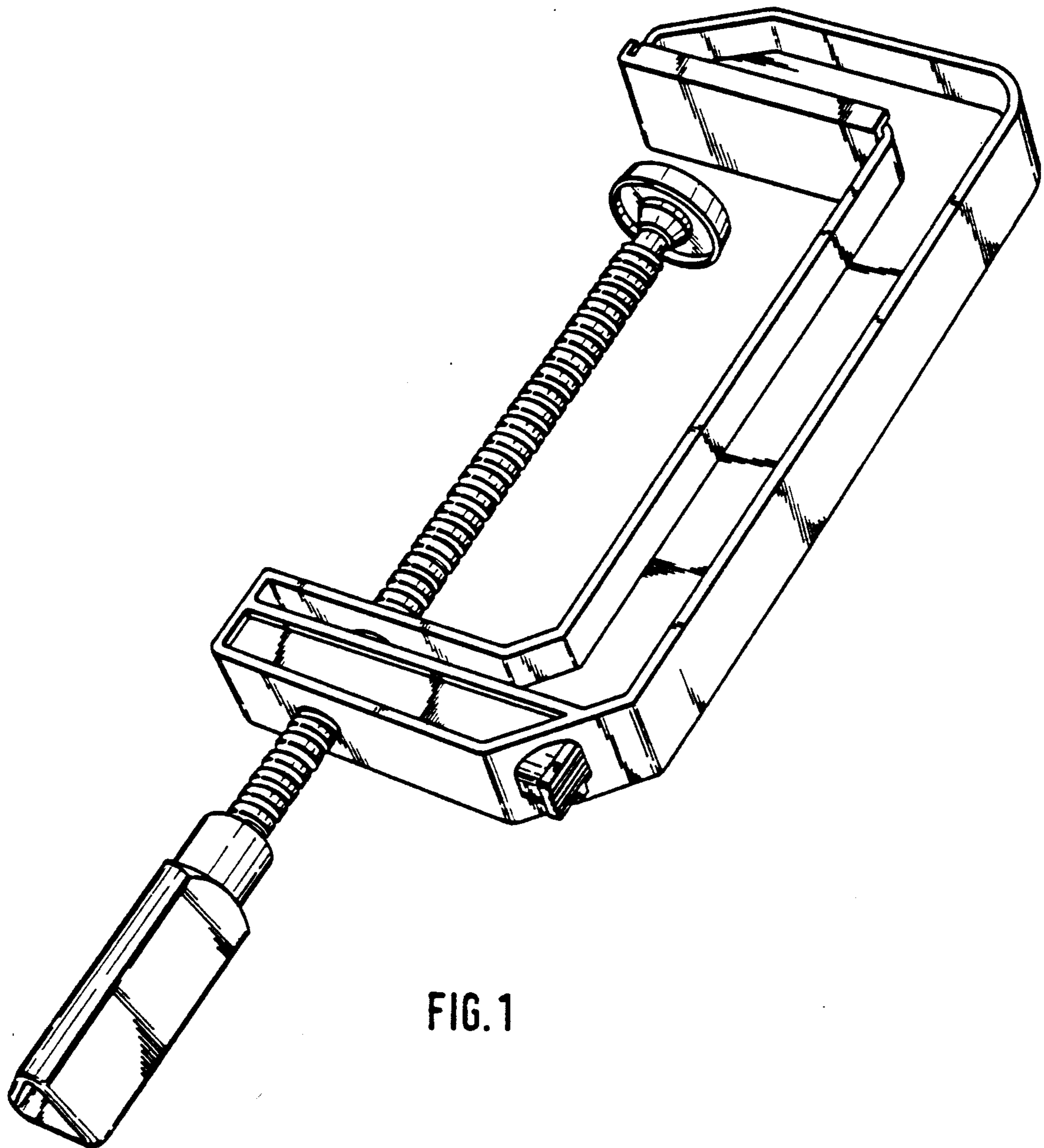


FIG. 1

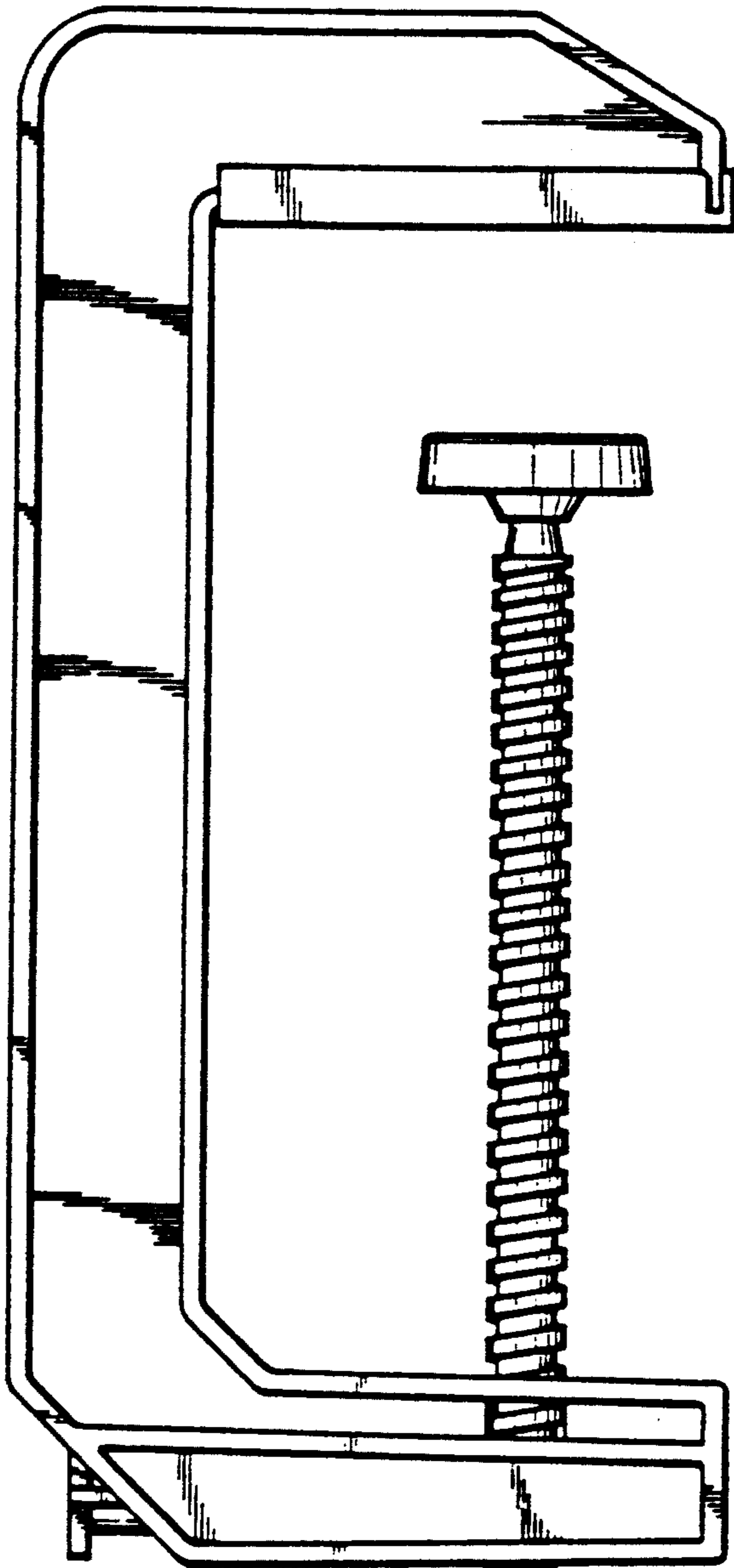


FIG. 2

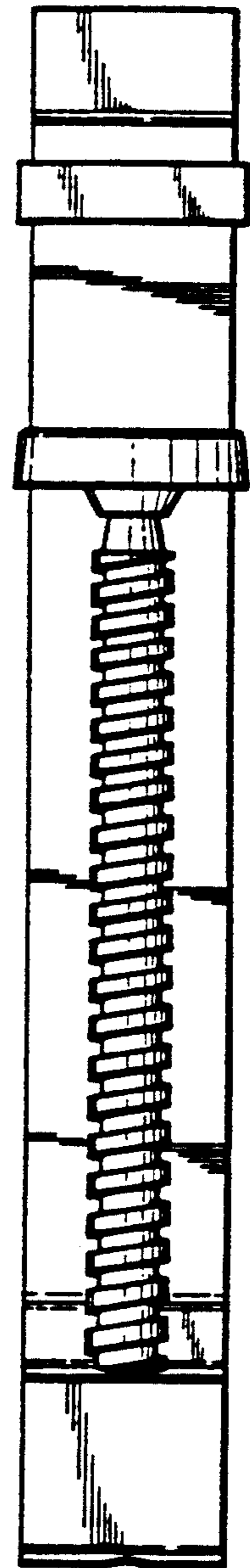


FIG. 3



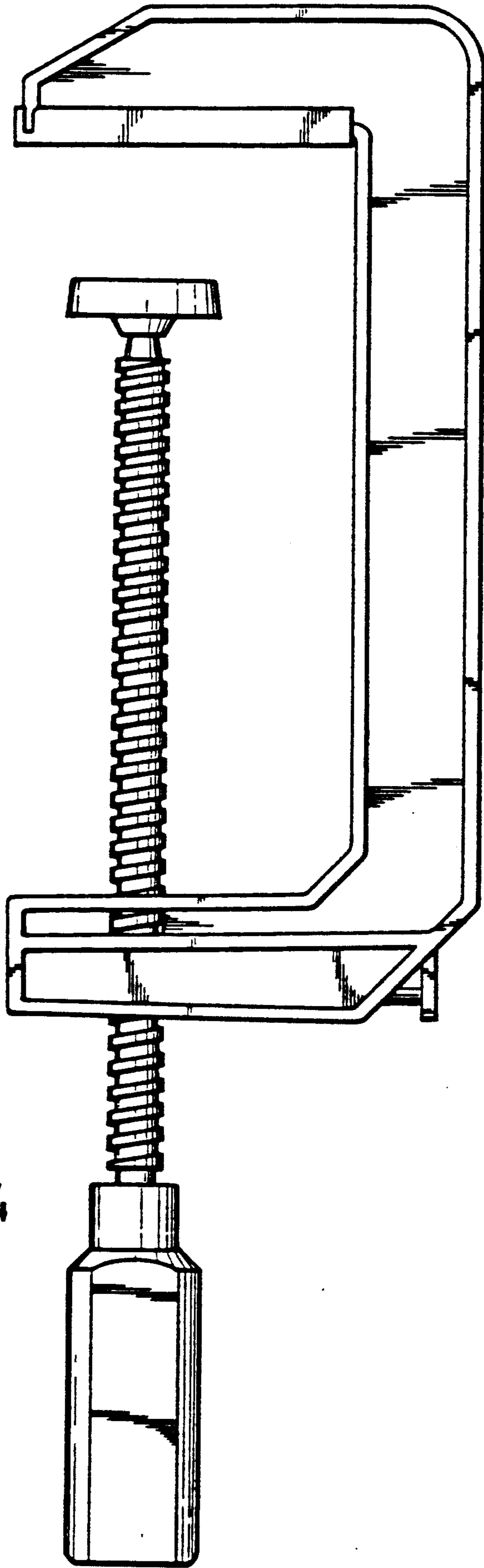


FIG. 4

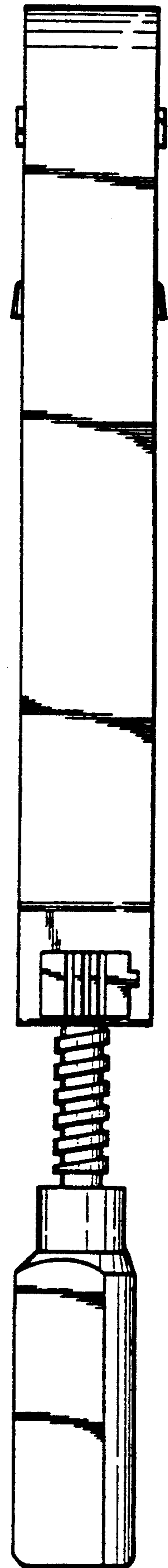


FIG. 5

FIG. 6

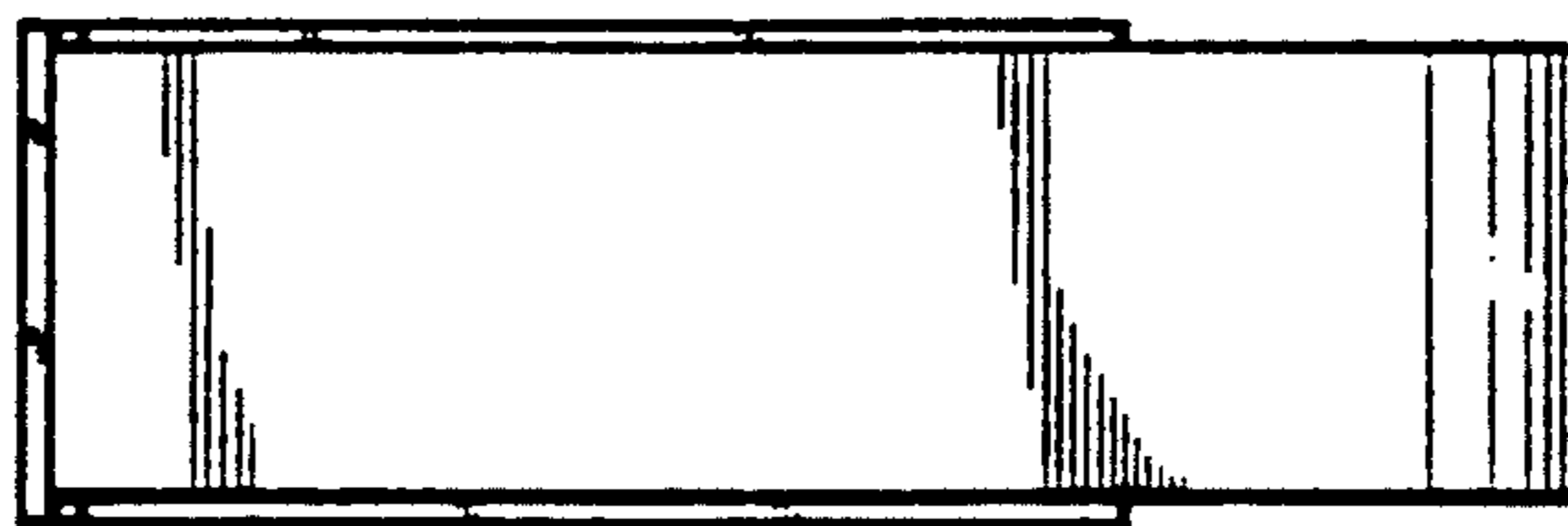


FIG. 7

