



US00D348813S

# United States Patent [19]

[11] Patent Number: Des. 348,813

Klein

[45] Date of Patent: \*\* Jul. 19, 1994

[54] CAN OPENER

[75] Inventor: Gary A. Klein, Prairie Village, Kans.

[73] Assignee: The Rival Company, Kansas City, Mo.

[\*\*] Term: 14 Years

[21] Appl. No.: 724

[22] Filed: Oct. 22, 1992

[52] U.S. Cl. .... D8/36

[58] Field of Search ..... D8/18, 33-36, D8/38, 40-43, 105; 81/3.35, 3.4, 3.57, 3.09, 3.07, 3.42, 3.45, 3.2; 7/152, 154-156; 30/123, 416, 426, 443, 450

3,673,682	7/1972	Yamamoto .
3,675,321	7/1972	Arel et al. .
3,706,135	12/1972	Fukunaga et al. .
3,765,085	10/1973	Ponczek et al. .
3,858,313	1/1975	Yamaguchi .
3,911,571	10/1975	Ponczek et al. .
3,942,247	3/1976	Ponczek et al. .
3,955,276	5/1976	Pauty .
4,028,805	6/1977	Figlia .
4,207,676	6/1980	Okumura .
4,534,108	8/1985	Yamamoto et al. .
4,561,182	12/1985	Yamamoto et al. .
4,733,472	3/1988	Belcourt .
4,831,735	5/1989	Bast et al. .
4,922,617	5/1990	Kurz .
4,995,164	2/1991	Borger et al. .

[56] References Cited

U.S. PATENT DOCUMENTS

D. 202,268	9/1965	Reed .....	D8/36
D. 219,200	11/1970	McCue .....	D8/35
D. 229,603	12/1973	Eckel .....	D8/36
D. 276,406	11/1984	Johnson et al. .	
D. 306,548	3/1990	Mezey .....	D8/36
2,204,368	6/1940	Kublin .	
2,896,319	7/1959	Pinette .	
2,979,815	4/1961	Rohde et al. .	
2,997,785	8/1961	Pinette .	
3,079,683	3/1963	Carew et al. .	
3,105,297	10/1963	Clowers .	
3,156,044	11/1964	Congdon et al. .	
3,176,063	3/1965	Jepson et al. .	
3,216,108	11/1965	Jepson et al. .	
3,254,406	6/1966	Hubrich .	
3,307,255	3/1967	Hubrich .	
3,313,023	4/1967	Jepson et al. .	
3,348,305	10/1967	Bielak .	
3,360,853	1/1968	Chambers et al. .	
3,376,671	4/1968	Wolter .	
3,477,263	11/1969	Jepson et al. .	
3,520,056	7/1970	Scott .	
3,585,717	6/1971	Bielak et al. .	

FOREIGN PATENT DOCUMENTS

3048063 7/1982 Fed. Rep. of Germany .

OTHER PUBLICATIONS

Hong Kong Enterprise Dec. 1980 "Tall-E-328", p. 35.  
Home Furnishings Daily Jun. 21, 1973 p. 13.

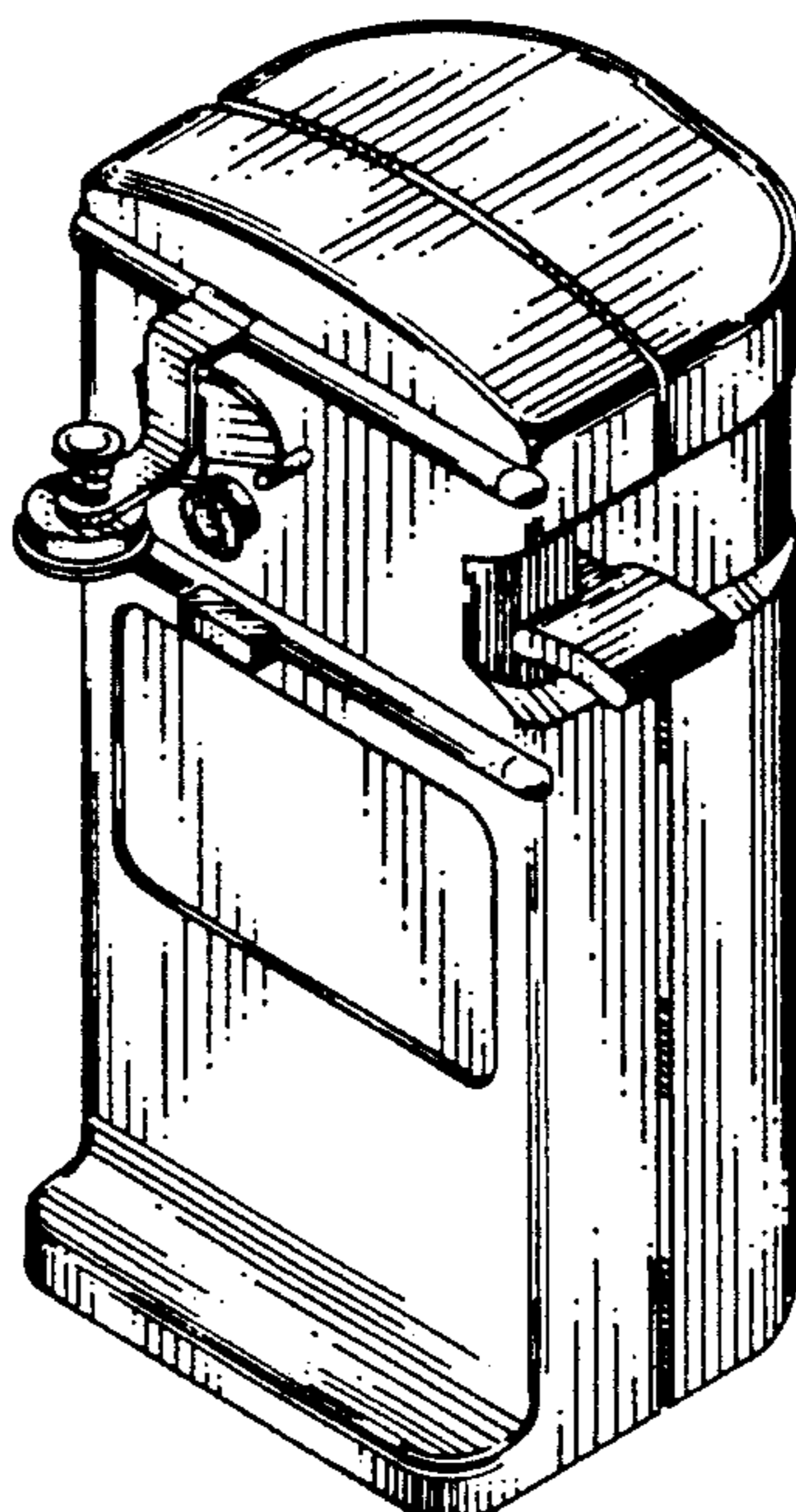
Primary Examiner—Bernard Ansher  
Assistant Examiner—R. Barkai  
Attorney, Agent, or Firm—Willian Brinks Hofer Gilson & Lione

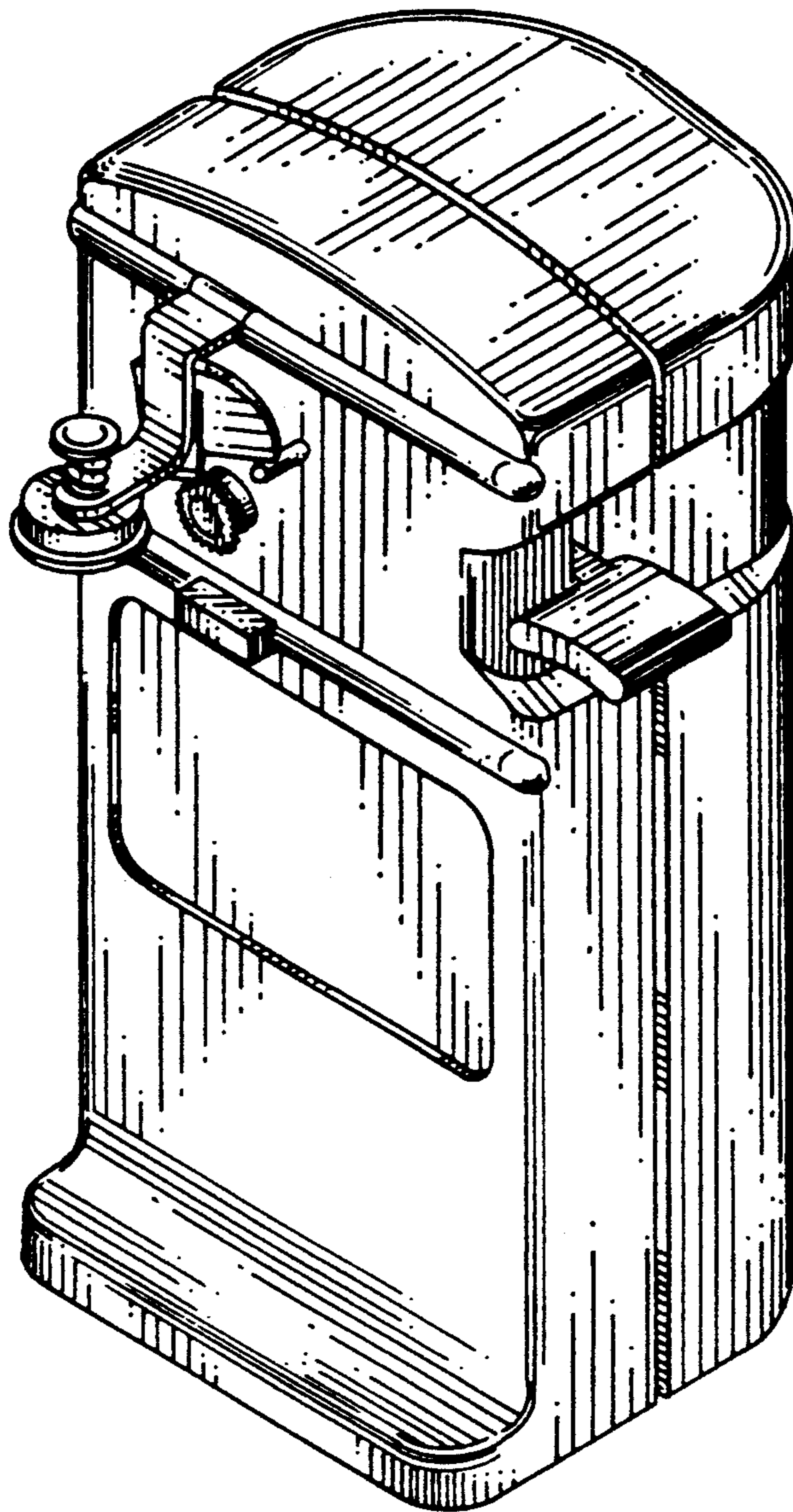
[57] CLAIM

The ornamental design for a can opener, as shown.

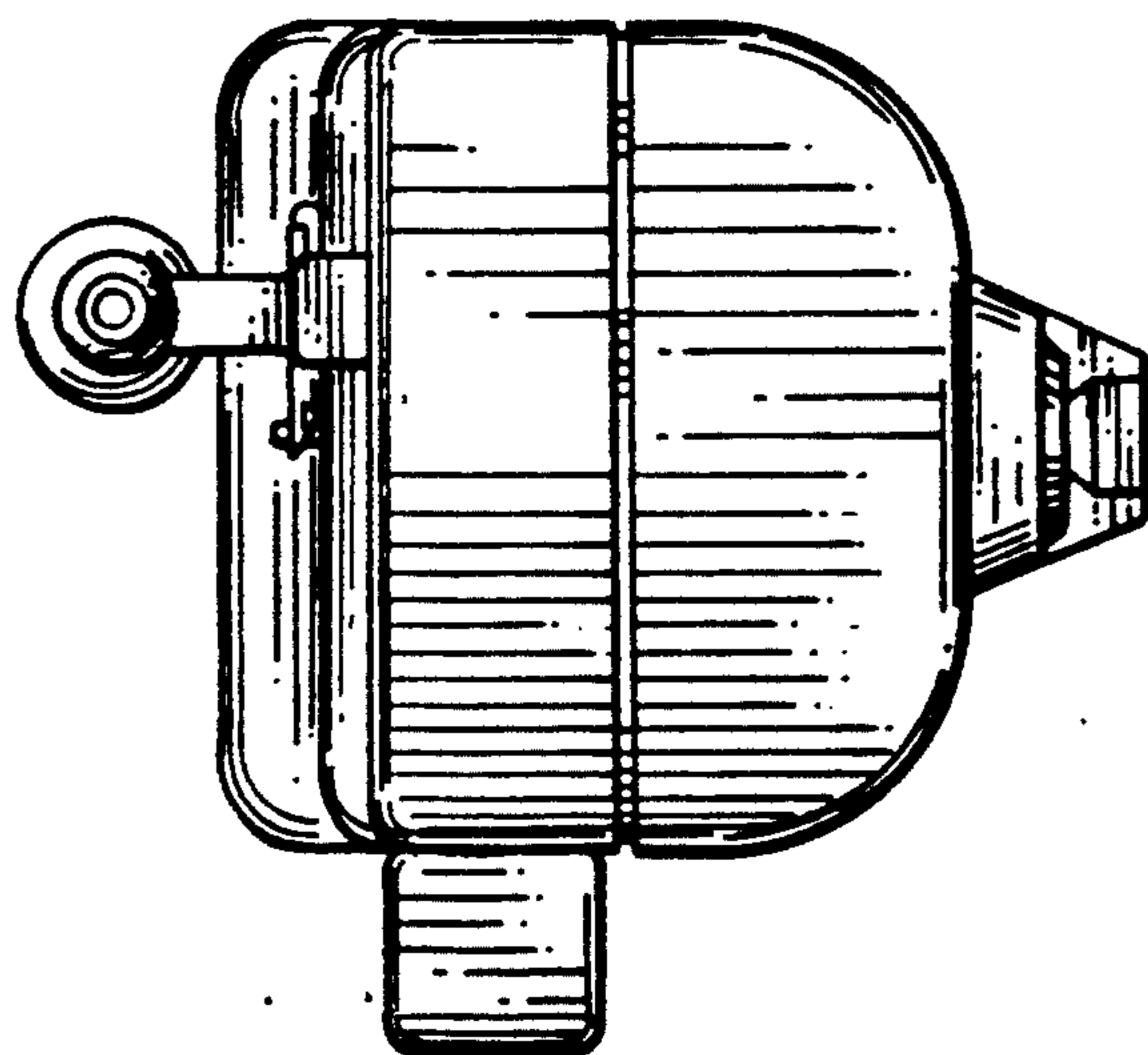
DESCRIPTION

FIG. 1 is a perspective view of a can opener showing our new design;  
FIG. 2 is a top view thereof;  
FIG. 3 is a bottom view thereof;  
Fig. 4 is a front view thereof;  
FIG. 5 is a right side view thereof;  
FIG. 6 is a rear view thereof; and,  
FIG. 7 is a left side view thereof.

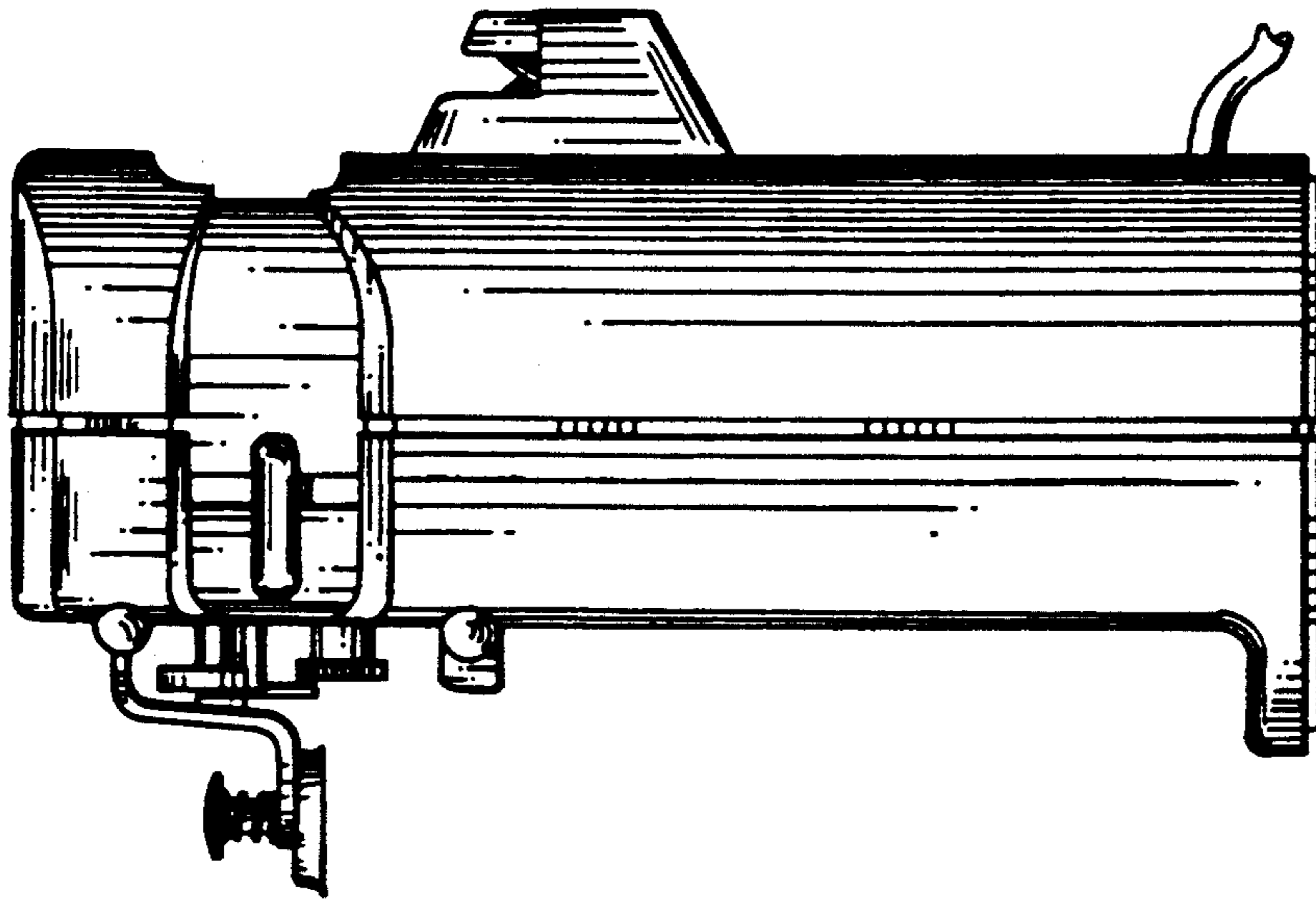




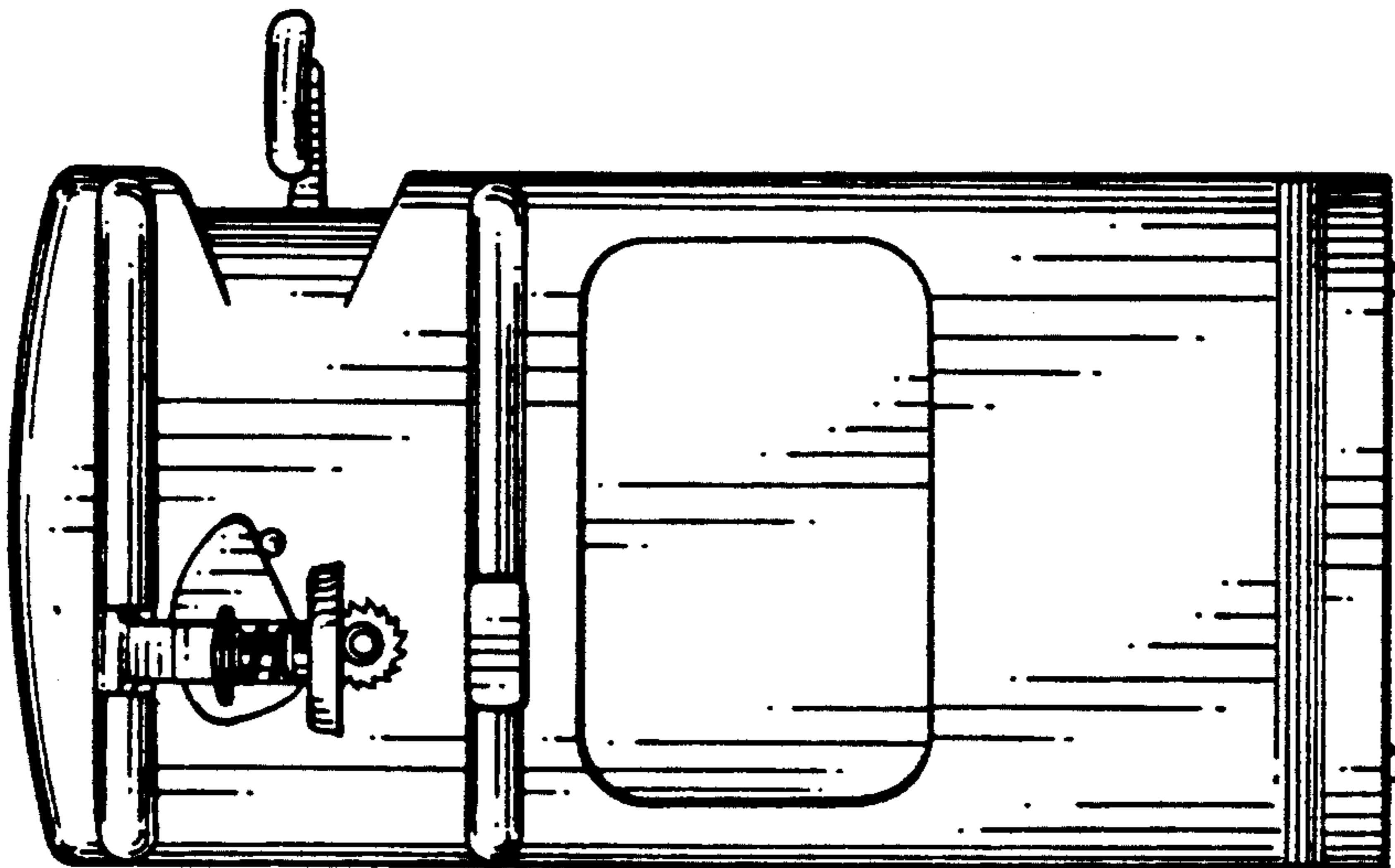
*Fig. 1*



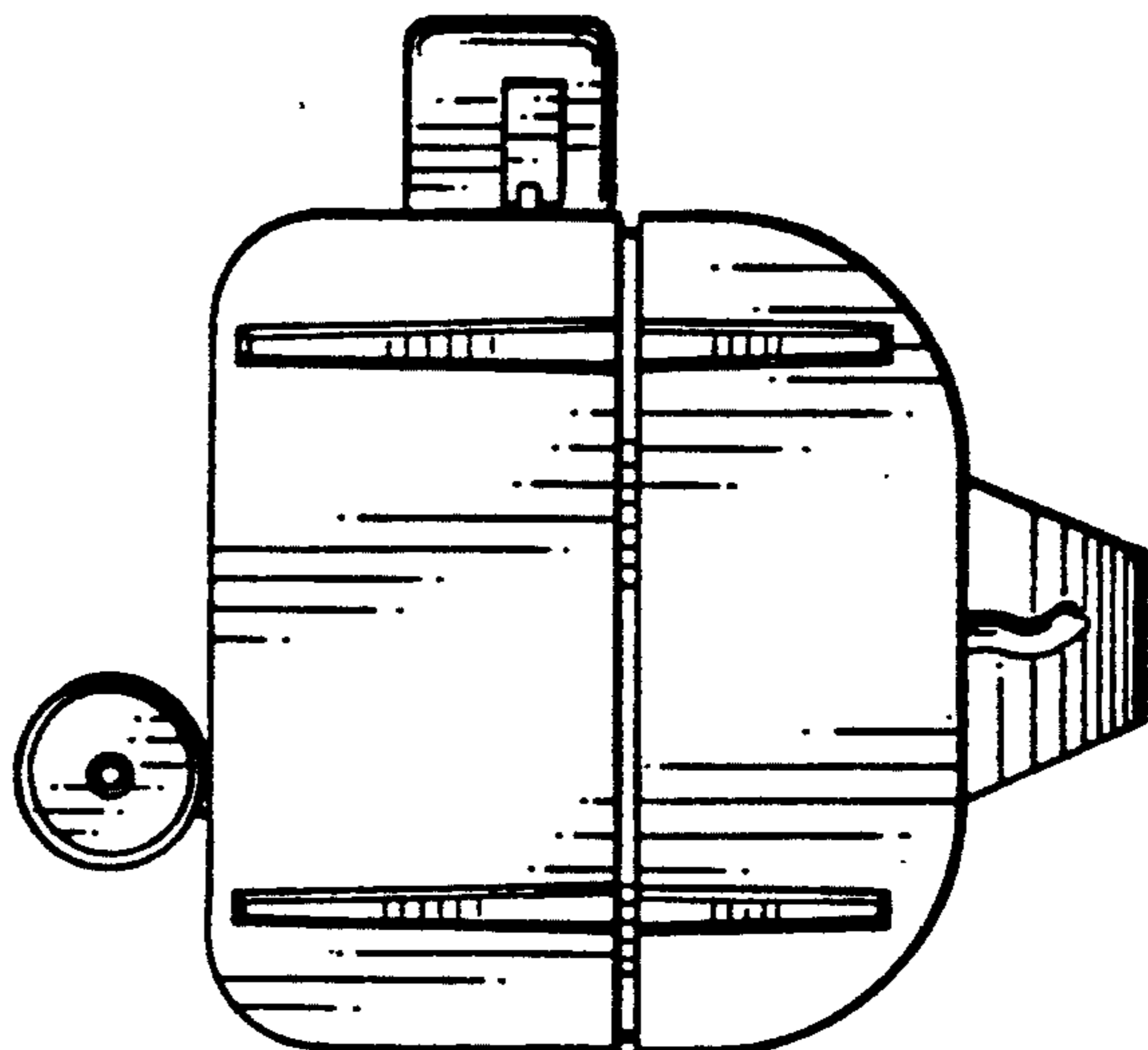
*Fig. 2*



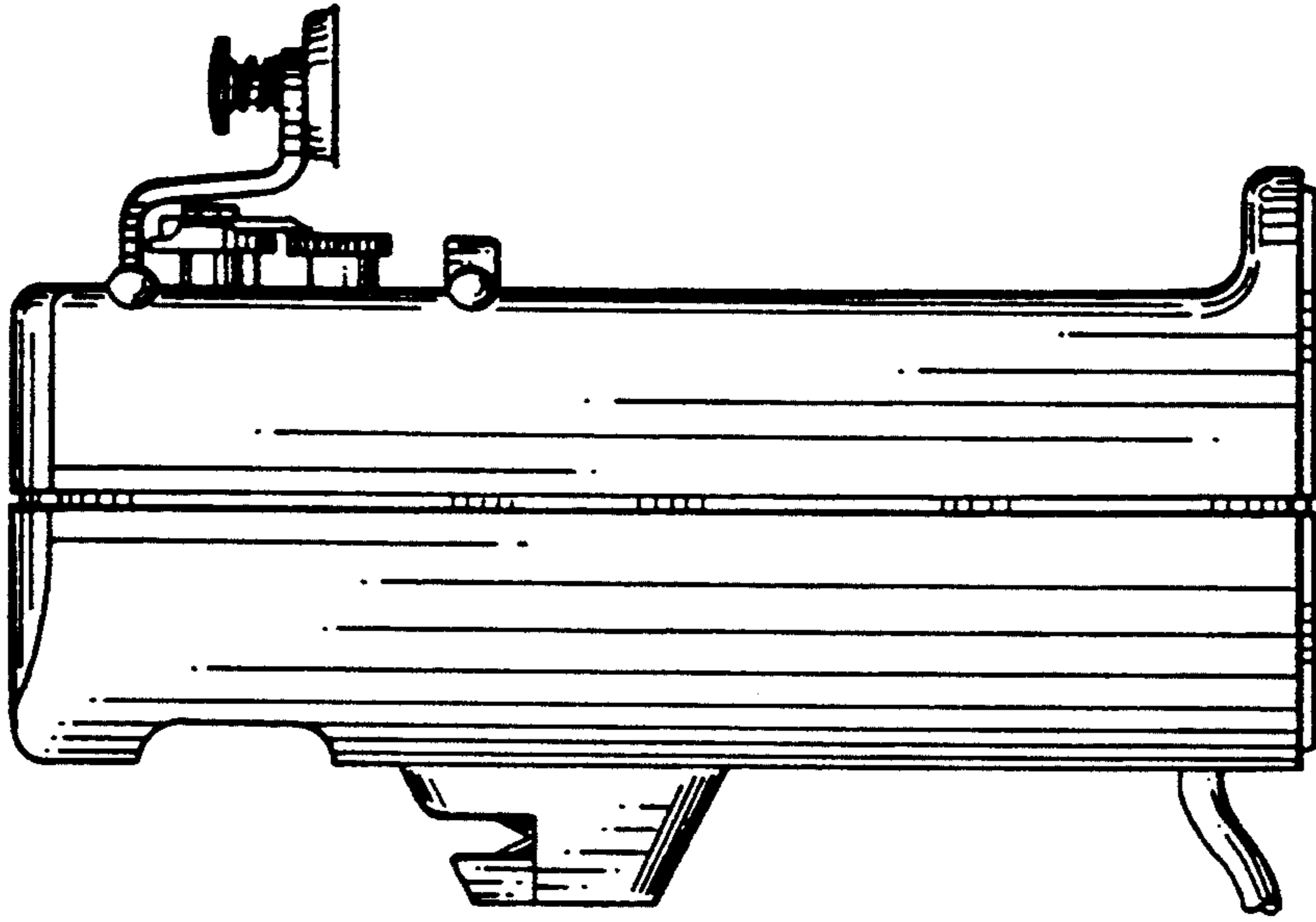
*Fig. 5*



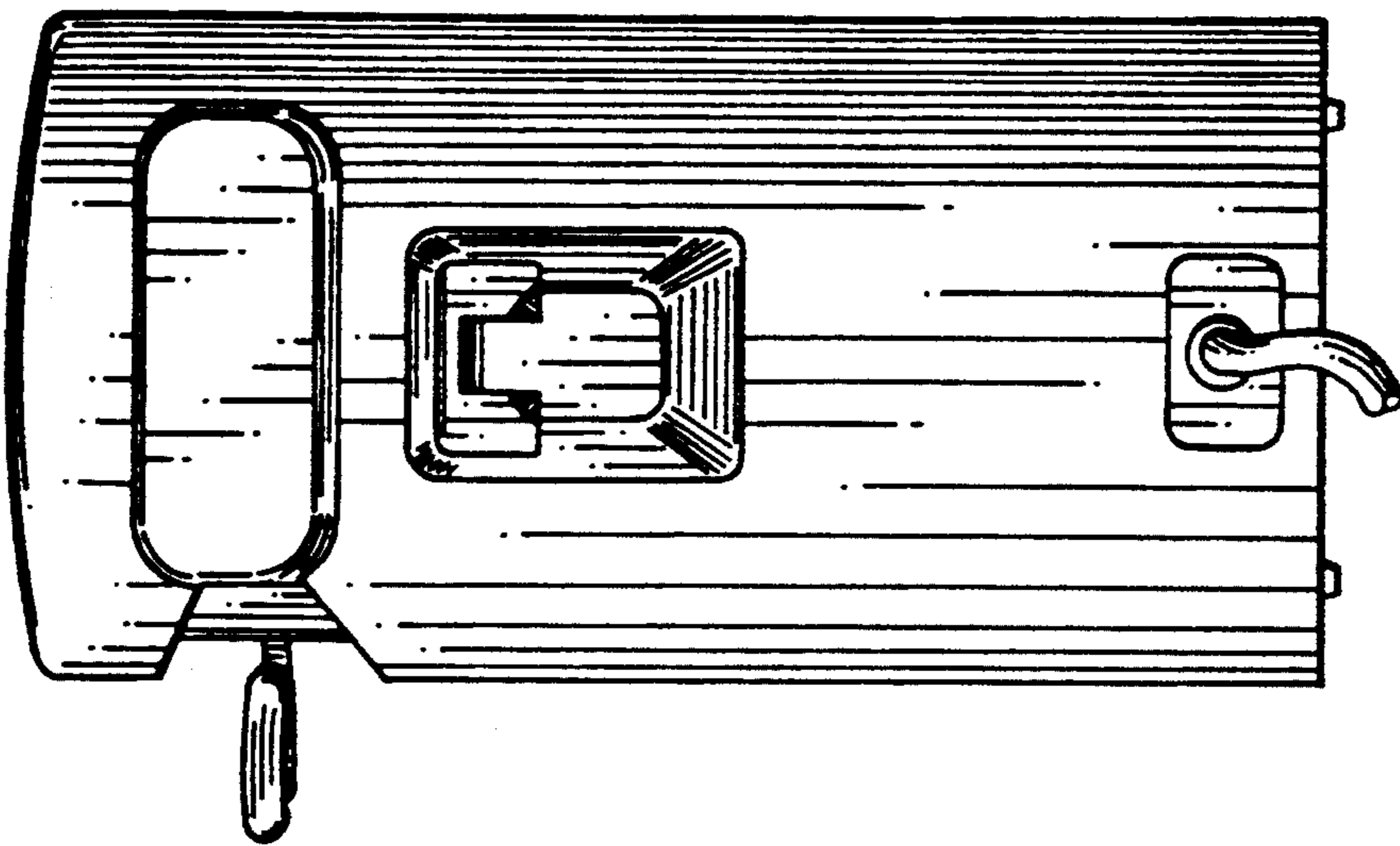
*Fig. 4*



*Fig. 3*



*Fig. 7*



*Fig. 6*

UNITED STATES PATENT AND TRADEMARK OFFICE  
**CERTIFICATE OF CORRECTION**

PATENT NO. : Des. 348,813  
DATED : July 19, 1994  
INVENTOR(S) : Gary A. Klein

It is certified that error appears in the above-identified patent and that said Letters Patent is hereby corrected as shown below:

ON THE TITLE PAGE

In column 2, line 5, under "DESCRIPTION" delete "Fig." and substitute --FIG.--.

In column 2, line 7, under "DESCRIPTION" after "and" delete --,--.

Signed and Sealed this  
Twenty-eight Day of February, 1995

Attest:



BRUCE LEHMAN

Attesting Officer

Commissioner of Patents and Trademarks