



US00D348801S

United States Patent [19]

Romano

[11] Patent Number: **Des. 348,801**

[45] Date of Patent: **** Jul. 19, 1994**

- [54] **FRAME FOR SUPPORTING AND DISPLAYING FOOD TRAYS**
- [76] Inventor: **Kathleen Romano**, 43 Second Ave., Secaucus, N.J. 07994
- [**] Term: **14 Years**
- [21] Appl. No.: **548**
- [22] Filed: **Oct. 19, 1992**
- [52] U.S. Cl. **D7/402**
- [58] Field of Search **D7/550, 543, 407-409, D7/362-367; 219/432, 458; 99/444, 446, 425; 126/41 R, 41 D, 41 E, 14; D6/509, 510**

- 4,922,079 5/1990 Bowen et al. 219/432
- 4,942,862 7/1990 Alden et al. 126/41 R
- 5,203,257 4/1993 Goad 126/33

Primary Examiner—Ruth McInroy
Attorney, Agent, or Firm—Anthony F. Cuoco

[57] CLAIM

The ornamental design for a frame for supporting and displaying food trays, as shown and described.

DESCRIPTION

FIG. 1 is a perspective view of a frame for supporting and displaying food tray showing my new design;
 FIG. 2 is a top plan view thereof;
 FIG. 3 is an elevational view of one end thereof;
 FIG. 4 is a side elevational view, with the other side appearing as a mirror image thereof;
 FIG. 5 is an elevational view of the other end thereof;
 and,
 FIG. 6 is a bottom plan view thereof.

[56] References Cited

U.S. PATENT DOCUMENTS

- 2,679,841 6/1954 Muckler 126/33
- 3,602,691 8/1971 Frazier 219/447
- 4,598,634 7/1986 Van Han, II 99/425
- 4,920,873 5/1990 Stevens D7/366

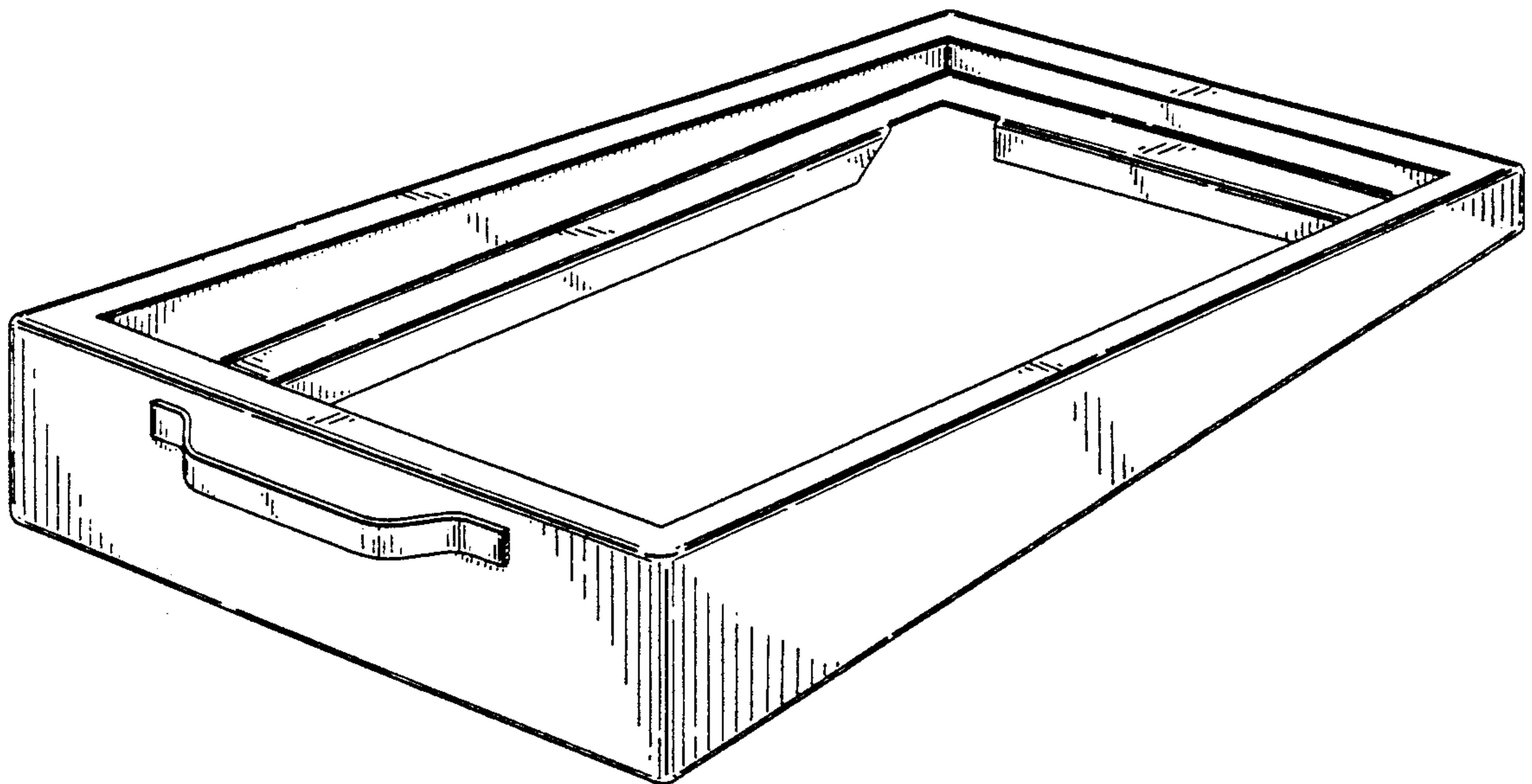


FIG-1

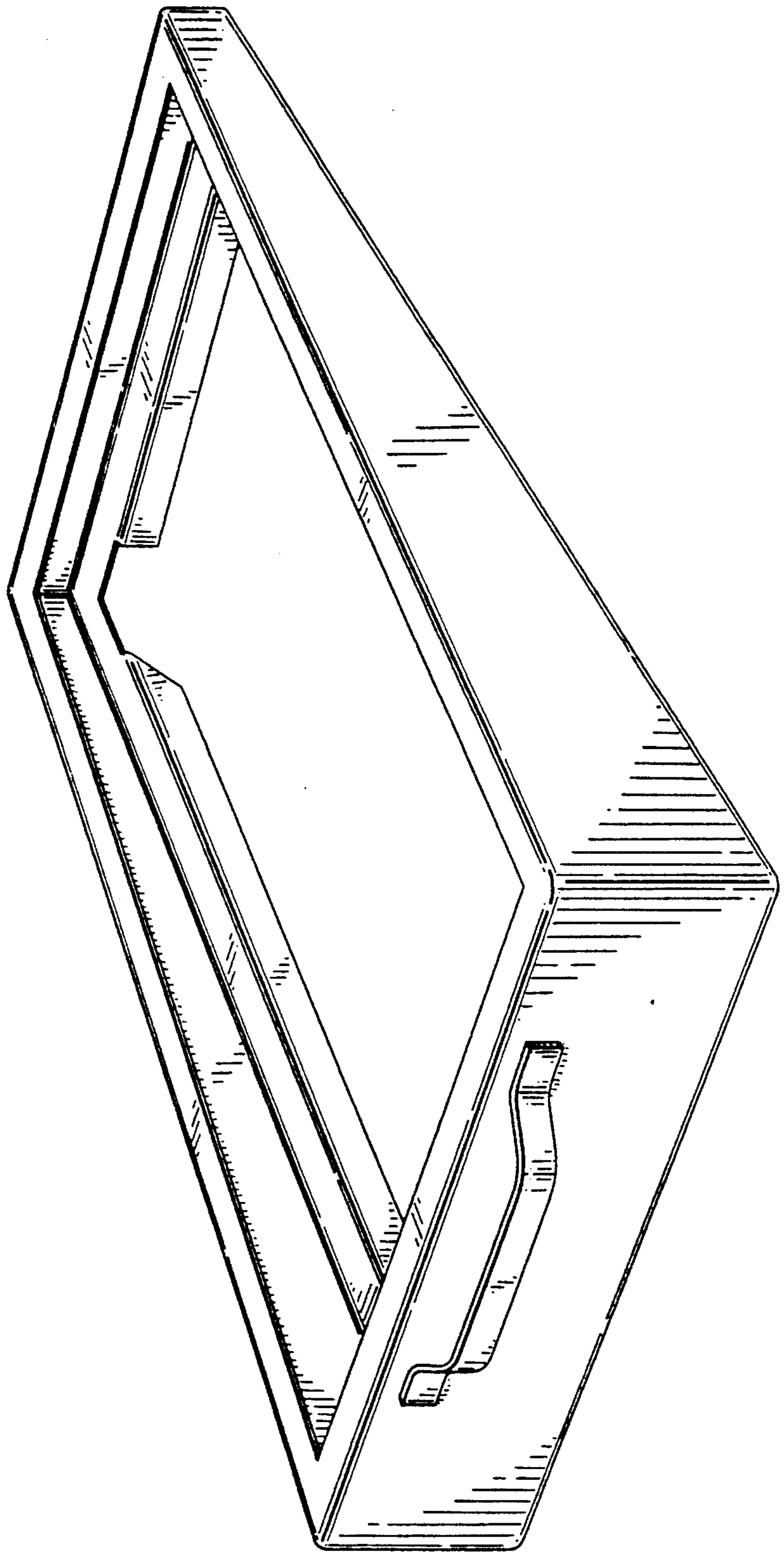


FIG-2

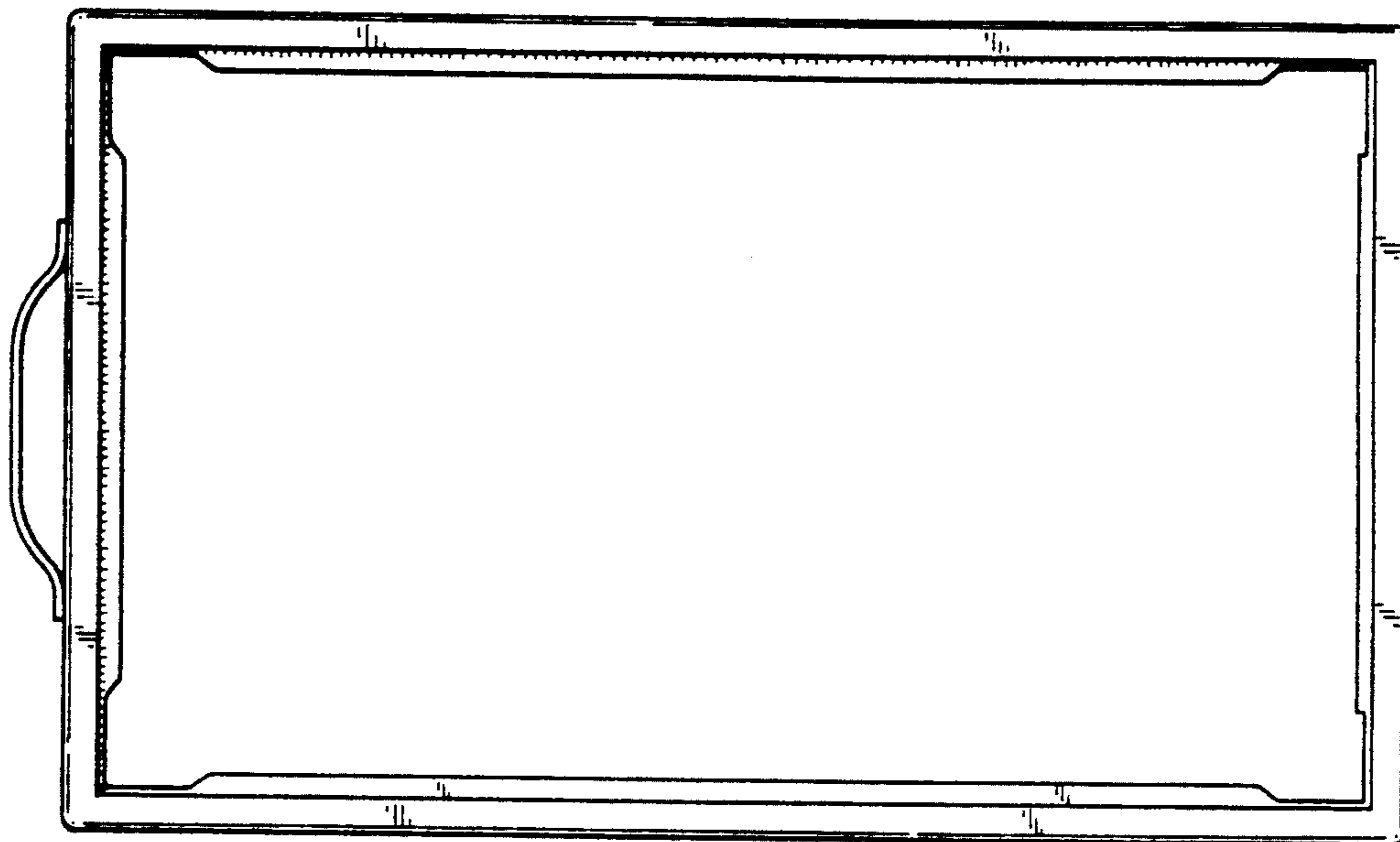


FIG-3

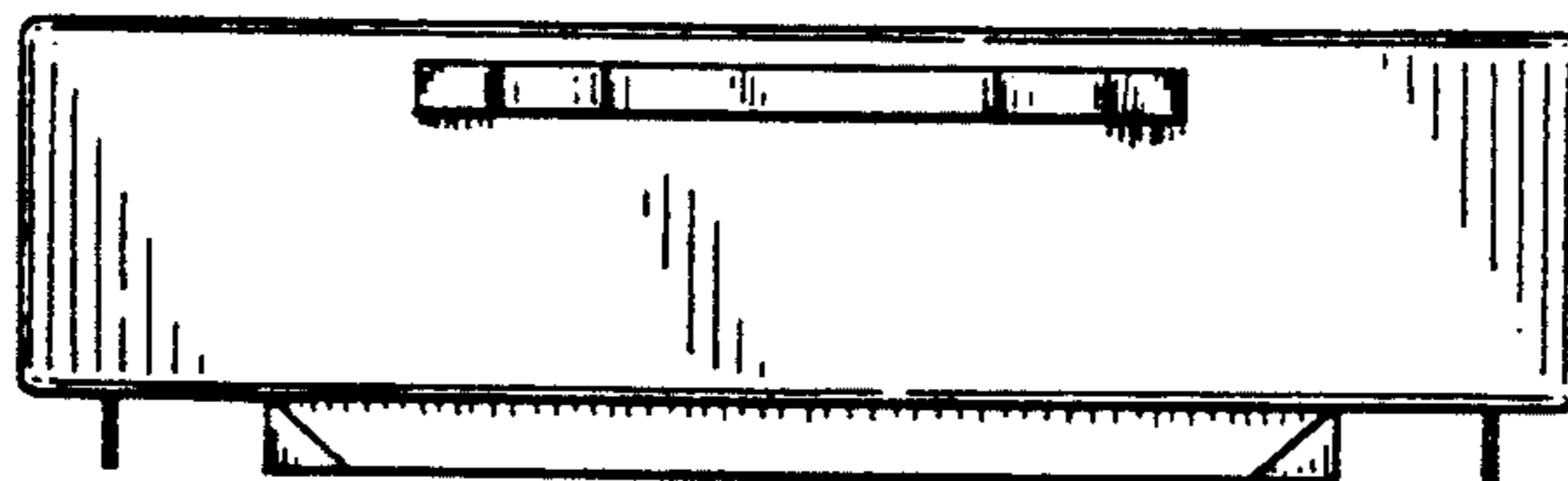


FIG-4

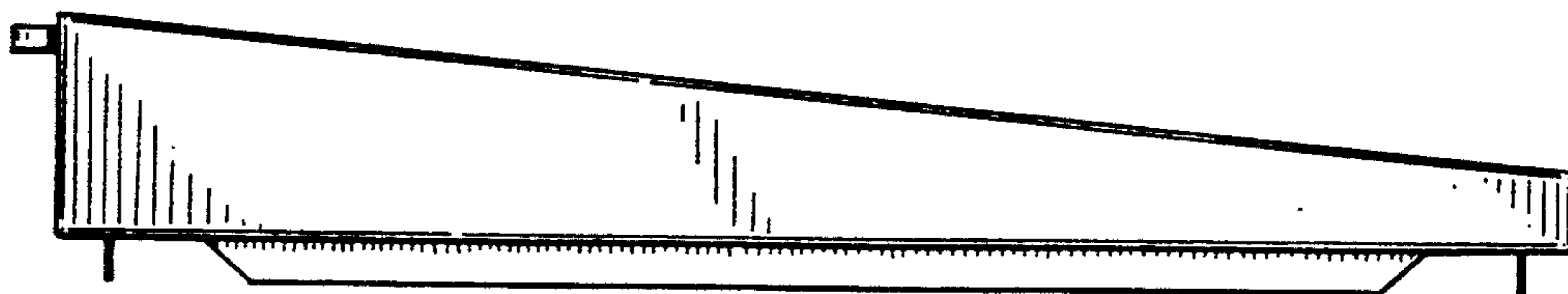


FIG-5

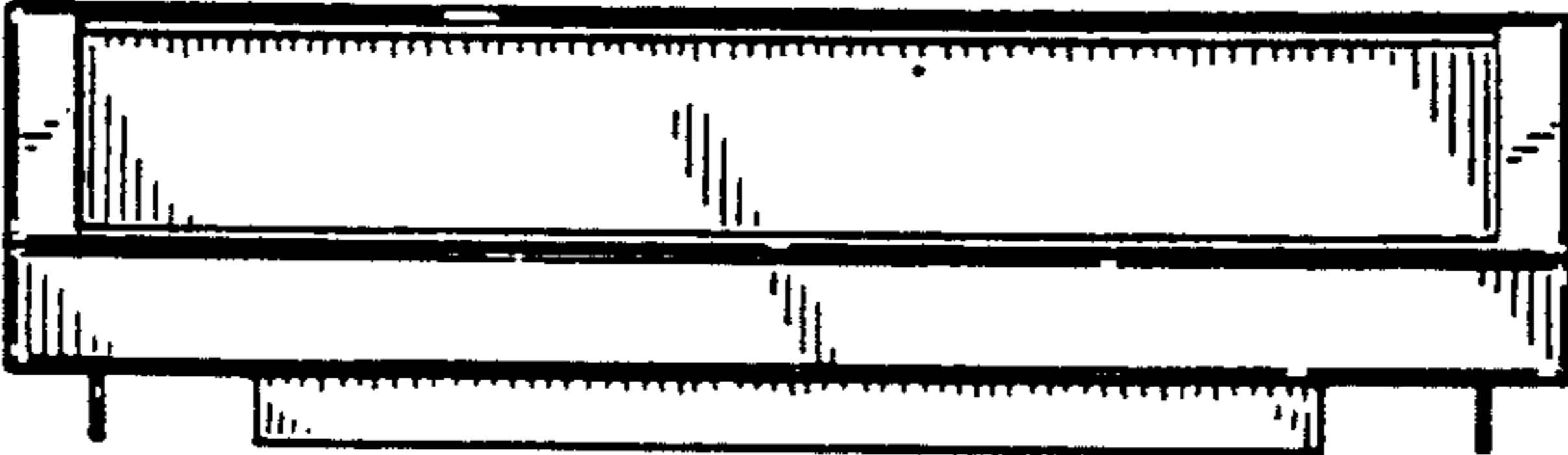


FIG-6

