



US00D348798S

United States Patent [19]

[11] Patent Number: **Des. 348,798**

Jacobs

[45] Date of Patent: **** Jul. 19, 1994**

[54] **HOOD FOR A BEVERAGE DISPENSING MACHINE**

[75] Inventor: **Richard H. Jacobs**, New Brighton, Minn.

[73] Assignee: **The Cornelius Company**, Anoka, Minn.

[**] Term: **14 Years**

[21] Appl. No.: **418**

[22] Filed: **Oct. 14, 1992**

[52] U.S. Cl. **D7/392; D7/397; D7/300**

[58] Field of Search **D7/300, 305, 306, 308, D7/309, 310, 311, 313, 307, 392, 397; 99/279; D20/4, 5**

[56] **References Cited**

U.S. PATENT DOCUMENTS

D. 261,269	10/1981	Cornett	D7/307
D. 274,400	6/1984	Muller	D7/307
D. 274,779	7/1984	LaLumiere	D7/306 X
D. 281,568	12/1985	Bruffey, Jr. et al.	D7/308
D. 282,617	2/1986	Hogan	D7/308 X
D. 287,029	12/1986	Oakley et al.	D20/4
D. 312,021	11/1990	Mohat	D7/311 X

OTHER PUBLICATIONS

Coke Machine, Mar. 1983.
Dispensing Machine, Product Knowledge, Food Service Equipment and Supplies Specialist Jan. 1988 p. 85.

Primary Examiner—Alan P. Douglas
Assistant Examiner—M. N. Pandozzi
Attorney, Agent, or Firm—Sten Erik Hakanson

[57] **CLAIM**

The ornamental design for a hood for a beverage dispensing machine, as shown and described.

DESCRIPTION

FIG. 1 shows a perspective view of a hood for a beverage dispensing machine showing my new design; FIG. 2 shows a perspective view of the present invention; FIG. 3 shows a side plan view of the present invention; FIG. 4 shows a front plan view of the present invention; FIG. 5 shows a rear plan view of the present invention; and, FIG. 6 shows a top plan view of the present invention. The broken line showing of a beverage dispensing machine in FIG. 1 is for illustrative purposes only and forms no part of the claimed design.

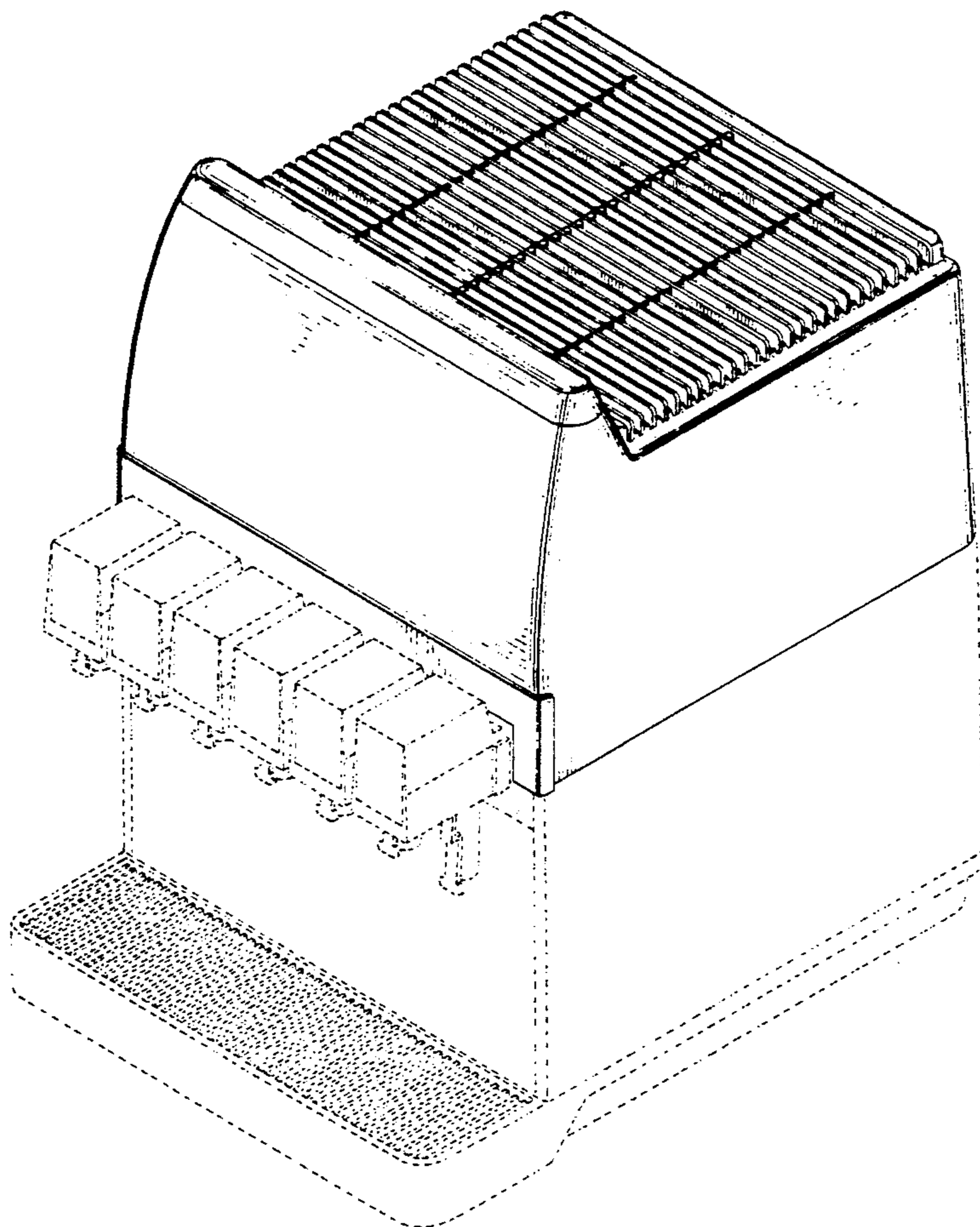
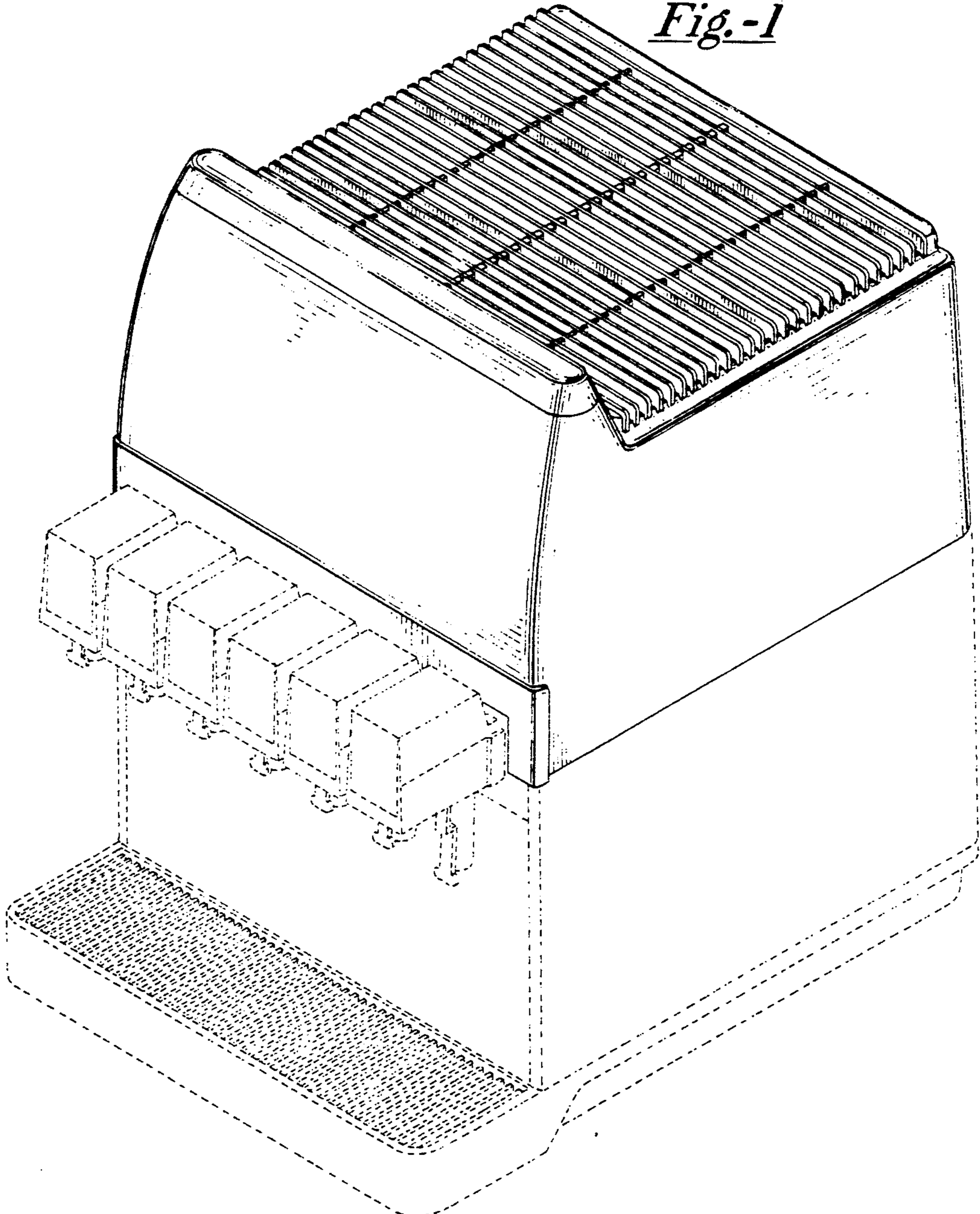


Fig.-1



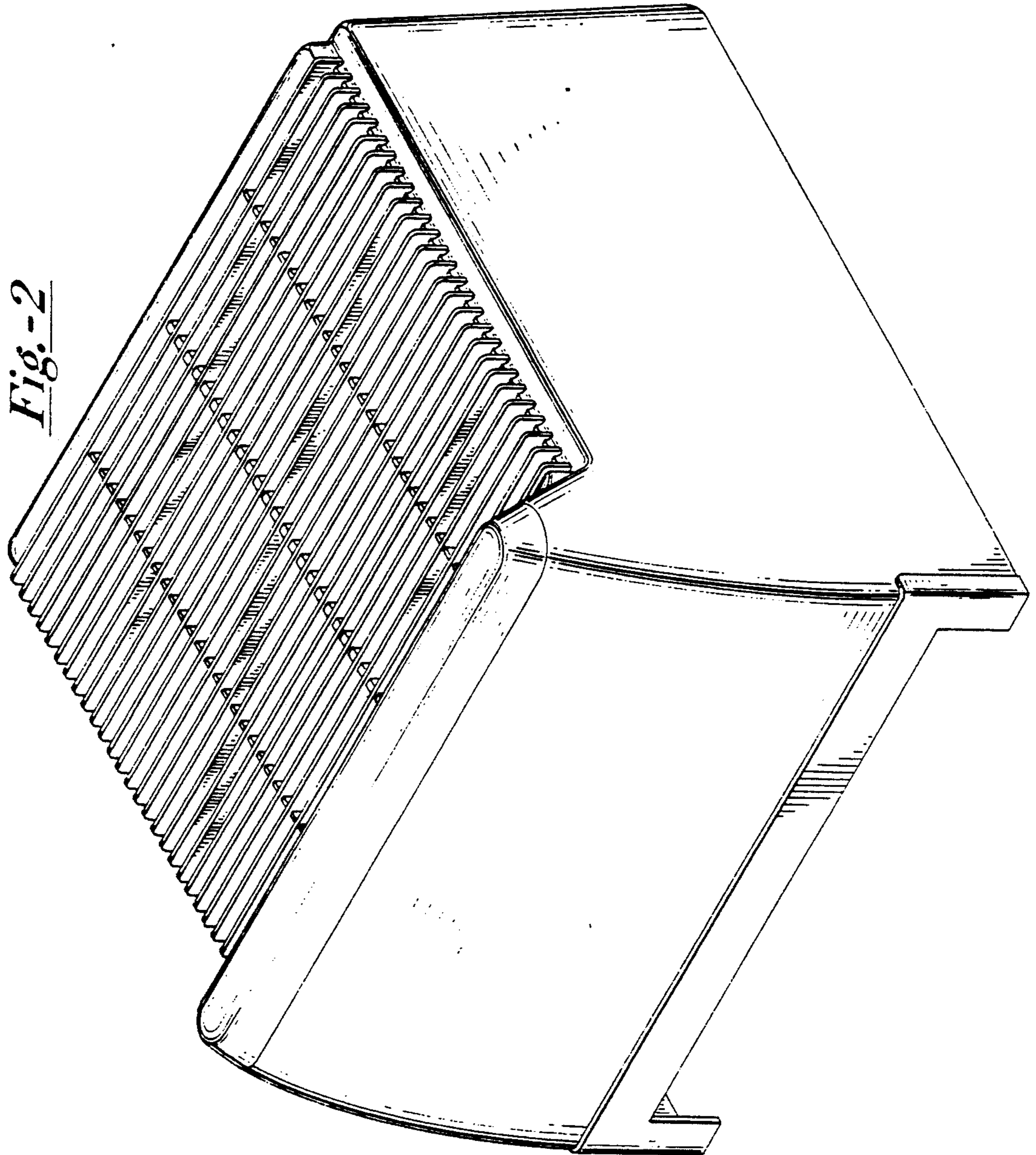


Fig.-2

Fig.-3

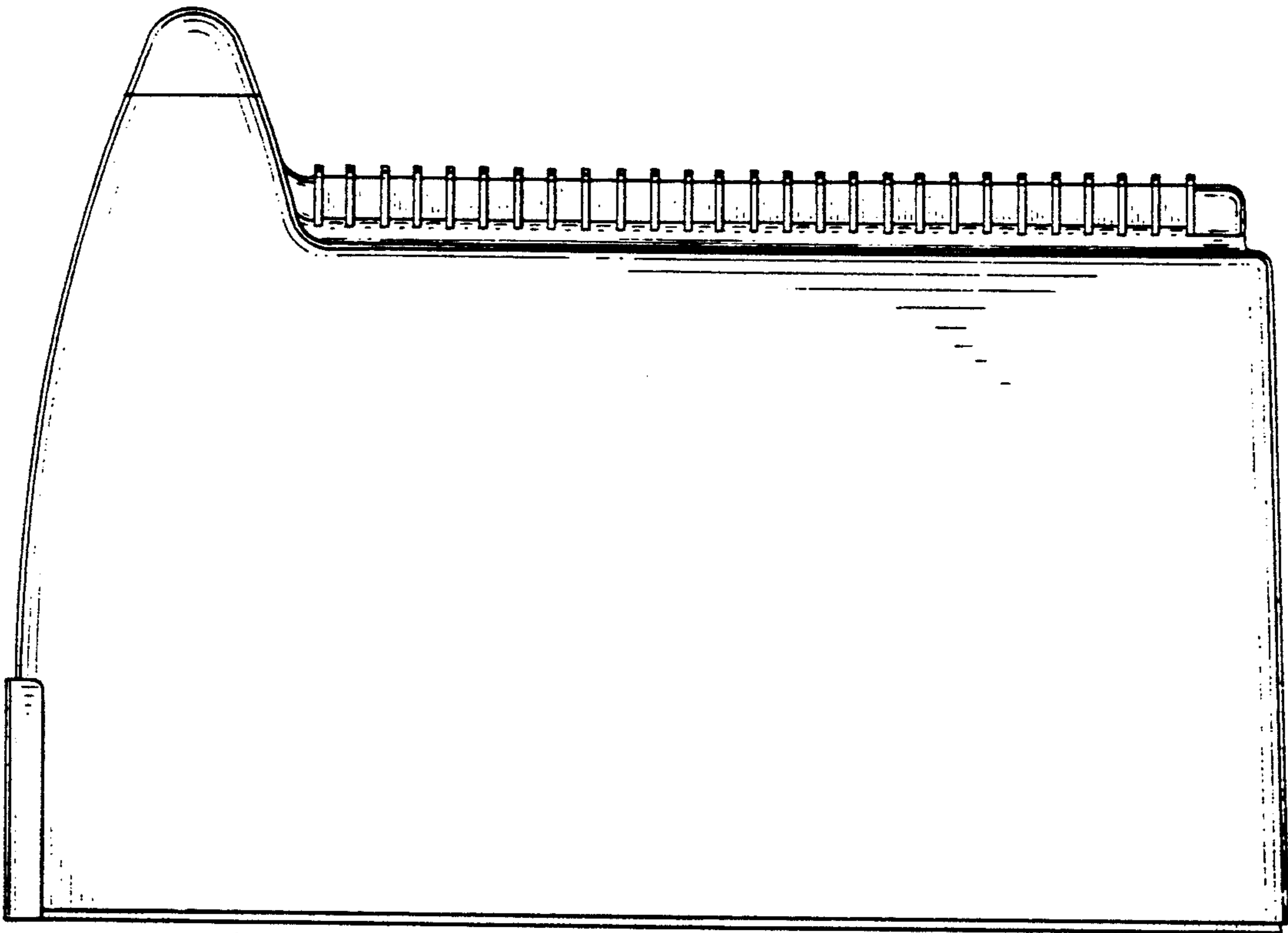


Fig.-4

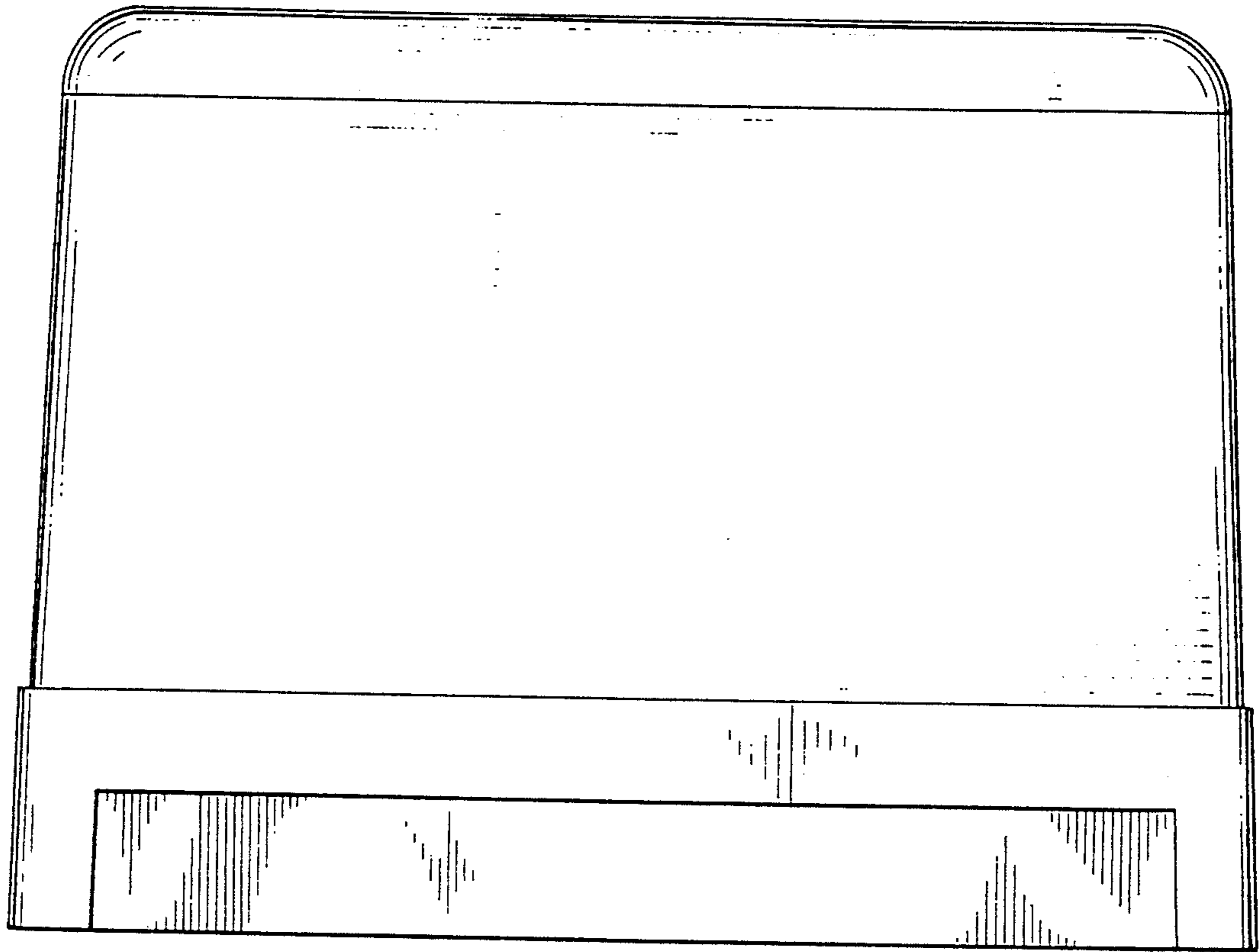


Fig.-5

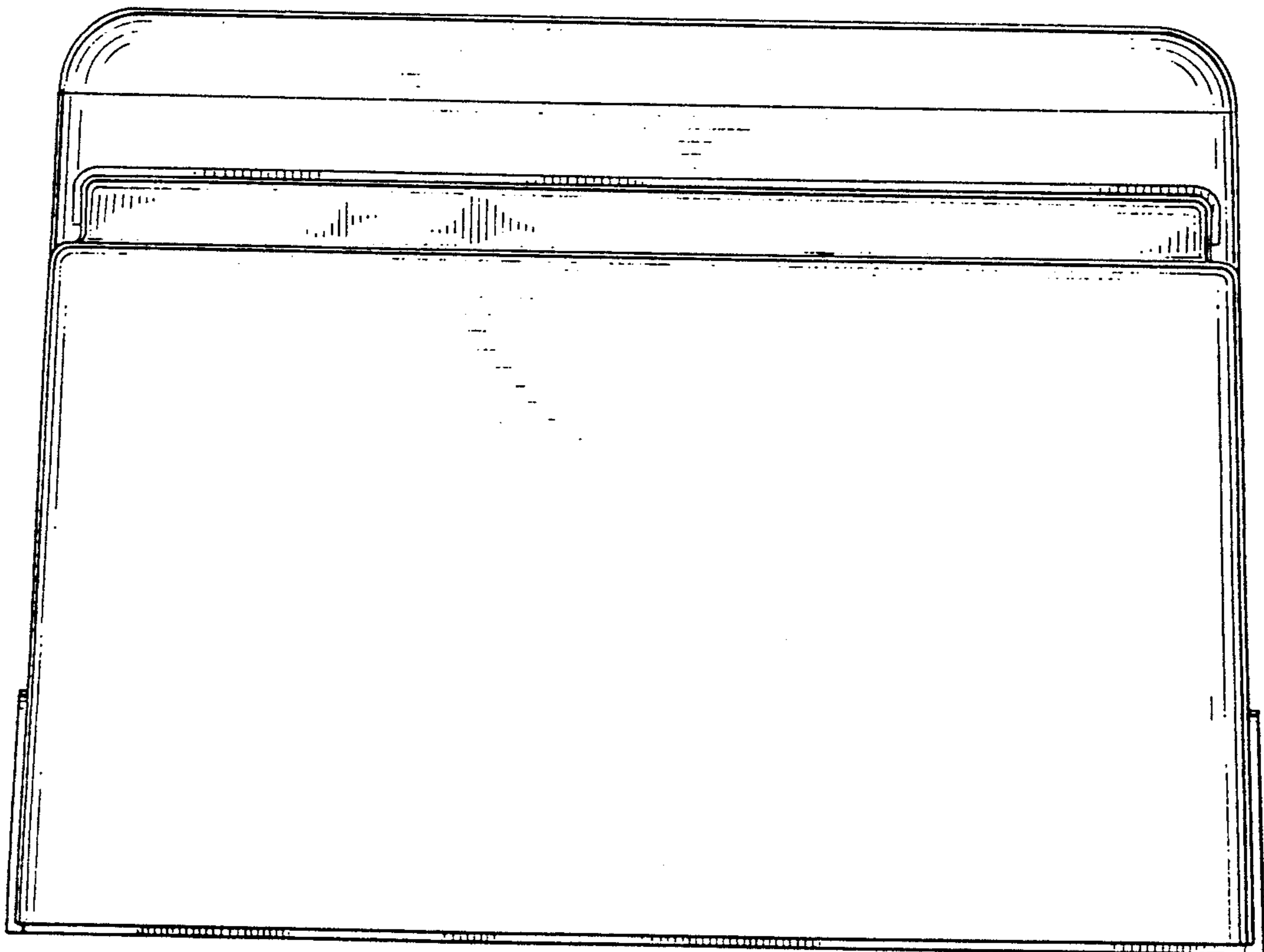


Fig.-6

