



US00D348797S

# United States Patent [19]

[11] Patent Number: **Des. 348,797**

**Brady**

[45] Date of Patent: **\*\* Jul. 19, 1994**

[54] **BLENDER BASE**

[75] Inventor: **Martin Brady, Richmond, Va.**

[73] Assignee: **Hamilton Beach/Proctor-Silex, Inc.,  
Glen Allen, Va.**

[\*\*] Term: **14 Years**

[21] Appl. No.: **7,872**

[22] Filed: **May 3, 1993**

[52] U.S. Cl. .... **D7/386**

[58] Field of Search ..... **D7/376, 378, 386;  
366/129, 130, 197, 199, 204, 205, 314**

base, taken for the purpose of this statement on Aug. 5, 1993.

Unpublished Photographs of Waring Blender Base, taken for the purpose of this statement on Aug. 5, 1993. Photocopies of Front and Back Cover pages and p. 208 of "Best General Merchandise Catalog," published 1990 by Best Products Co. Inc. depicting base shown in AT.

*Primary Examiner*—Alan P. Douglas  
*Assistant Examiner*—Caron D. Veynar  
*Attorney, Agent, or Firm*—Roger S. Dybvig

### [57] CLAIM

The ornamental design for a blender base, as shown and described.

### [56] References Cited

#### U.S. PATENT DOCUMENTS

D. 216,237	12/1969	Levin	.....	D7/386
D. 218,583	9/1970	Gilson	.....	D7/378
D. 251,231	3/1979	Hashimoto	.....	D7/384
D. 255,759	7/1980	Ernest	.....	D7/386
D. 309,548	7/1990	McCloskey	.....	D7/378
D. 337,240	7/1993	Levin	.....	D7/386

#### OTHER PUBLICATIONS

Photocopy of Front and Back Cover Pages and pp. 2-4 of "1993/94 Hamilton Beach/Proctor-Silex Catalog," published 1993 by Hamilton Beach/Proctor-Silex, Inc. Unpublished Photographs of Hamilton Beach 2-Speed Cordless Blender Base, taken for purpose of this statement on Mar. 29, 1993.

Unpublished Photographs of Black and Decker Blender

### DESCRIPTION

FIG. 1 is a top, front and left side perspective view of a blender base showing my new design;

FIG. 2 is a front elevational view thereof;

FIG. 3 is a rear elevational view thereof;

FIG. 4 is a right side elevational view thereof, with the left side being a mirror image of the right side;

FIG. 5 is a top, front, and right side perspective view of a second embodiment thereof, the only difference residing in the switch mechanism which has a smaller switch plate and which knob rests on the right side of the switch plate; and,

FIG. 6 is a bottom plan view thereof.

The broken lines showing the jar-supporting tower in FIGS. 1 through 5 and showing the vents on the bottom of the base in FIGS. 3, 4, and 6 are for illustrative purposes only and form no part of the claimed design.

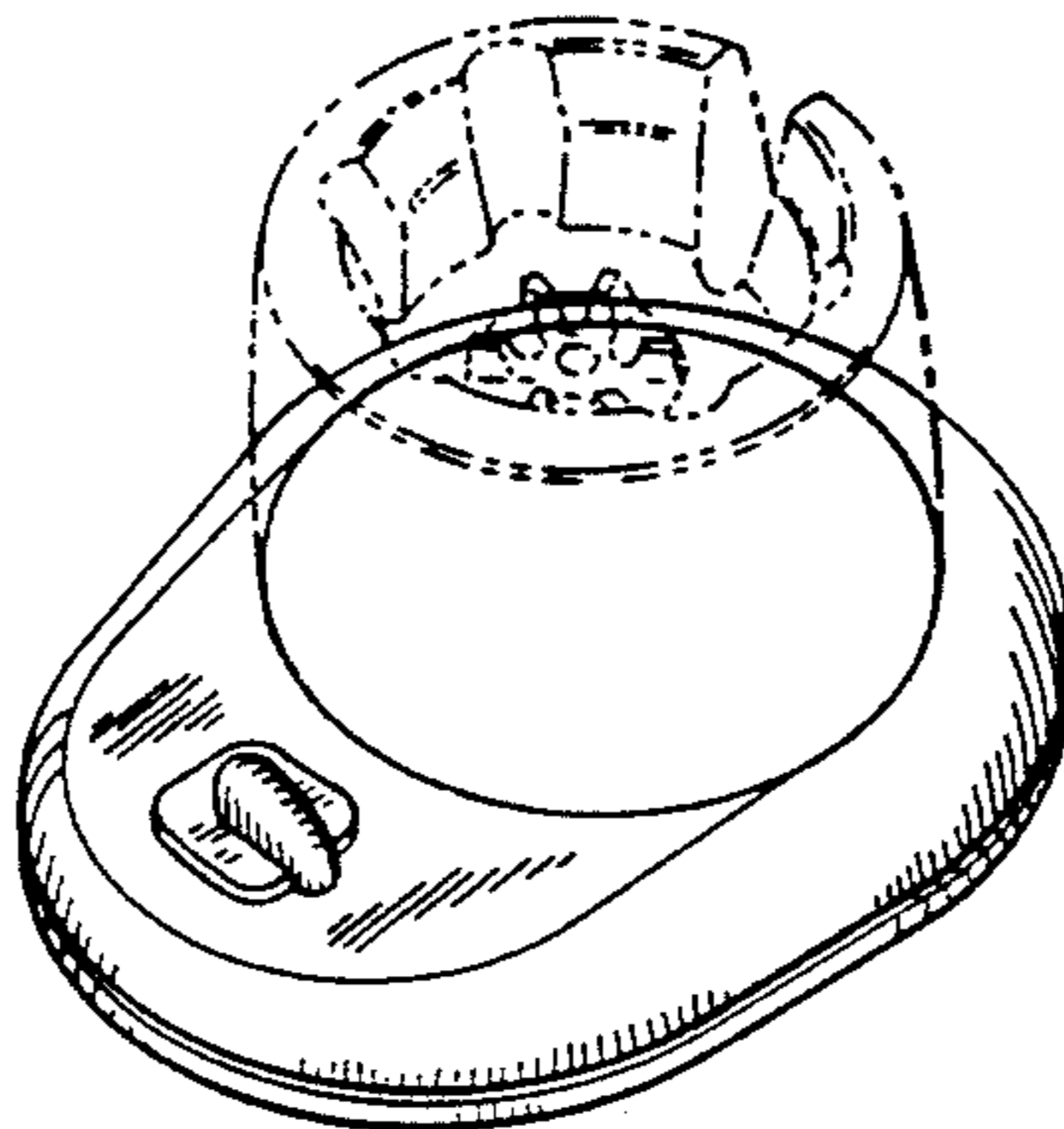
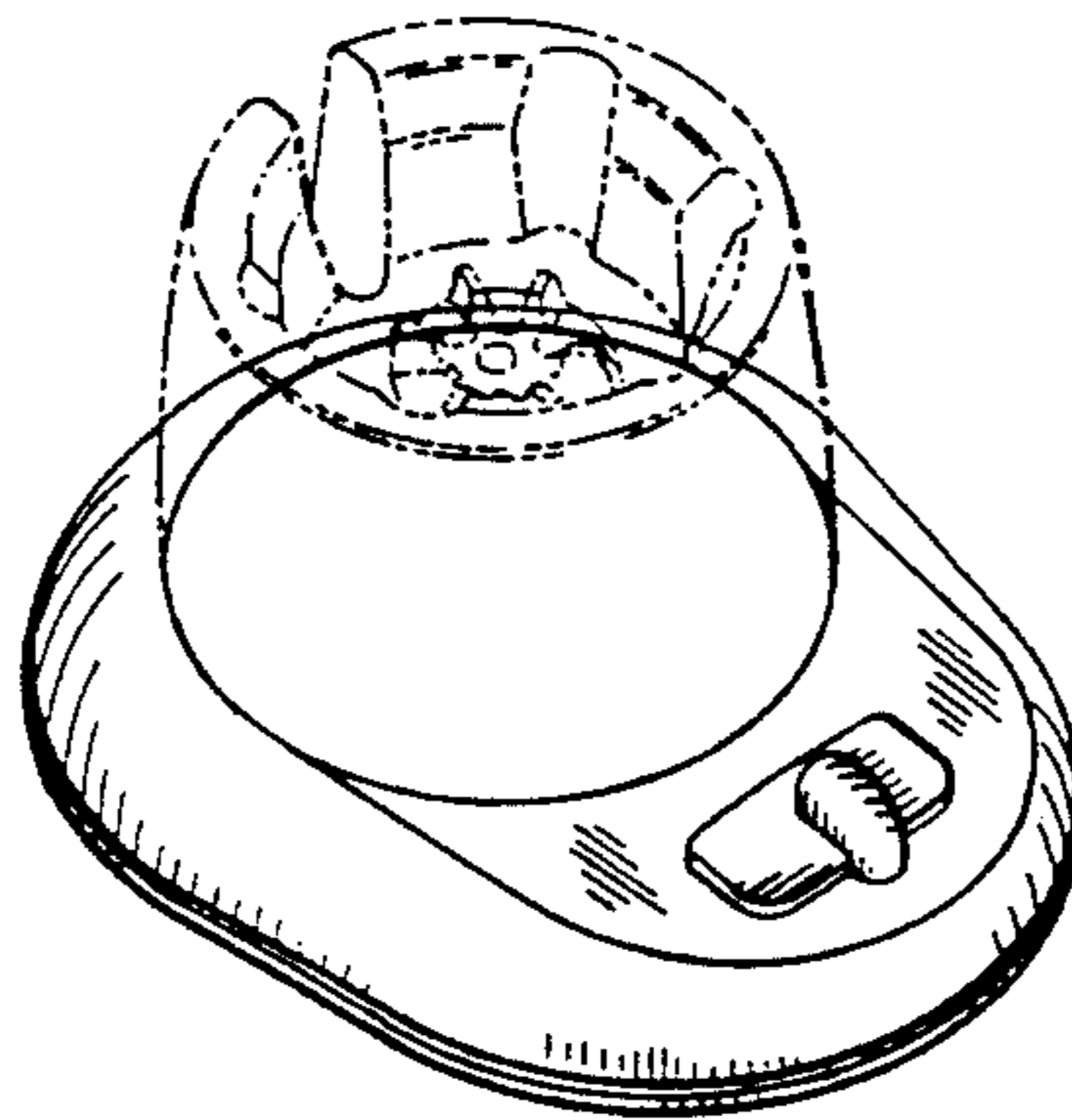


FIG-1

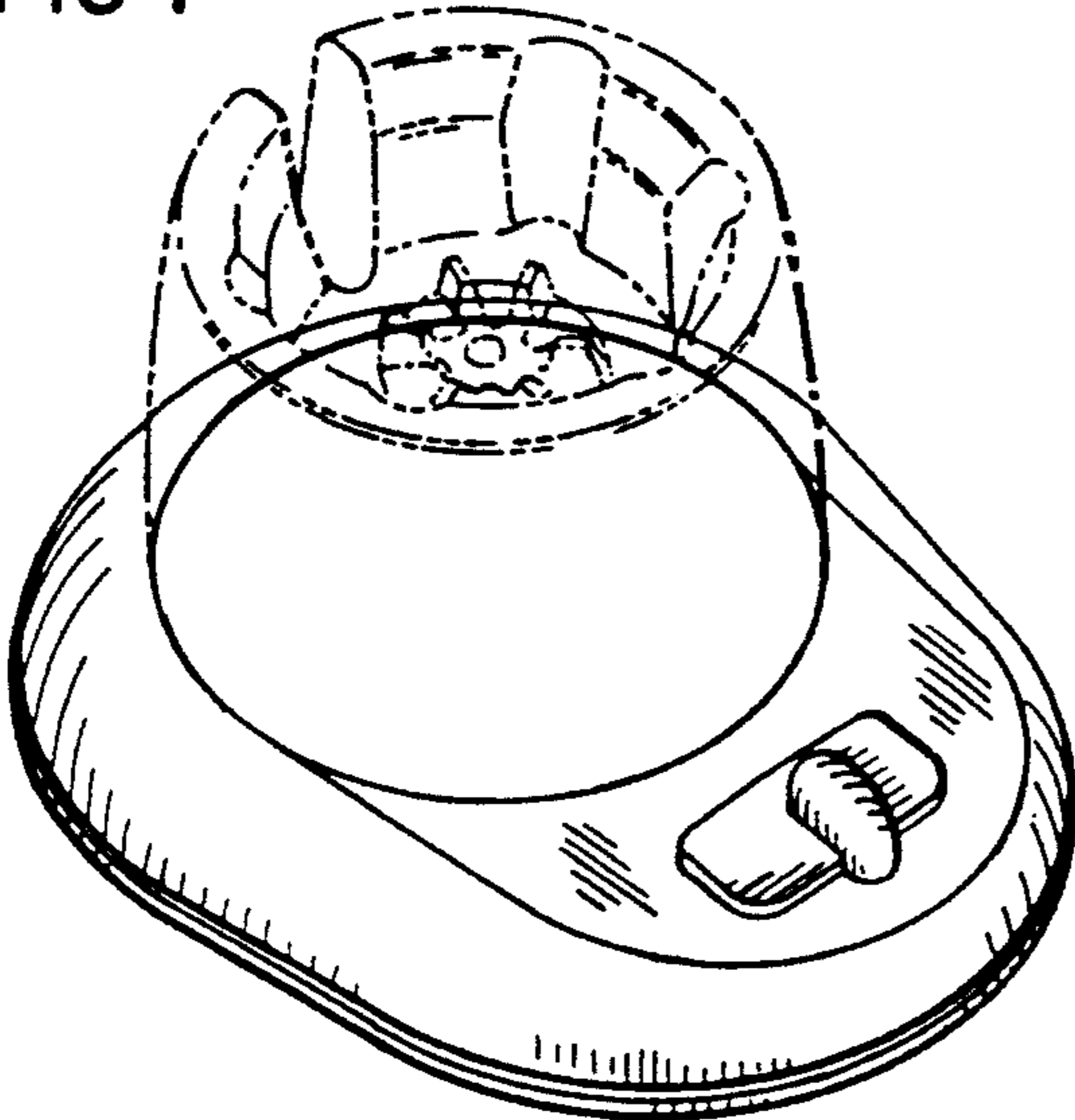


FIG-2

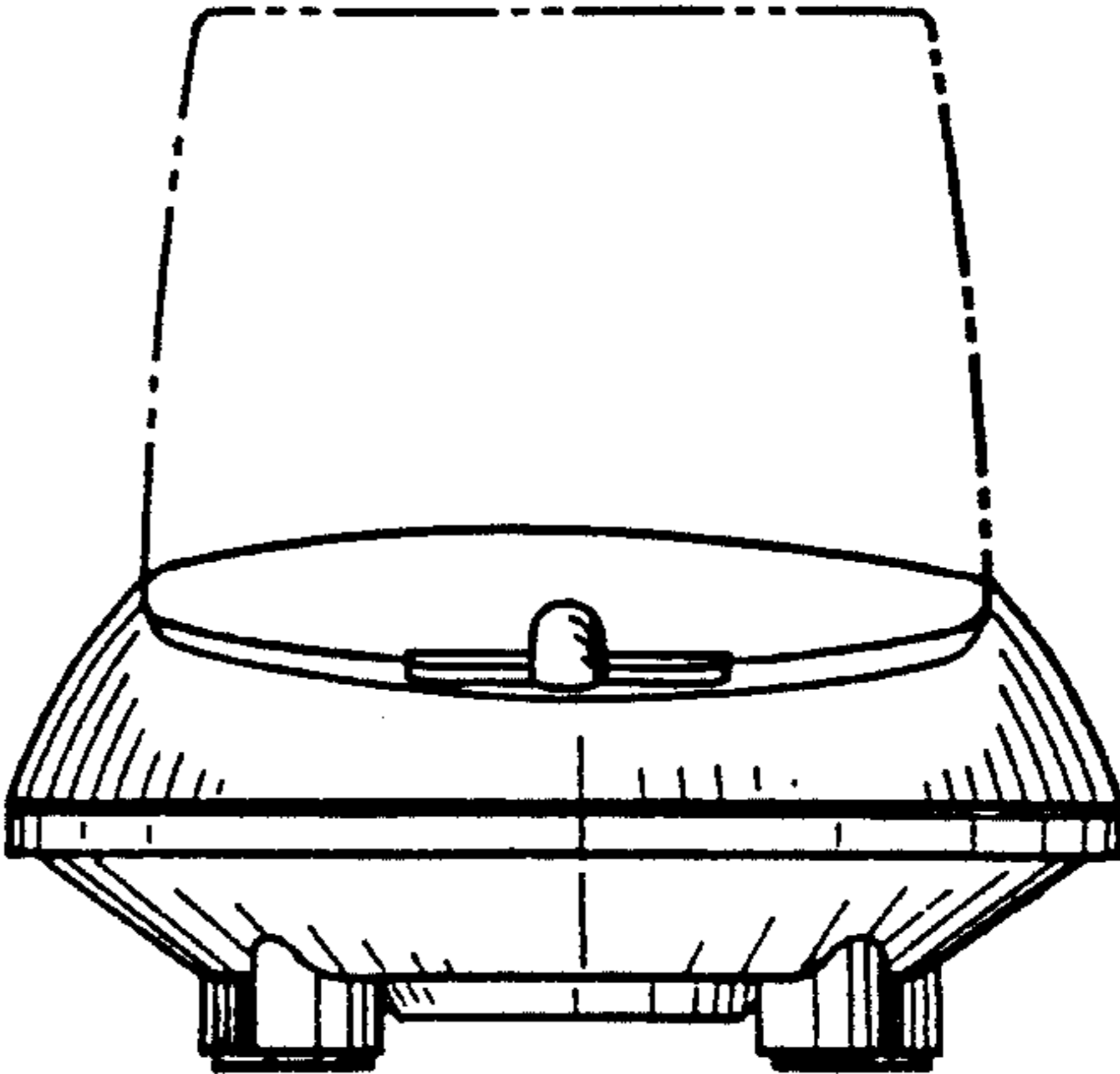


FIG-3

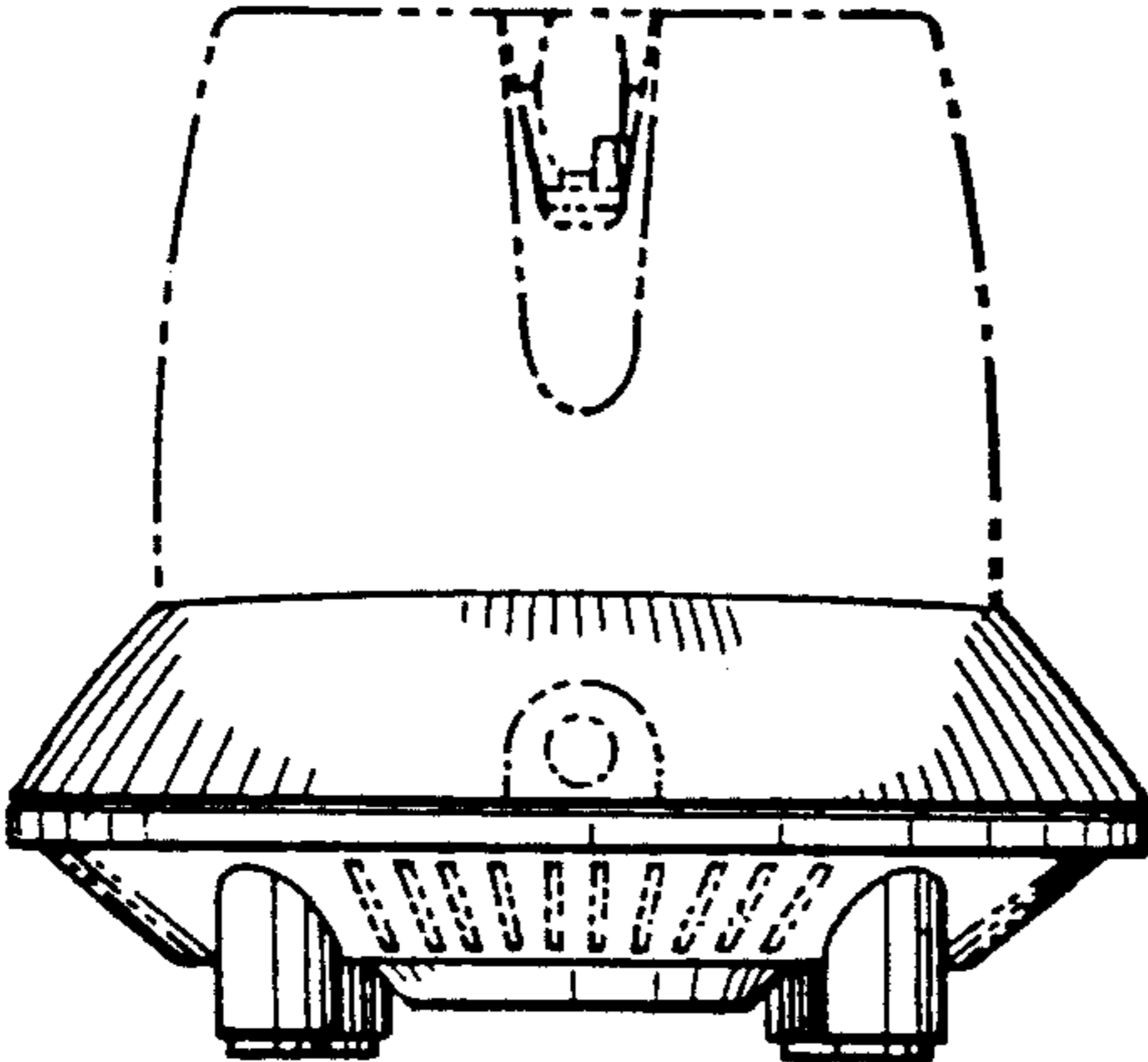


FIG-4

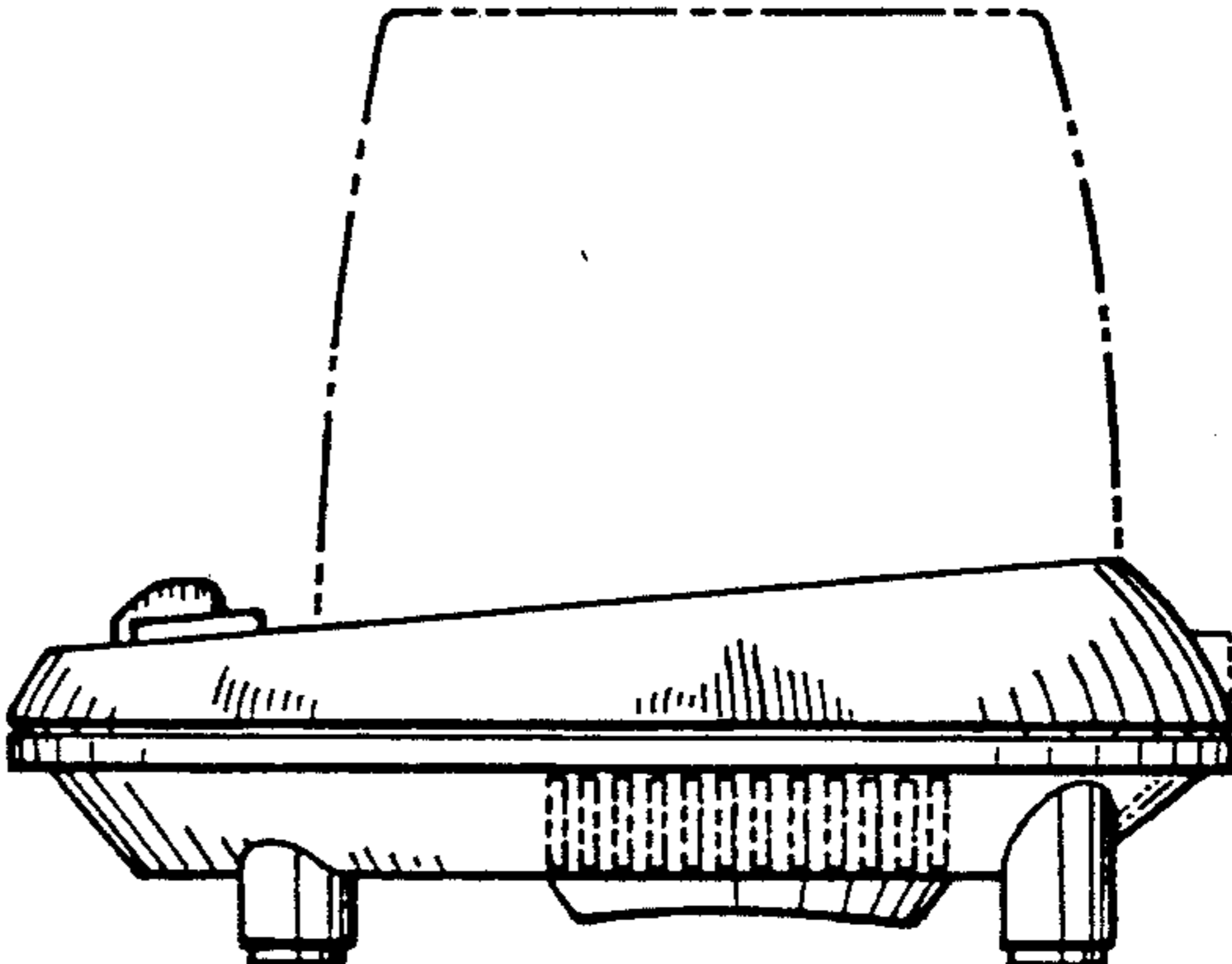


FIG-5

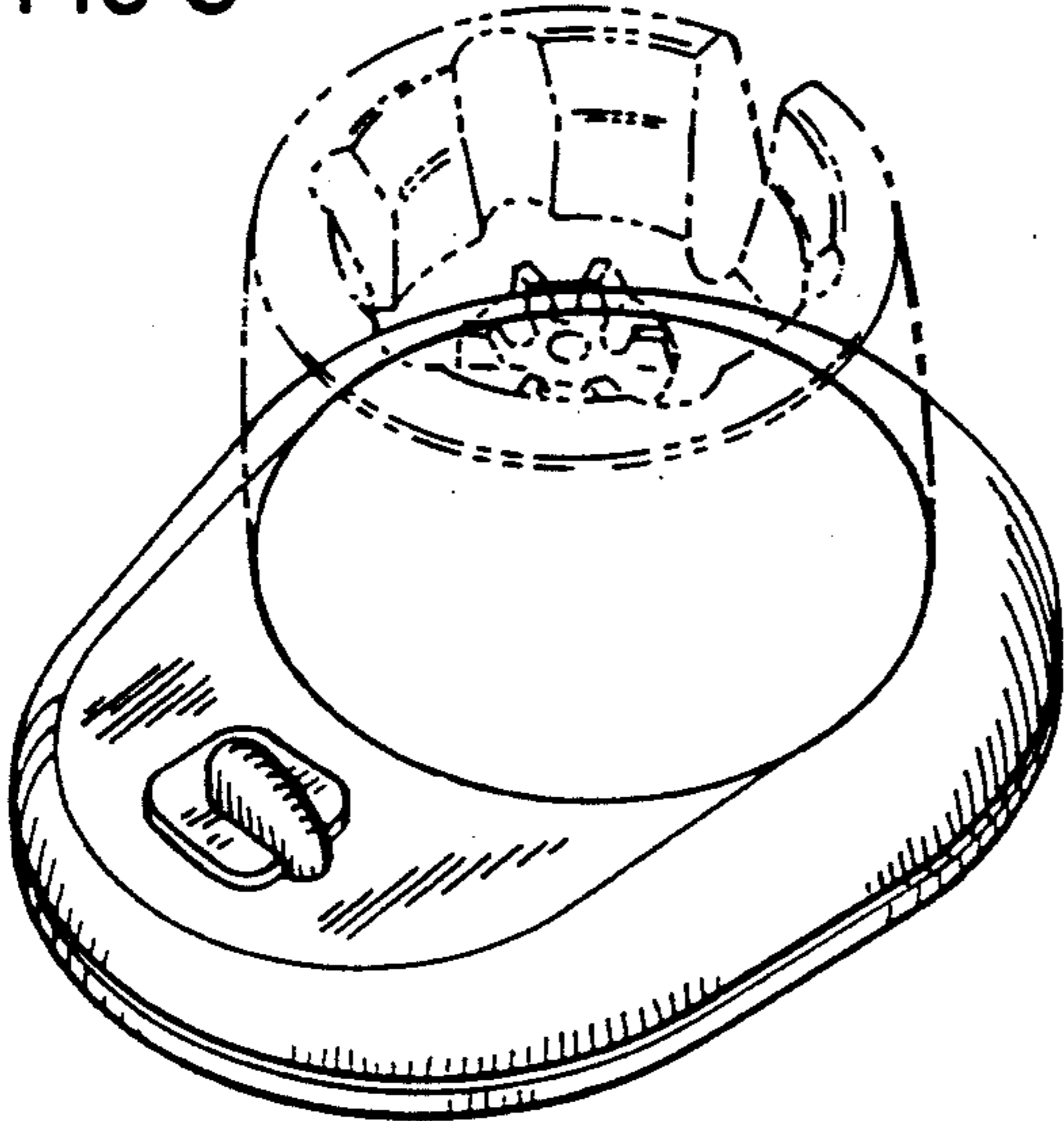


FIG-6

