



US00D348776S

United States Patent [19]

[11] Patent Number: **Des. 348,776**

Anderson

[45] Date of Patent: **** Jul. 19, 1994**

[54] **BODY POUCH**

[76] Inventor: **Alberta C. Anderson, P.O. Box, Mesa, Ariz. 85211**

[**] Term: **14 Years**

[21] Appl. No.: **903,537**

[22] Filed: **Jun. 22, 1992**

[52] U.S. Cl. **D3/226**

[58] Field of Search **D3/100, 106, 52; 224/222, 224, 252, 253, 228, 229, 226; 150/107, 118, 123, 150**

[56] **References Cited**

U.S. PATENT DOCUMENTS

D. 280,357	9/1985	Scheller	D3/106
2,087,615	7/1937	Carr	150/118 X
2,869,603	1/1959	Conley	150/150
3,888,397	6/1975	Kolzumi	224/35
3,937,373	2/1976	Artz	224/253 X
4,071,065	1/1978	Halbich	D3/106 X
4,515,300	5/1985	Cohen	224/151
4,566,617	1/1986	Jackson	224/275
4,629,040	12/1986	Jones	190/102
4,643,343	2/1987	Goldman et al.	224/275
4,796,790	1/1989	Hamilton	224/253

FOREIGN PATENT DOCUMENTS

463772 of 1937 United Kingdom .
2158346 11/1985 United Kingdom 224/229

OTHER PUBLICATIONS

Velcro Product News-Jun. 1977 PN No. 34, 4 pages.

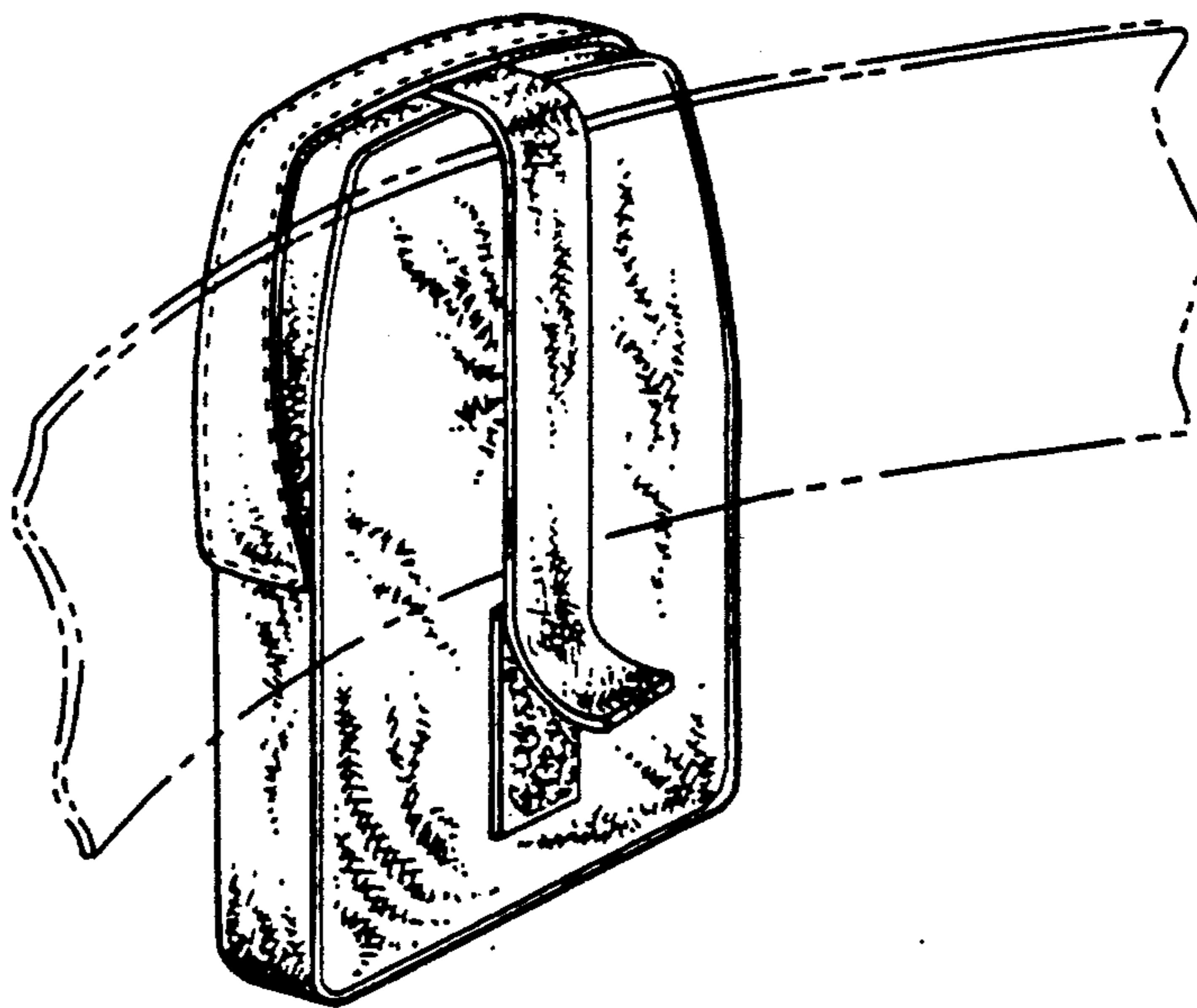
Primary Examiner—A. Hugo Word
Assistant Examiner—Doris V. Coles
Attorney, Agent, or Firm—Harvey S. Hertz

[57] **CLAIM**

The ornamental design for a body pouch, as shown and described.

DESCRIPTION

FIG. 1 is a rear perspective of a body pouch showing my new design, it being understood that the broken lines are for illustrative purposes only and form no part of the claimed design;
FIG. 2 is a right side view, the left side being a mirror image thereof;
FIG. 3 is a front elevational view thereof;
FIG. 4 is a rear elevational view thereof;
FIG. 5 is a top plan view thereof; and,
FIG. 6 is a bottom plan view thereof.



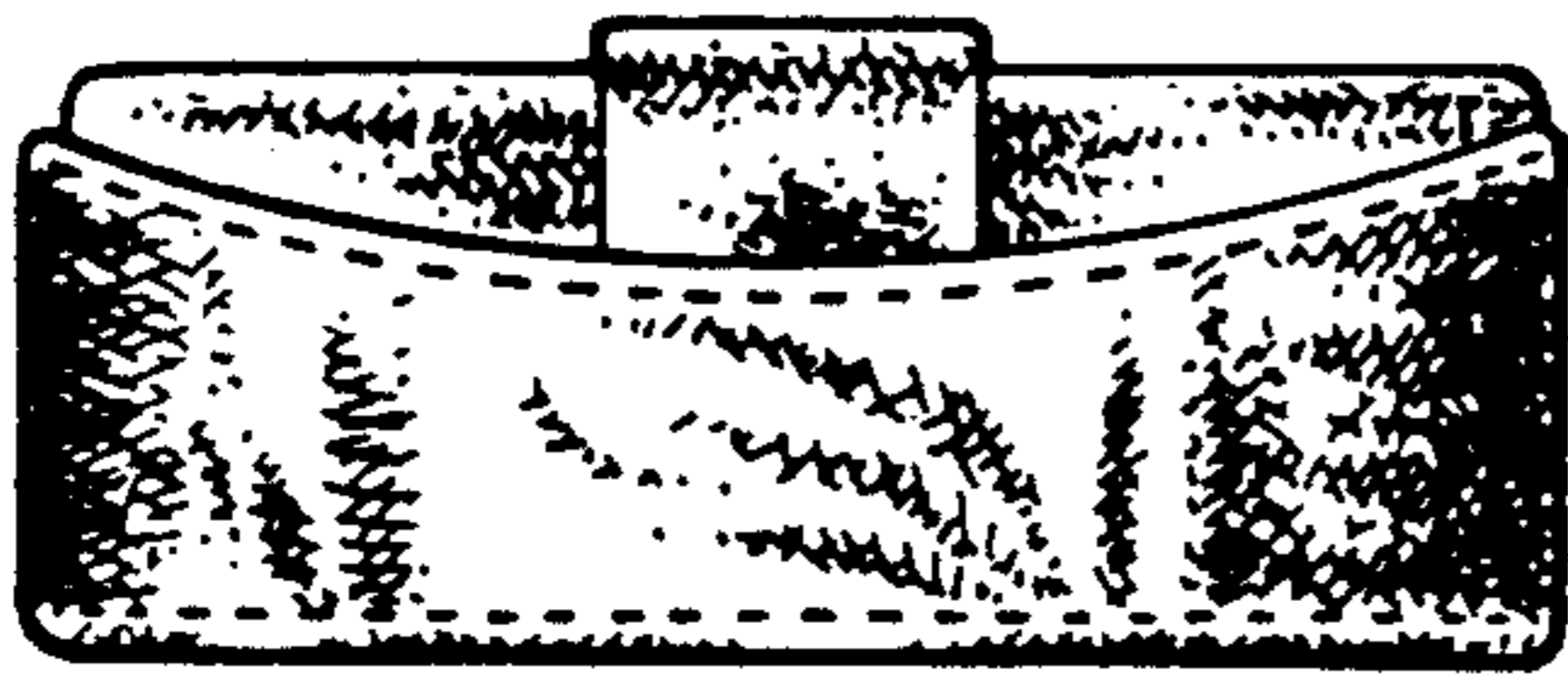


FIG. 5

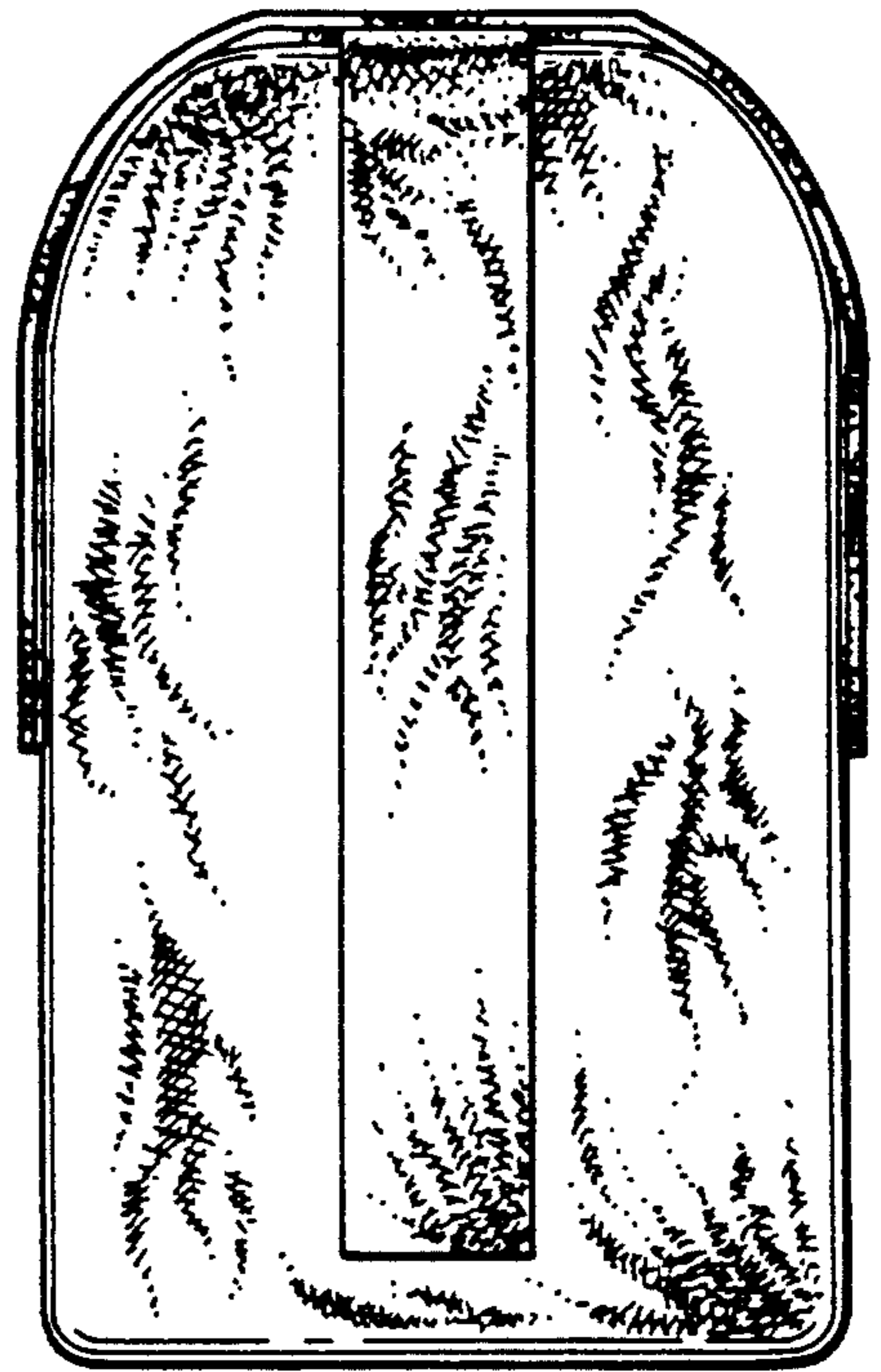


FIG. 4

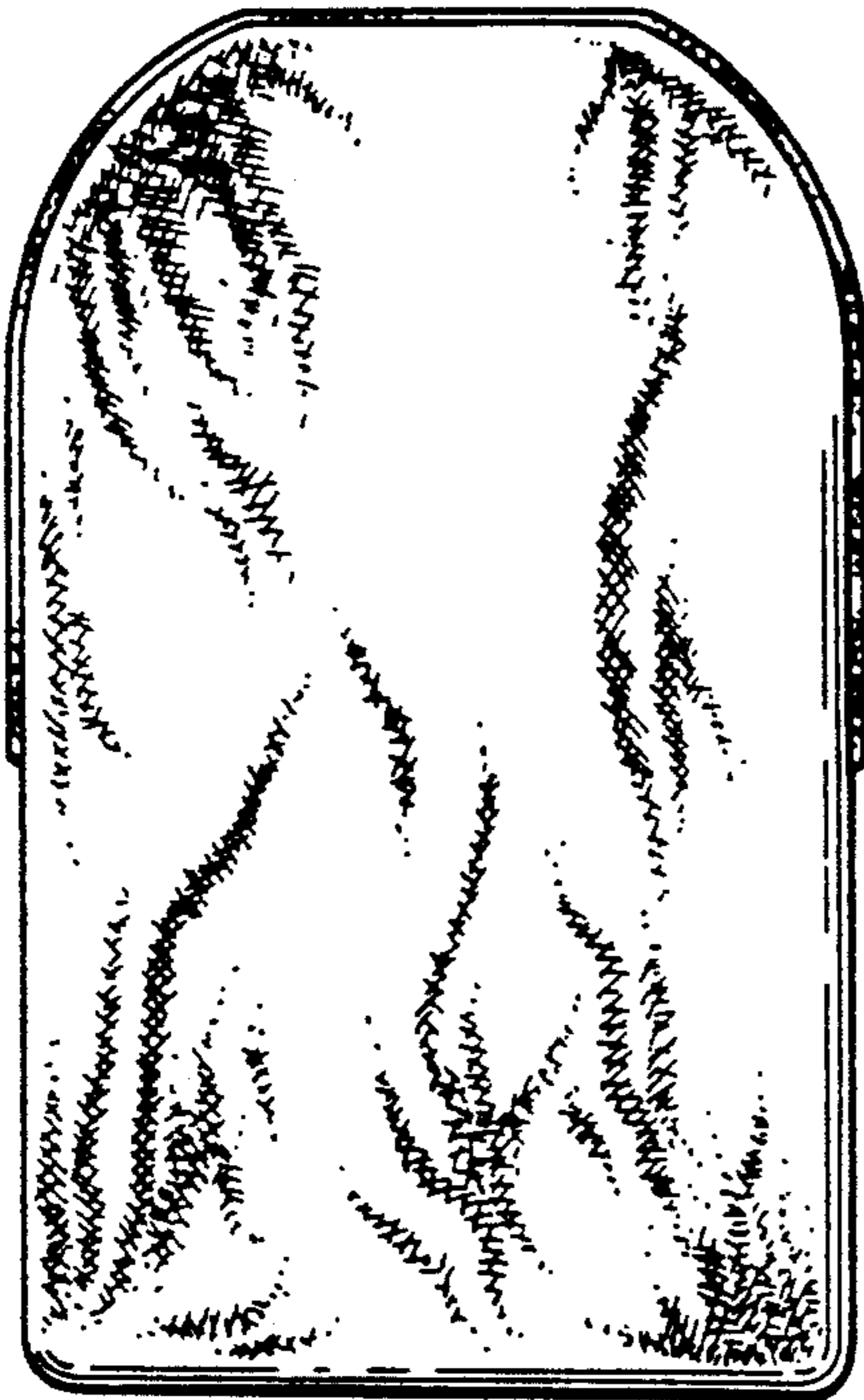


FIG. 3



FIG. 6

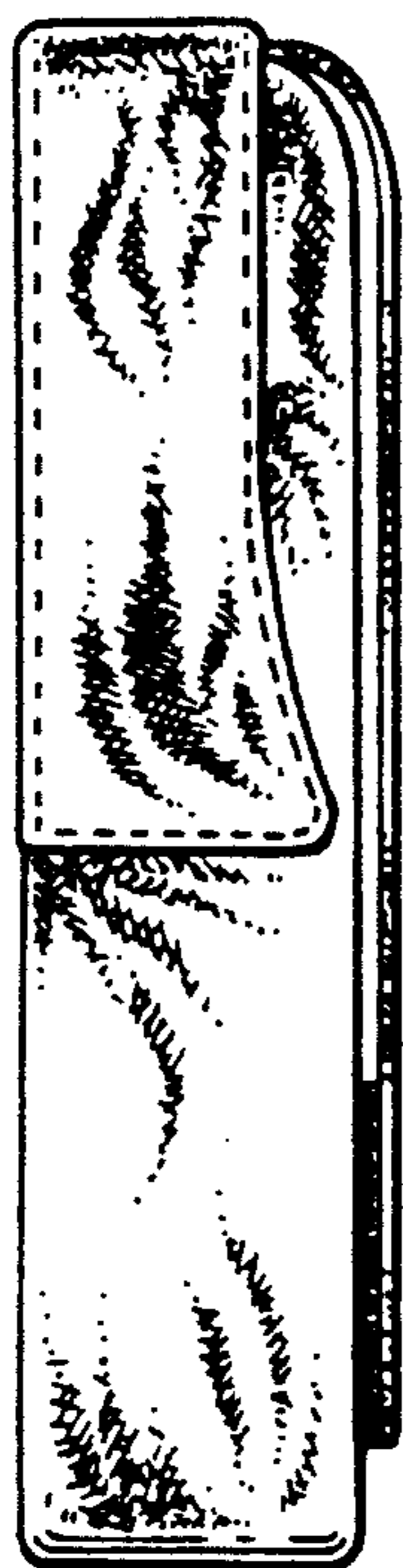


FIG. 2

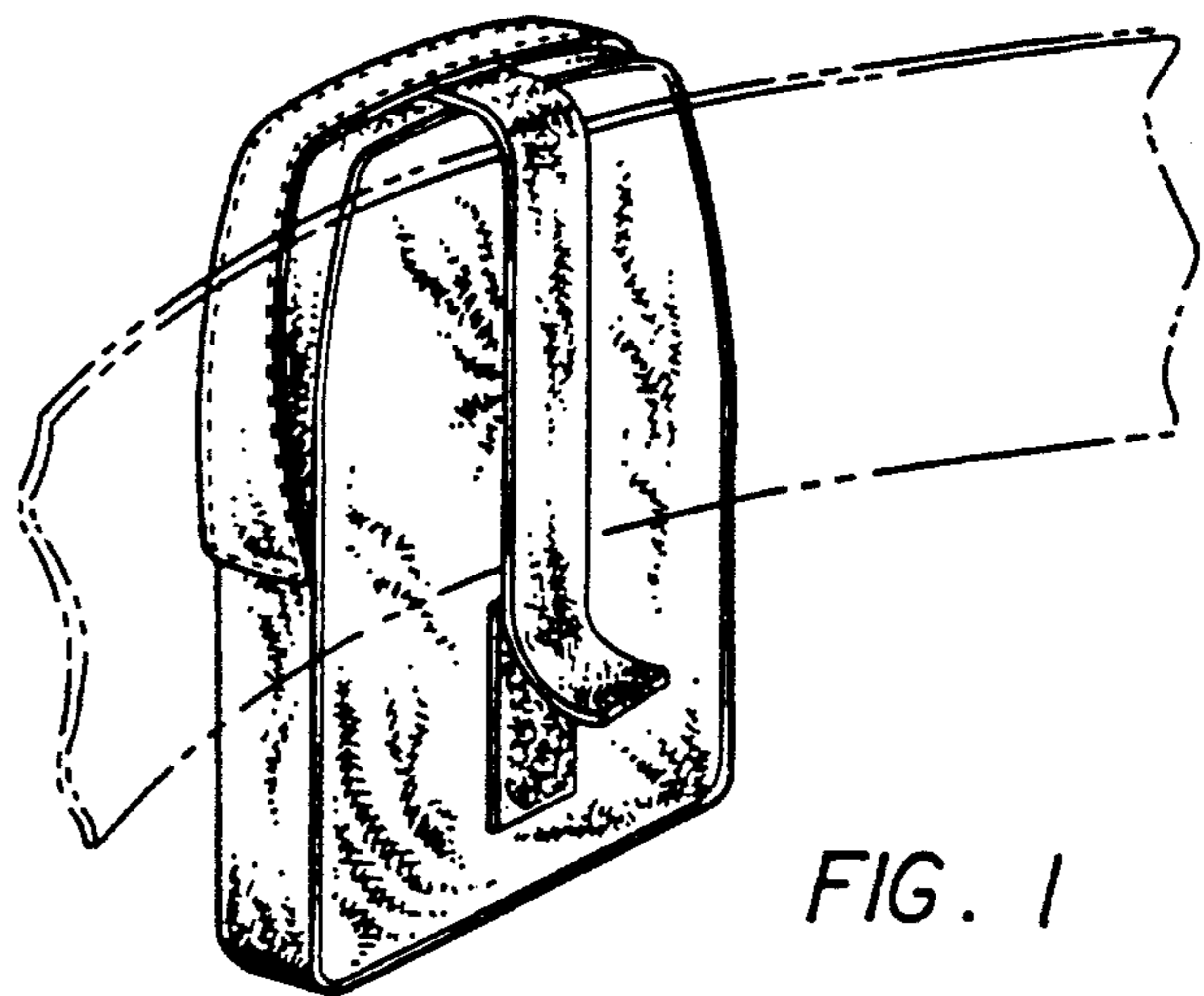


FIG. 1