



US00D348772S

United States Patent [19]

[11] Patent Number: **Des. 348,772**

Minx

[45] Date of Patent: **** Jul. 19, 1994**

[54] CONTAINER HOLDER

5,060,835 10/1991 Payne .

[76] Inventor: **James A. Minx**, 18815 S. Avers,
Flossmoor, Ill. 60422

OTHER PUBLICATIONS

Copy of Label from a Liquipak product of L.B., Israel—IAO Corporation container holder, date unknown.
Product Literature of Drink-In-Buddy by Diversified Specialty Printing container holder, date unknown.

[**] Term: **14 Years**

Primary Examiner—Terry A. Wallace
Attorney, Agent, or Firm—Leydig, Voit & Mayer, Ltd.

[21] Appl. No.: **1,387**

[22] Filed: **Nov. 10, 1992**

[52] U.S. Cl. **D3/229; D7/620**

[58] Field of Search **D7/616-623;**
D3/100-106; 220/737; 224/191-192, 251, 253,
268; 248/311.2, 312

[57] CLAIM

The ornamental design for a container holder, as shown and described.

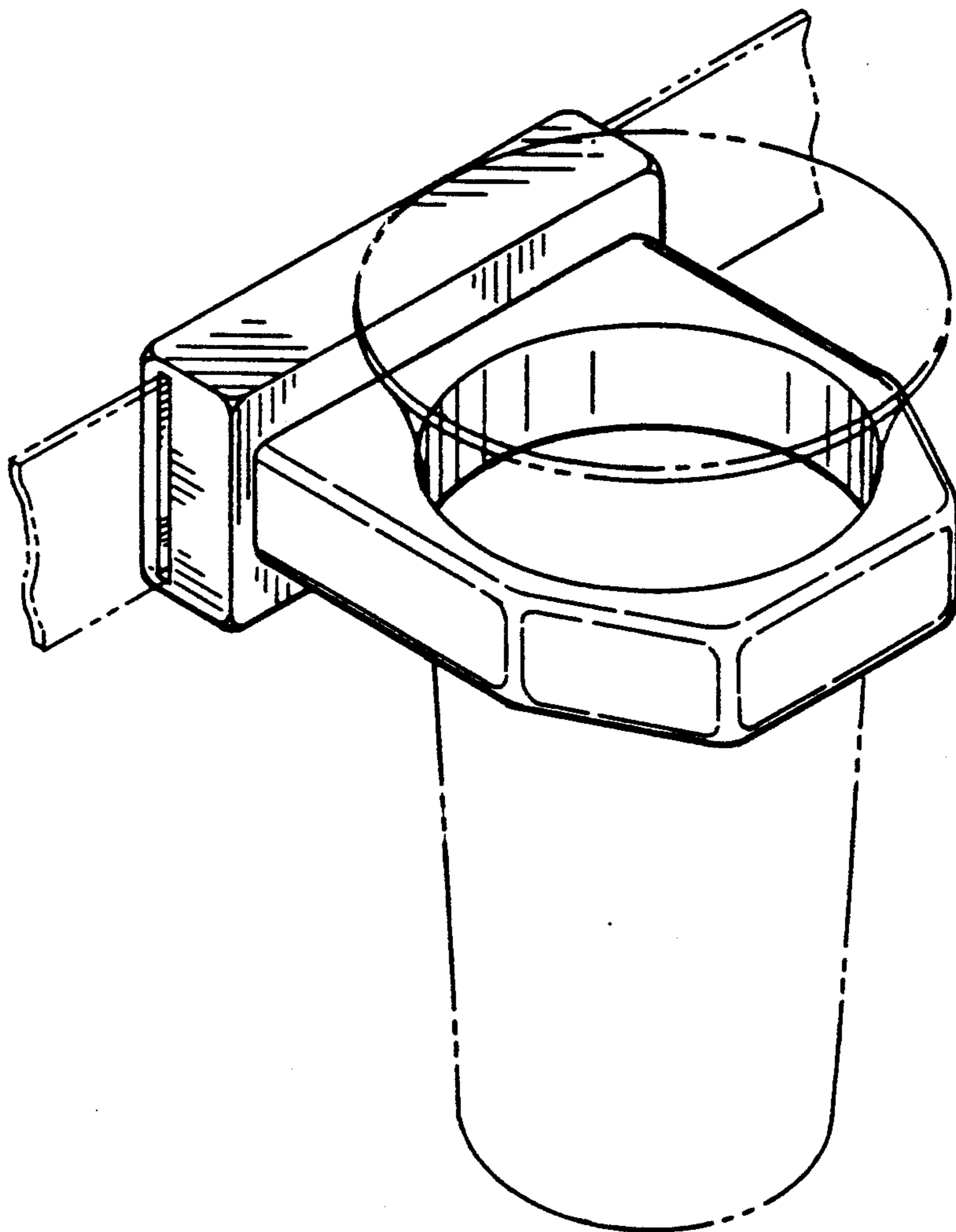
[56] References Cited

U.S. PATENT DOCUMENTS

D. 286,949	12/1986	Hardman	D3/106
4,621,753	11/1986	Ridings	224/253
4,867,358	9/1989	Bennis	.	
4,984,723	1/1991	Hsu	.	
5,035,523	7/1991	Allinder	.	
5,048,734	9/1991	Long	.	
5,056,696	10/1991	Lahr	.	

DESCRIPTION

FIG. 1 is a perspective view of a container holder showing my new design, the cup and strap shown in broken lines for illustrative purposes only;
FIG. 2 is a side elevational view thereof;
FIG. 3 is a top plan view thereof;
FIG. 4 is a front elevational view thereof; and,
FIG. 5 is a rear elevational view thereof.



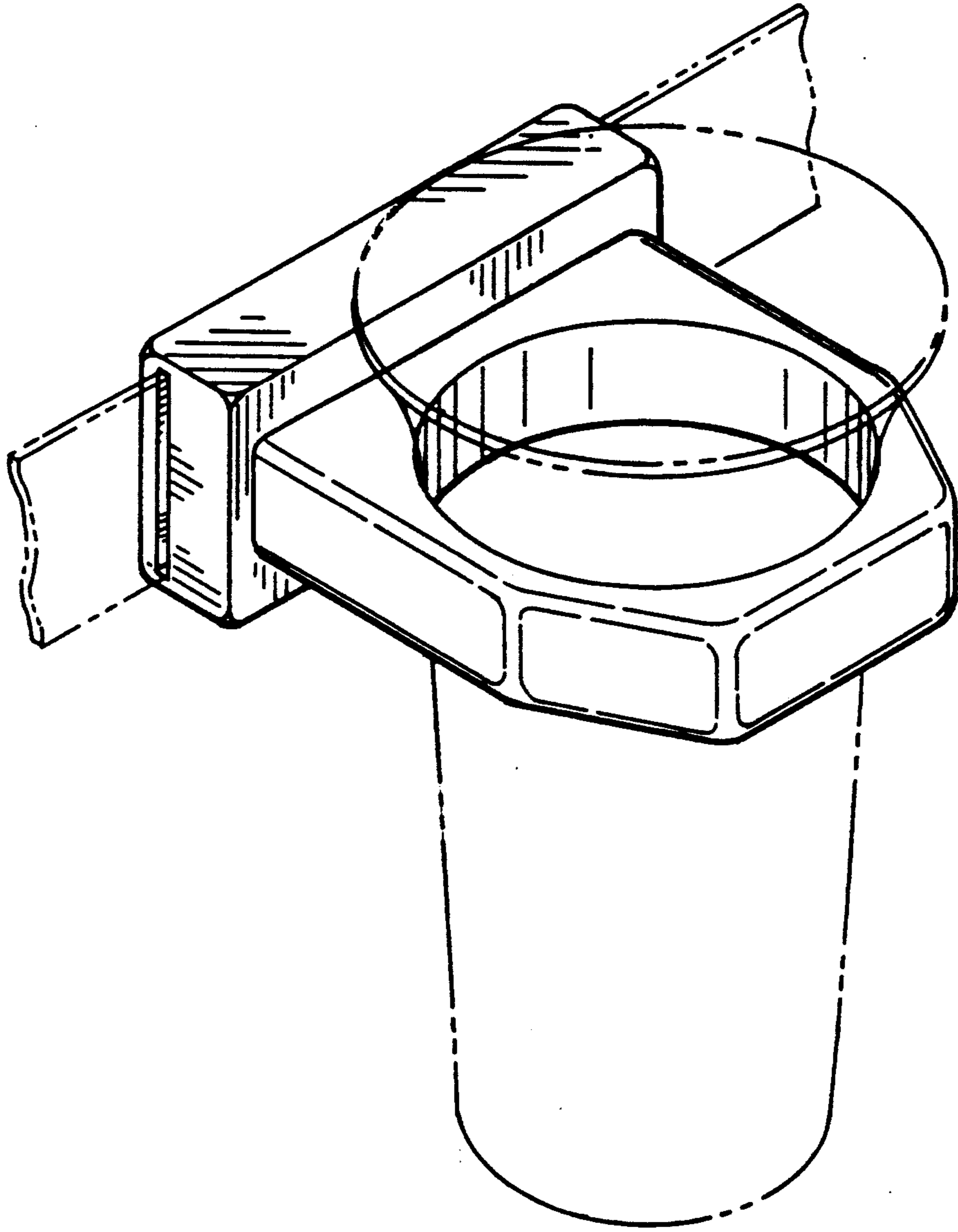


FIG. 1

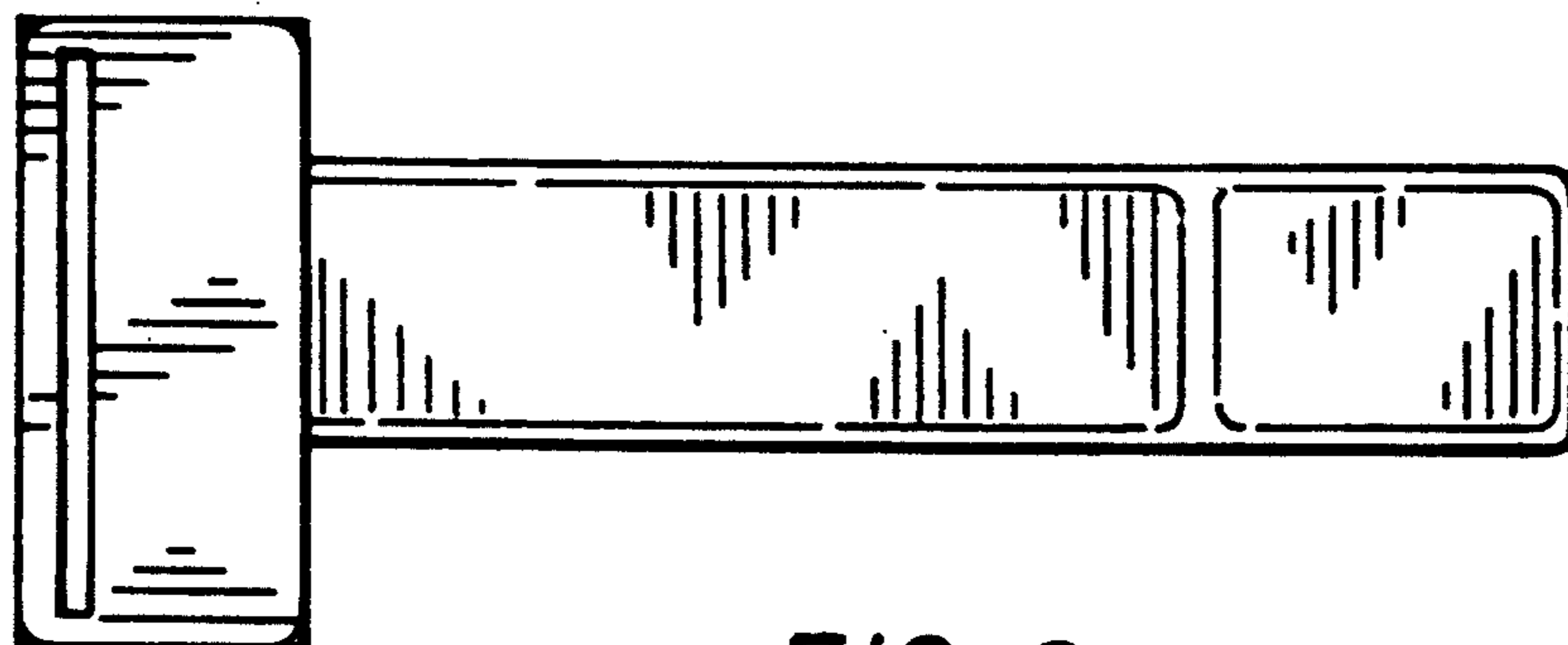


FIG. 2

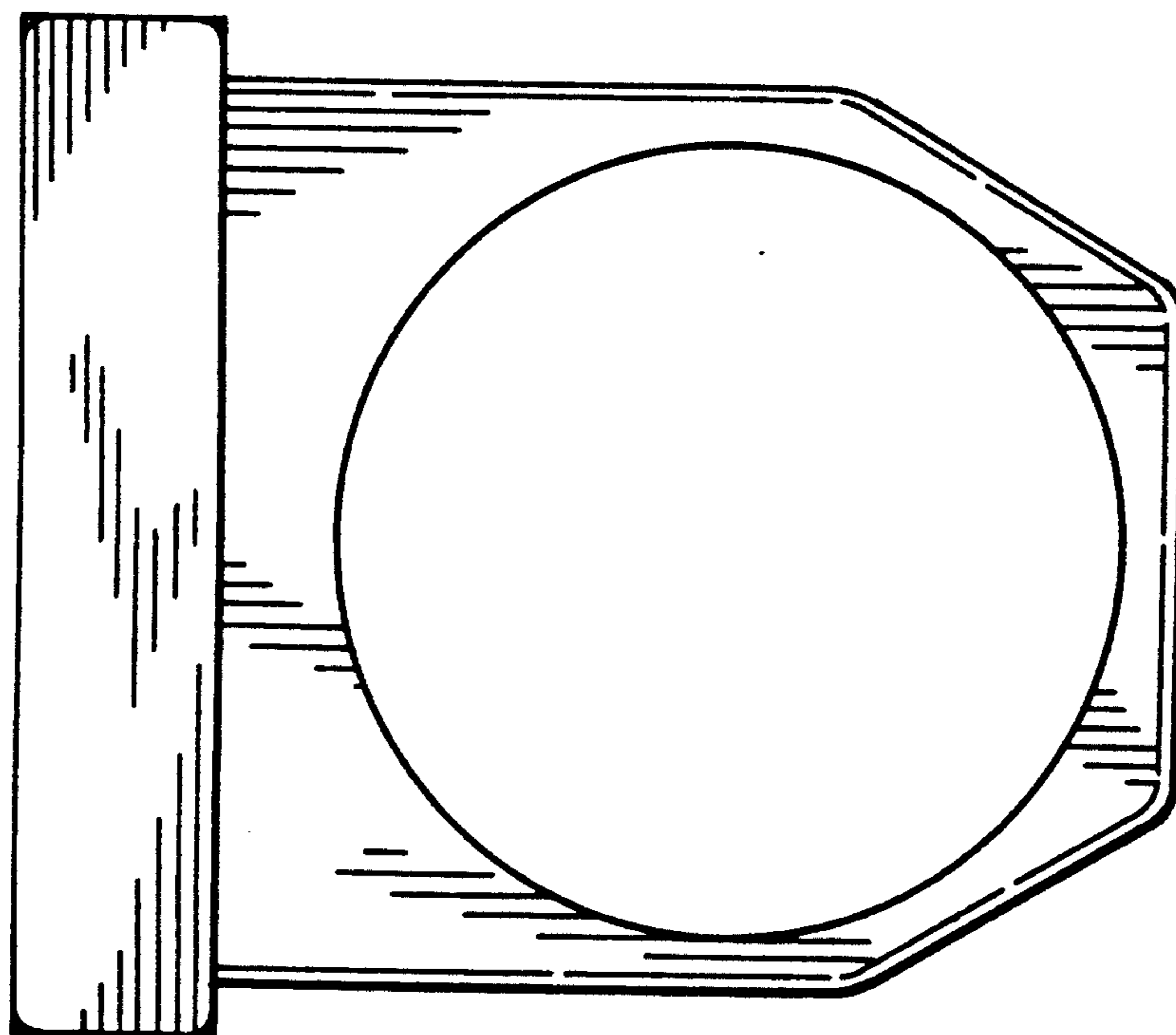


FIG. 3

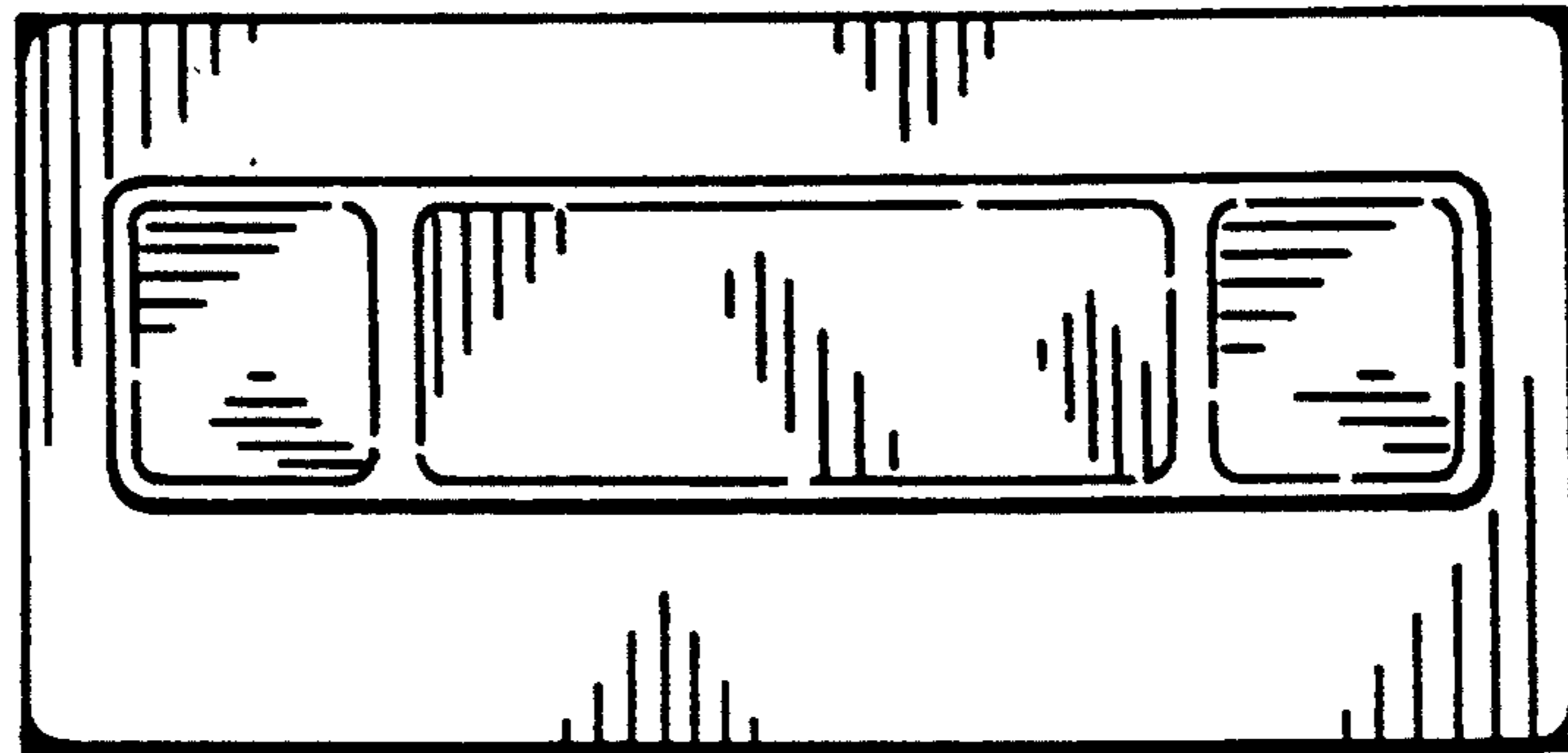


FIG. 4

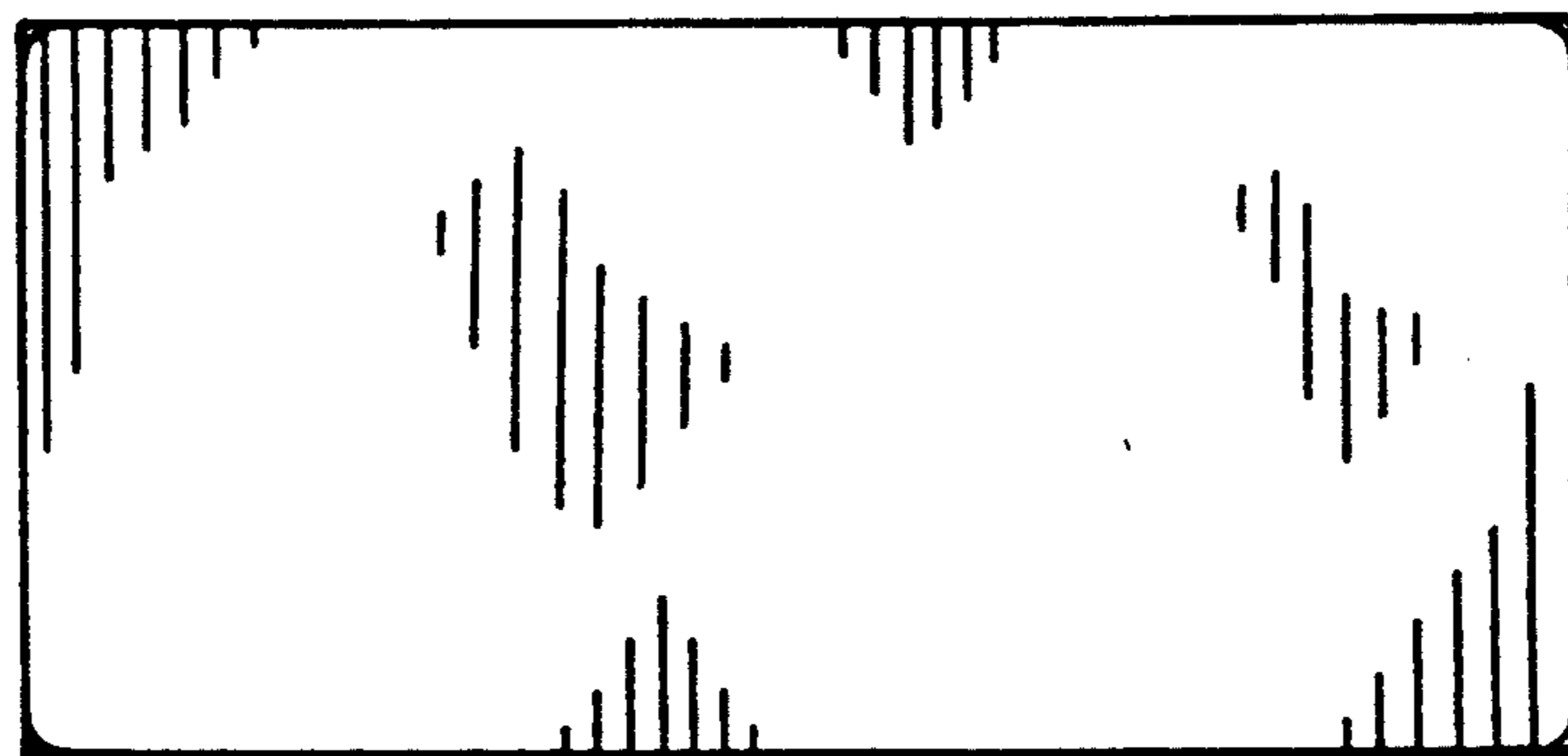


FIG. 5