



US00D348770S

United States Patent [19]

Christiansson

[11] Patent Number: **Des. 348,770**

[45] Date of Patent: **** Jul. 19, 1994**

[54] **CASE FOR FLOPPY DISKS**

[75] Inventor: **Lars-Erik Christiansson, Trelleborg, Sweden**

[73] Assignee: **ABA Systems Svenska AB, Malmö, Sweden**

[**] Term: **14 Years**

[21] Appl. No.: **943,212**

[22] Filed: **Sep. 11, 1992**

[30] **Foreign Application Priority Data**

Mar. 11, 1992 [SE] Sweden 92 0542

[52] U.S. Cl. **D6/630; D6/631**

[58] Field of Search D3/30.1, 35, 74; D9/423, 432, 341, 424; 206/387, 425, 444, 562-564; 312/9.54; D19/75, 76

[56] **References Cited**

U.S. PATENT DOCUMENTS

D. 183,777 10/1958 Weiss D9/424

D. 201,398	6/1965	Burns et al.	D9/425
D. 233,628	11/1974	Dunning	D9/425
D. 257,496	11/1980	Berkman	D3/35
D. 277,797	2/1985	Chabot	D9/425
D. 304,804	11/1989	Young	D9/341
D. 318,420	7/1991	Amelse	D9/341
3,791,547	2/1974	Branscum	206/563
4,593,816	6/1986	Langenbeck	206/425

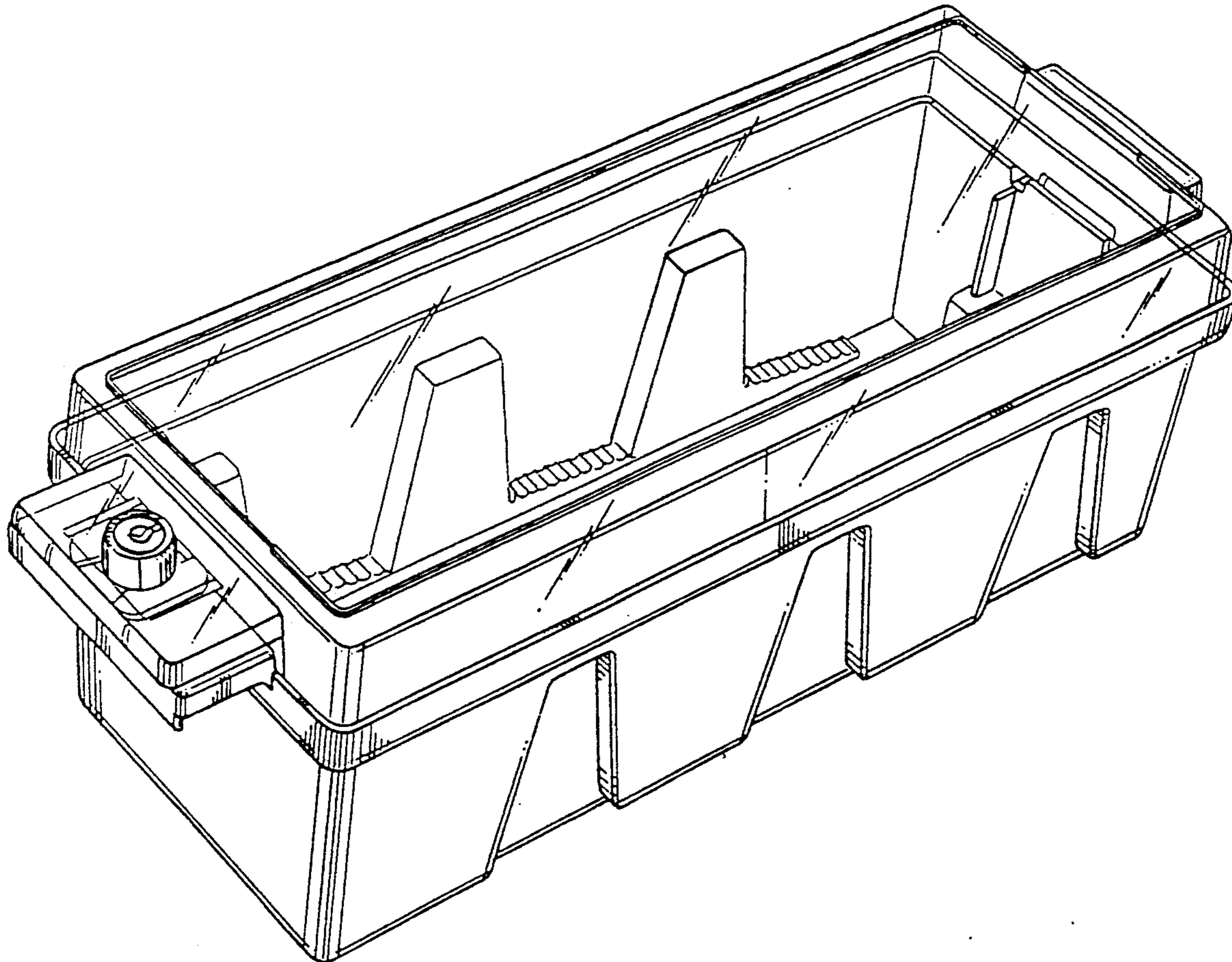
Primary Examiner—A. Hugo Word
Assistant Examiner—Celia A. Murphy

[57] **CLAIM**

The ornamental design for a case for floppy disks, as shown and described.

DESCRIPTION

FIG. 1 is a top perspective view of a case for floppy disks showing my new design; FIG. 2 is a bottom perspective view thereof; FIG. 3 is a top perspective view of the bottom component thereof; FIG. 4 is a bottom perspective view of FIG. 3; and, FIG. 5 is a top plan view of FIG. 3.



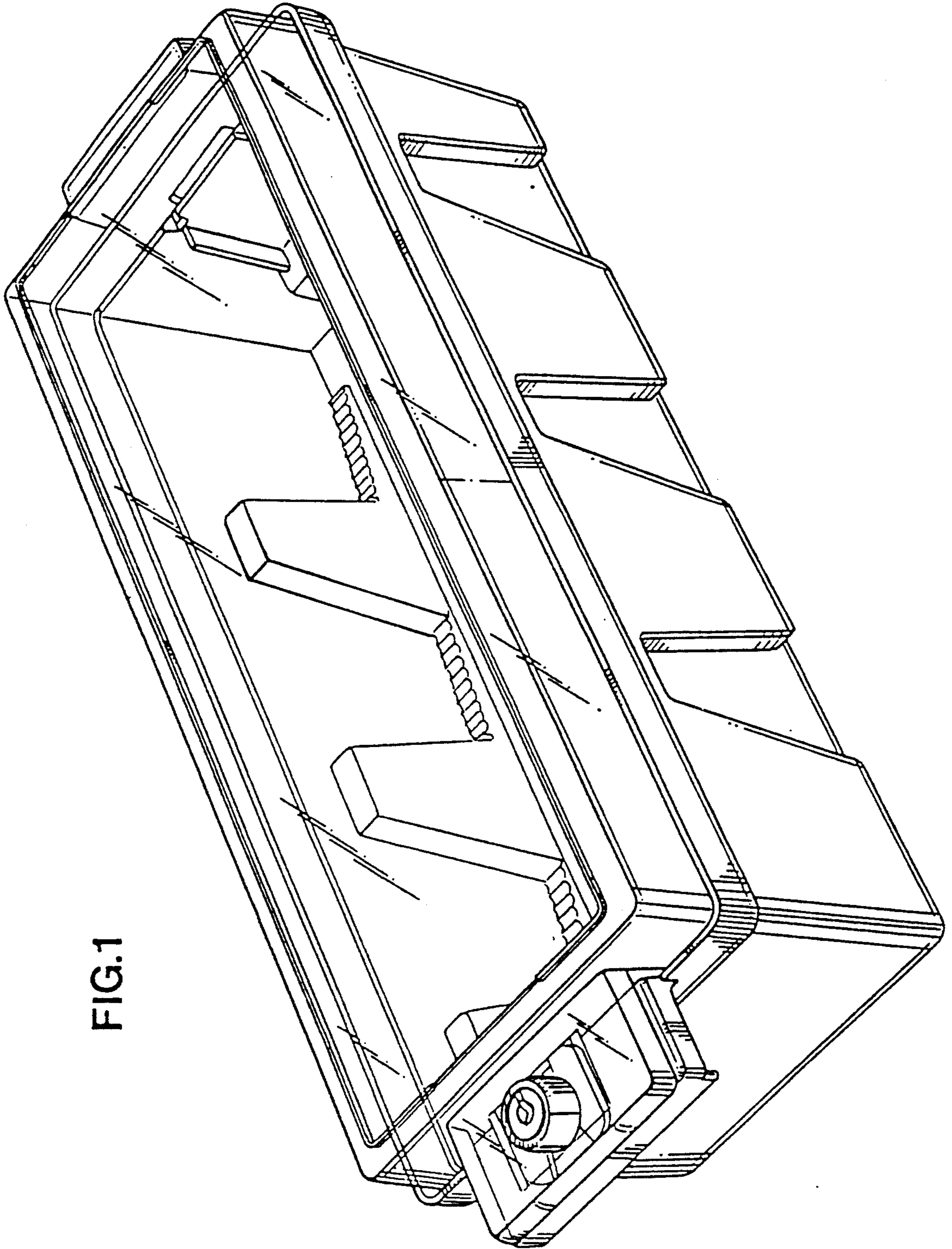
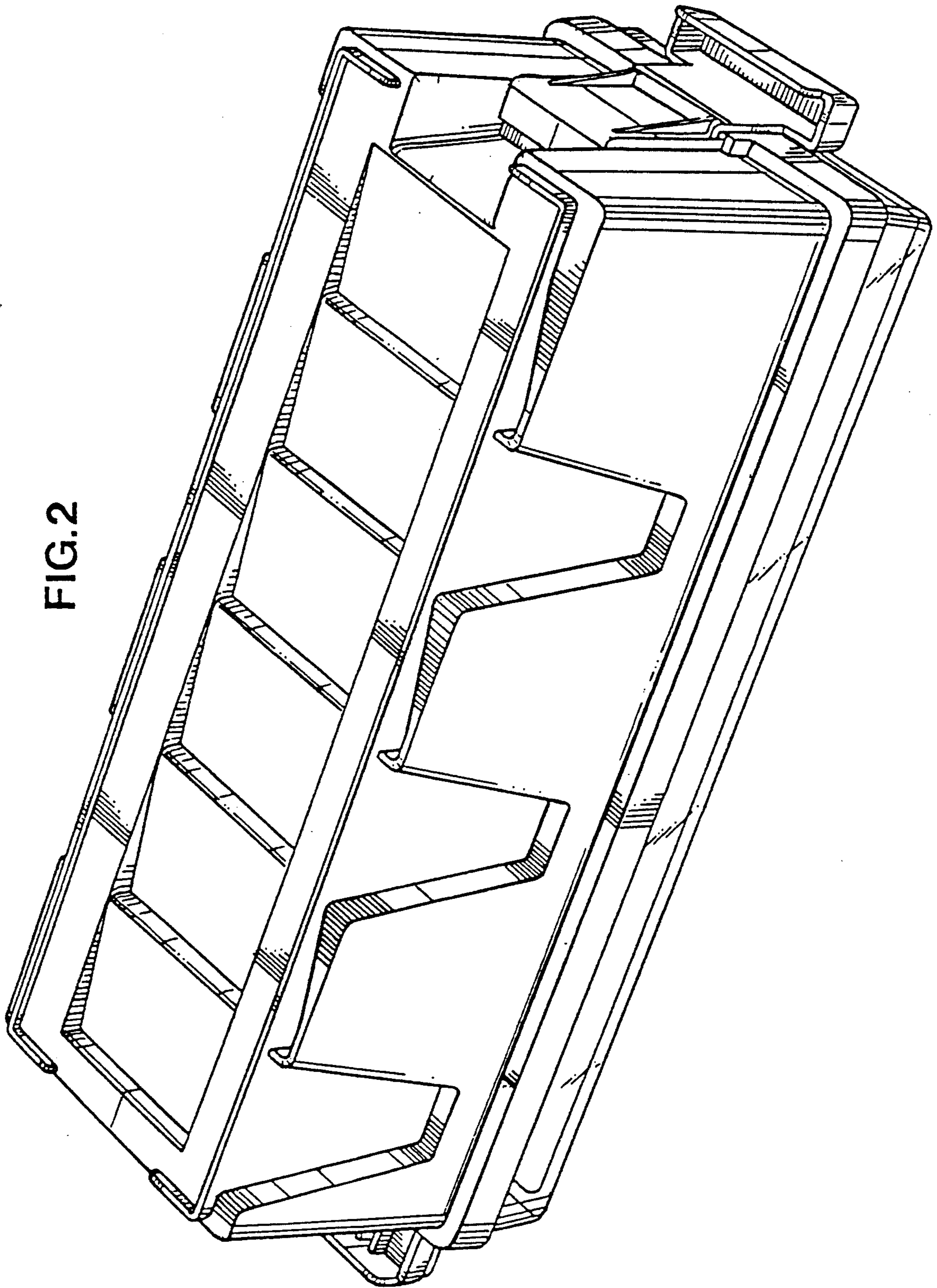


FIG.1

FIG. 2



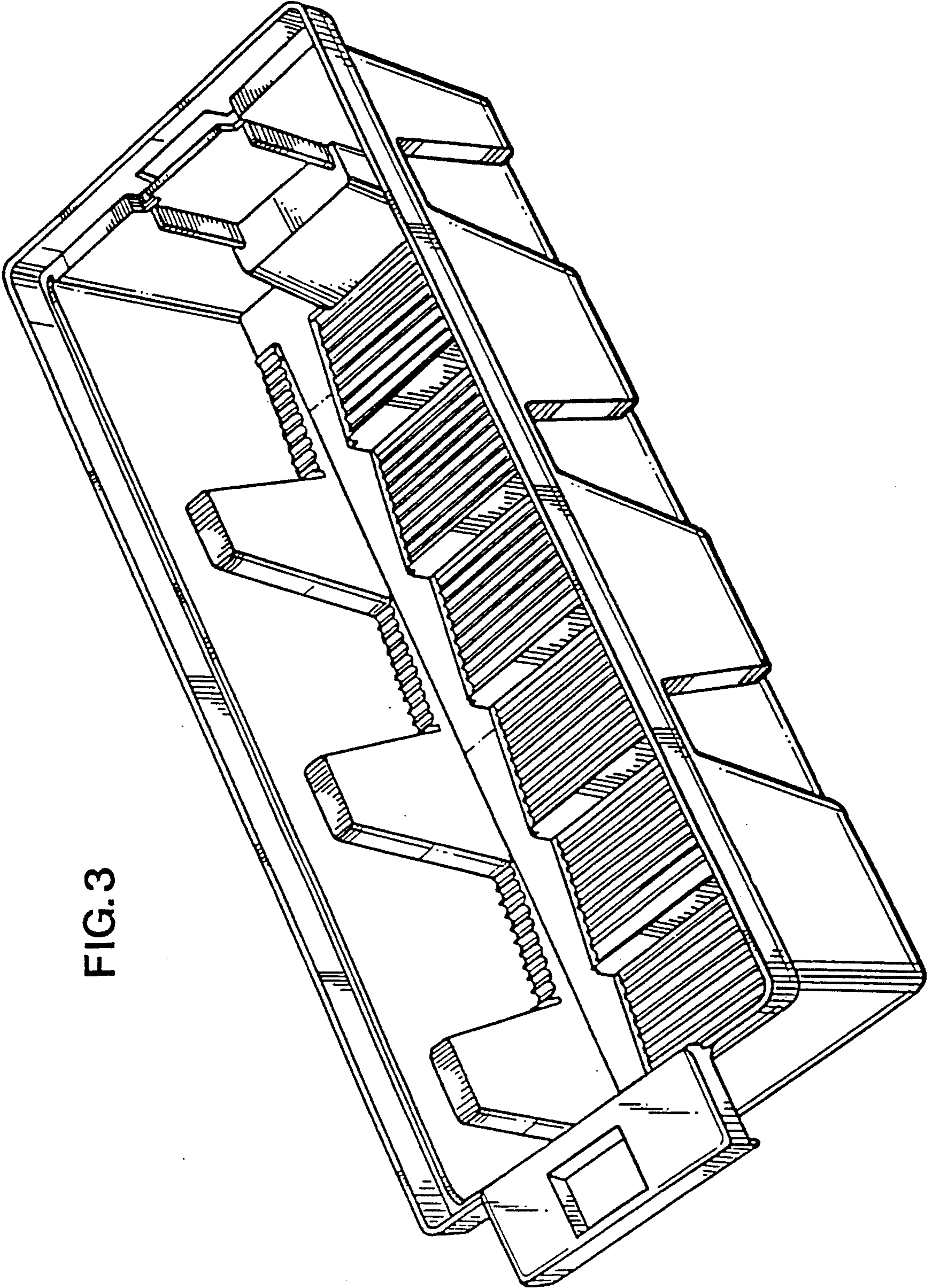


FIG. 3

FIG. 4

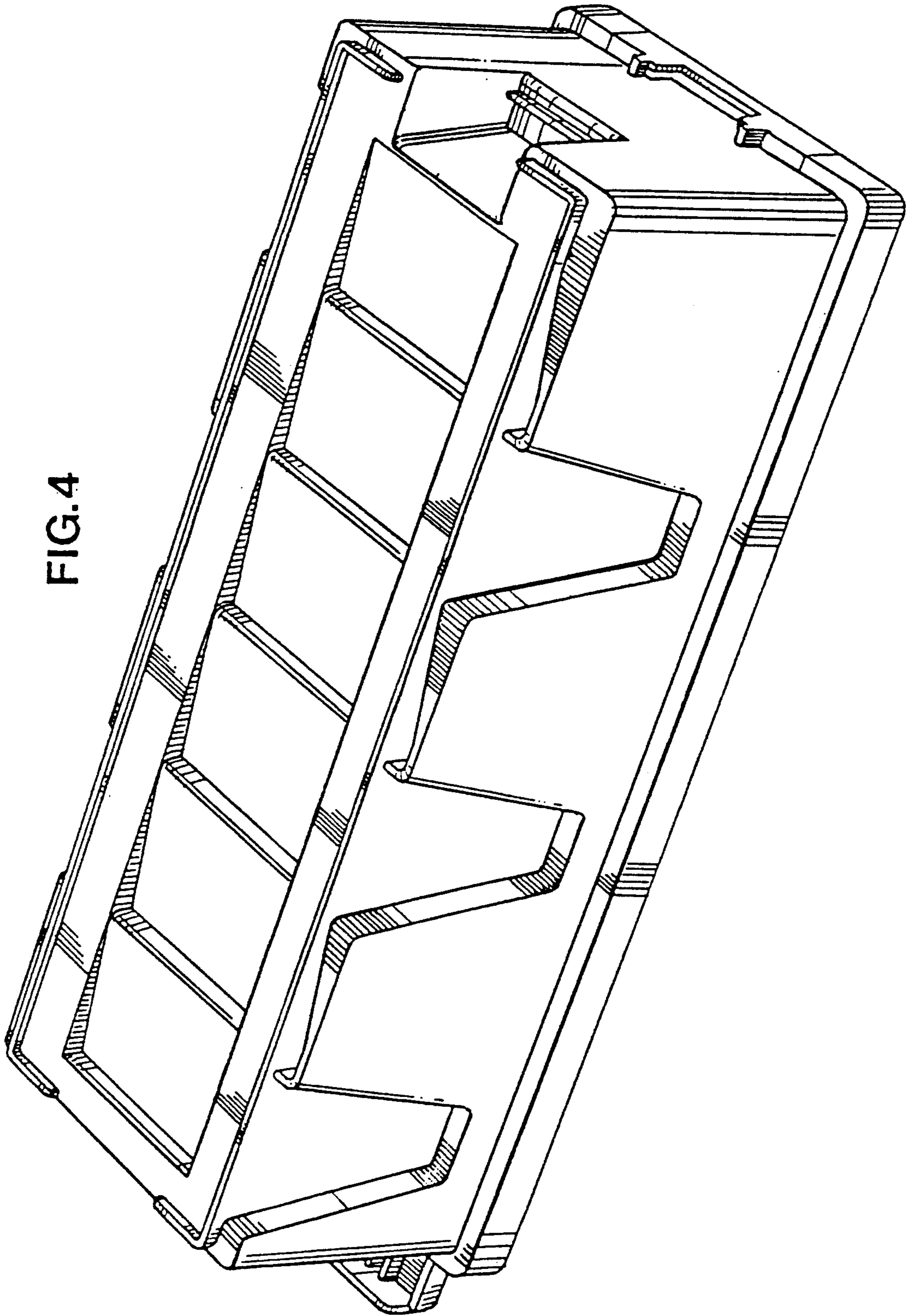


FIG. 5

