



US00D348769S

United States Patent [19]

[11] Patent Number: **Des. 348,769**

Roskvist et al.

[45] Date of Patent: **** Jul. 19, 1994**

[54] **COMBINED CASSETTE BOX, LID AND SUSPENSION HANDLE**

D. 285,215	8/1986	Roskvist	D3/35
D. 319,728	9/1991	Kohler	D6/407
3,565,282	2/1971	Staar	D3/35
4,366,904	1/1983	Roskvist	206/425
4,545,484	10/1985	Rohner	206/425
5,253,756	10/1993	Goekler	D3/35

[75] Inventors: **Per-Åke Roskvist, Malmö ;
Lars-Erik Christiansson, Trelleborg,
both of Sweden**

[73] Assignee: **ABA Systems Svenska Aktiebolag,
Malmö, Sweden**

Primary Examiner—A. Hugo Word
Assistant Examiner—Celia A. Murphy

[**] Term: **14 Years**

[57] **CLAIM**

[21] Appl. No.: **900,334**

The ornamental design for a combined cassette box, lid and suspension handle, as shown and described.

[22] Filed: **Jun. 18, 1992**

DESCRIPTION

[30] **Foreign Application Priority Data**

Dec. 18, 1991 [SE] Sweden 91 2535

[52] U.S. Cl. **D6/631**

[58] Field of Search D3/30.1, 35, 74;
D9/423, 432, 341, 424; 206/387, 425, 444,
562-564; 312/9.54; D19/75, 76

FIG. 1 is a top perspective view of a combined cassette box, lid and suspension handle showing my our new design;

FIG. 2 is a bottom perspective view thereof;

FIG. 3 is a top perspective view of the box component thereof;

FIG. 4 is a bottom perspective view of FIG. 3;

FIG. 5 is a top perspective view of the lid component thereof;

FIG. 6 is a bottom perspective view of FIG. 5;

FIG. 7 is a top perspective view of the suspension handle component thereof; and,

FIG. 8 is a bottom perspective view of FIG. 7.

[56] **References Cited**

U.S. PATENT DOCUMENTS

D. 180,765	8/1957	Briskin et al.	D3/35
D. 221,409	8/1971	Gerber	D3/35
D. 259,450	6/1981	Velarud	D3/35
D. 283,902	5/1986	Goertz	D3/35

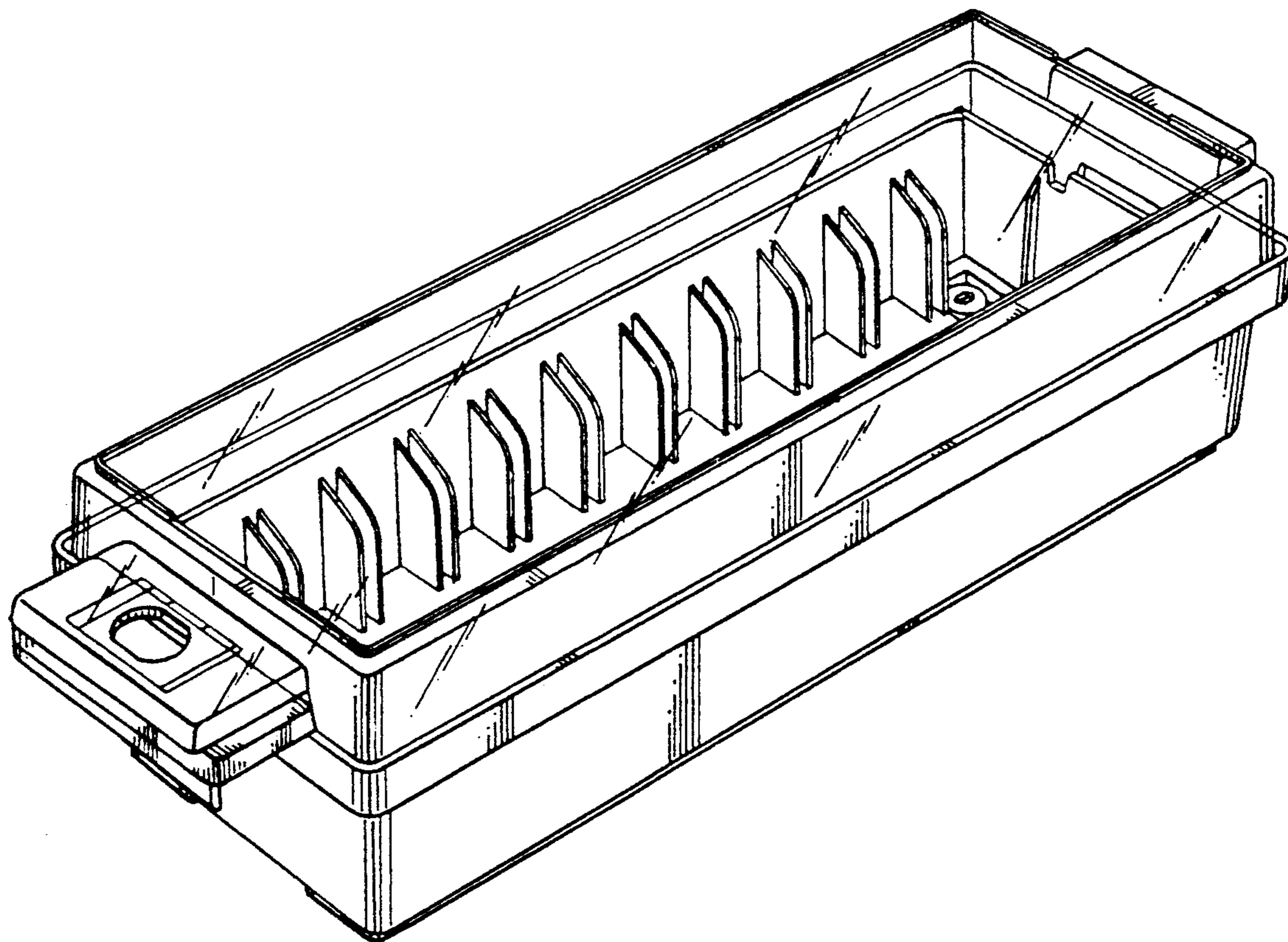


FIG.1

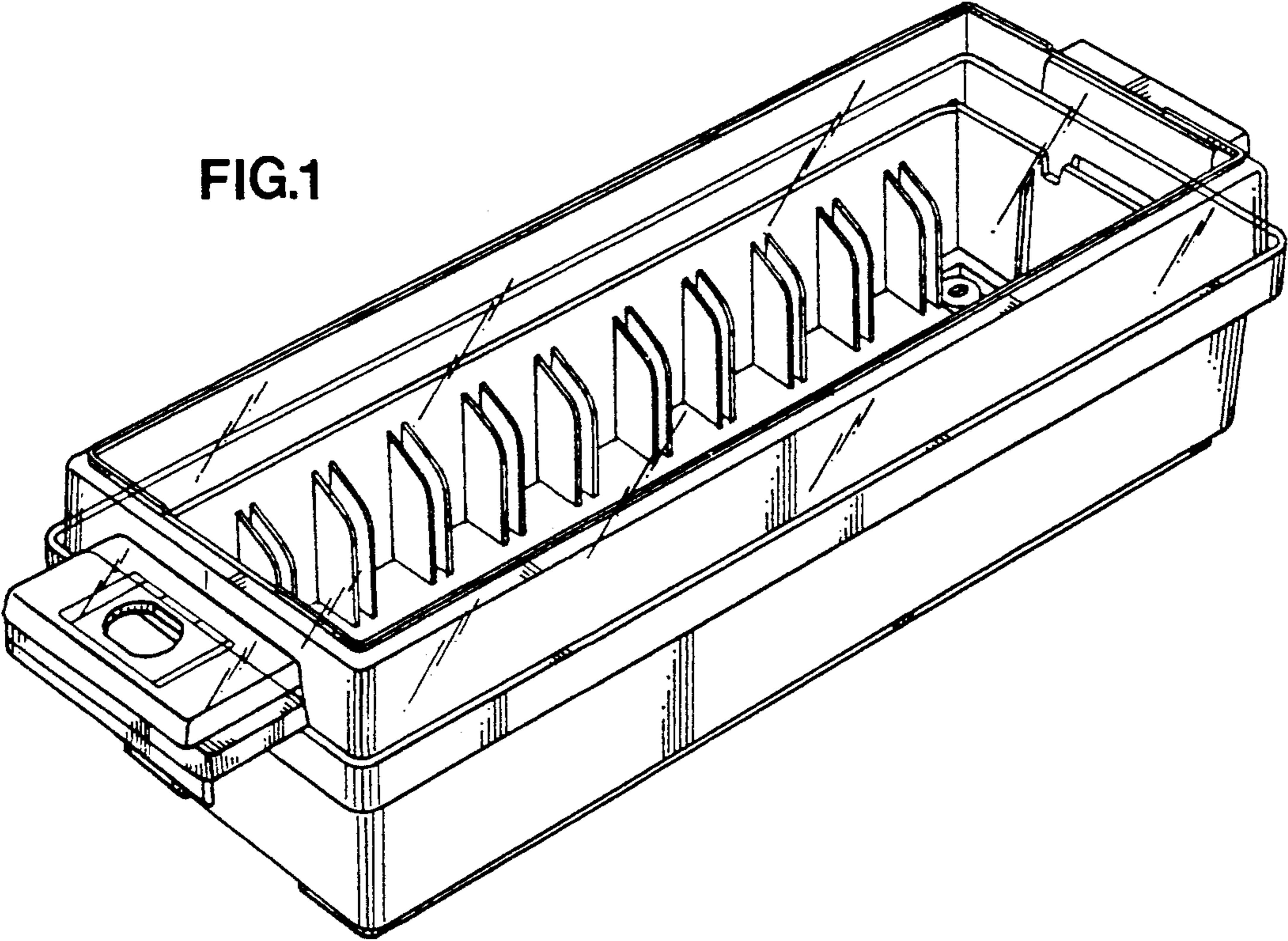


FIG.2

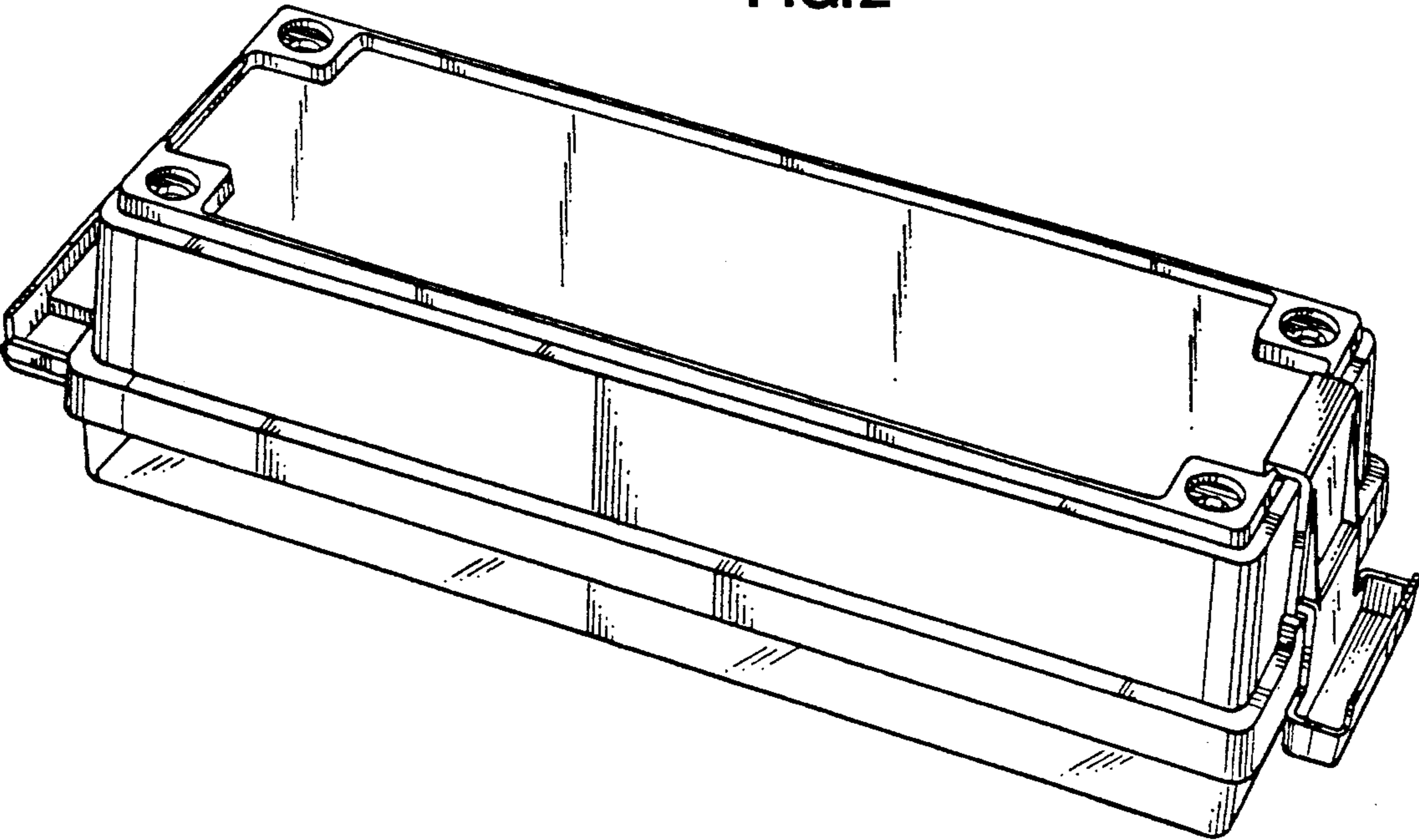


FIG.3

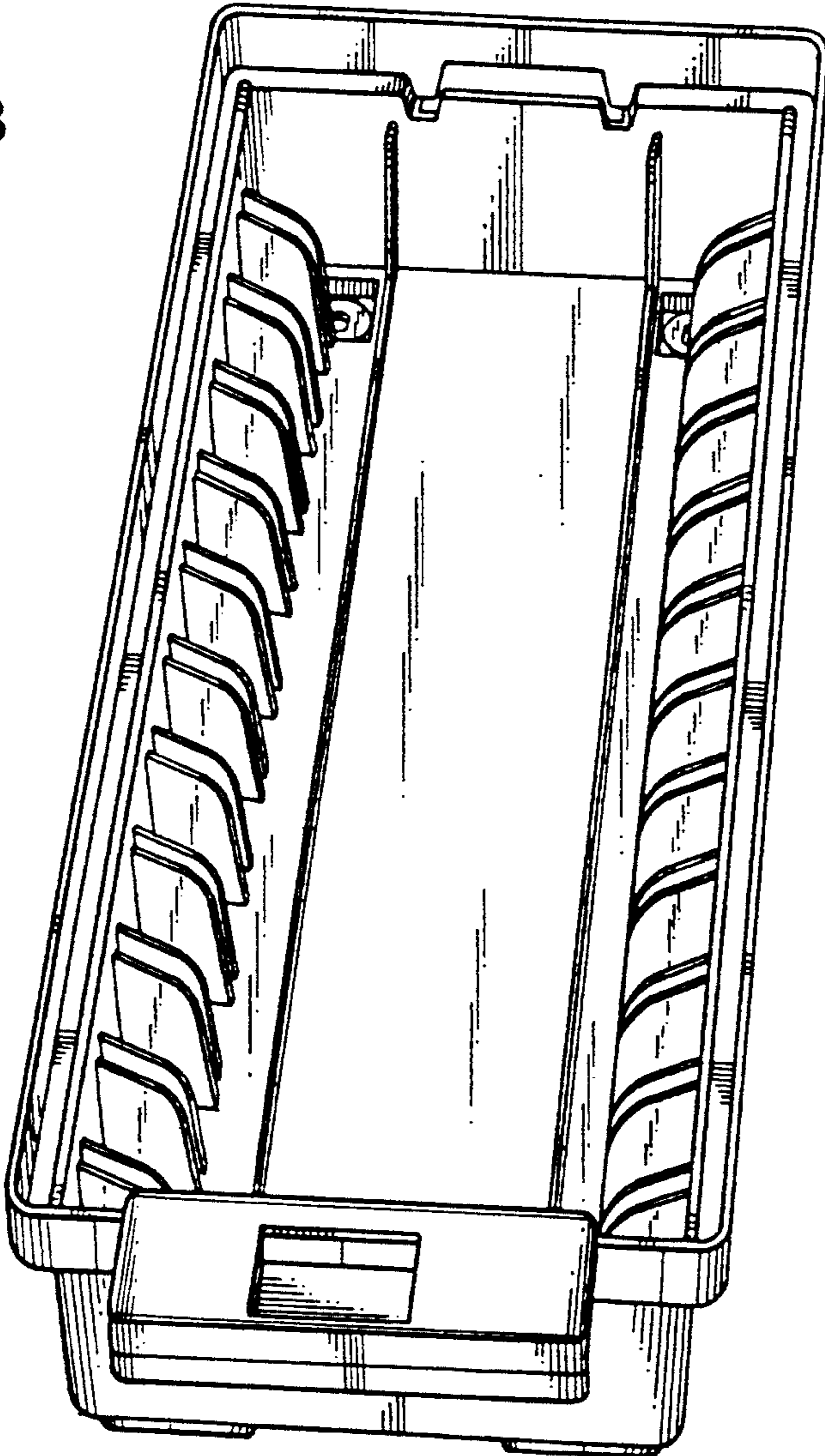


FIG.4

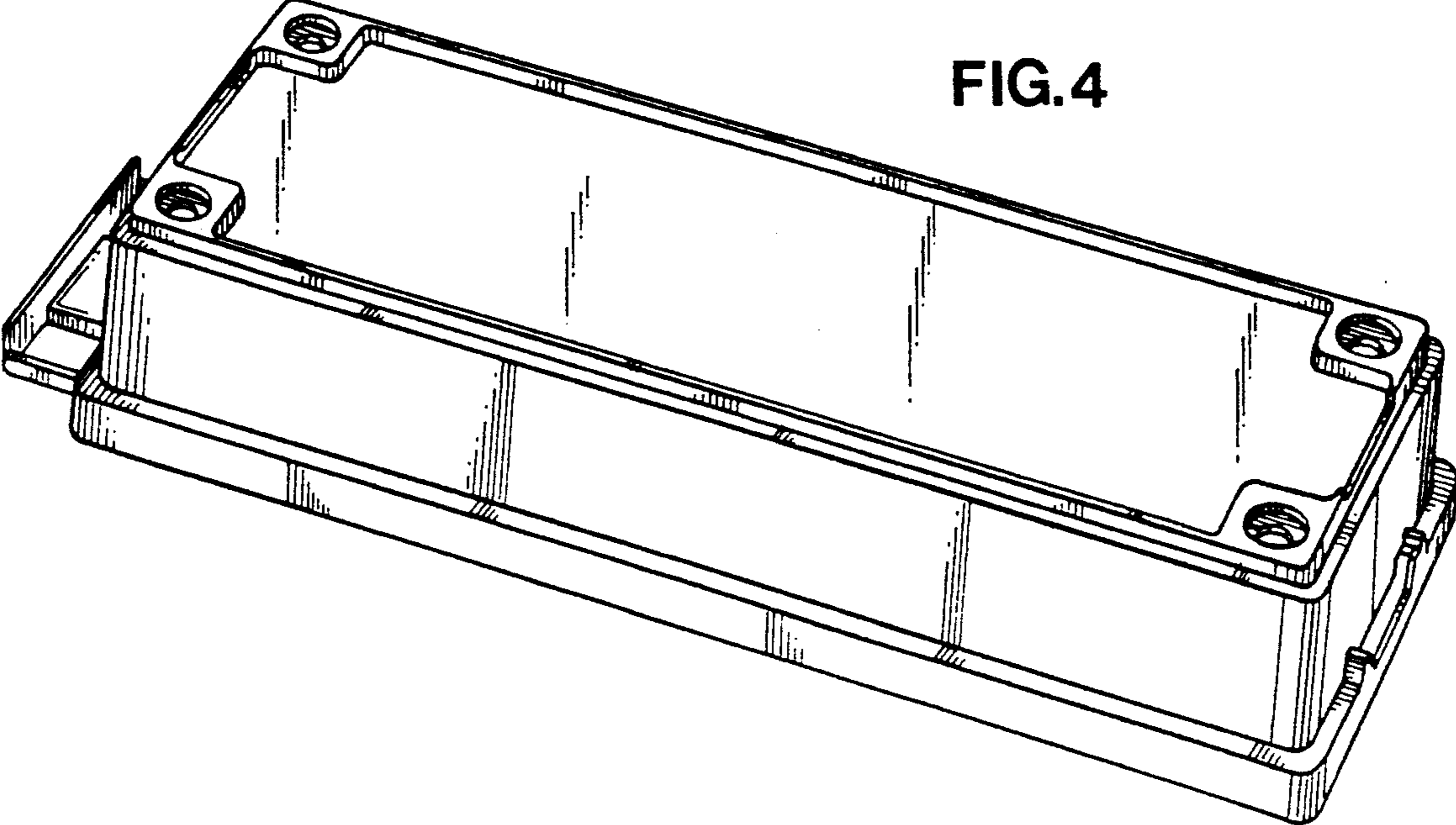


FIG.5

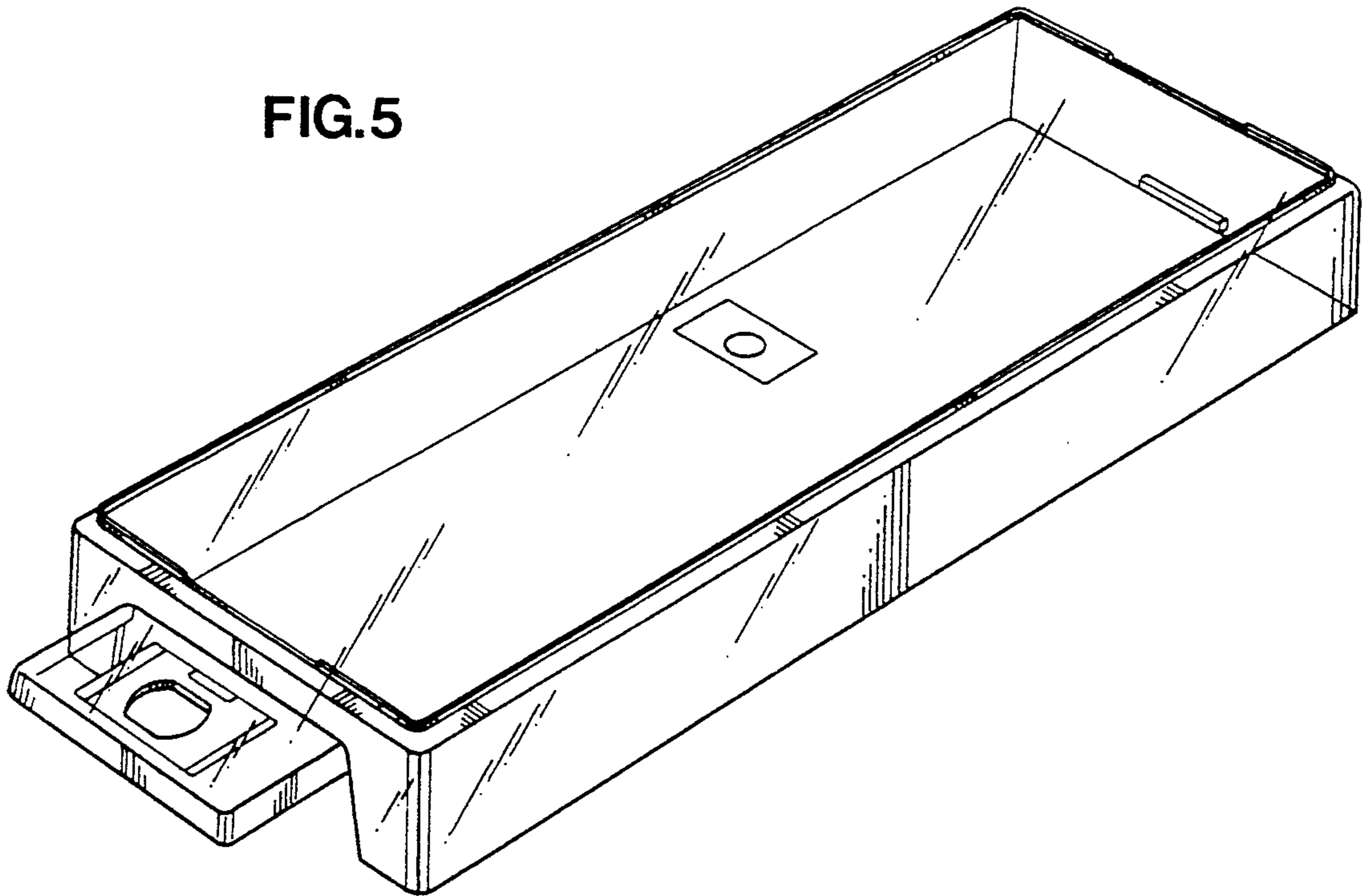


FIG.6

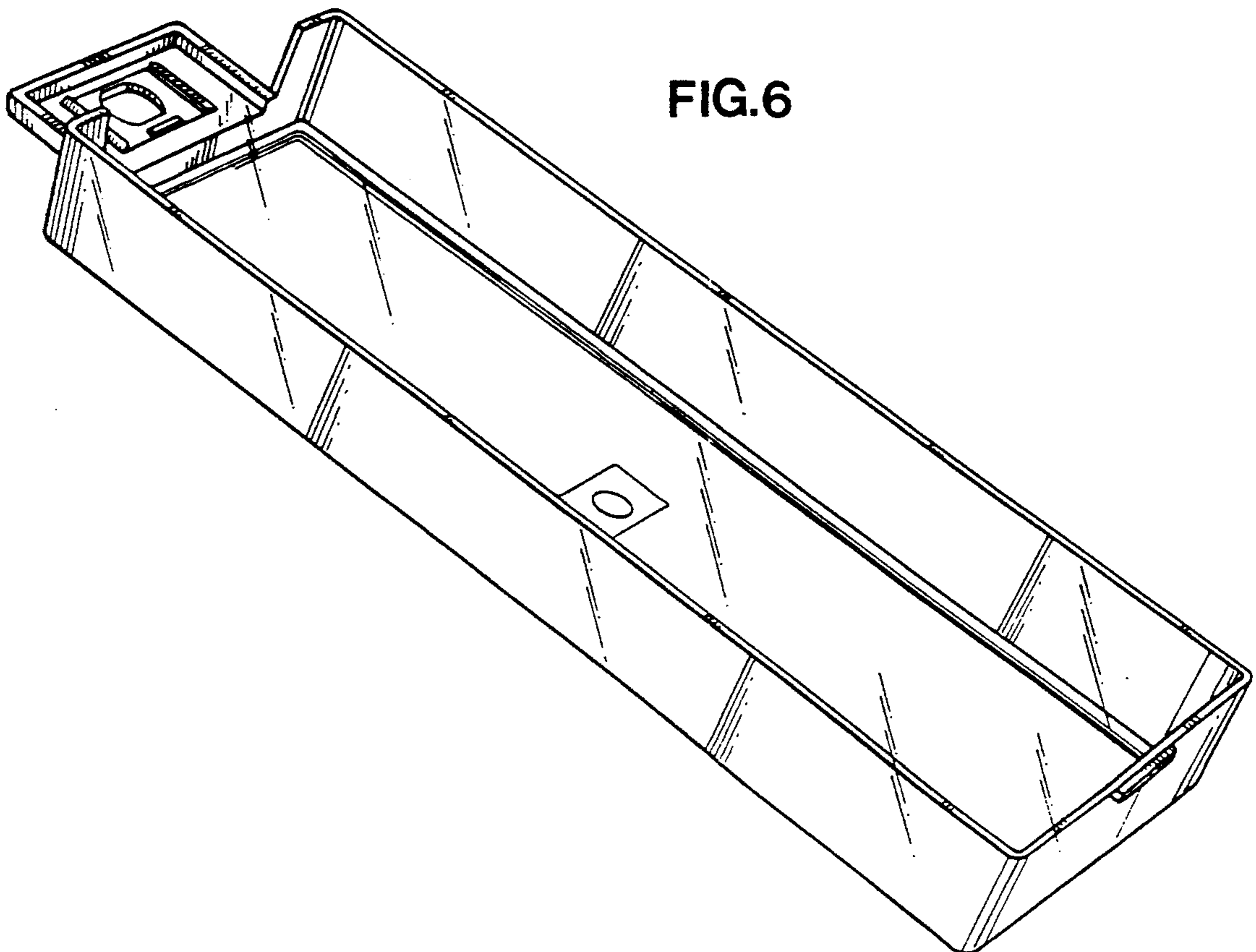


FIG.7

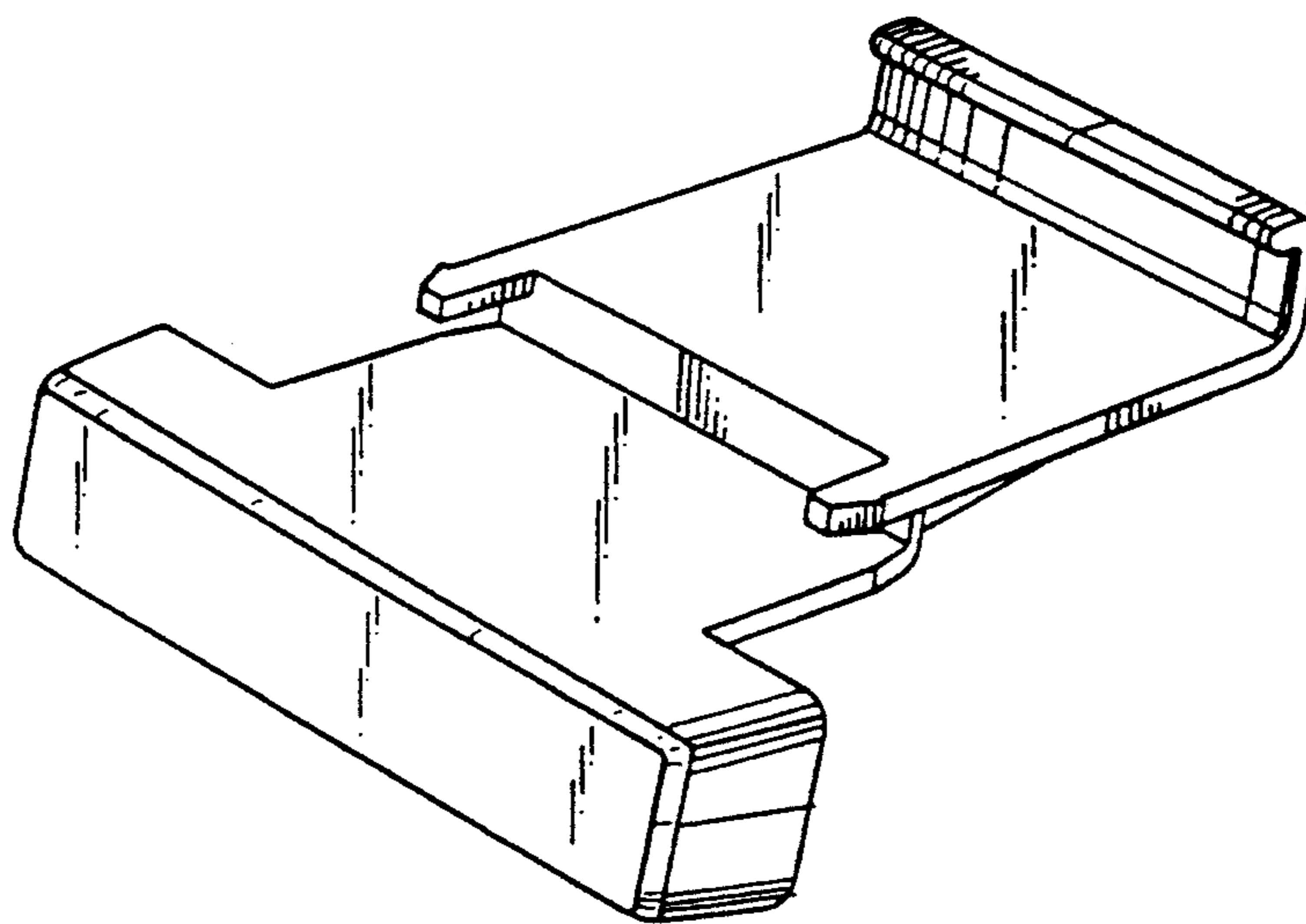


FIG.8

