



US00D348768S

United States Patent [19]

[11] Patent Number: **Des. 348,768**

Irwin

[45] Date of Patent: **** Jul. 19, 1994**

[54] **CROCHET CASE**

[76] Inventor: **Hassel R. Irwin**, 115 Sycamore Dr.,
Antioch, Calif. 94509

[**] Term: **14 Years**

[21] Appl. No.: **830,262**

[22] Filed: **Jan. 31, 1992**

[52] U.S. Cl. **D3/20**

[58] Field of Search **D3/18-29,**
D3/30.1, 39; 223/10.7; 312/107

[56] **References Cited**

U.S. PATENT DOCUMENTS

D. 265,867	8/1982	Margulis	D3/39
D. 289,105	4/1987	Sussman	D3/30.1
2,437,503	3/1948	Chase	D3/20 X
2,555,781	6/1951	Bristol	223/107 X
4,225,202	9/1980	Chandler	223/107 X
4,548,055	10/1985	MacDonald	223/107 X

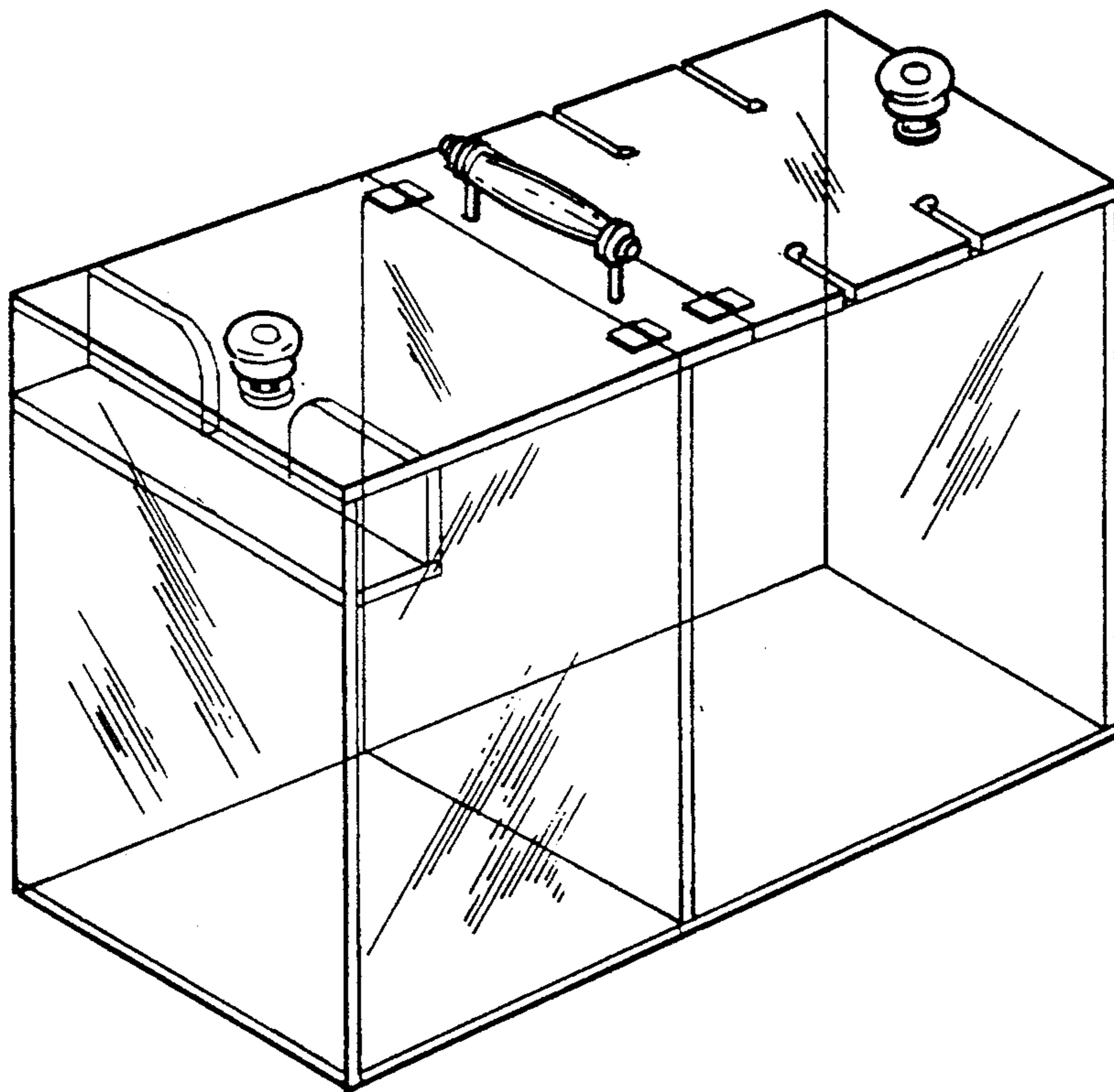
Primary Examiner—Louis S. Zarfaz
Attorney, Agent, or Firm—Harold D. Messner

[57] **CLAIM**

The ornamental design for a crochet case, as shown and described.

DESCRIPTION

FIG. 1 is a perspective view of a crochet case showing my new design;
 FIG. 2 is a section taken along line 2—2 of FIG. 4 of my design;
 FIG. 3 is a right side elevational view of my design;
 FIG. 4 is a front elevational view of my design of a crochet case;
 FIG. 5 is a left side elevational view of my design;
 FIG. 6 is a rear elevational view of my design of a crochet case;
 FIG. 7 is a top plan view thereof; and,
 FIG. 8 is a bottom plan view thereof.



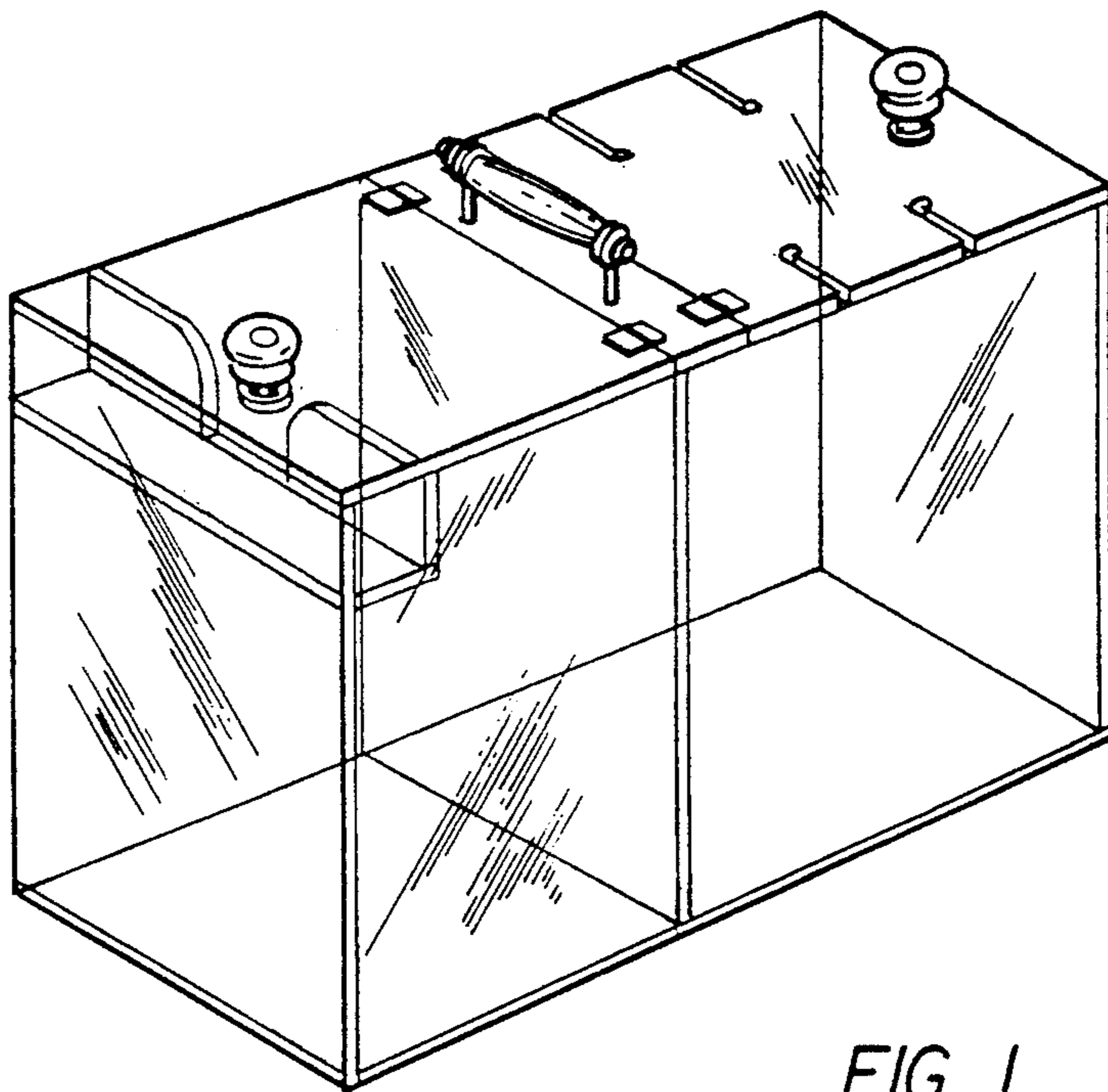


FIG. 1

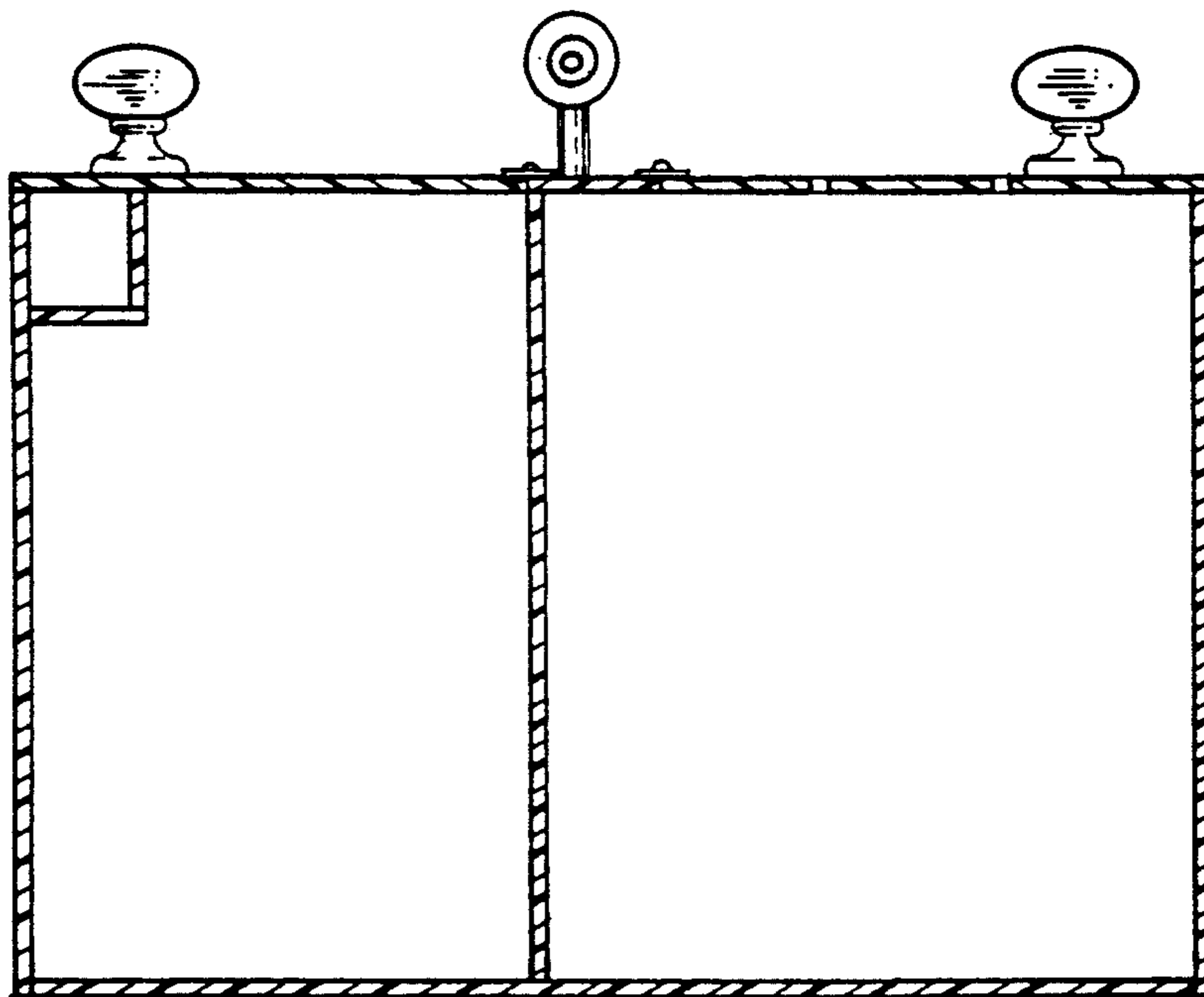


FIG. 2

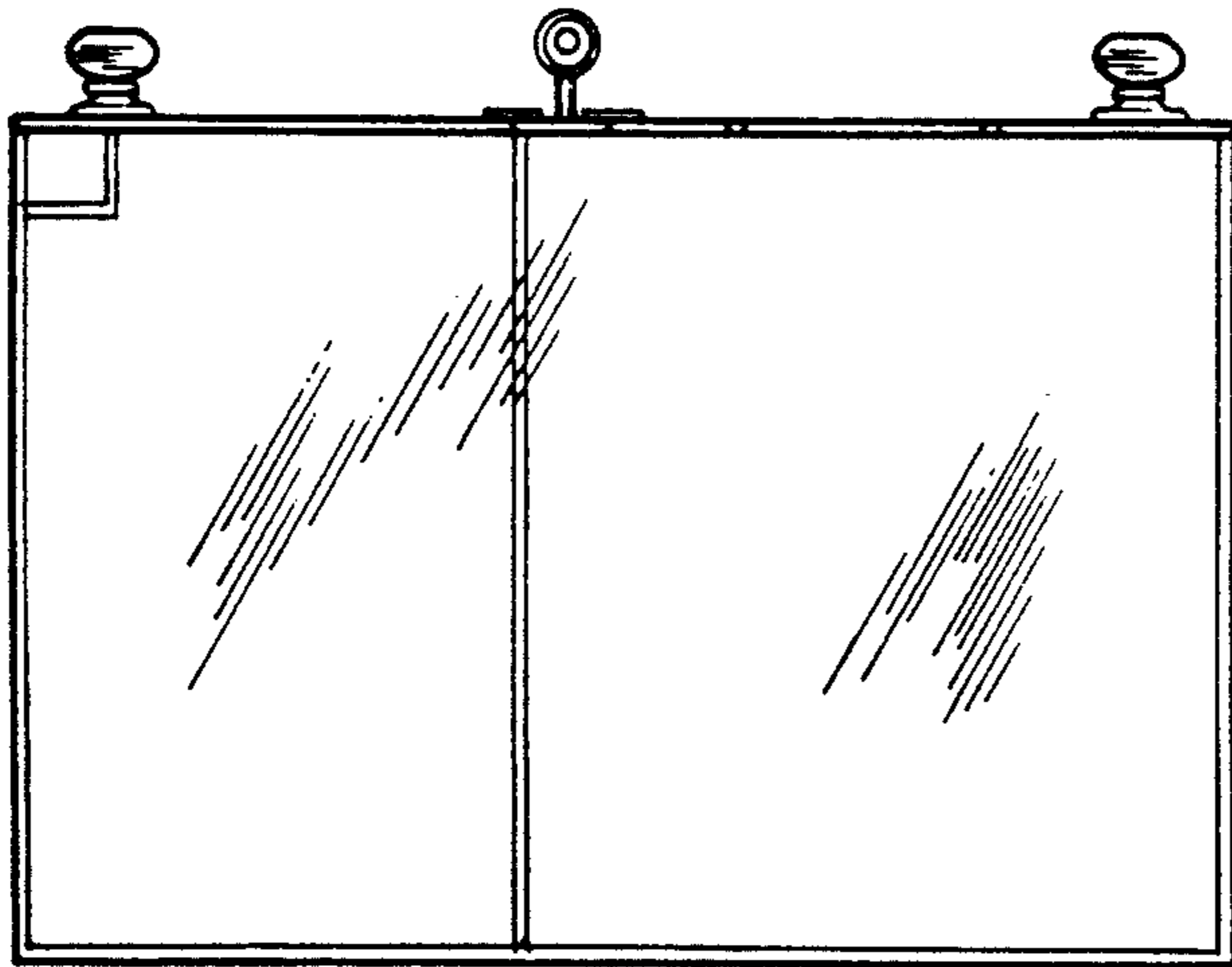


FIG. 3

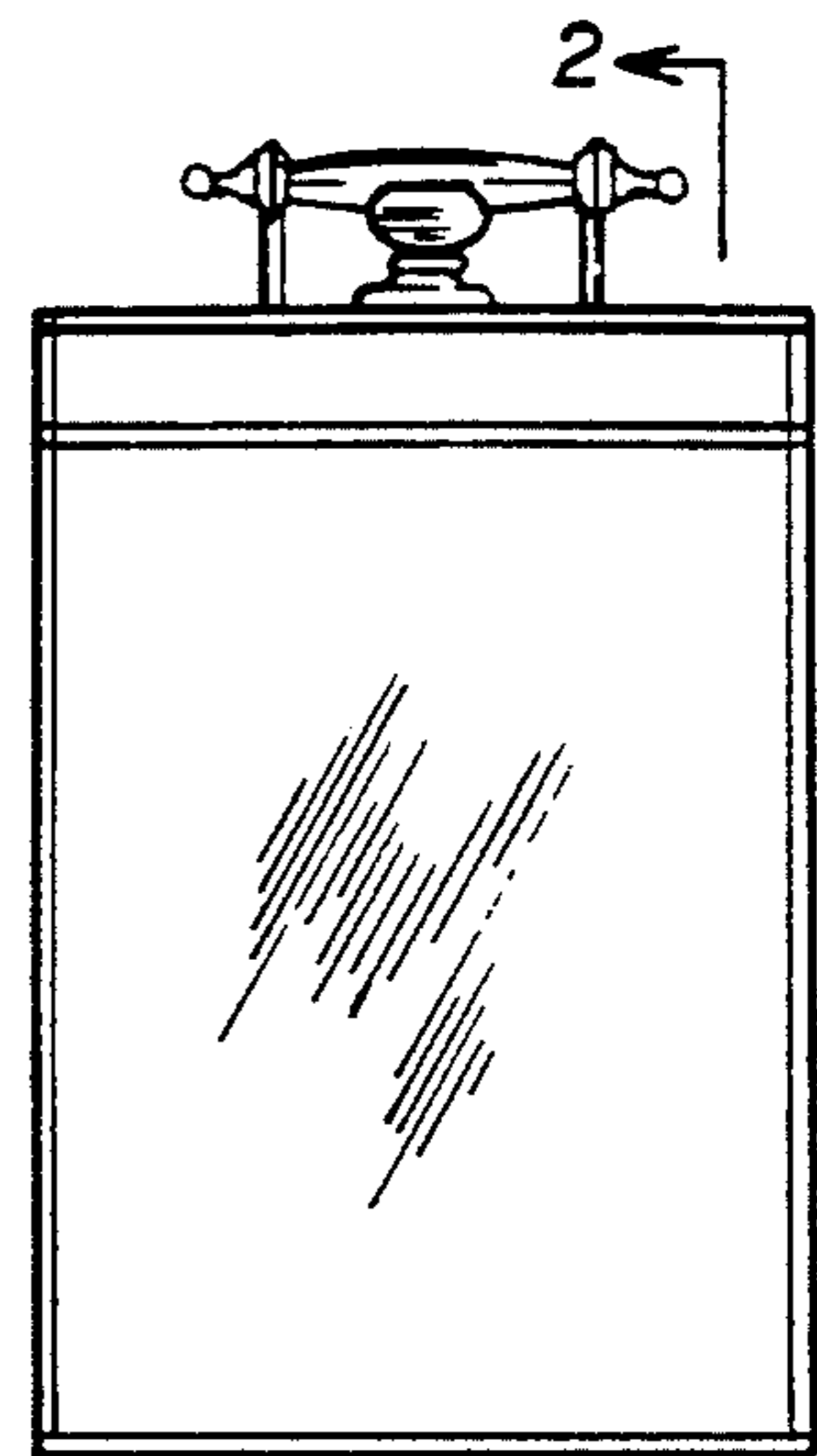


FIG. 4 2 ←

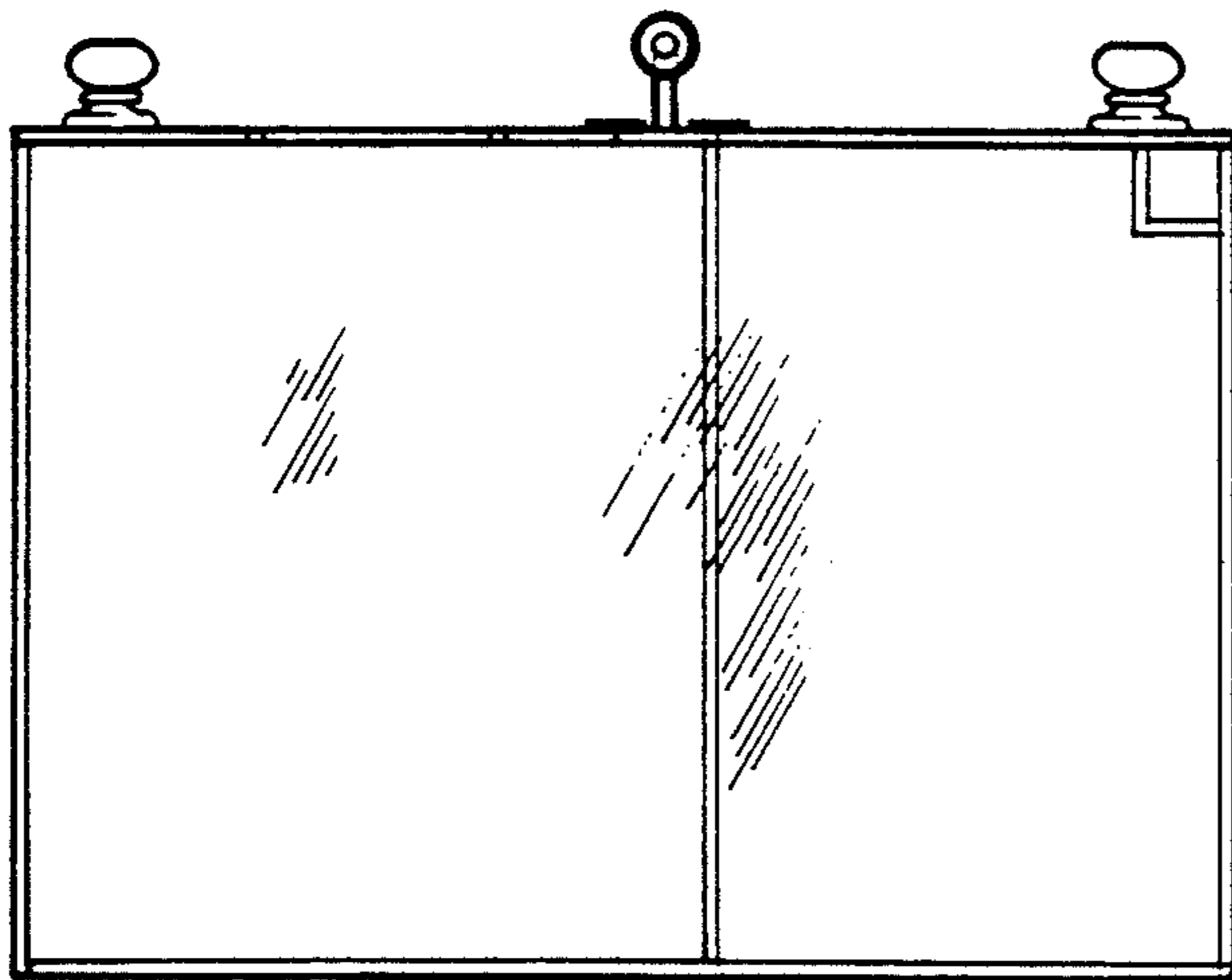


FIG. 5

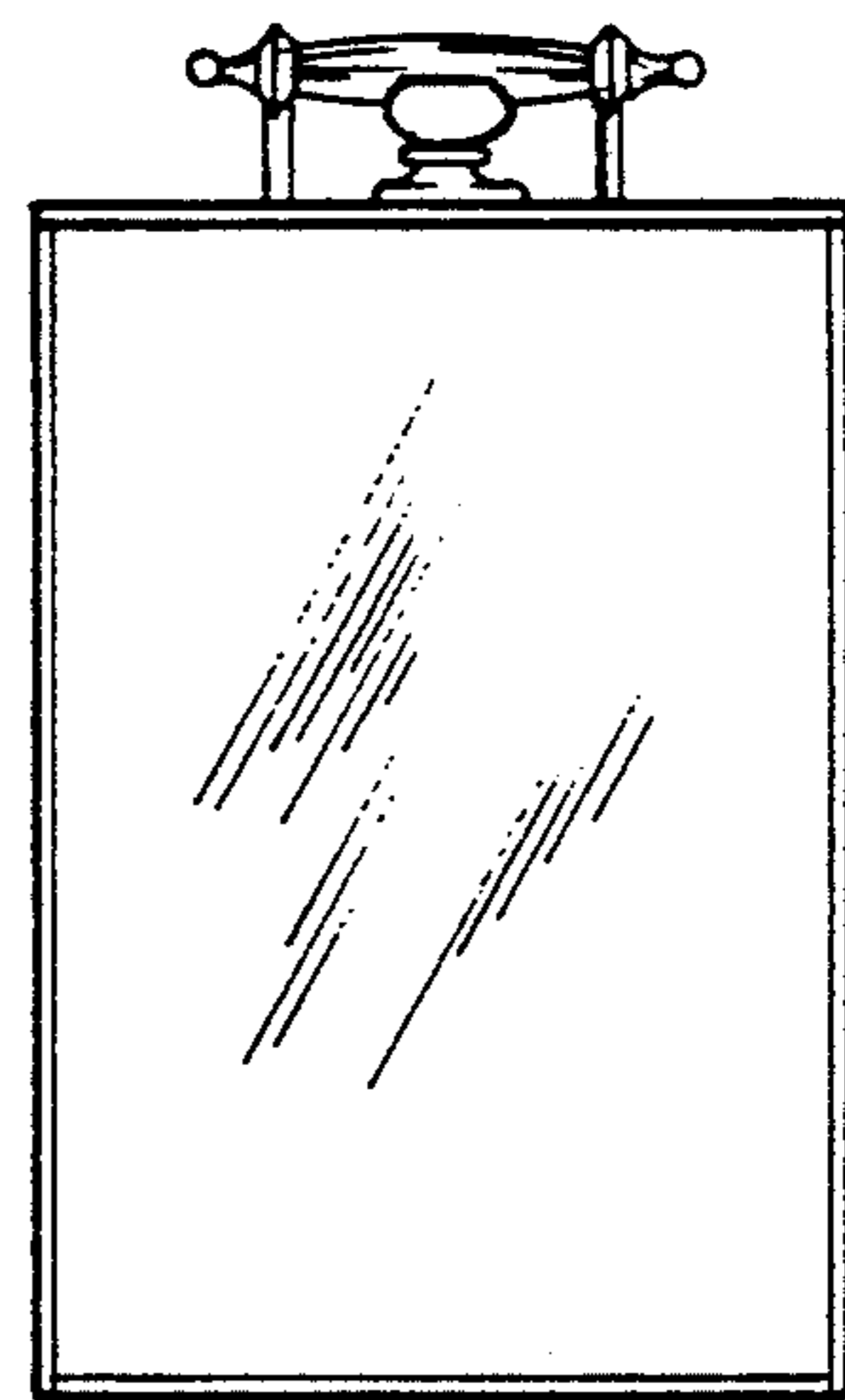


FIG. 6 2 ←

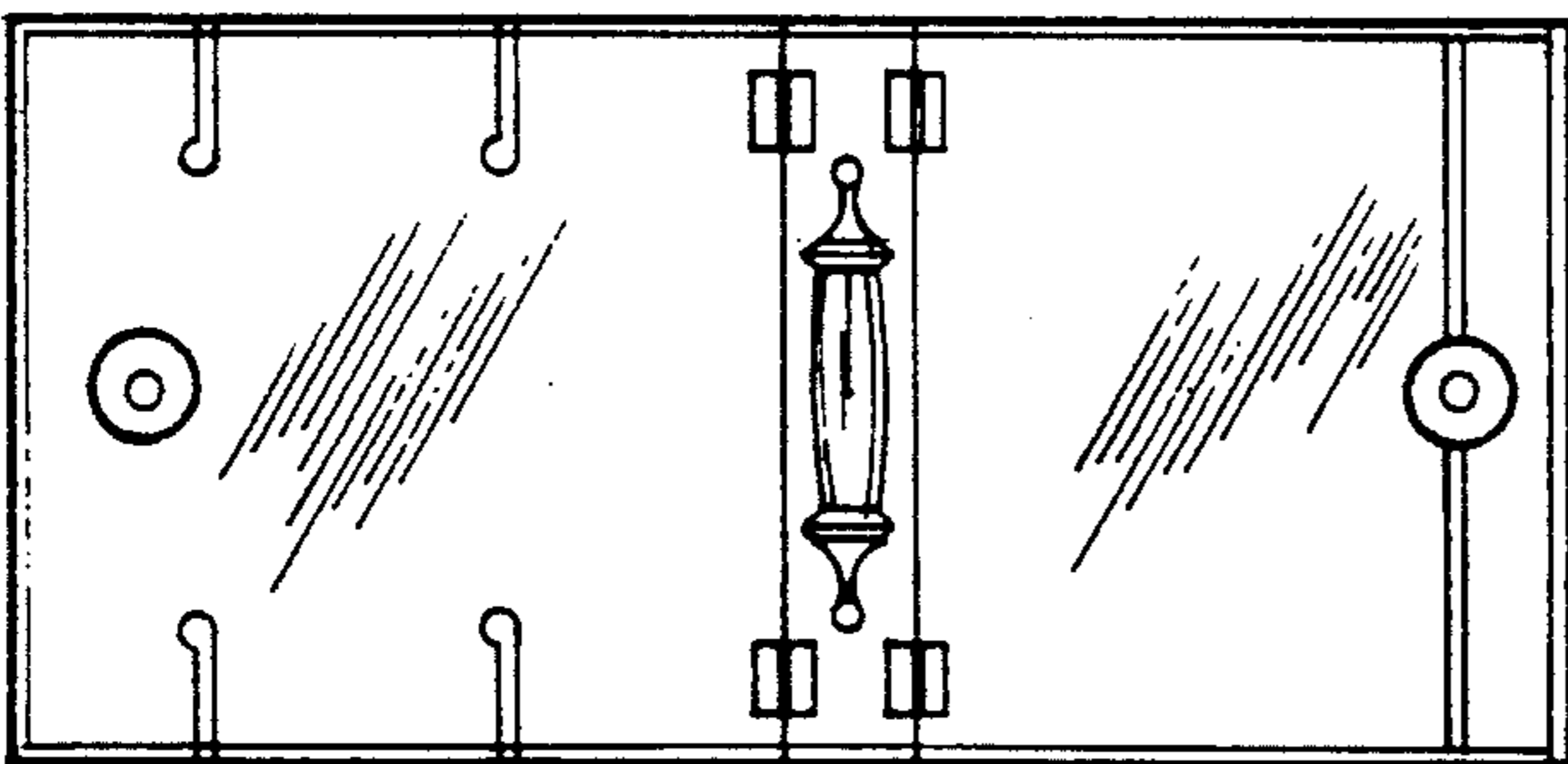


FIG. 7

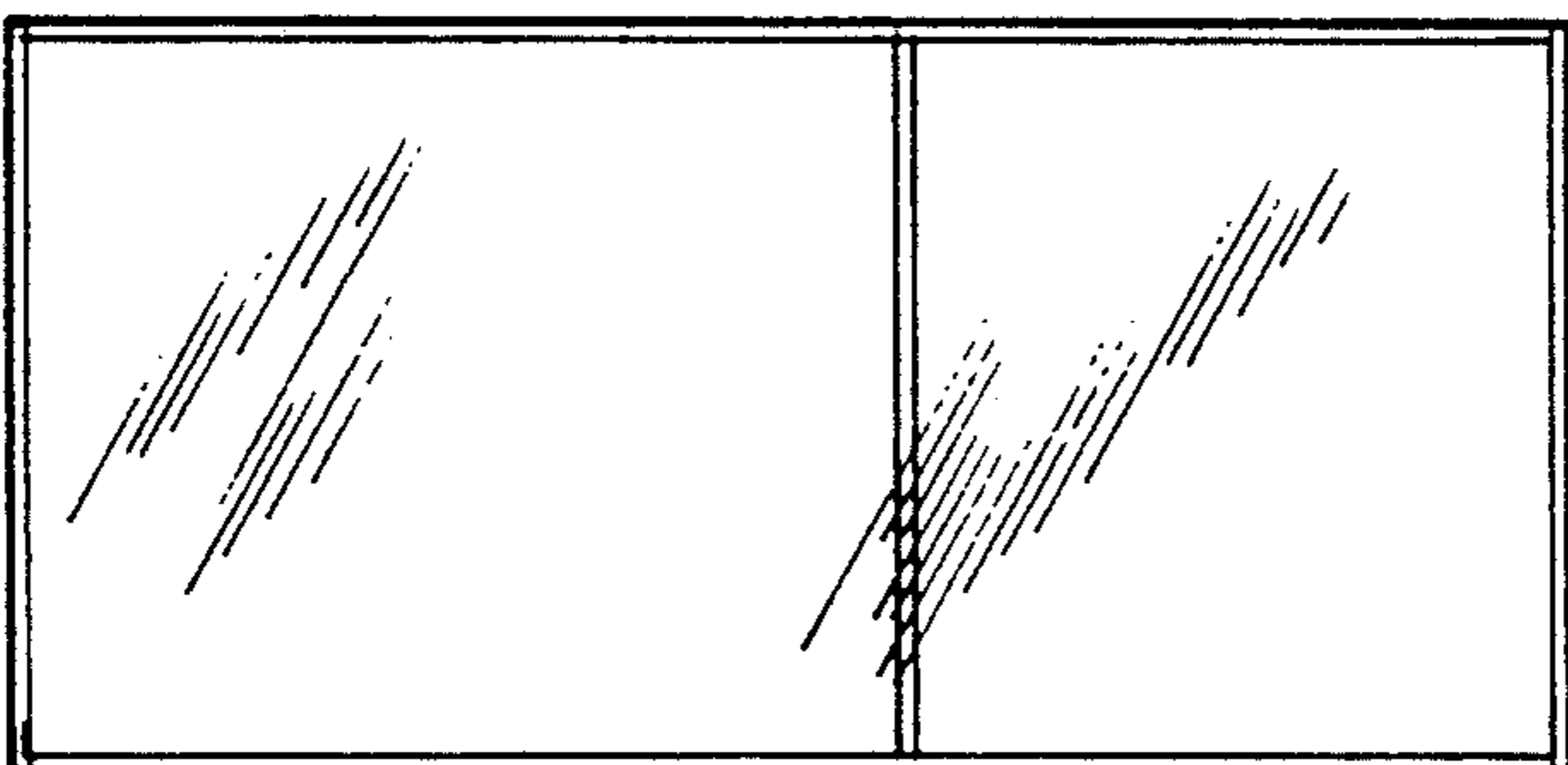


FIG. 8