



US00D348759S

United States Patent [19]

[11] Patent Number: **Des. 348,759**

Bhambra

[45] Date of Patent: **** Jul. 12, 1994**

[54] **LOW LIFT CART**

[75] Inventor: **Randjit Bhambra**, Stuttgart, Fed. Rep. of Germany

[73] Assignee: **Porsche AG**, Stuttgart, Fed. Rep. of Germany

[**] Term: **14 Years**

[21] Appl. No.: **5,498**

[22] Filed: **Mar. 3, 1993**

[30] **Foreign Application Priority Data**

Sep. 5, 1992 [DE] Fed. Rep. of Germany M9206453.1

[52] U.S. Cl. **D34/34; D34/28**

[58] Field of Search 280/43, 12; 180/12, 180/194; 234/2 R, 2 B, 2 C; 187/9 R; D34/28, 34

[56] **References Cited**

U.S. PATENT DOCUMENTS

D. 222,670 11/1971 Goodacre D34/34

| | | | |
|-----------|---------|---------------|-----------|
| 3,243,194 | 3/1966 | Trusock | 280/43.12 |
| 3,525,501 | 8/1970 | Goetz | 280/43.12 |
| 4,065,012 | 12/1977 | Rocco | 280/43.12 |
| 4,287,959 | 9/1981 | Inman | 280/43.12 |

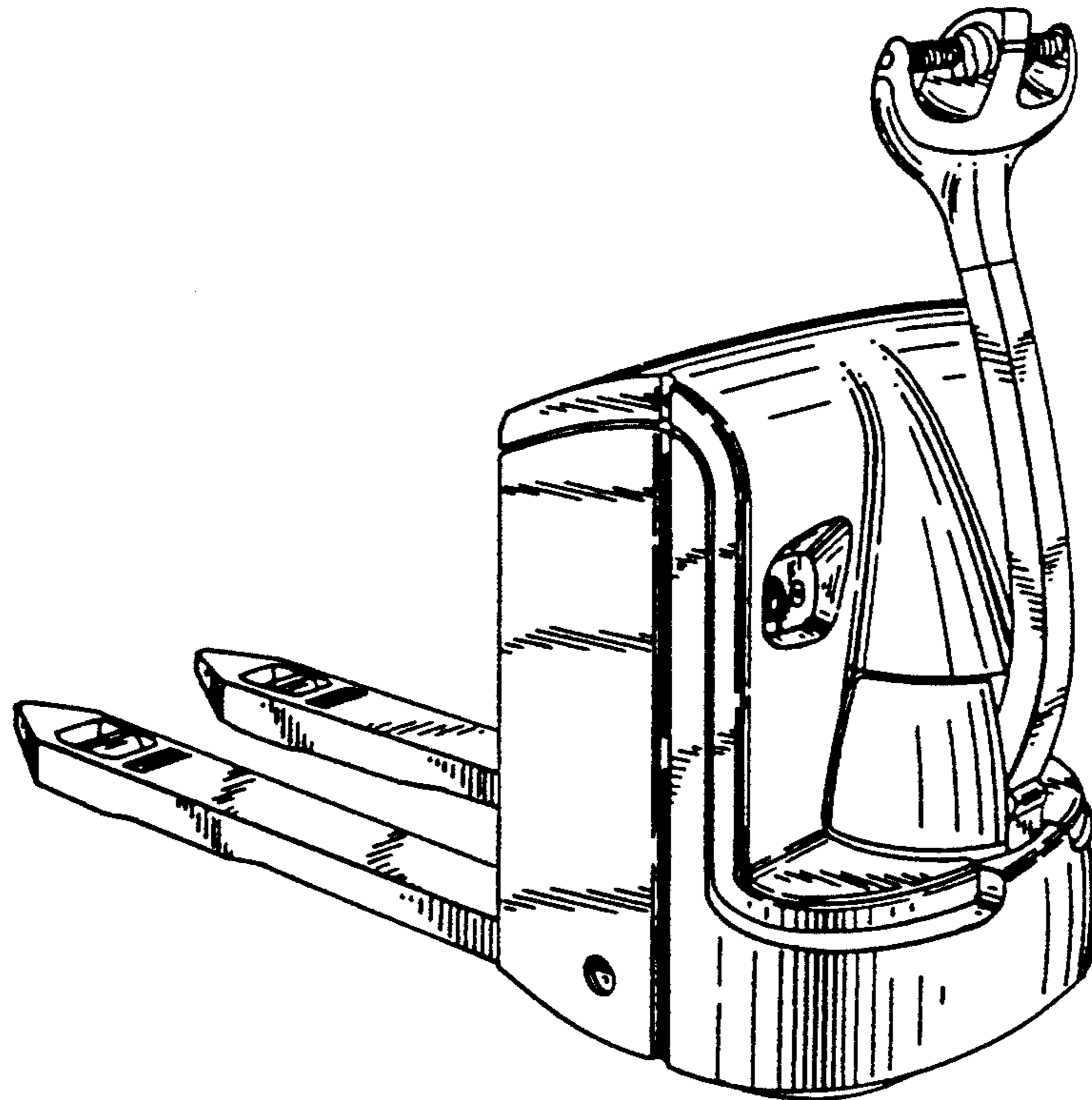
Primary Examiner—Kay H. Chin
Attorney, Agent, or Firm—Evenson, McKeown, Edwards & Lenahan

[57] **CLAIM**

The ornamental design for a low lift cart, as shown and described.

DESCRIPTION

FIG. 1 is a right side perspective view of the low lift cart showing my new design;
FIG. 2 is a left side perspective view thereof;
FIG. 3 is a rear perspective view thereof;
FIG. 4 is a front perspective view thereof;
FIG. 5 is a top plan view thereof;
FIG. 6 is a rear and left side perspective view thereof;
FIG. 7 is a rear and right side perspective view thereof;
and,
FIG. 8 is a front and right side perspective view thereof.



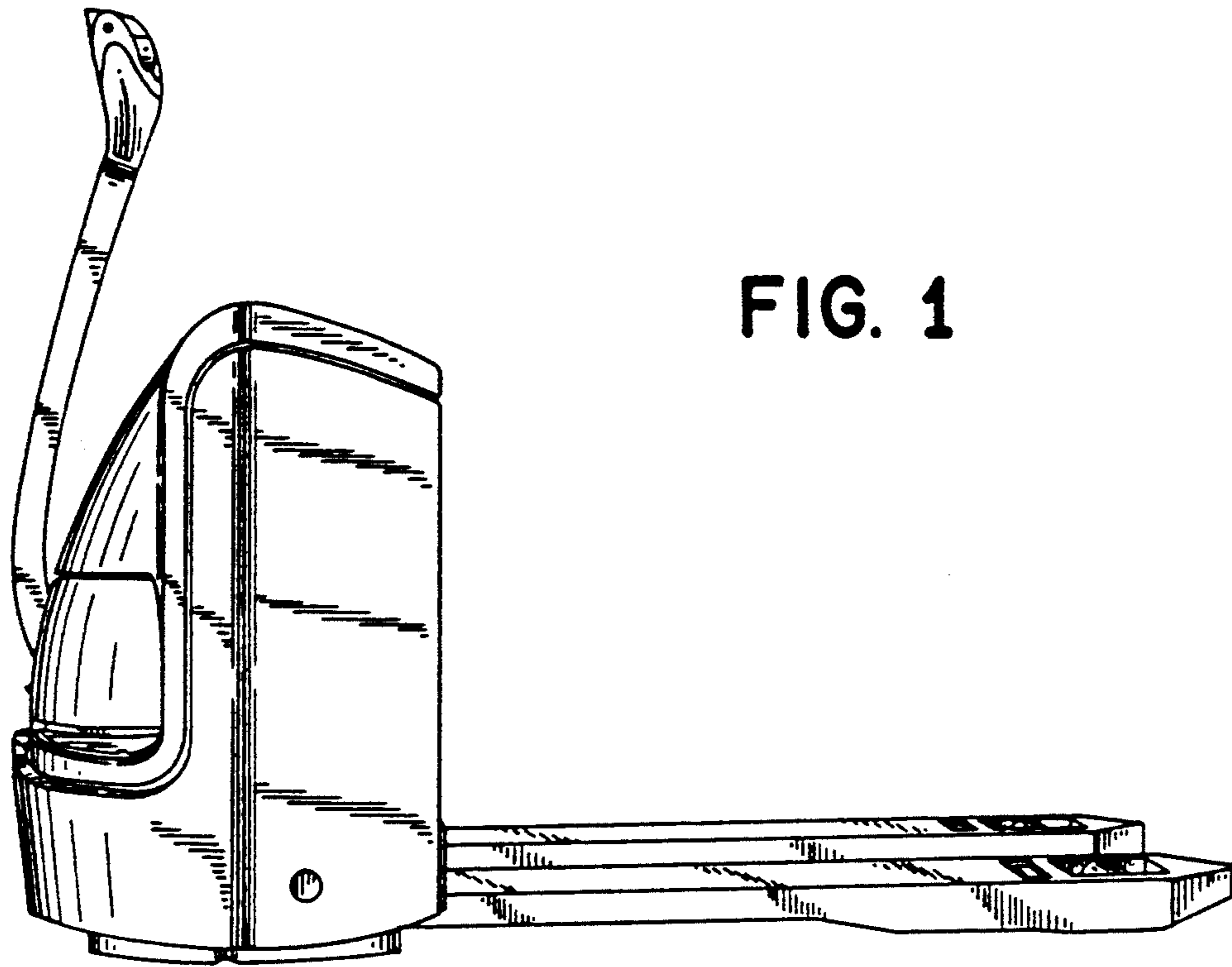


FIG. 1

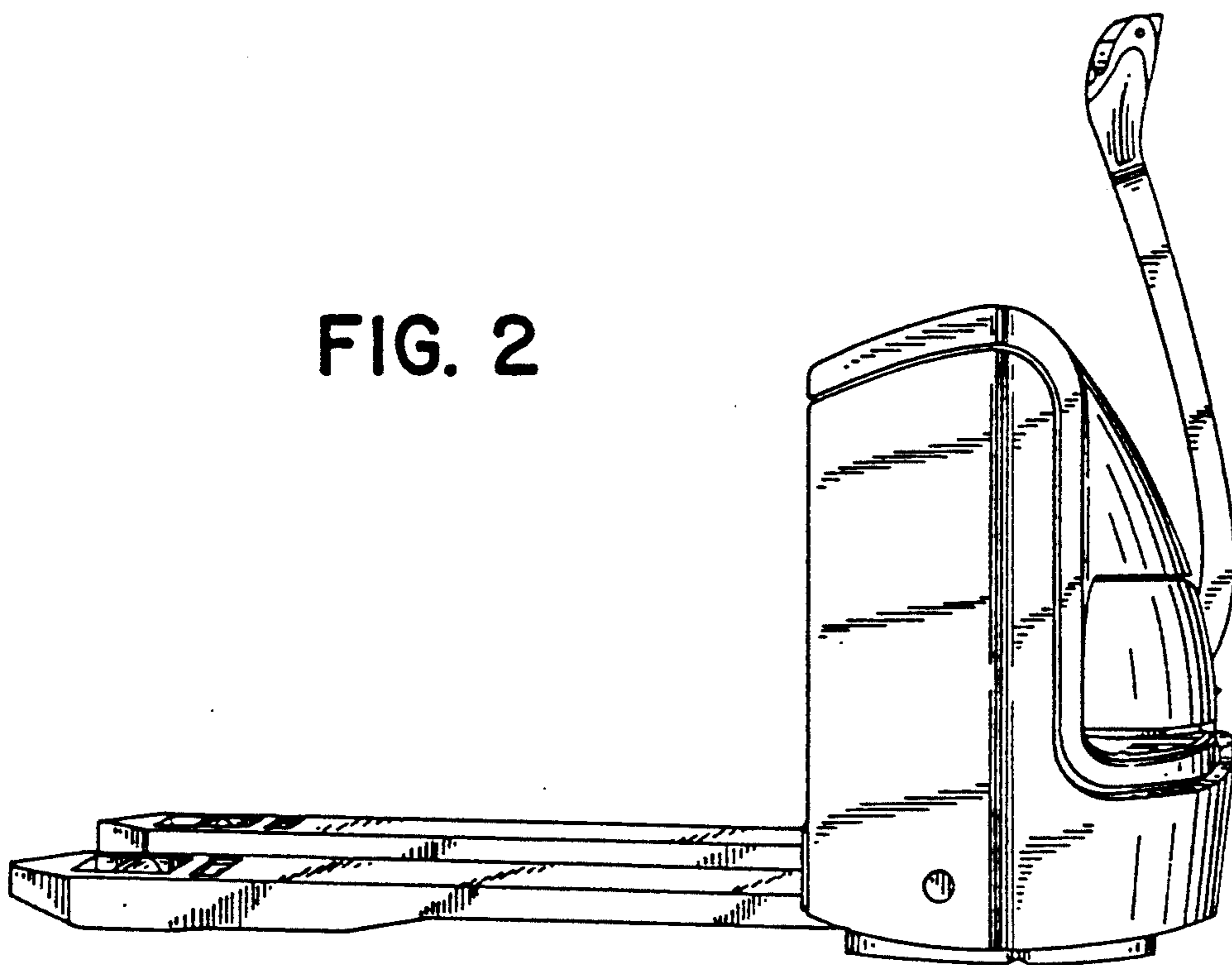


FIG. 2

FIG. 4

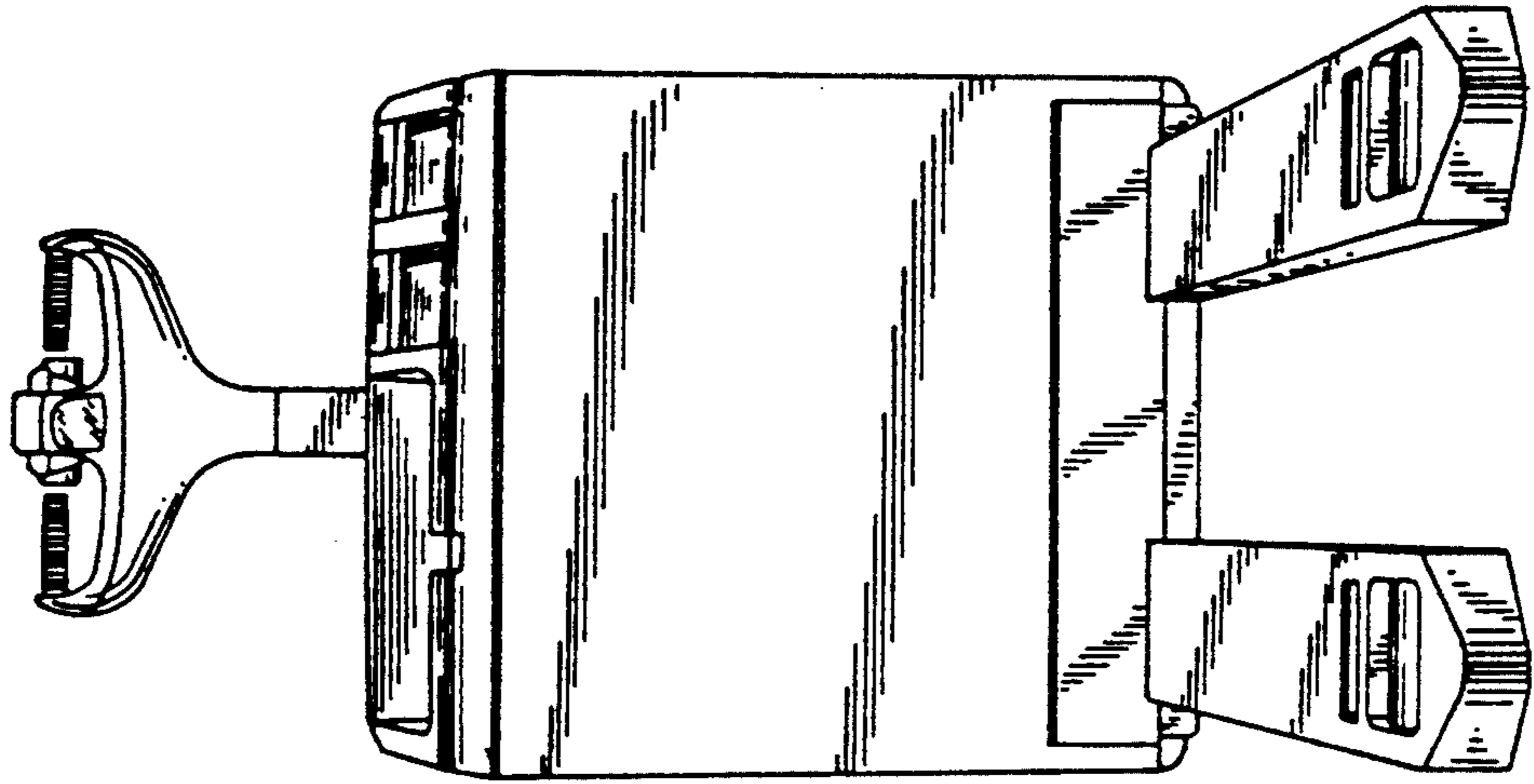


FIG. 3

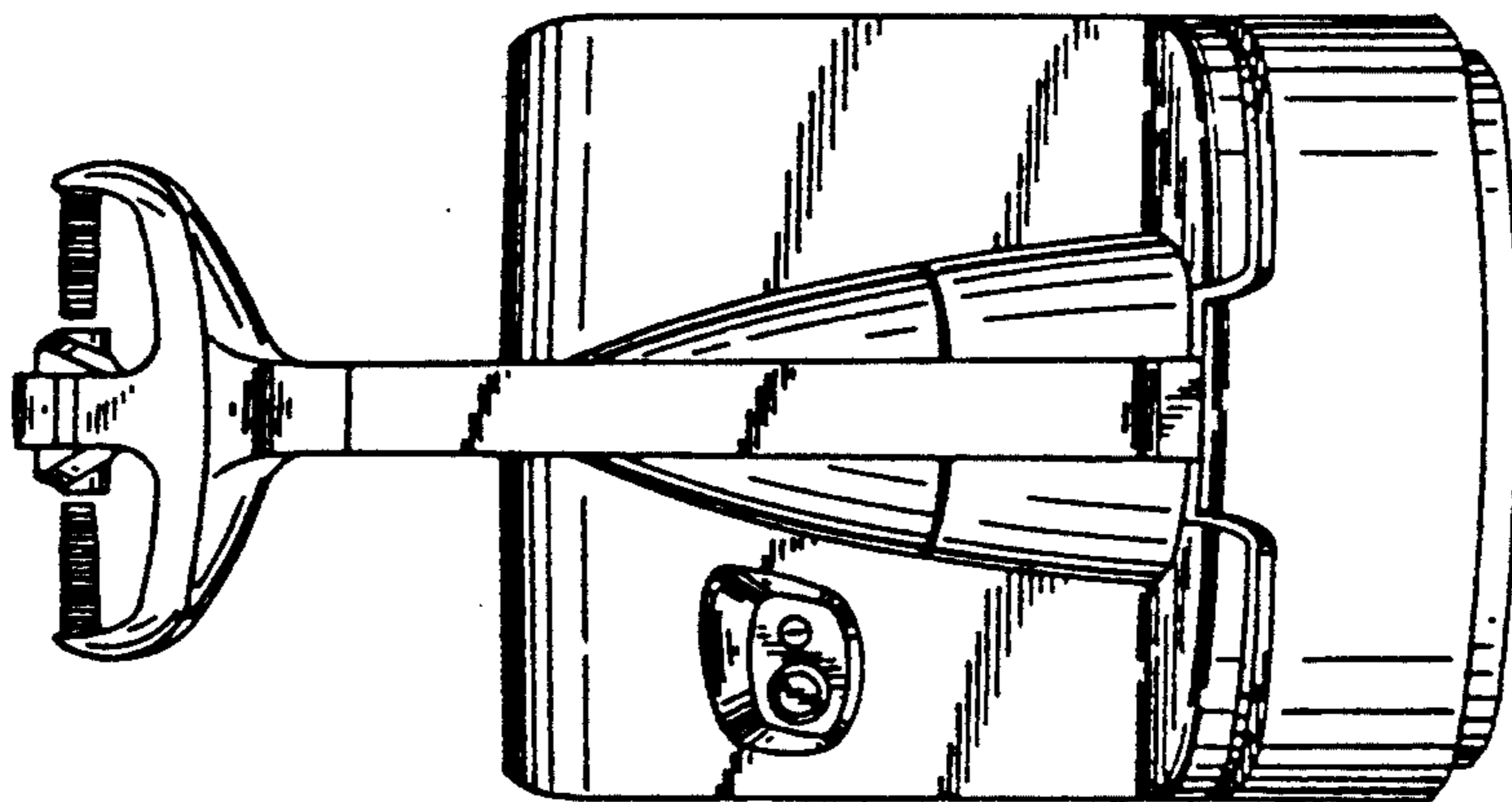


FIG. 5

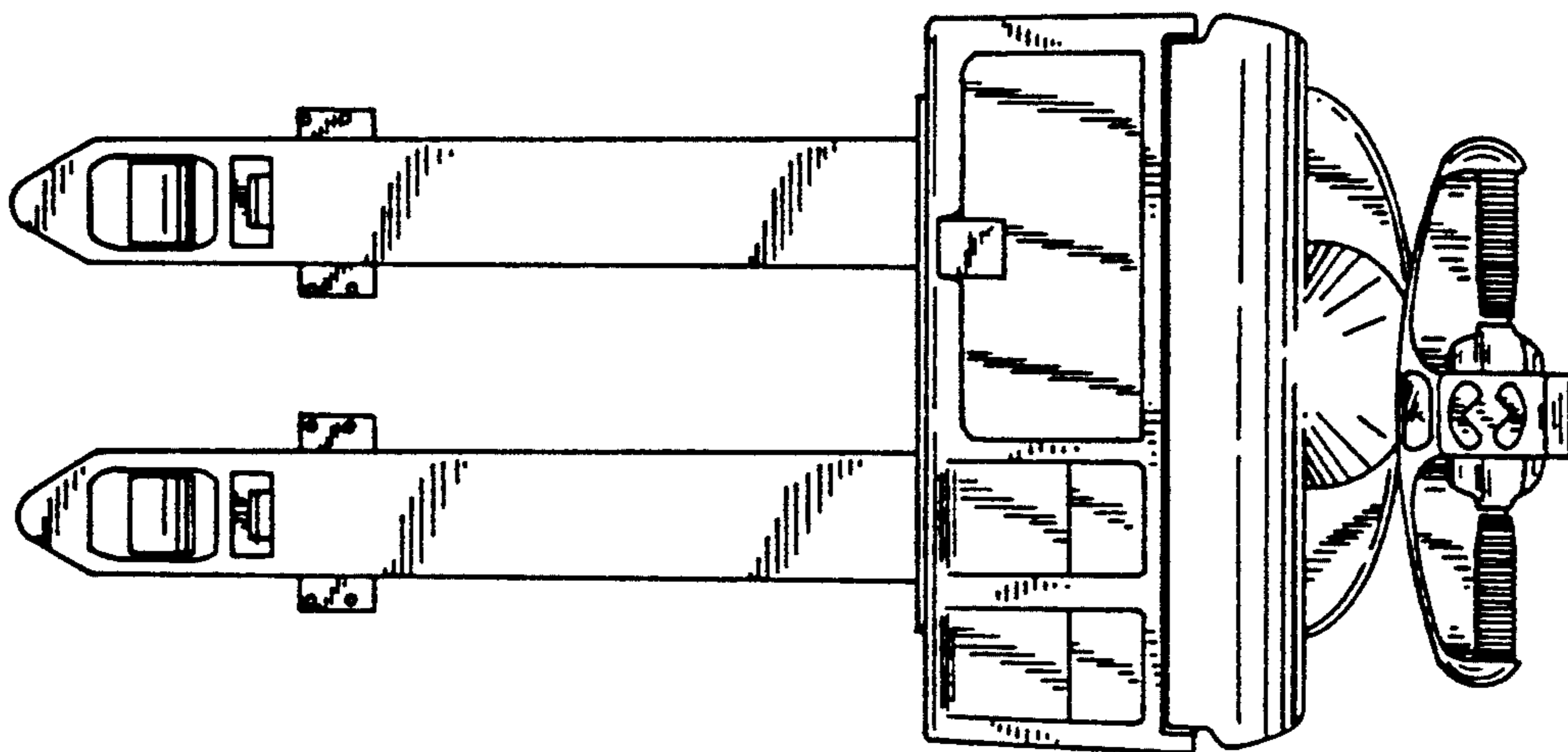
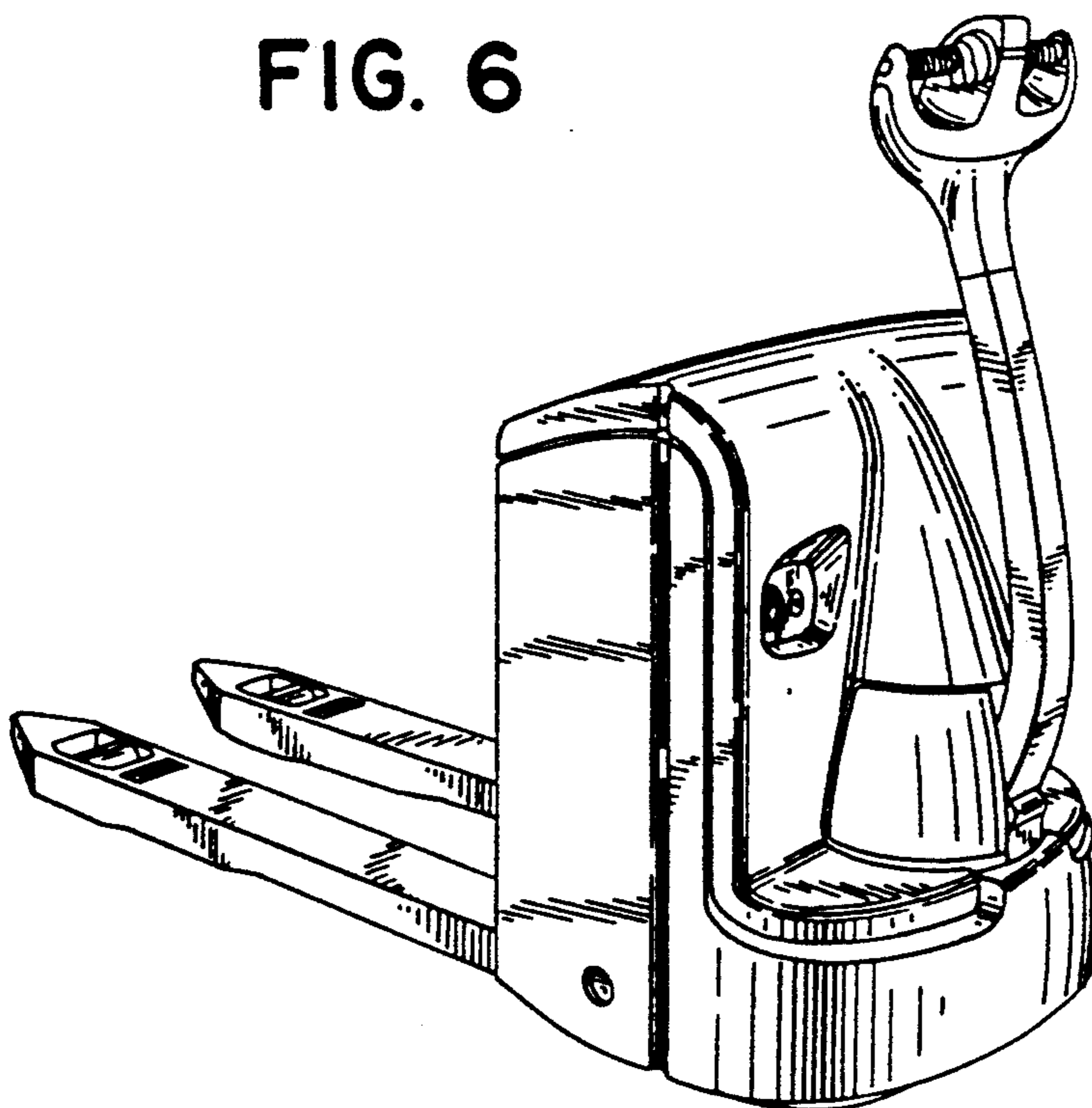


FIG. 6



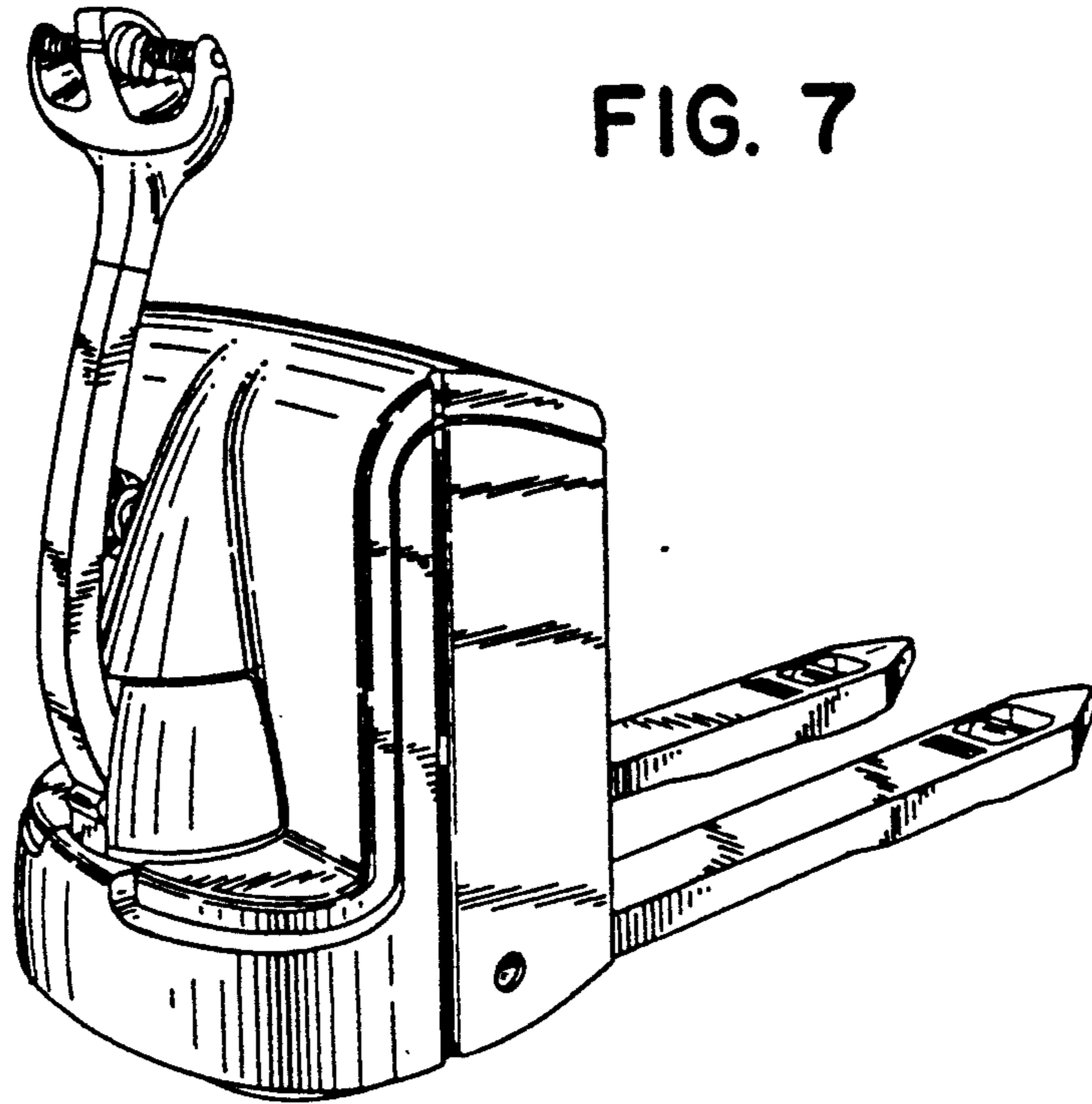


FIG. 7

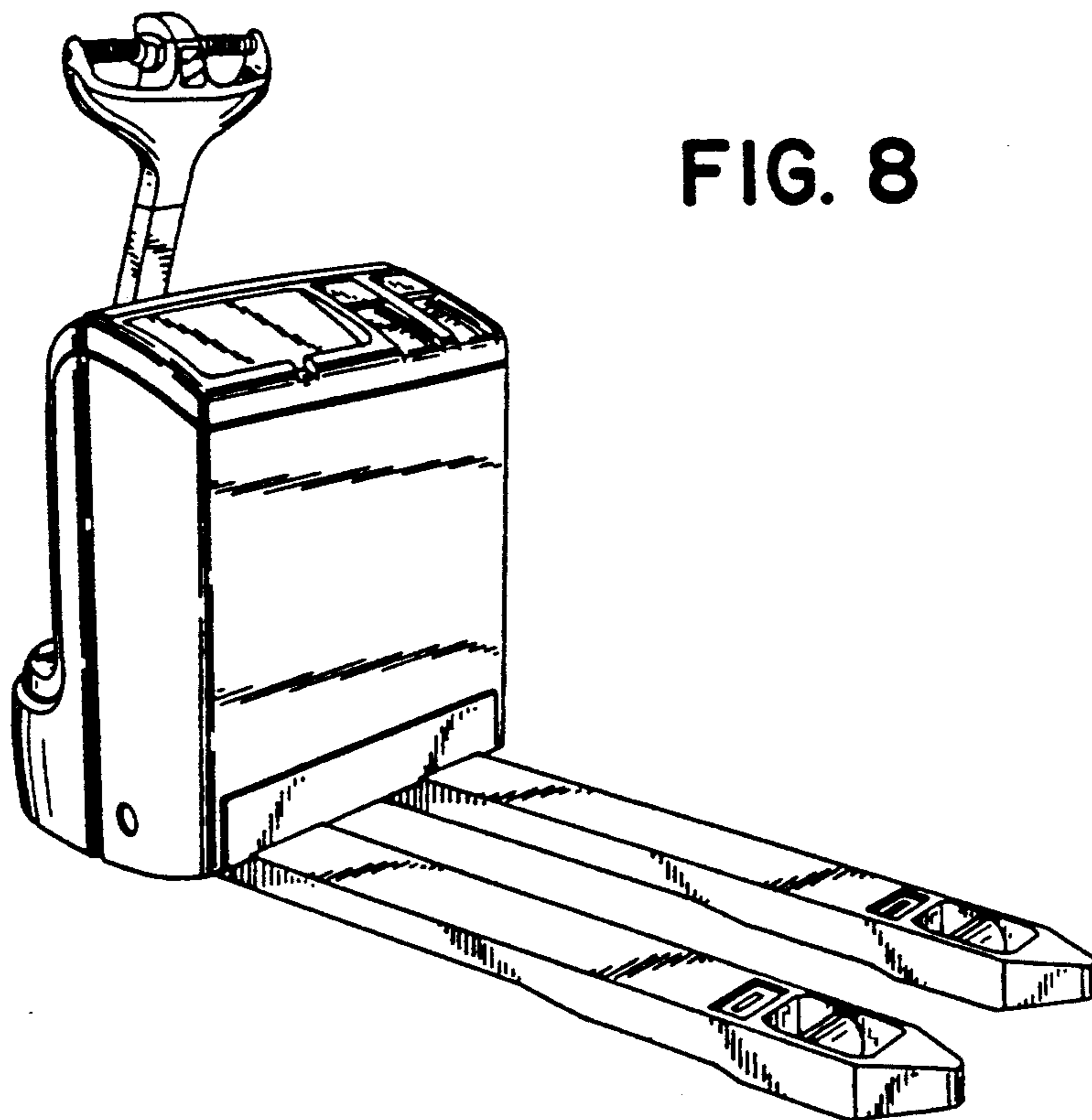


FIG. 8