



US00D348758S

United States Patent [19]

[11] Patent Number: **Des. 348,758**

Lichtenvort

[45] Date of Patent: **** Jul. 12, 1994**

[54] **HOIST**

[56] **References Cited**

[75] Inventor: **Uwe Lichtenvort, Essen, Fed. Rep. of Germany**

U.S. PATENT DOCUMENTS

D. 208,200	8/1967	Burlan	D34/33
D. 295,104	4/1988	Pancook	D34/33
D. 309,969	8/1990	Tamura	D34/33
4,884,783	12/1989	McIntosh et al.	254/356
5,002,259	3/1991	Manning et al.	254/380

[73] Assignee: **Mannesmann Aktiengesellschaft, Dusseldorf, Fed. Rep. of Germany**

Primary Examiner—Kay H. Chin
Attorney, Agent, or Firm—Schweitzer Cornman & Gross

[**] Term: **14 Years**

[57] **CLAIM**

[21] Appl. No.: **5,391**

The ornamental design for the hoist, as shown and described.

[22] Filed: **Mar. 3, 1993**

DESCRIPTION

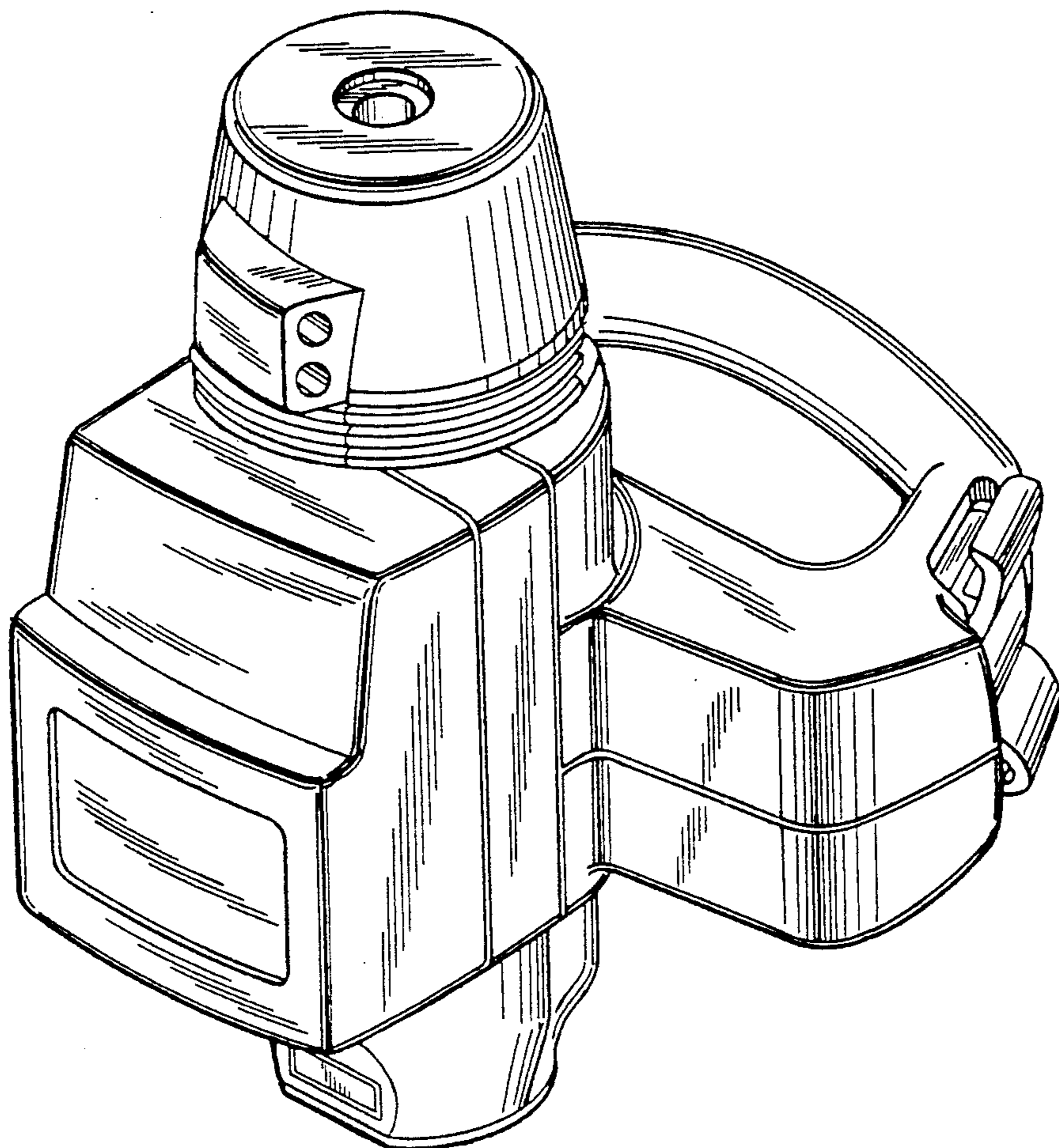
[30] **Foreign Application Priority Data**

Sep. 4, 1992 [DE] Fed. Rep. of Germany 9206425.6

[52] U.S. Cl. **D34/33; D34/35**

[58] Field of Search 254/372, 356, 316, 380, 254/382, 384, 335; D34/28, 33, 34, 35

FIG. 1 is a front perspective view of the hoist; FIG. 2 is a rear perspective view thereof; FIG. 3 is a front elevational view thereof; FIG. 4 is a side elevational view thereof; FIG. 5 is a rear elevational view thereof; FIG. 6 is a bottom plan view thereof; and, FIG. 7 is a top plan view thereof.



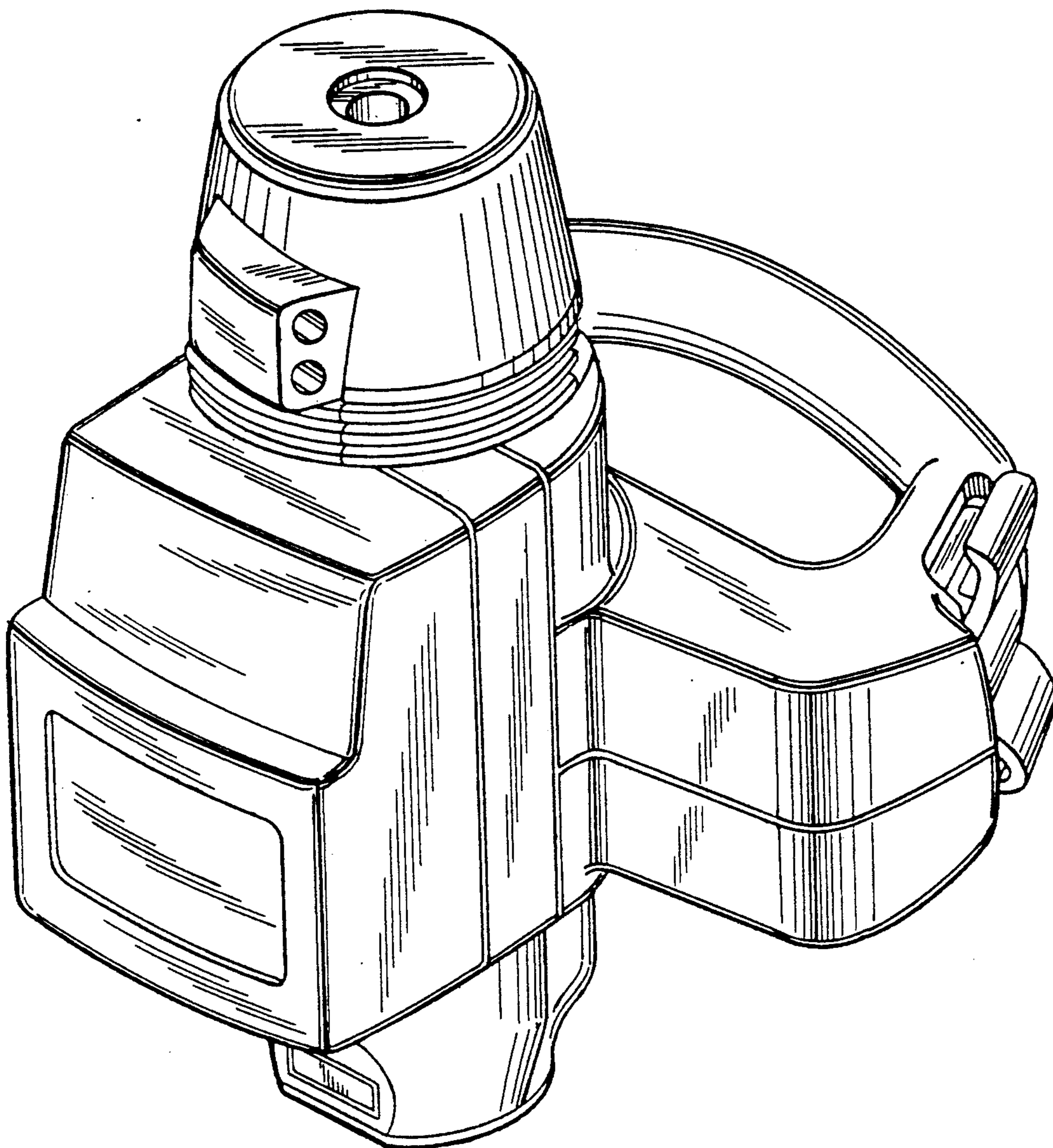


FIG. 1

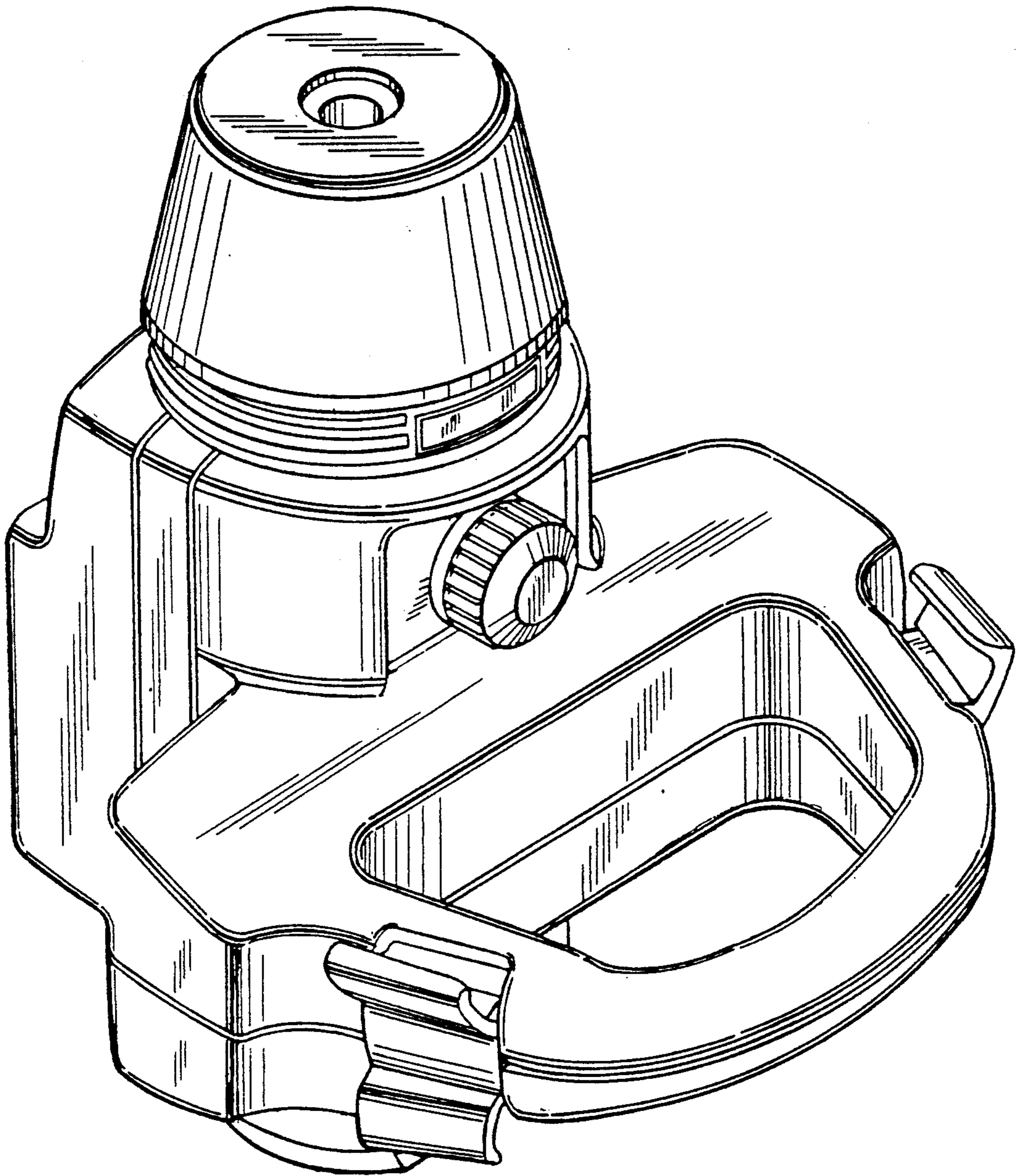


FIG. 2

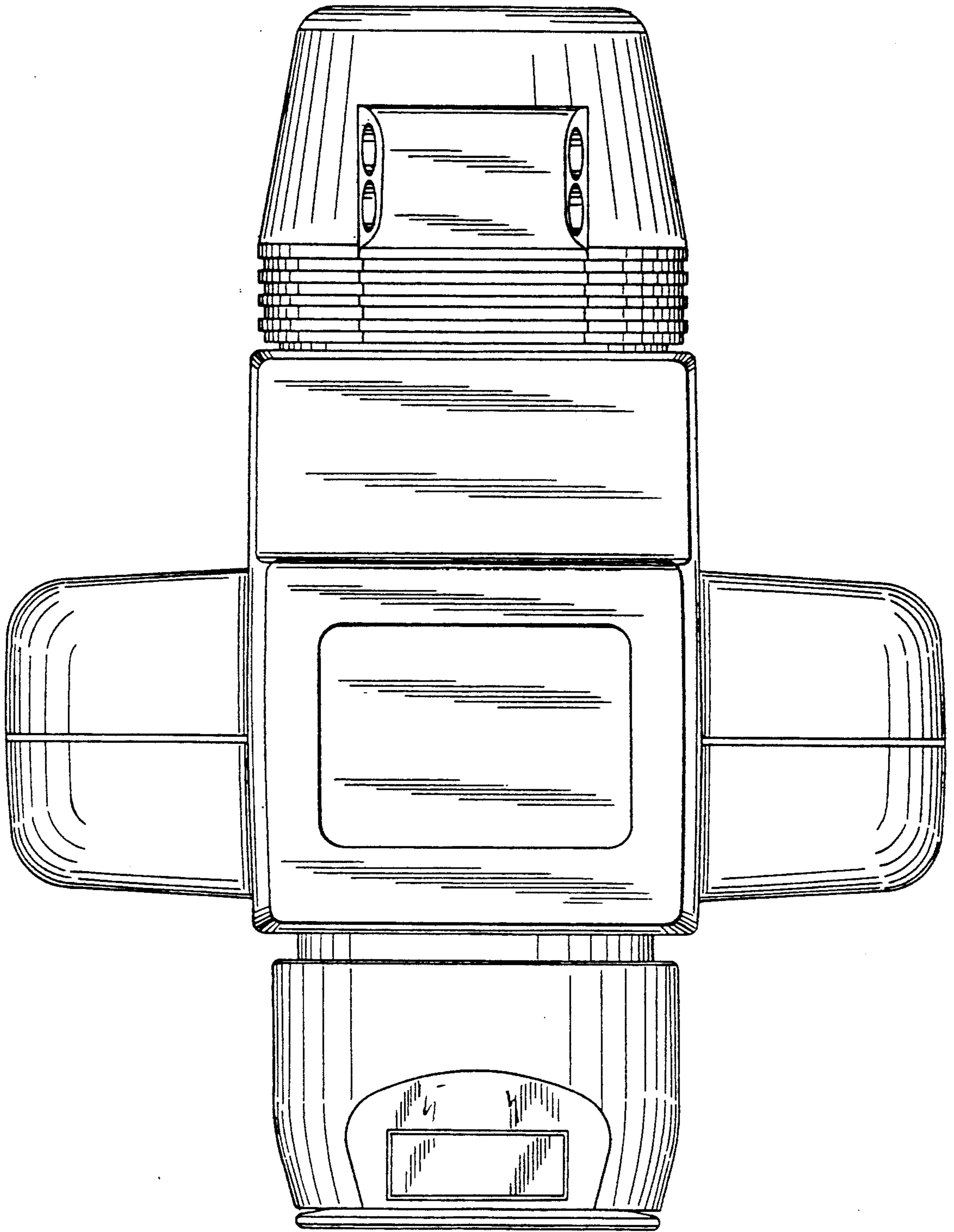


FIG. 3

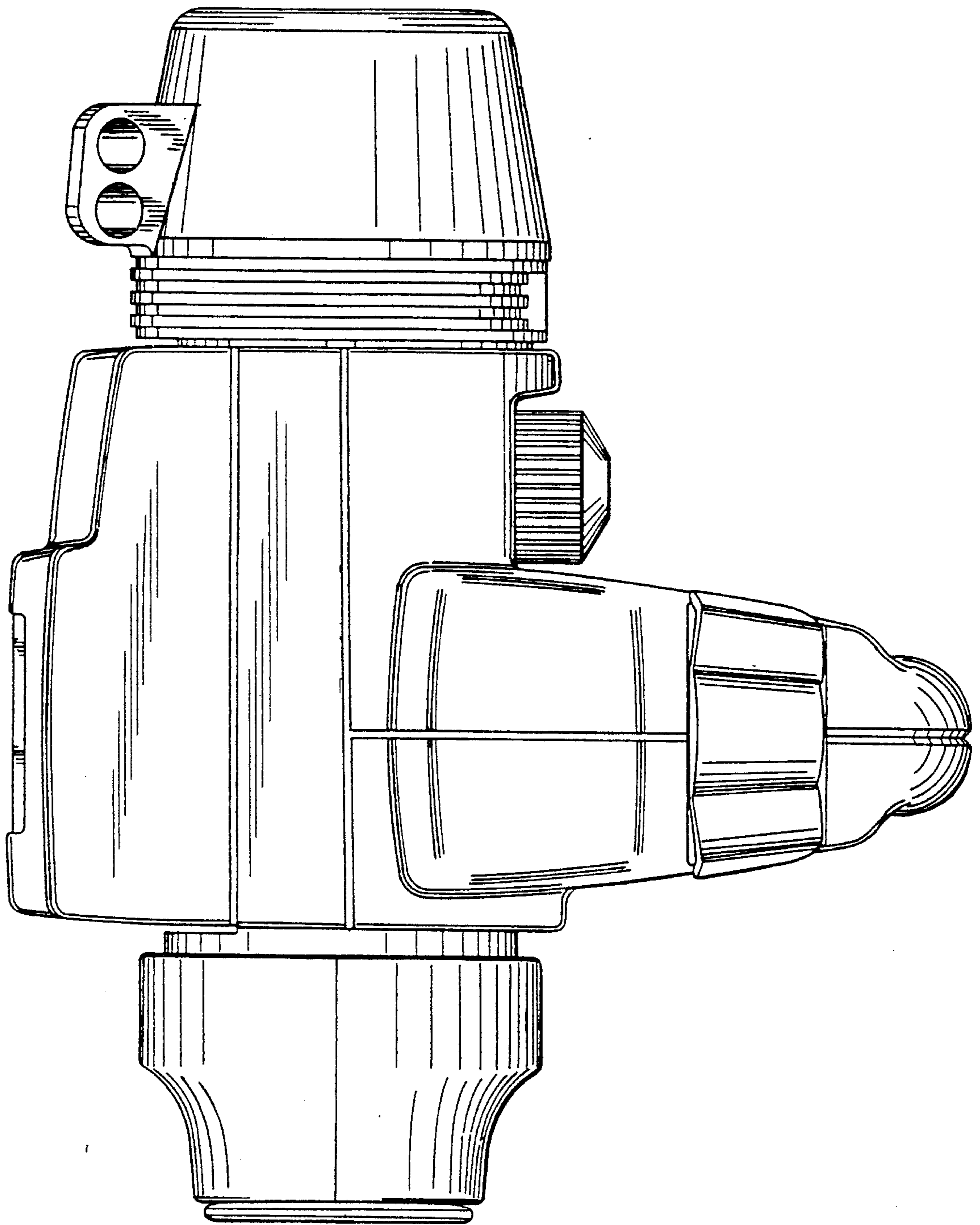


FIG. 4

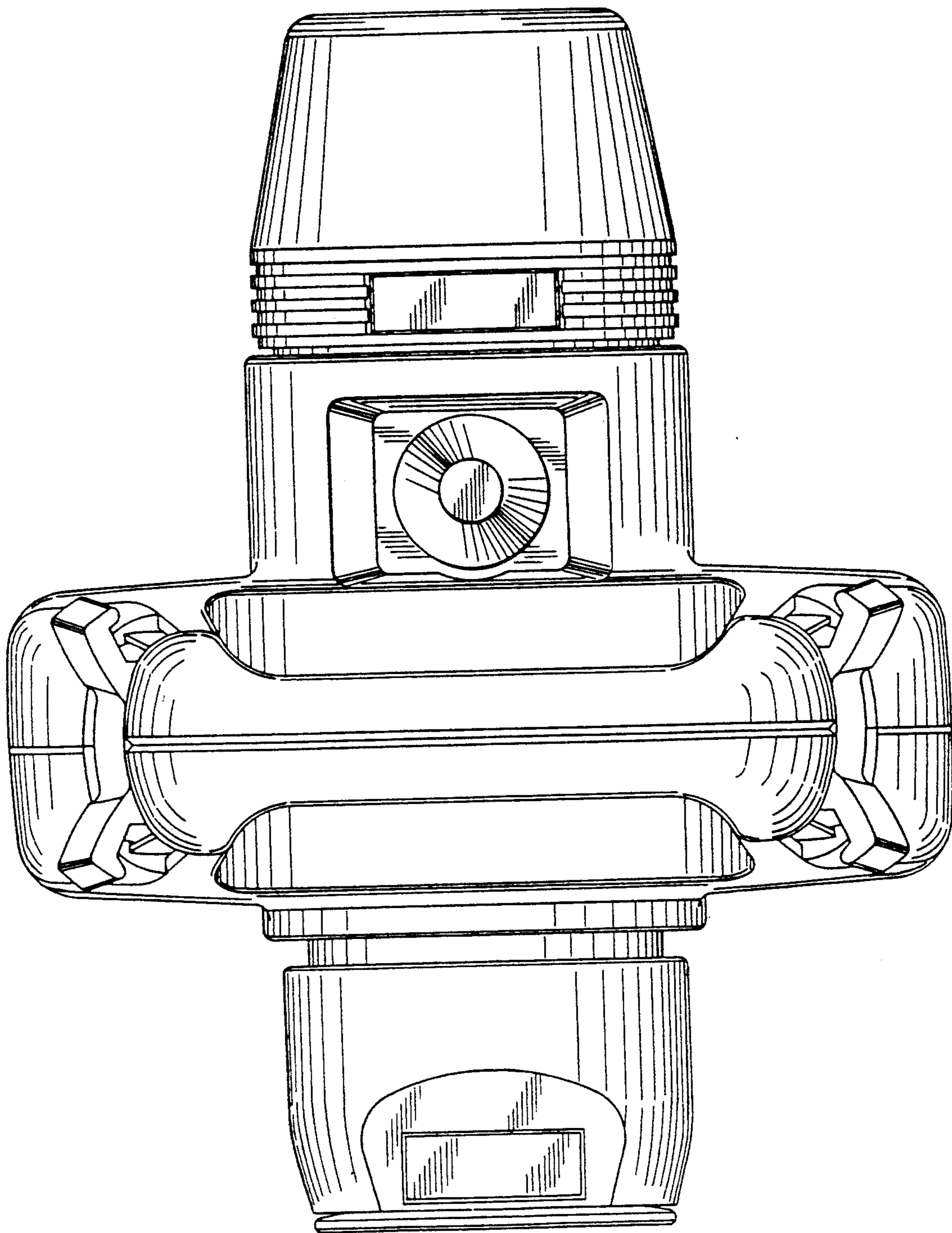


FIG. 5

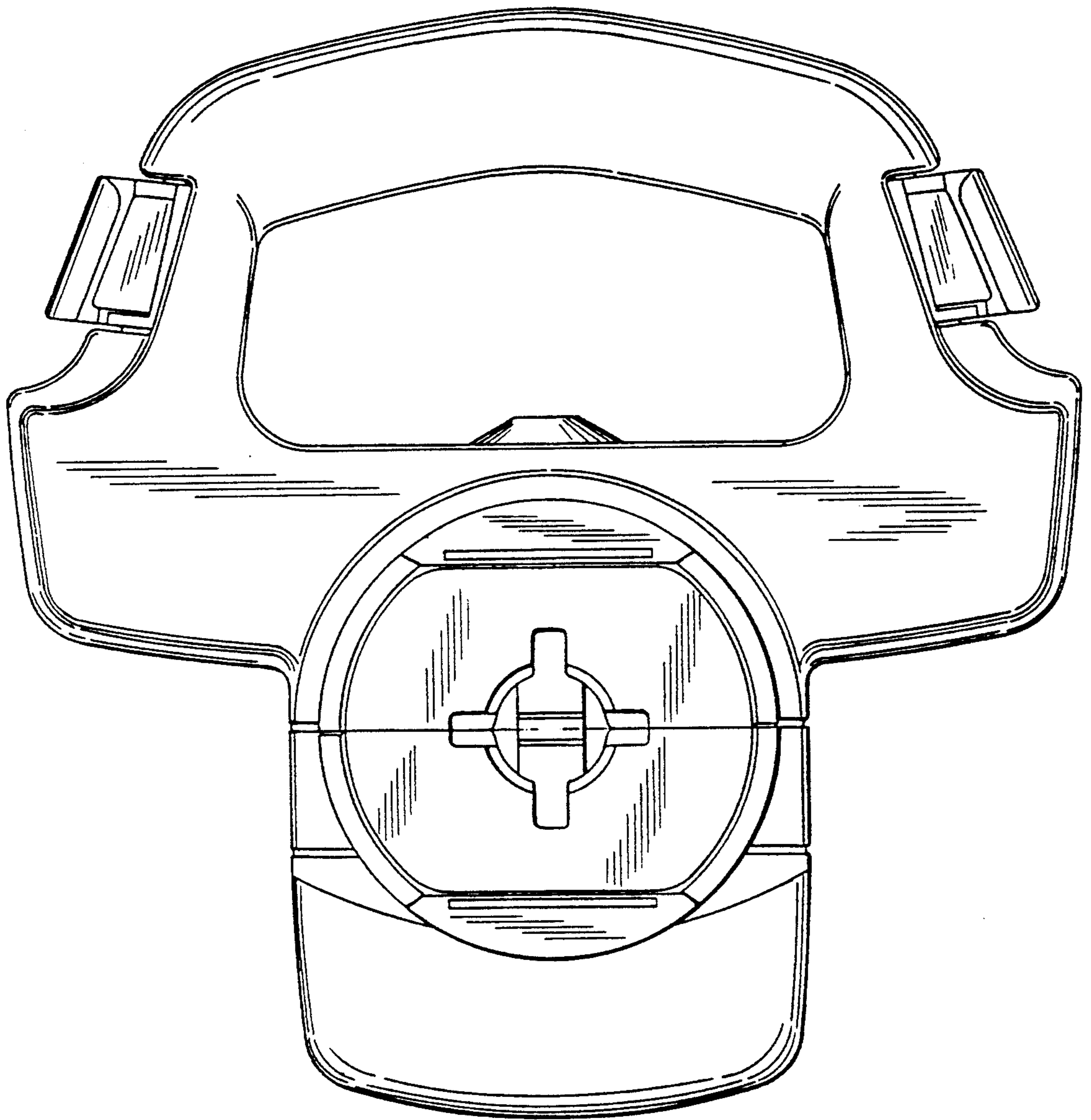


FIG. 6

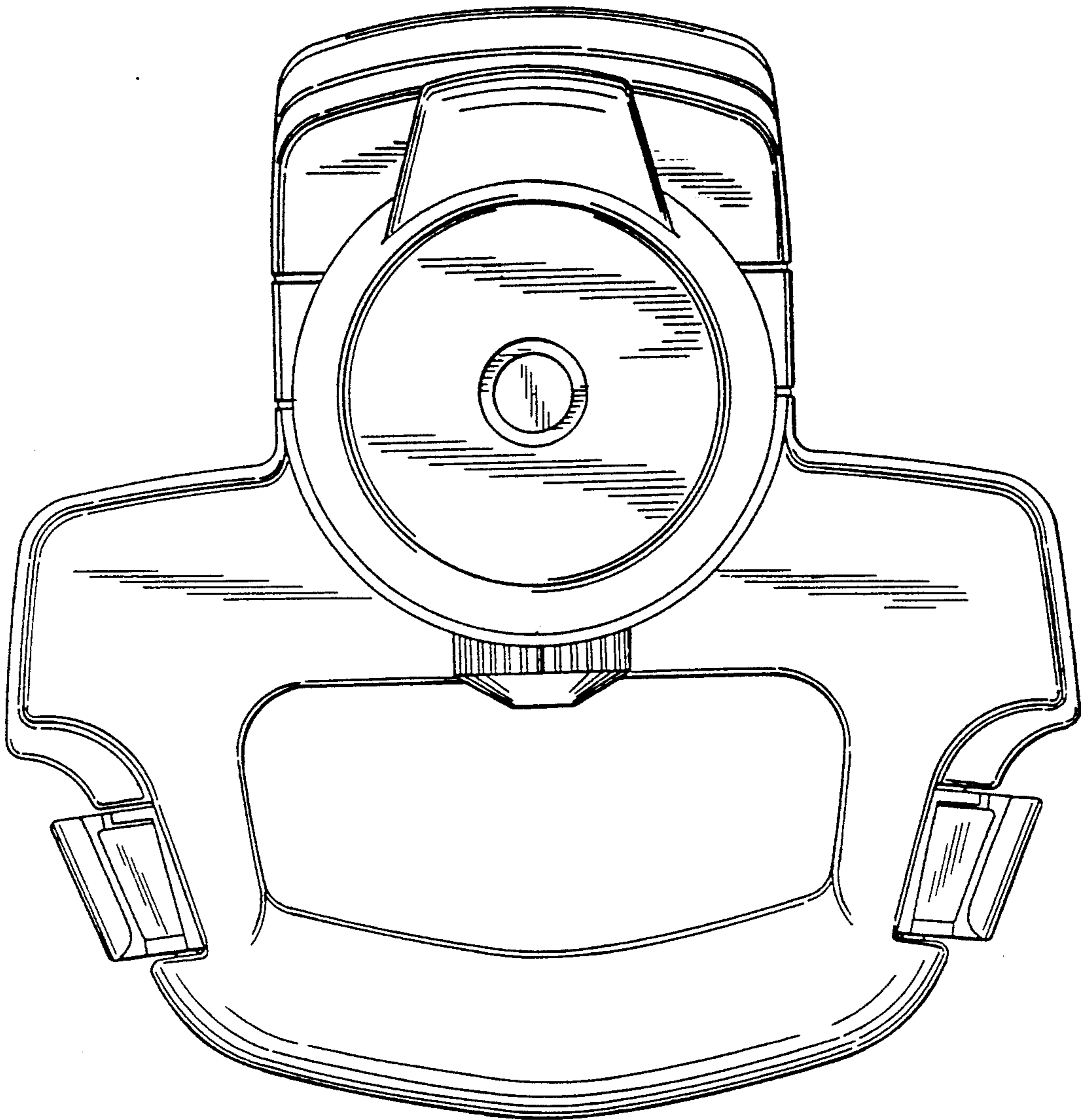


FIG. 7