



US00D348757S

United States Patent [19]

[11] Patent Number: **Des. 348,757**

Rivera et al.

[45] Date of Patent: **** Jul. 12, 1994**

[54] **ESCALATOR HANDRAIL ENTRY HOUSING**

5,156,252 10/1992 Mello et al. 198/338

[75] Inventors: **James A. Rivera**, Bristol; **Dat Nguyen**, New Britain; **Dale R. Barrett**, Berlin; **Gerald E. Johnson**, Farmington, all of Conn.

Primary Examiner—Wallace R. Burke
Assistant Examiner—Robin V. Taylor

[73] Assignee: **Otis Elevator Company**, Farmington, Conn.

[57] **CLAIM**

The ornamental design for a escalator handrail entry housing, as shown and described.

[**] Term: **14 Years**

DESCRIPTION

[21] Appl. No.: **10,523**

FIG. 1 is a perspective view of an escalator handrail entry housing as seen from the front right side showing our new design. The broken line showing of the entry way and handrail is for illustrative purposes only and form no part of the claimed design;

[22] Filed: **Jul. 9, 1993**

[52] U.S. Cl. **D34/30**

FIG. 2 is an enlarged perspective view of the entry housing of FIG. 1 without the broken line showing it; FIG. 3 is a perspective view of the front left sides thereof;

[58] Field of Search 198/331, 335, 336, 338, 198/321; D34/30

FIG. 4 is a top view thereof; and,

[56] **References Cited**

U.S. PATENT DOCUMENTS

D. 296,374	6/1988	Hermann et al.	D34/30
D. 298,375	11/1988	Herrmann	D34/30
D. 318,357	7/1991	Adrian et al.	D34/28
D. 344,384	2/1994	Yamamoto	D34/30
3,970,187	7/1976	Esaki et al.	198/338
3,989,133	11/1976	Courson et al.	198/335

FIG. 5 is a perspective view showing the front and underside thereof.

The broken lines shown in the drawings illustrate the environment upon which the article is mounted and are not a part of the claimed design.

The undisclosed rear is open and unornamented.

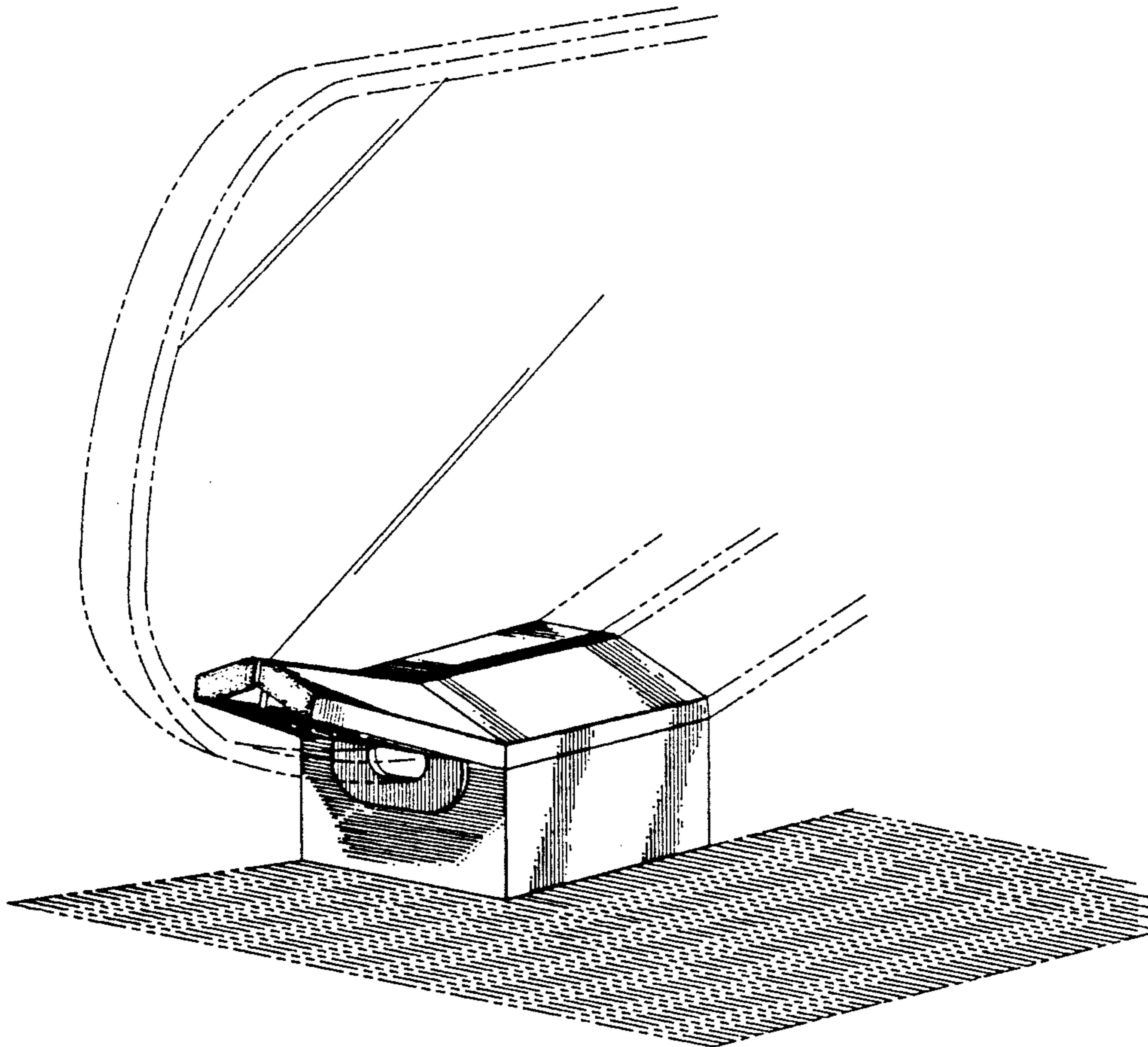


fig. 1

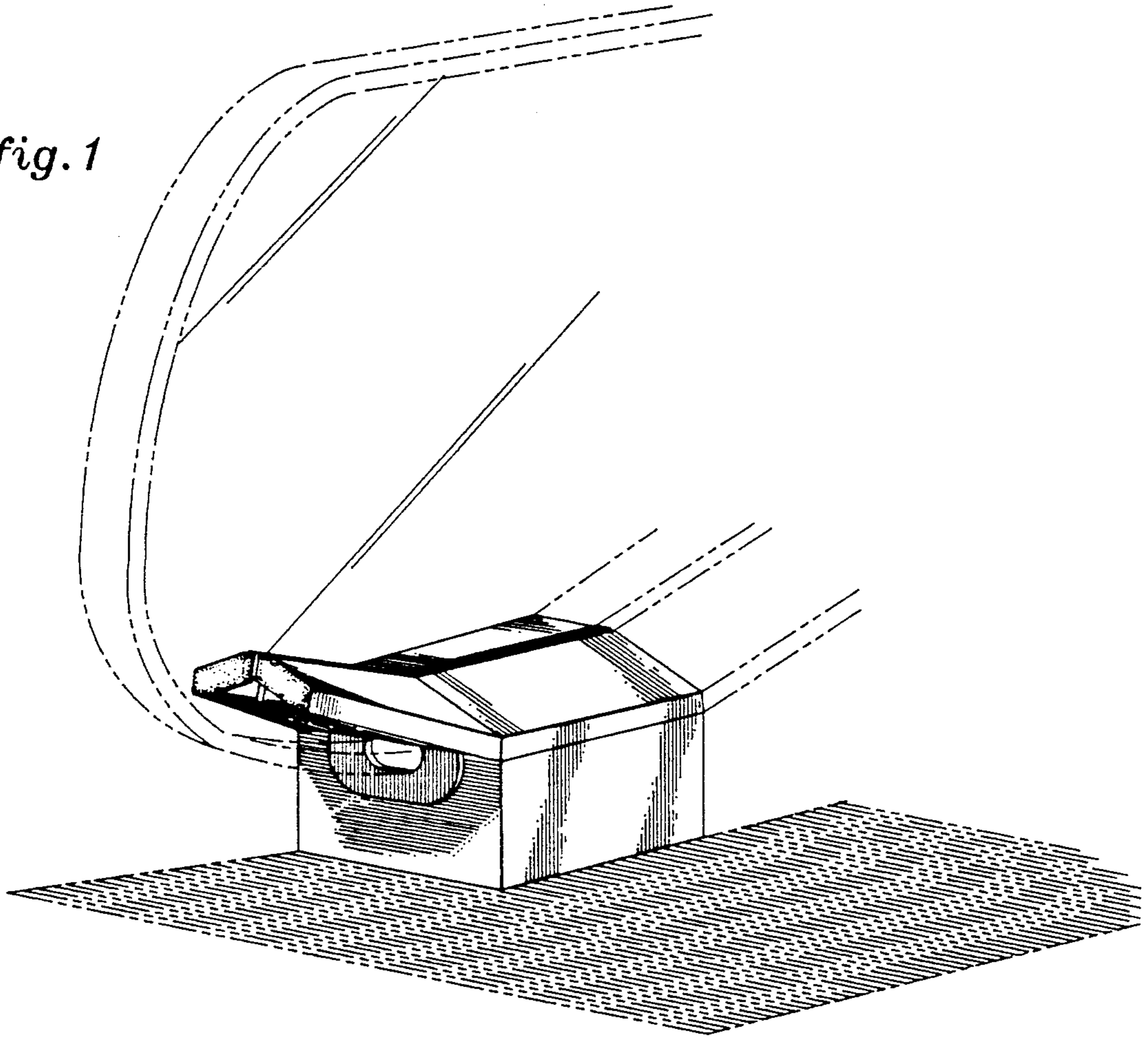


fig. 2

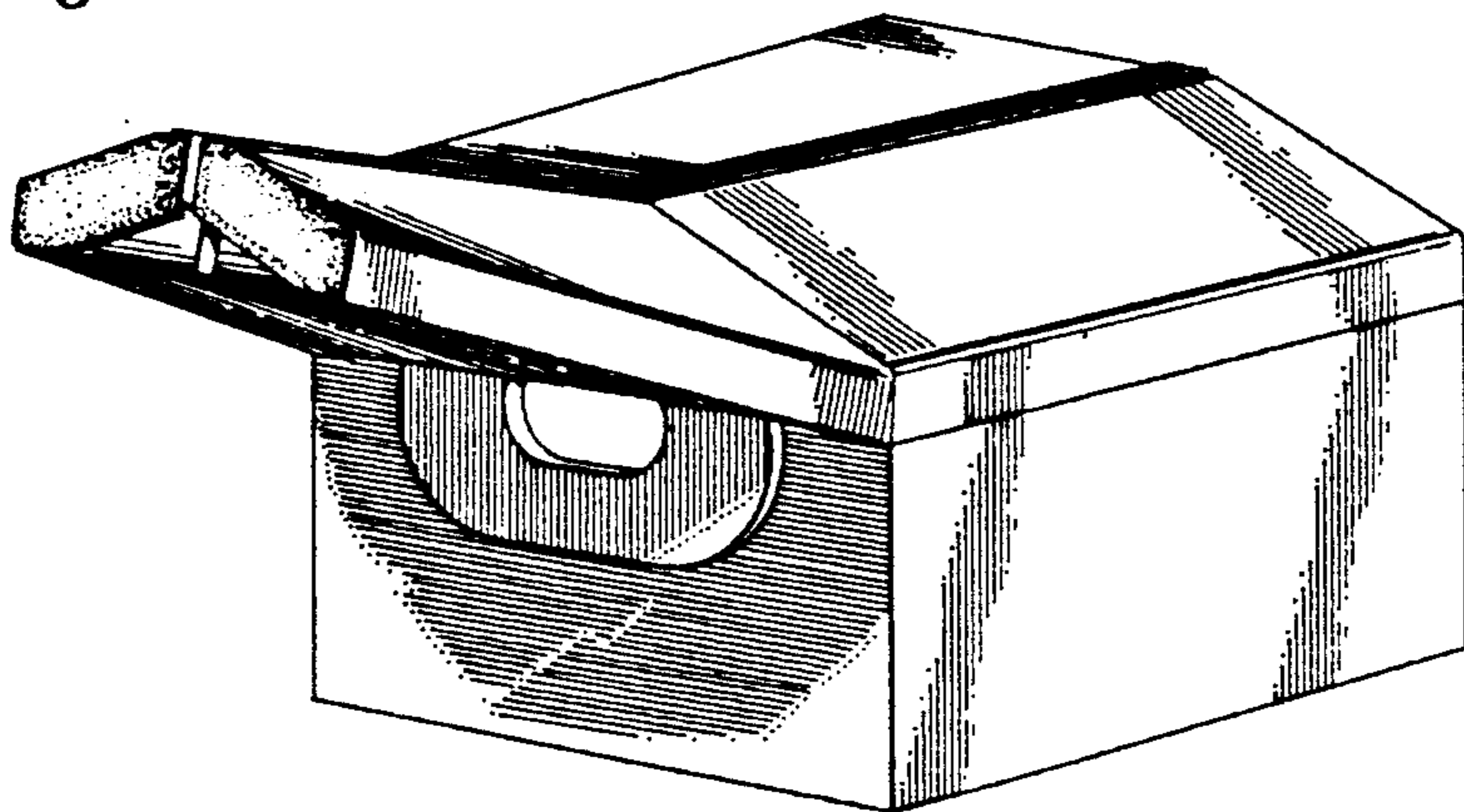


fig. 3

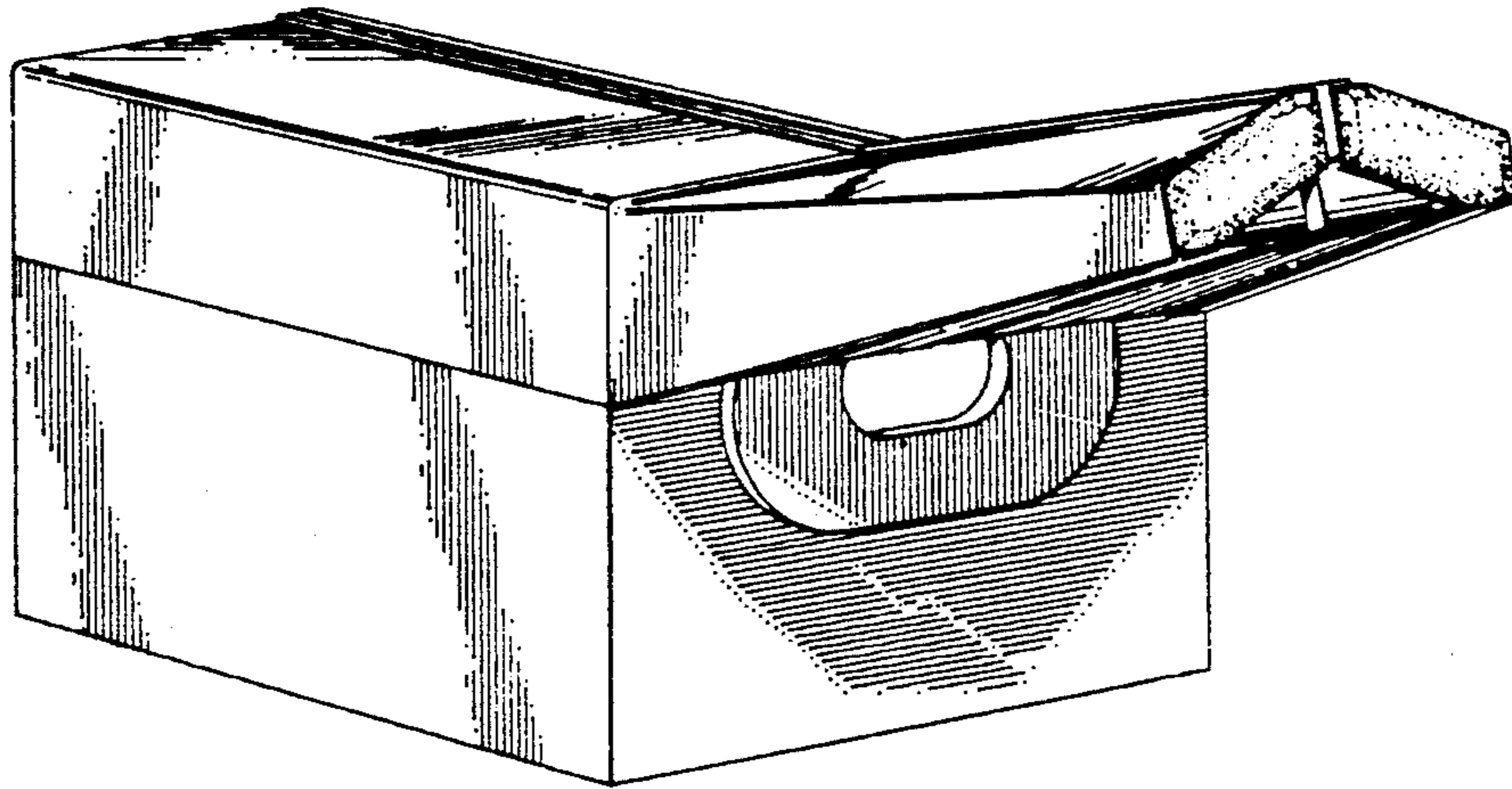


fig. 4

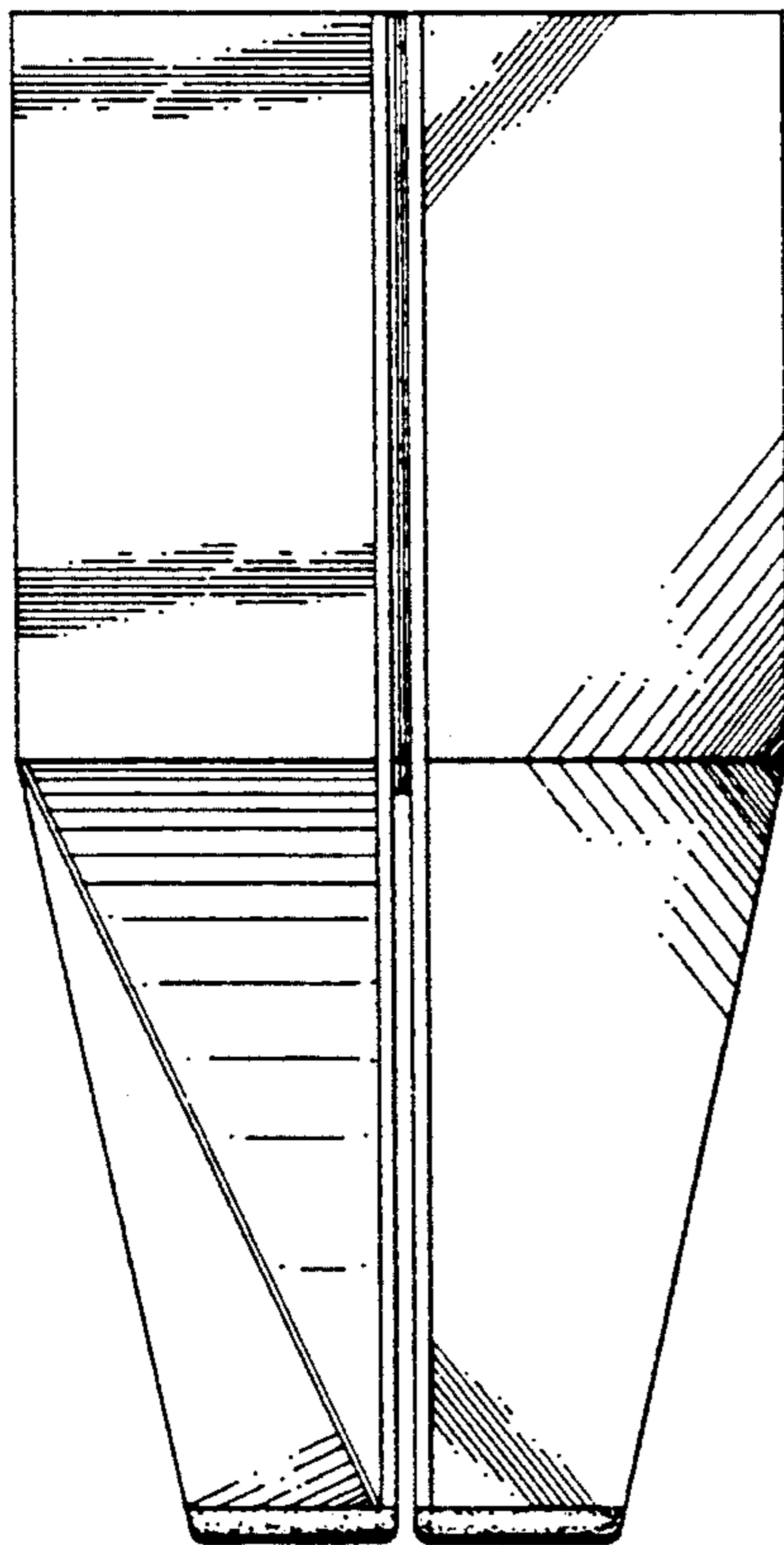


fig. 5

