



US00D348755S

United States Patent [19]

[11] Patent Number: **Des. 348,755**

Perry

[45] Date of Patent: **** Jul. 12, 1994**

[54] PORTABLE WRINGER

[76] Inventor: **William W. Perry**, 8294 Carriage La.,
Wichita Falls, Tex. 76306

[**] Term: **14 Years**

[21] Appl. No.: **10,106**

[22] Filed: **Jun. 30, 1993**

[52] U.S. Cl. **D32/53**

[58] Field of Search 15/119.1, 260, 262,
15/264; 68/237, 241; D32/53, 53.1, 54, 27

FOREIGN PATENT DOCUMENTS

1027855 5/1953 France 16/5
337993 12/1930 United Kingdom .
631401 12/1949 United Kingdom .

Primary Examiner—Wallace R. Burke
Assistant Examiner—Robin V. Taylor
Attorney, Agent, or Firm—Richard C. Litman

[57] CLAIM

The ornamental design for a portable wringer, as shown and described.

DESCRIPTION

FIG. 1 is a perspective view of a portable wringer in an unfolded configuration;
FIG. 2 is a front elevational view of a portable wringer in a folded configuration;
FIG. 3 is a rear elevational view thereof;
FIG. 4 is a right side elevational view thereof;
FIG. 5 is a left side elevational view thereof;
FIG. 6 is a bottom view thereof; and,
FIG. 7 is a top view thereof.

The broken line showing of an operating handle, a support container, a slot and two circular apertures for receiving the support container, and a support surface in FIG. 1 is for illustrative purposes only and forms no part of the claimed design.

[56] References Cited

U.S. PATENT DOCUMENTS

D. 96,497	8/1935	Patten .	
D. 153,004	3/1949	Minnis	D49/1
D. 301,073	5/1989	Haack	D32/27
198,493	12/1877	Lovell .	
378,949	3/1888	Blacke	15/262
456,777	7/1891	Reuter	15/262
522,243	7/1894	Tuttle	15/262
1,633,518	6/1927	Clay	15/262
1,669,155	5/1928	Beverley	15/262
1,905,556	4/1933	Fathauer	15/262
1,972,778	9/1934	Kennett	74/547
2,119,686	6/1938	Pribyl	15/262

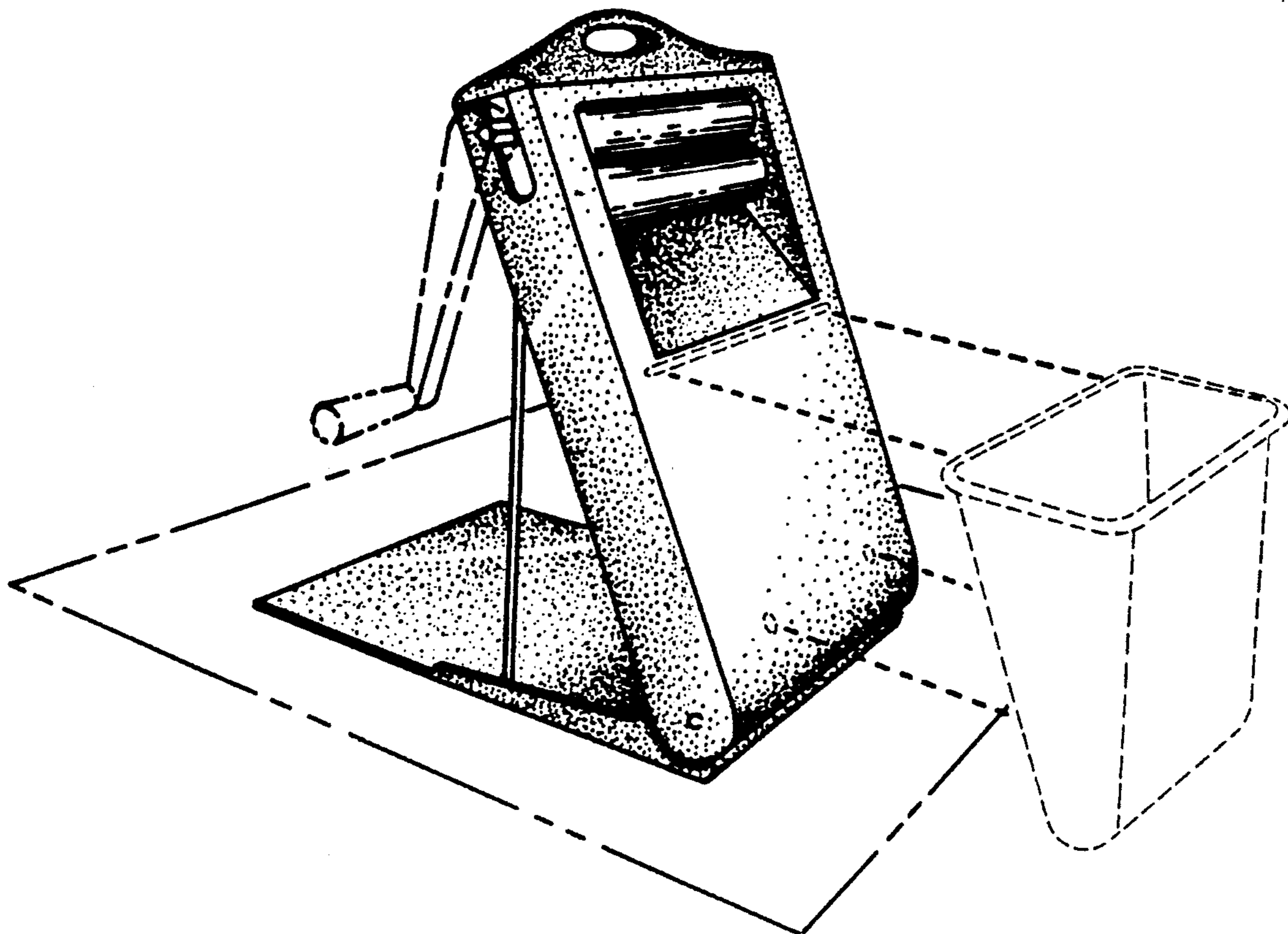


FIG. 1

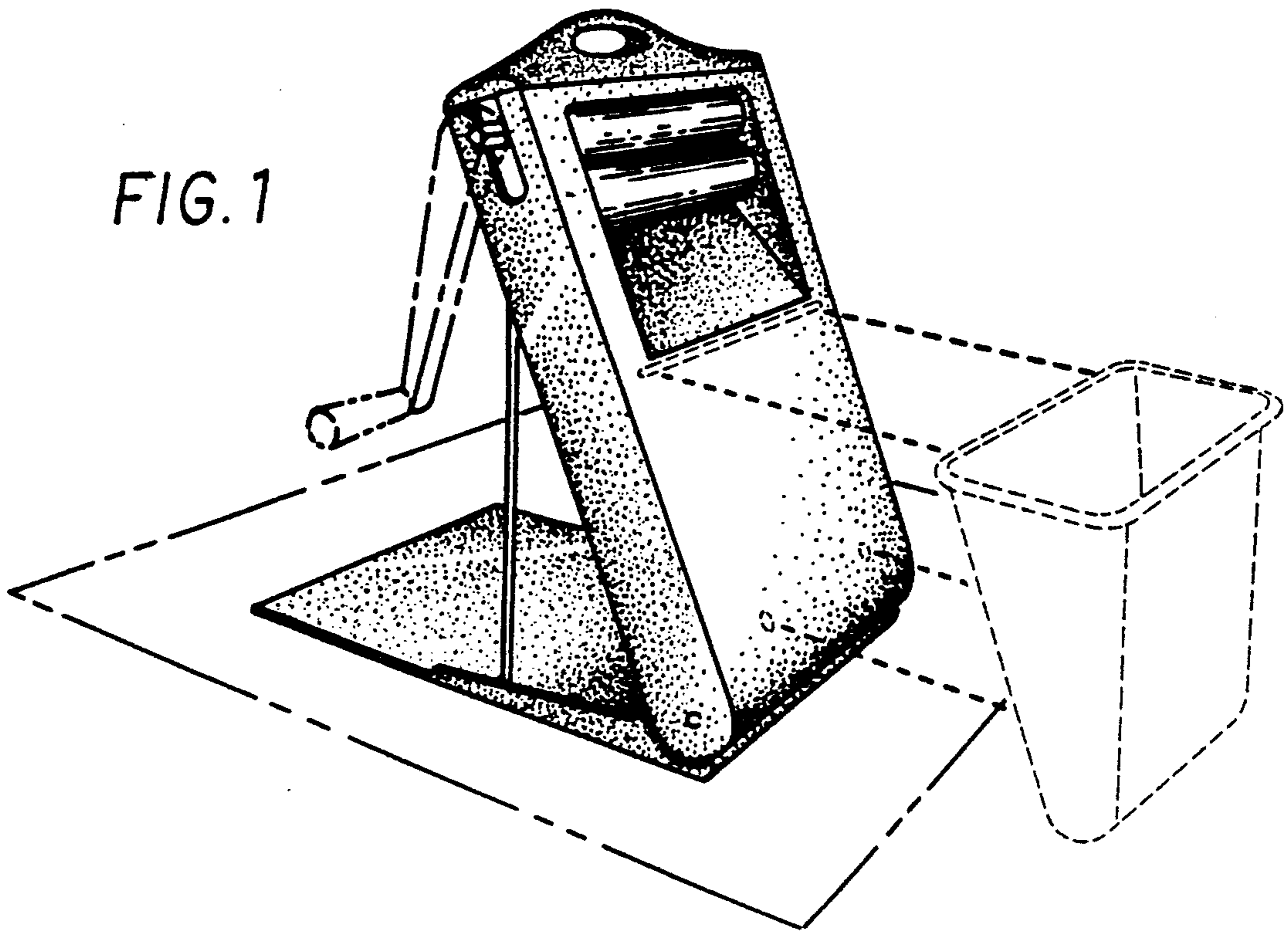


FIG. 2

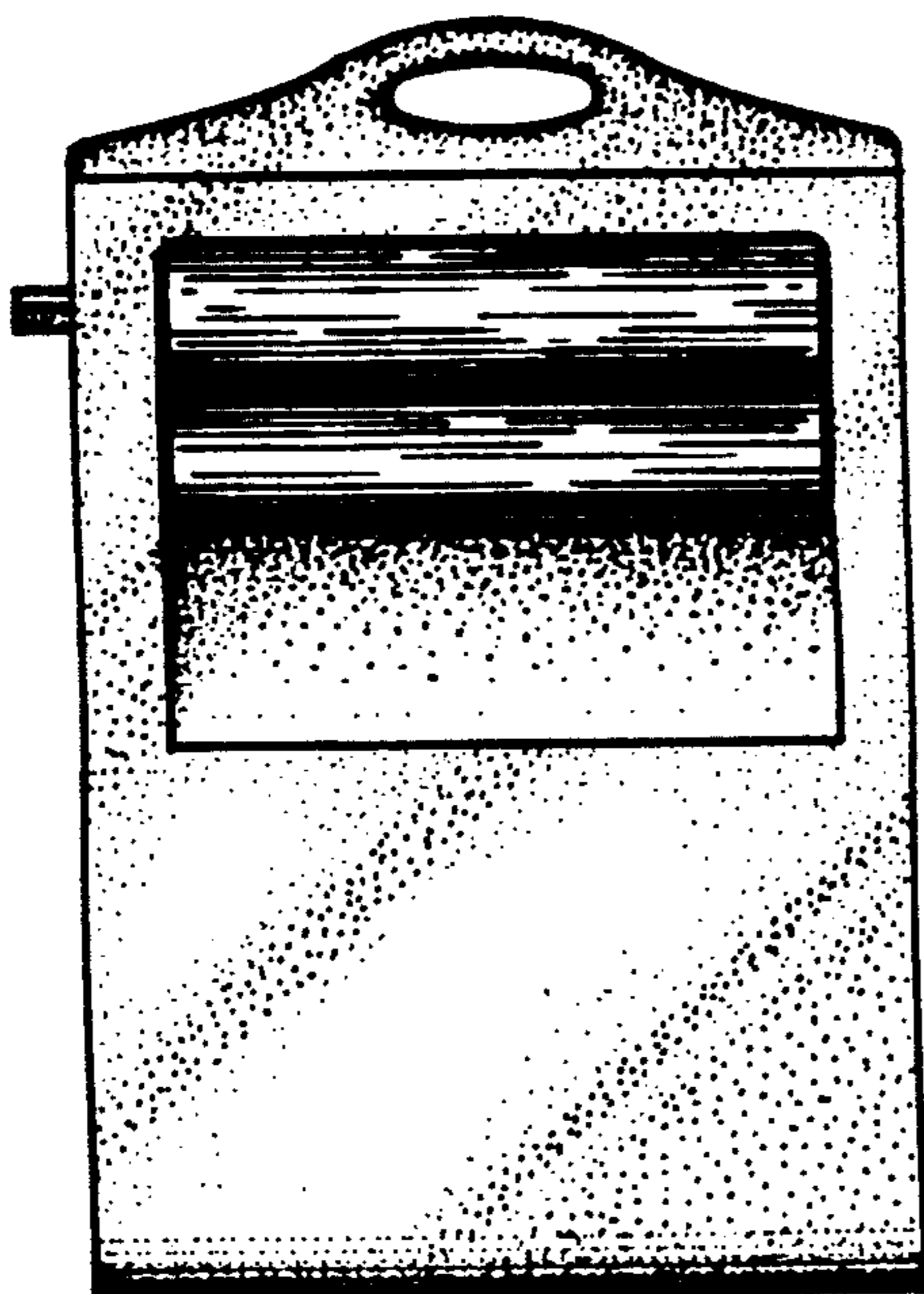


FIG. 3

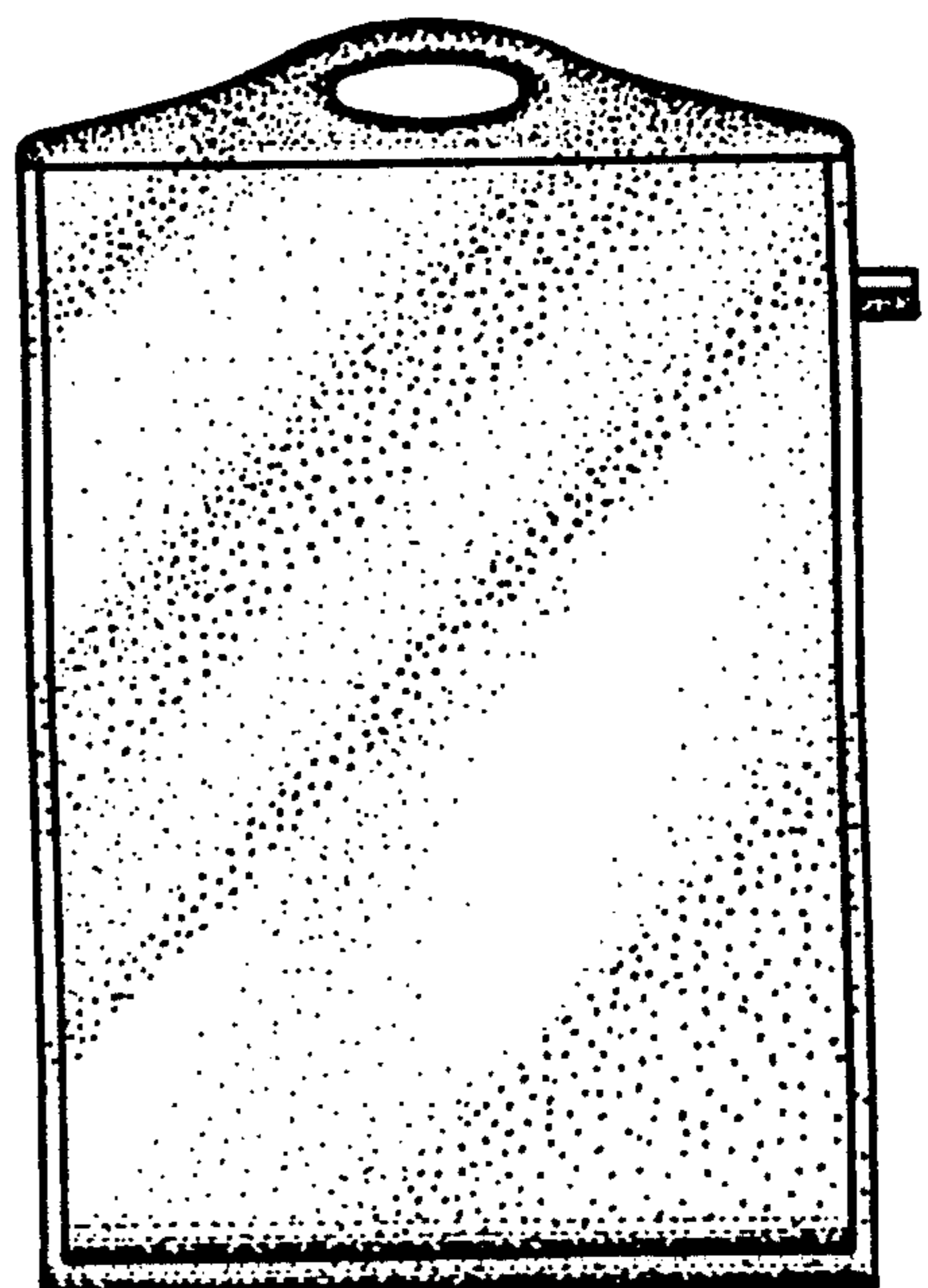


FIG. 4

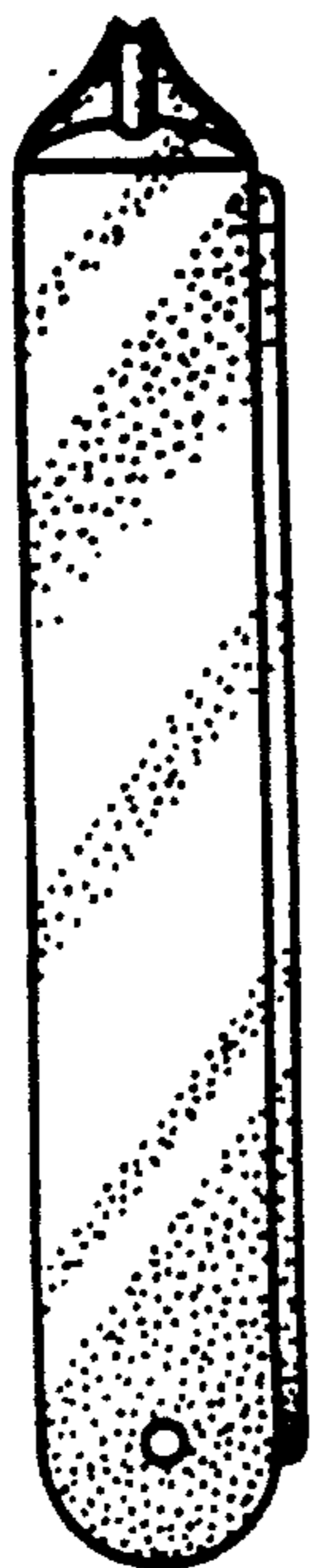


FIG. 5



FIG. 6

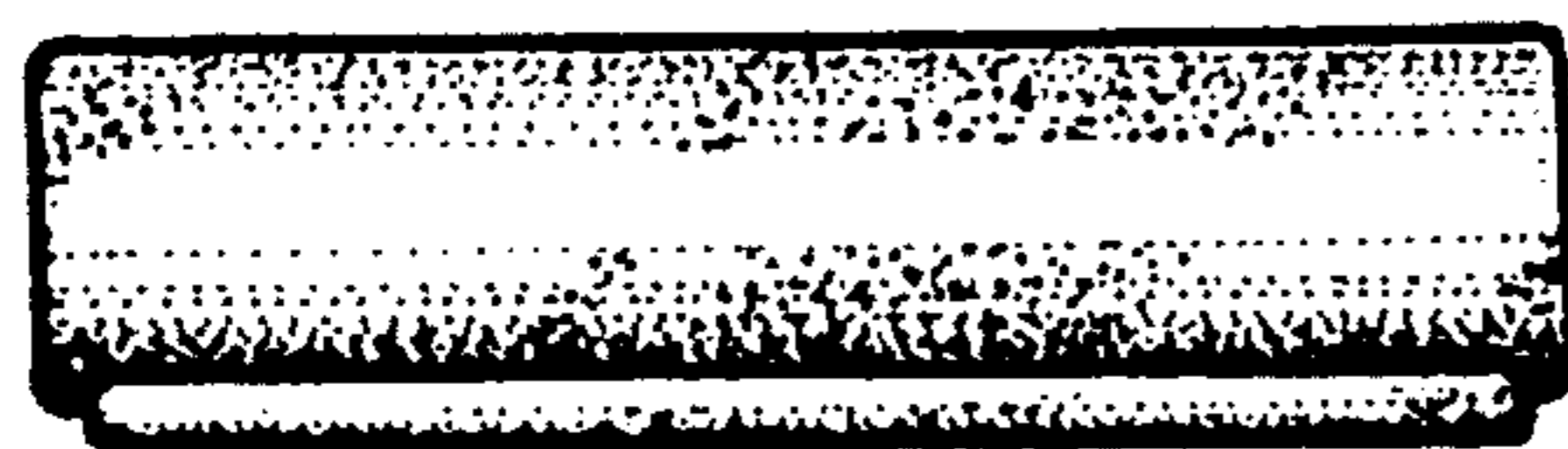


FIG. 7

