



US00D348753S

**United States Patent** [19]  
**Stojanovski**

[11] **Patent Number: Des. 348,753**  
[45] **Date of Patent: \*\* Jul. 12, 1994**

[54] **ROTATING AQUARIUM ORNAMENT**  
[76] **Inventor: Ilko Stojanovski, 46477 Snowbird,  
Mt. Clemens, Mich. 48044**  
[\*\*] **Term: 14 Years**  
[21] **Appl. No.: 8,975**  
[22] **Filed: Jun. 1, 1993**  
[52] **U.S. Cl. .... D30/106**  
[58] **Field of Search ..... 119/254, 256; 116/214;  
210/169; D30/101-107**

3,185,128 5/1965 Moore et al. .... 116/274  
3,746,169 7/1973 Willinger et al. .... 210/169  
4,745,877 5/1988 Chang ..... 116/274  
5,028,321 7/1991 Stone et al. .... 210/169

*Primary Examiner—CathyAnne MacCormac  
Attorney, Agent, or Firm—Remy J. VanOphem*

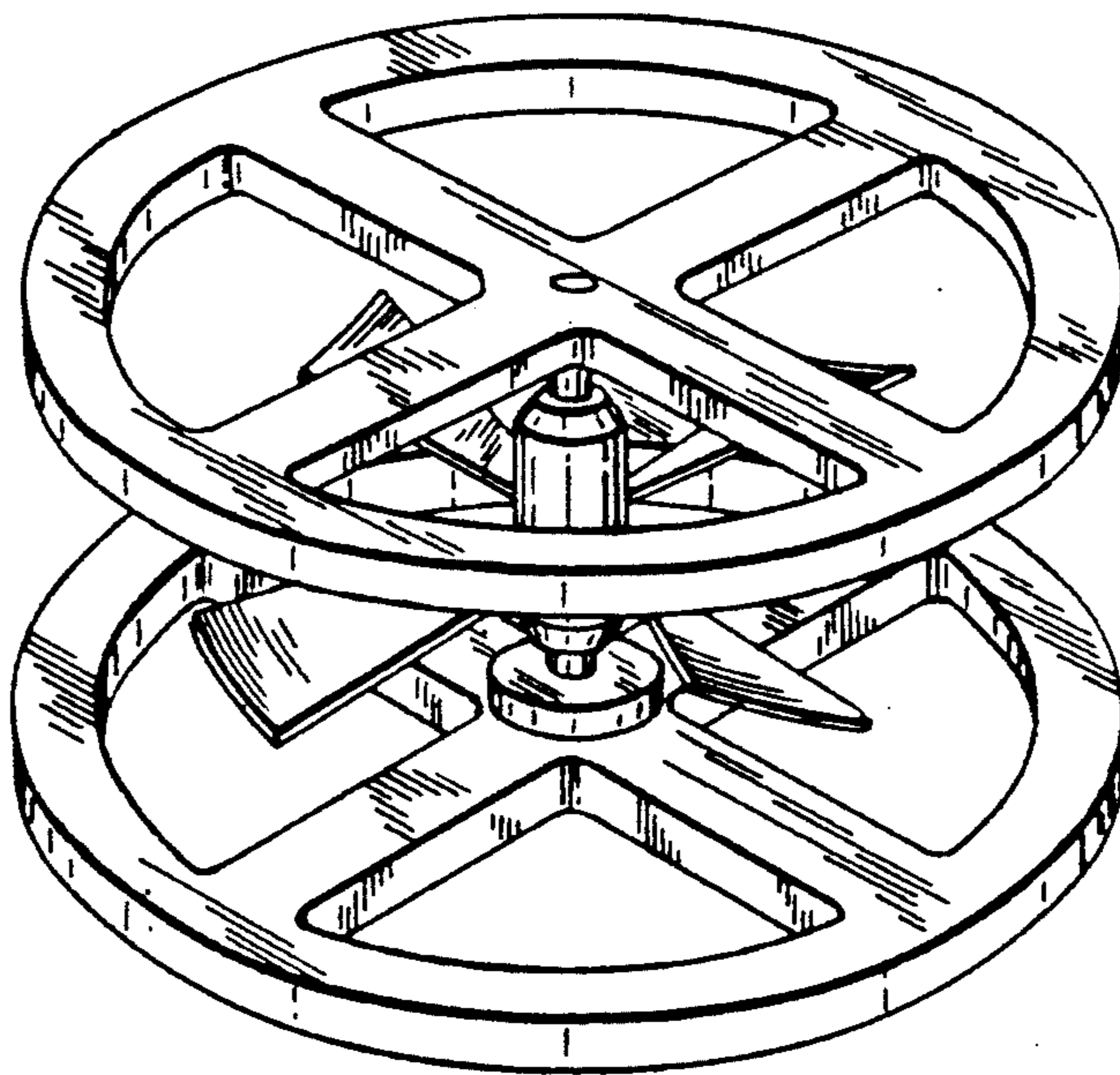
[57] **CLAIM**

The ornamental design for a rotating aquarium orna-  
ment, as shown and described.

**DESCRIPTION**

FIG. 1 is a perspective view of a rotating aquarium  
ornament showing my new design;  
FIG. 2 is a side elevational view thereof, all sides being  
substantially identical to the side shown; and,  
FIG. 3 is a plan view thereof.

[56] **References Cited**  
**U.S. PATENT DOCUMENTS**  
D. 232,102 7/1974 Willinger et al. .... D30/106



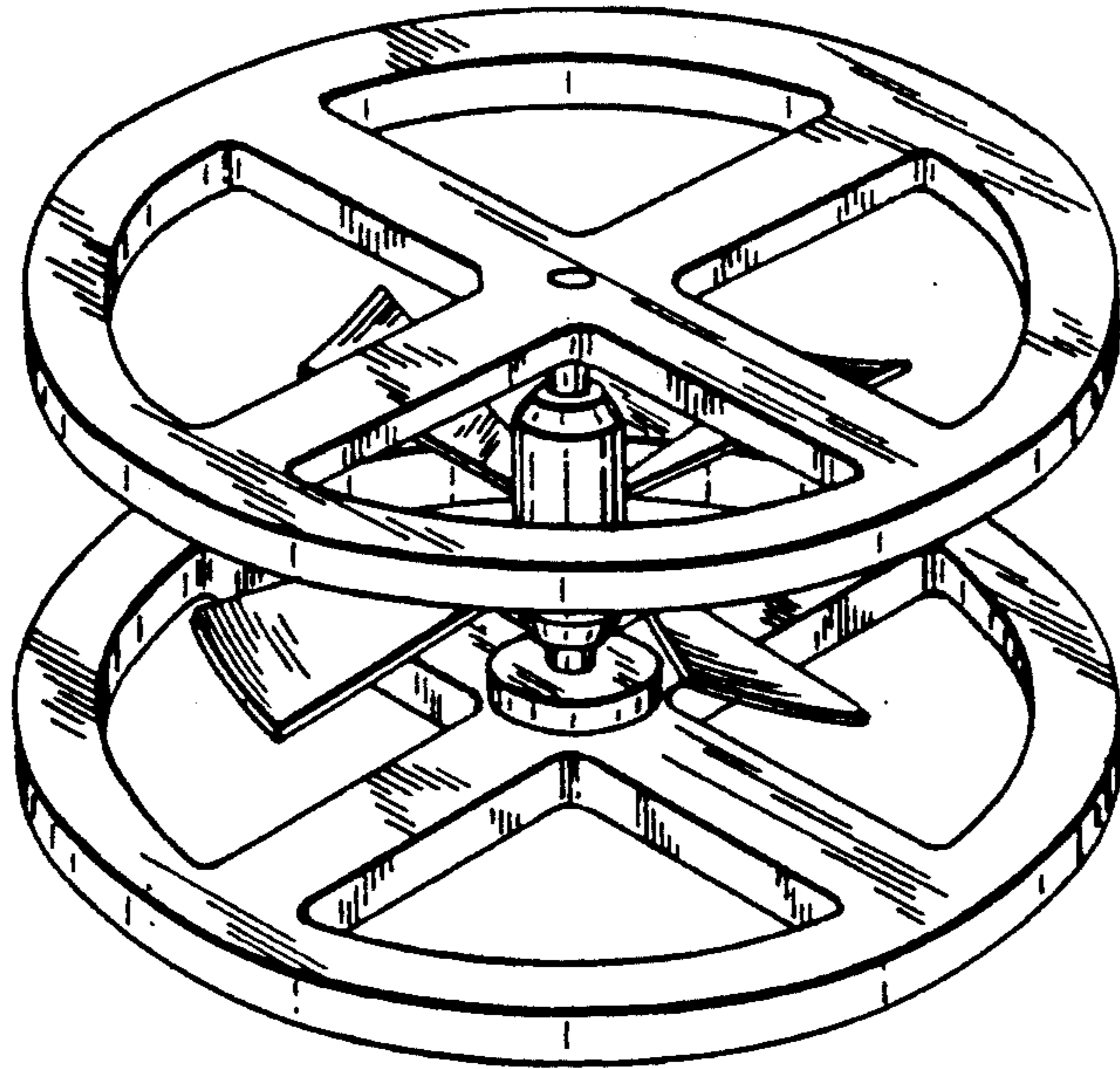


FIG-1

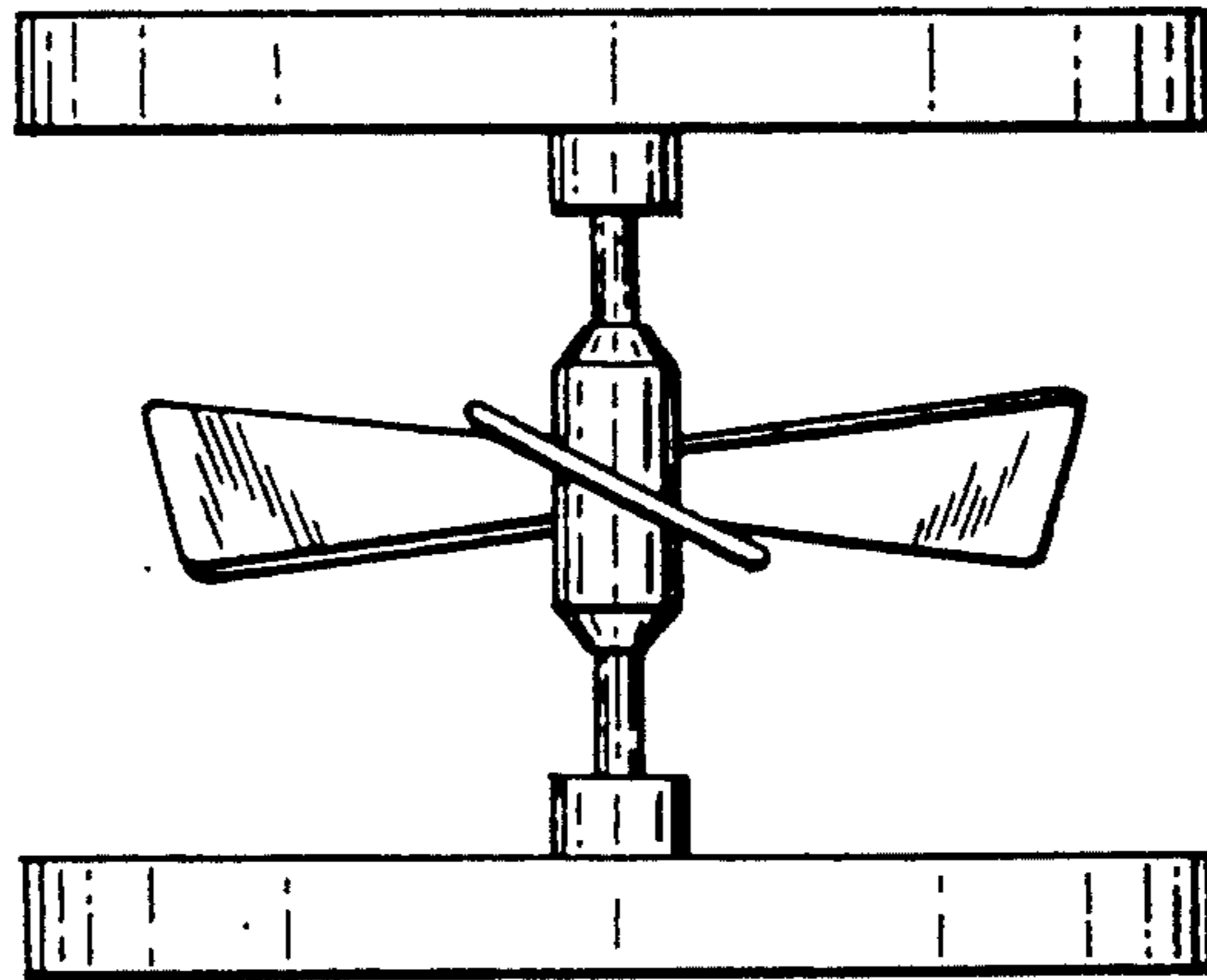


FIG-2

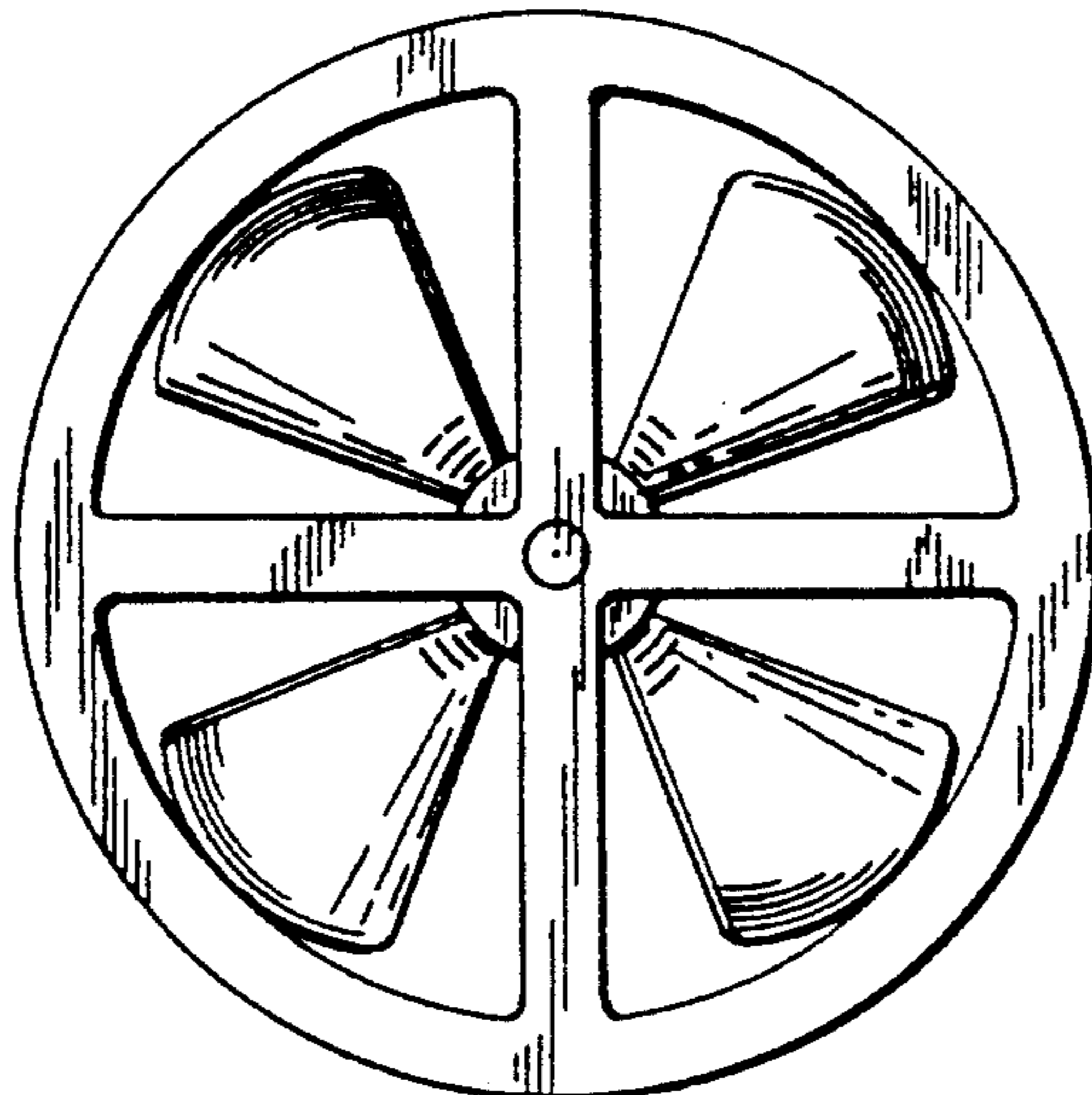


FIG-3