



US00D348744S

# United States Patent [19]

[11] Patent Number: **Des. 348,744**

Johnson et al.

[45] Date of Patent: **\*\* Jul. 12, 1994**

## [54] LIGHT PROJECTOR

[75] Inventors: **Richard A. Johnson**, Milwaukee;  
**Rupert O. Yantz**, West Bend, both of Wis.

[73] Assignee: **Phoenix Products Company, Inc.**, Milwaukee, Wis.

[\*\*] Term: **14 Years**

[21] Appl. No.: **861,491**

[22] Filed: **Mar. 31, 1992**

[52] U.S. Cl. .... **D26/63**

[58] Field of Search ..... 362/3, 217, 218, 362,  
362/368, 275, 373; D14/128, 299; D26/2, 4, 63,  
65

## [56] References Cited

### U.S. PATENT DOCUMENTS

D. 93,933	11/1934	Levy	.....	D26/63
D. 198,637	7/1964	Birns	.....	D26/63
D. 297,641	9/1988	Sogabe	.....	D14/128
D. 316,304	4/1991	Court	.....	D26/63
D. 327,955	7/1992	Hart	.....	D26/63
3,116,022	12/1963	Davis	.....	362/275

### OTHER PUBLICATIONS

Home Lighting and Accessories, Dec. 1978, p. 45.

Universe Stage Lighting Inc. Catalog, p. 8 (1K 6" Ellipsoidal Series Spotlight).

Applicant's Exhibit No. 1, one page brochure entitled "New Micro Ellipse", of Theatre Service and Supply Corp., 1792 Union Ave., Baltimore, Md. 21211.

Applicant's Exhibit No. 2, advertisement entitled "MR Low Voltage Pattern and Framing Projector 75", of Times Square Lighting, Industrial Park, Stony Point, N.Y. 10980.

(List continued on next page.)

Primary Examiner—**B. J. Bullock**

Assistant Examiner—**Adir Aronovich**

Attorney, Agent, or Firm—**Quarles & Brady**

## [57] CLAIM

The ornamental design for a light projector, as shown and described.

## DESCRIPTION

FIG. 1 is a front top perspective view of a light projector showing our new design;

FIG. 2 is a top plan view thereof;

FIG. 3 is a left side elevational view thereof;

FIG. 4 is a right side elevational view thereof;

FIG. 5 is a bottom plan view thereof;

FIG. 6 is an enlarged rear elevational view thereof;

FIG. 7 is an enlarged front elevational view thereof;

FIG. 8 is a top plan view of a second embodiment of a light projector showing our new design, the rear and front elevational views thereof being the same as FIGS. 6 and 7;

FIG. 9 is a left side elevational view thereof;

FIG. 10 is a right side elevational view thereof;

FIG. 11 is a bottom plan view thereof;

FIG. 12 is a left side elevational view of a third embodiment of a light projector showing our new design, the top plan view thereof being the same as FIG. 2;

FIG. 13 is a right side elevational view thereof;

FIG. 14 is a bottom plan view thereof;

FIG. 15 is a slightly enlarged rear elevational view thereof;

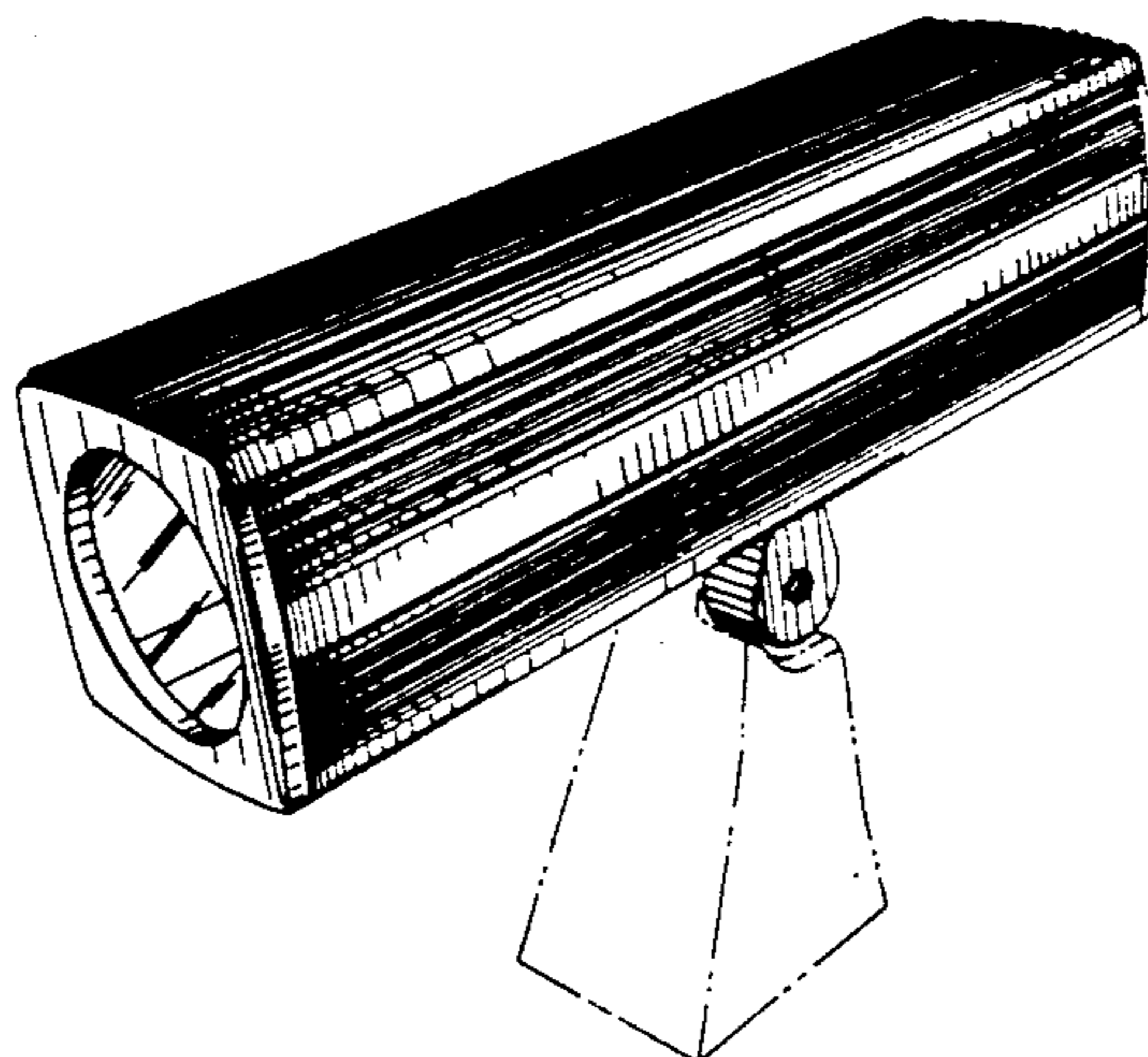
FIG. 16 is a slightly enlarged front elevational view thereof;

FIG. 17 is a left side elevational view of a fourth embodiment of a light projector showing our new design, the top plan view thereof being the same as FIG. 8 and the rear and front elevational views thereof being the same as FIGS. 15 and 16;

FIG. 18 is a right side elevational view thereof; and,

FIG. 19 is a bottom plan view thereof.

The broken line representation of a mounting base in FIG. 1 forms no part of the present design and is shown for the purpose of illustration only.



OTHER PUBLICATIONS

Applicant's Exhibit No. 3, one page brochure entitled "Casino Light", of ARC Lighting, 72 Loring Ave., Salem, Mass. 01970.

Applicant's Exhibit No. 4, two page brochure entitled "Mini-Casino Light", of ARC Lighting, 72 Loring Ave., Salem, Mass. 01970.

Applicant's Exhibit No. 5, two page brochure entitled "Lekolite Spotlight 2205 Strand Century", of Strand Century, Inc., 18111 South Santa Fe Avenue, P.O. Box 9004, Rancho Dominguez, Calif. 90224.

Applicant's Exhibit No. 6, two page brochure entitled "Parellipsphere", of Electro Controls, Inc., 2975 South 300 West, Salt Lake City, Utah 84115.

Applicant's Exhibit No. 7, two page brochure entitled "Catalog number 1KL6-2040Z 500-1000 watt 1KL

ellipsoidal", of Altman Stage Lighting Co., Inc., 57 Alexander Street, Yonkers, N.Y. 10701.

Applicant's Exhibit No. 8, nine page literature of LTM Corporation of America, 11646 Pendleton Street, Sun Valley, Calif. 91352-2501, describing "The LTM Korrigan 1200 1200W HMI Long Throw Followspot", The LTM Hobbit 1200 1200W HMI Short Throw Followspot, the Puck HMI Follow Spot 1200 and the Pixie 575 HMI Follow Spot.

Applicant's Exhibit No. 9, two page brochure entitled "LEE Colortran International® Operating Instructions For Zoom Ellipsoid", of LEE Colortran, 1015 Chestnut St., Burbank, Calif. 91506-9983.

Applicant's Exhibit No. 10, two page brochure entitled "Berkey Colortran® Zoom Ellipse catalog No. 213-165", of Berkey Colortran, Inc., 1015 Chestnut St., Burbank, Calif. 91502.

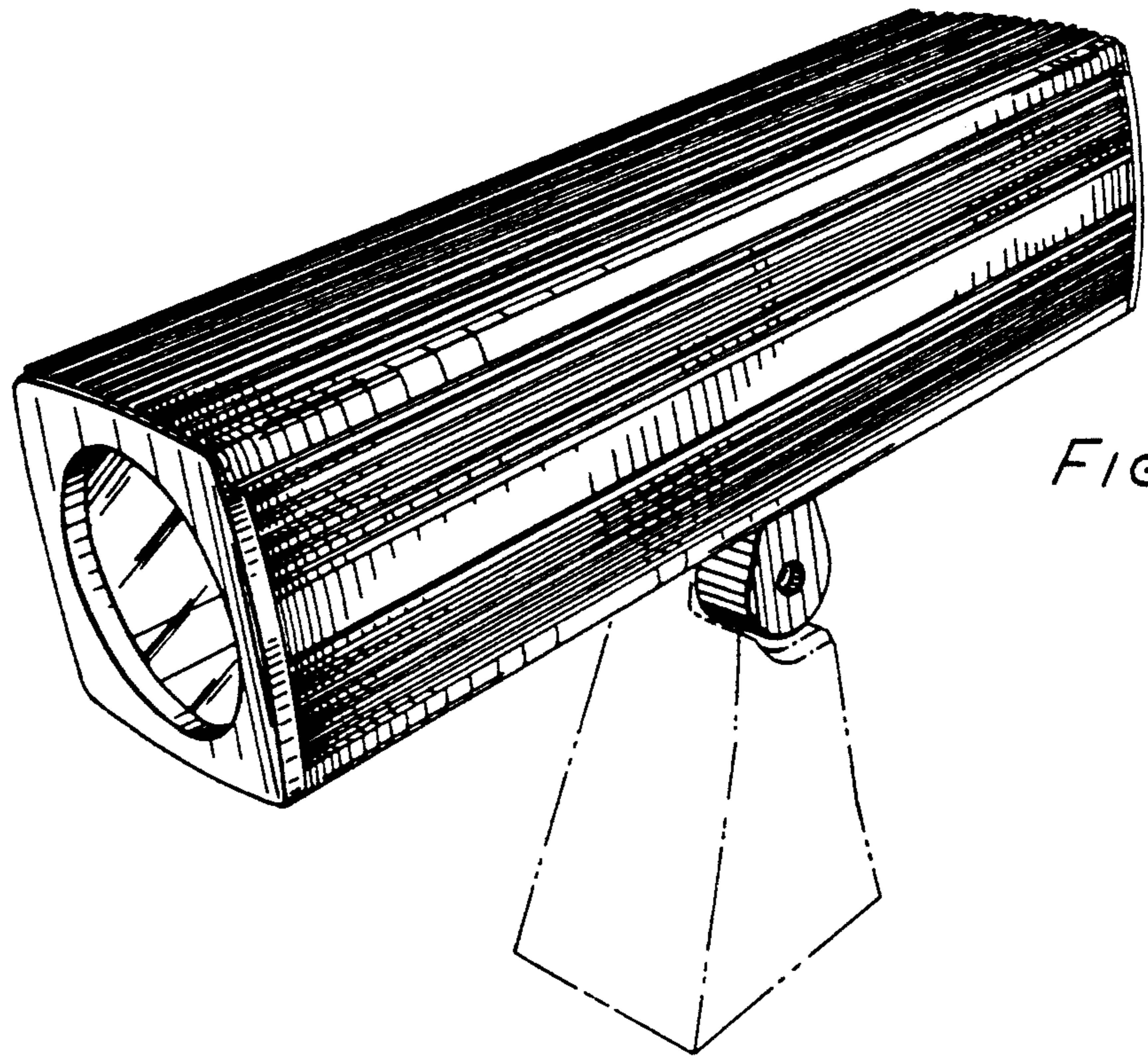


FIG. 1.

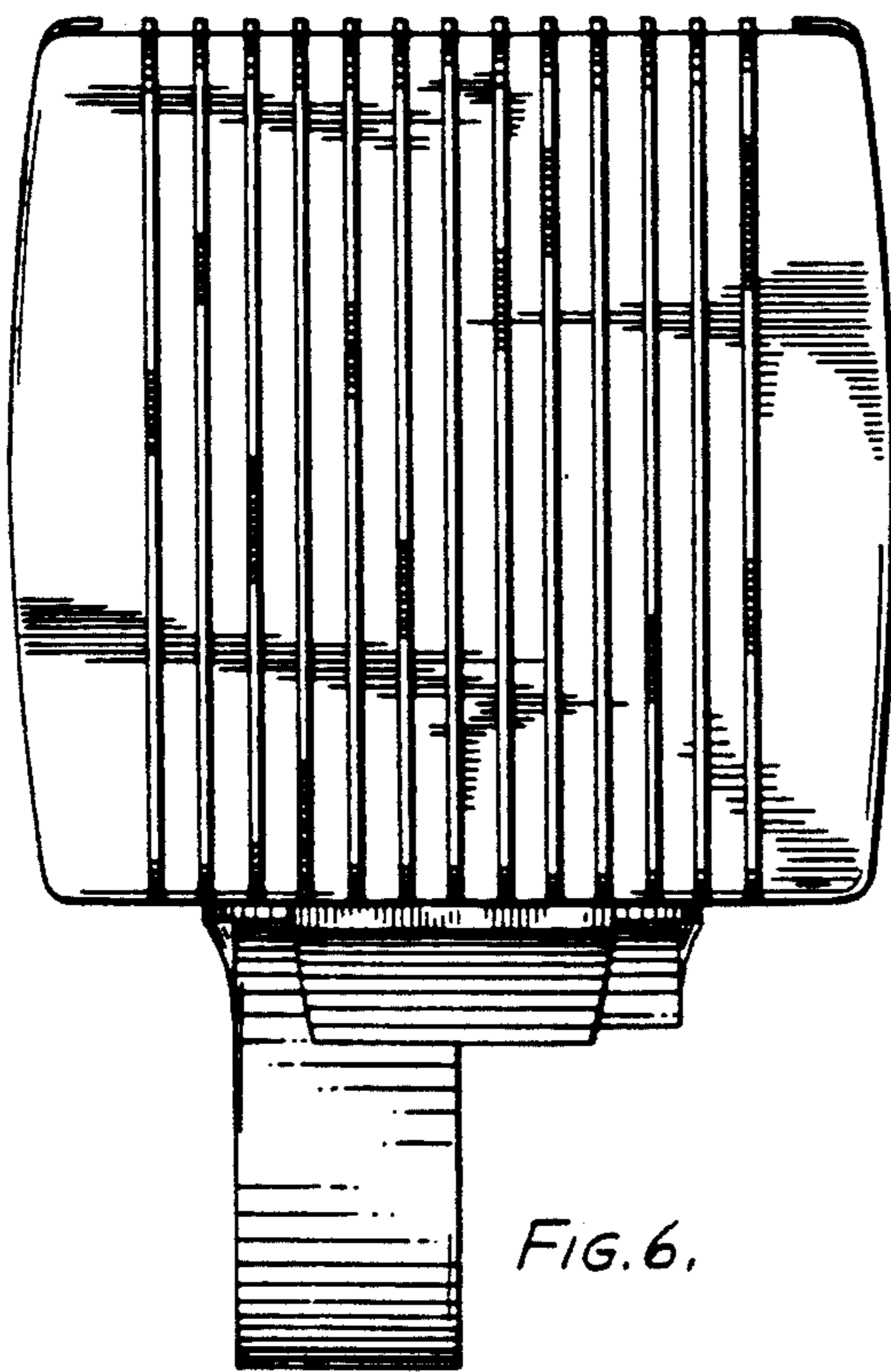


FIG. 6.

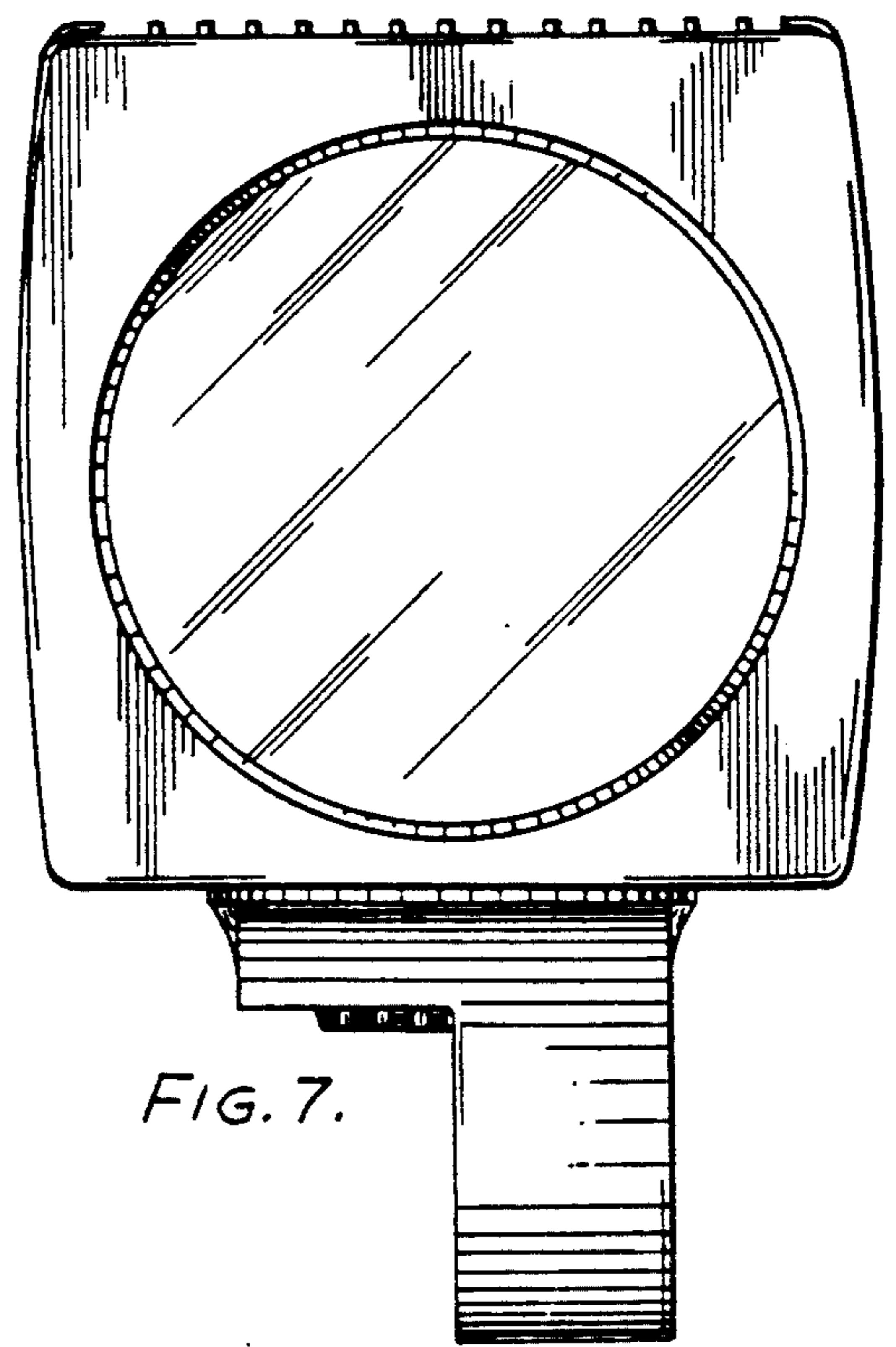


FIG. 7.

FIG. 2.

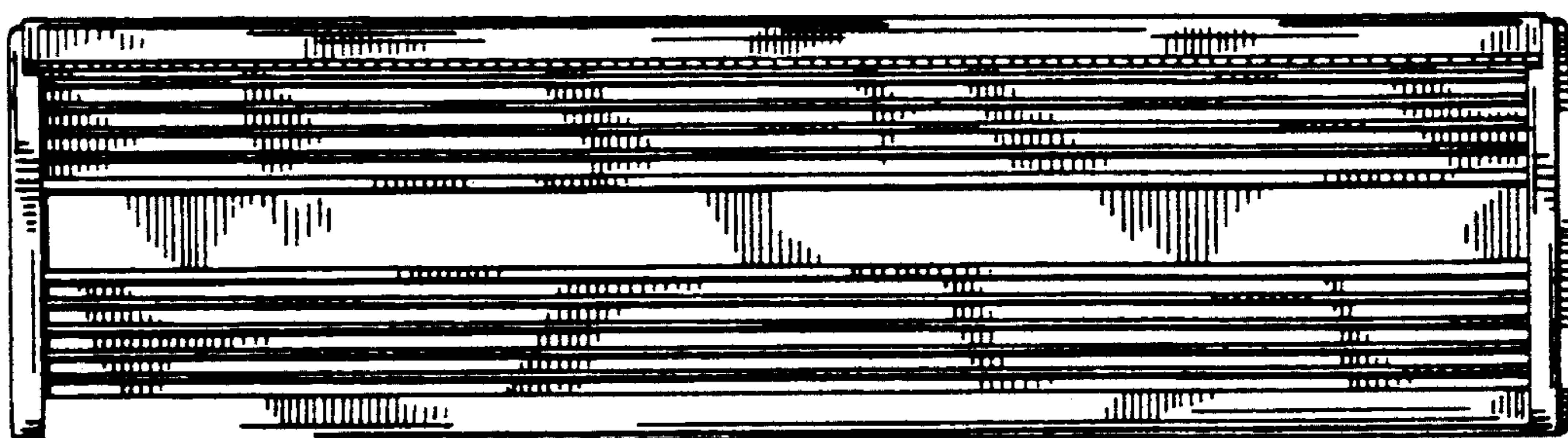
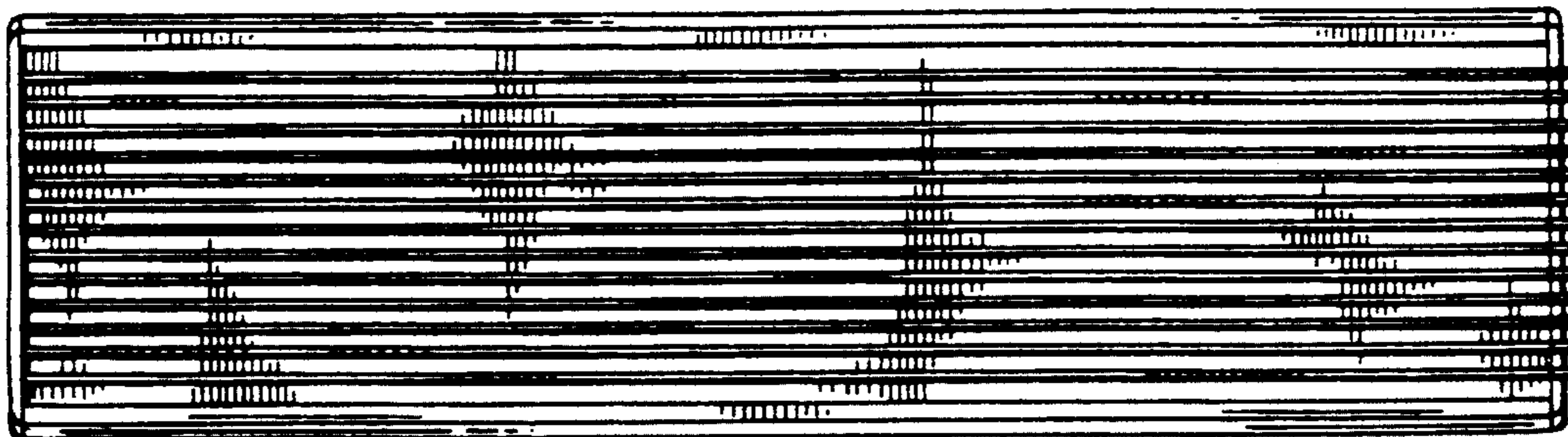


FIG. 3.

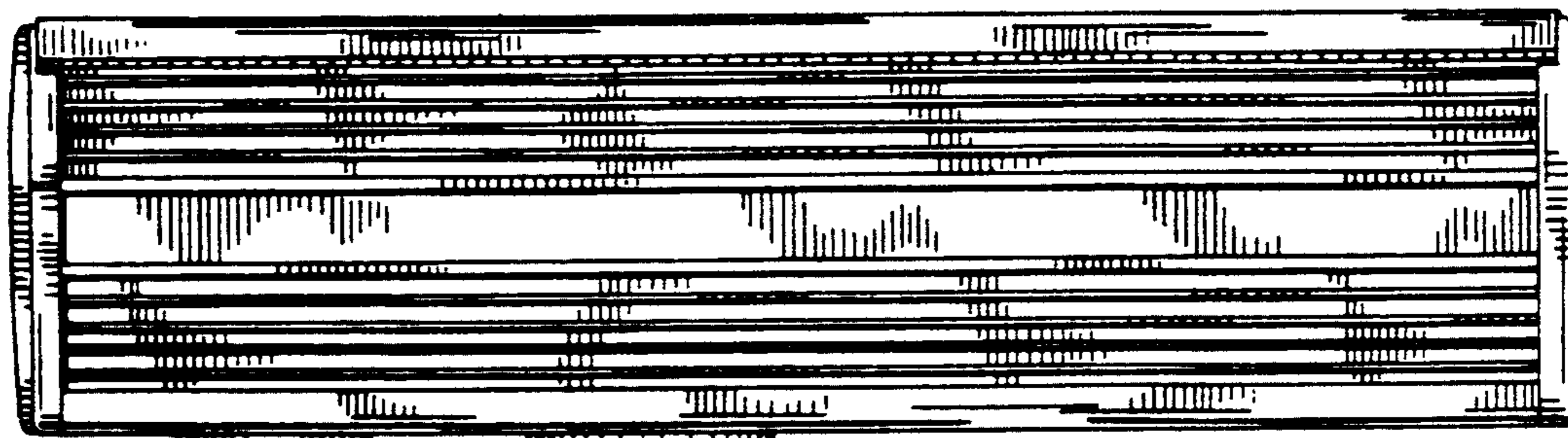


FIG. 4.

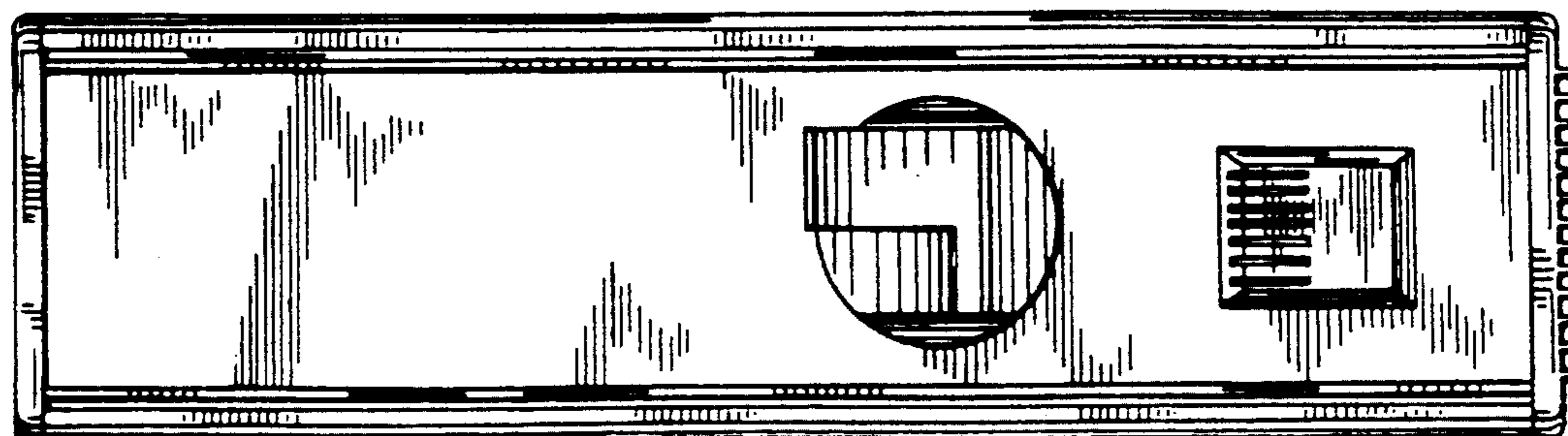


FIG. 5.

FIG. 8.

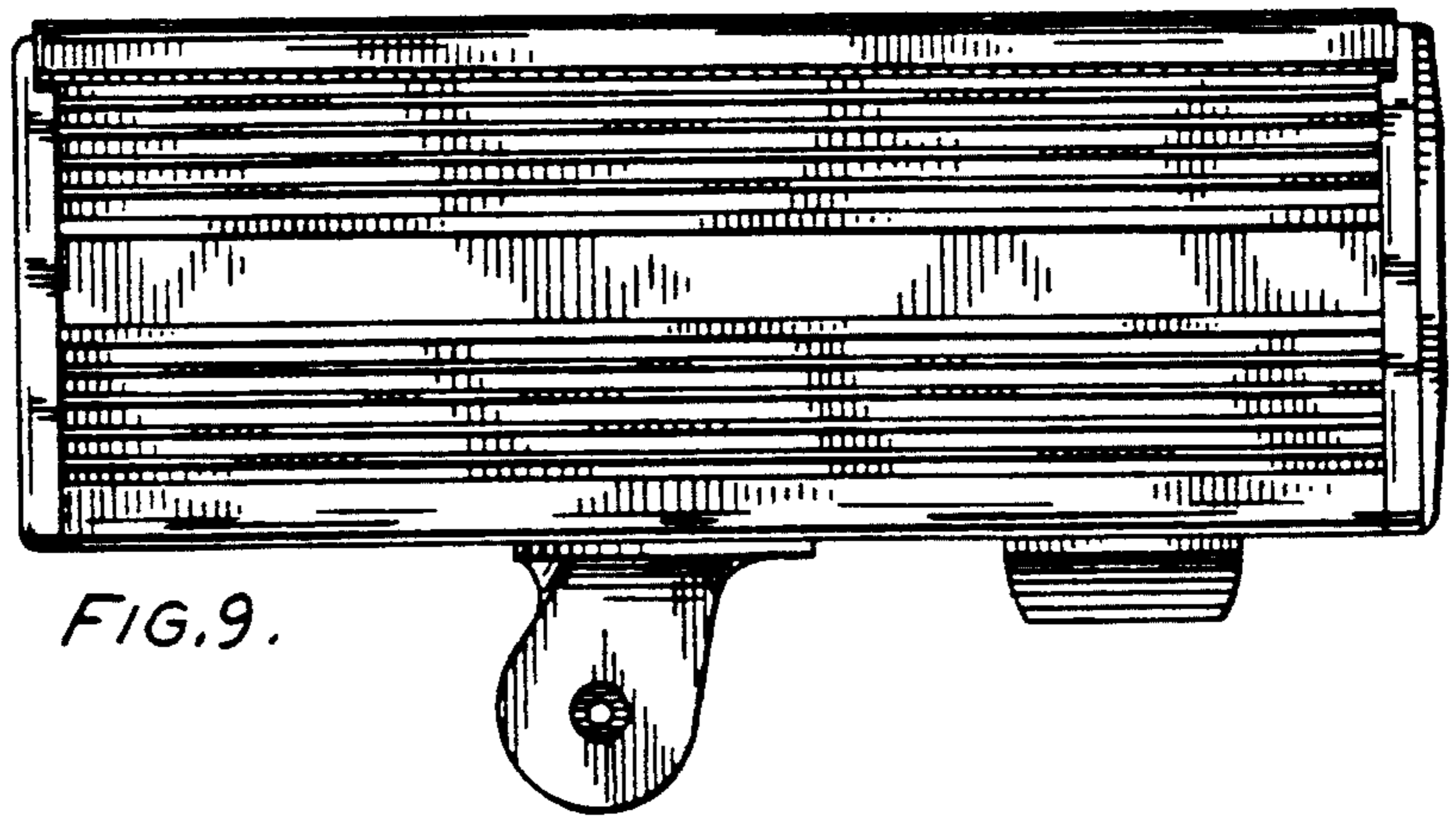
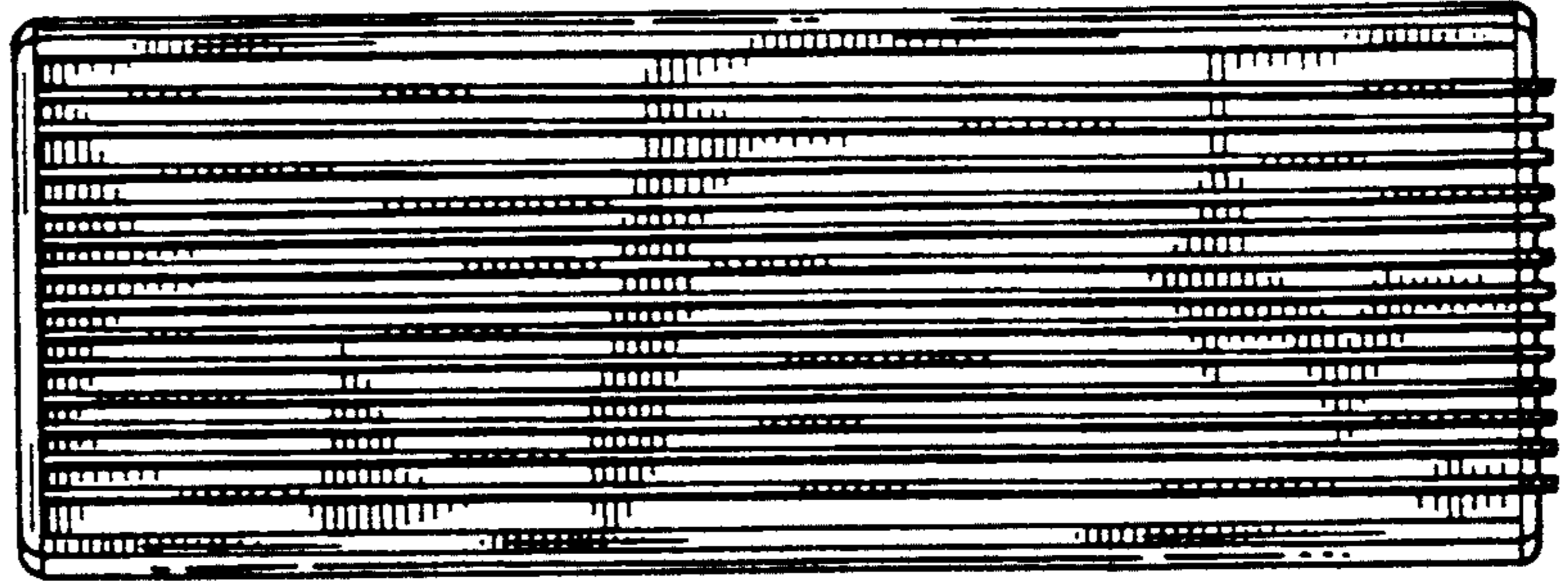


FIG. 9.

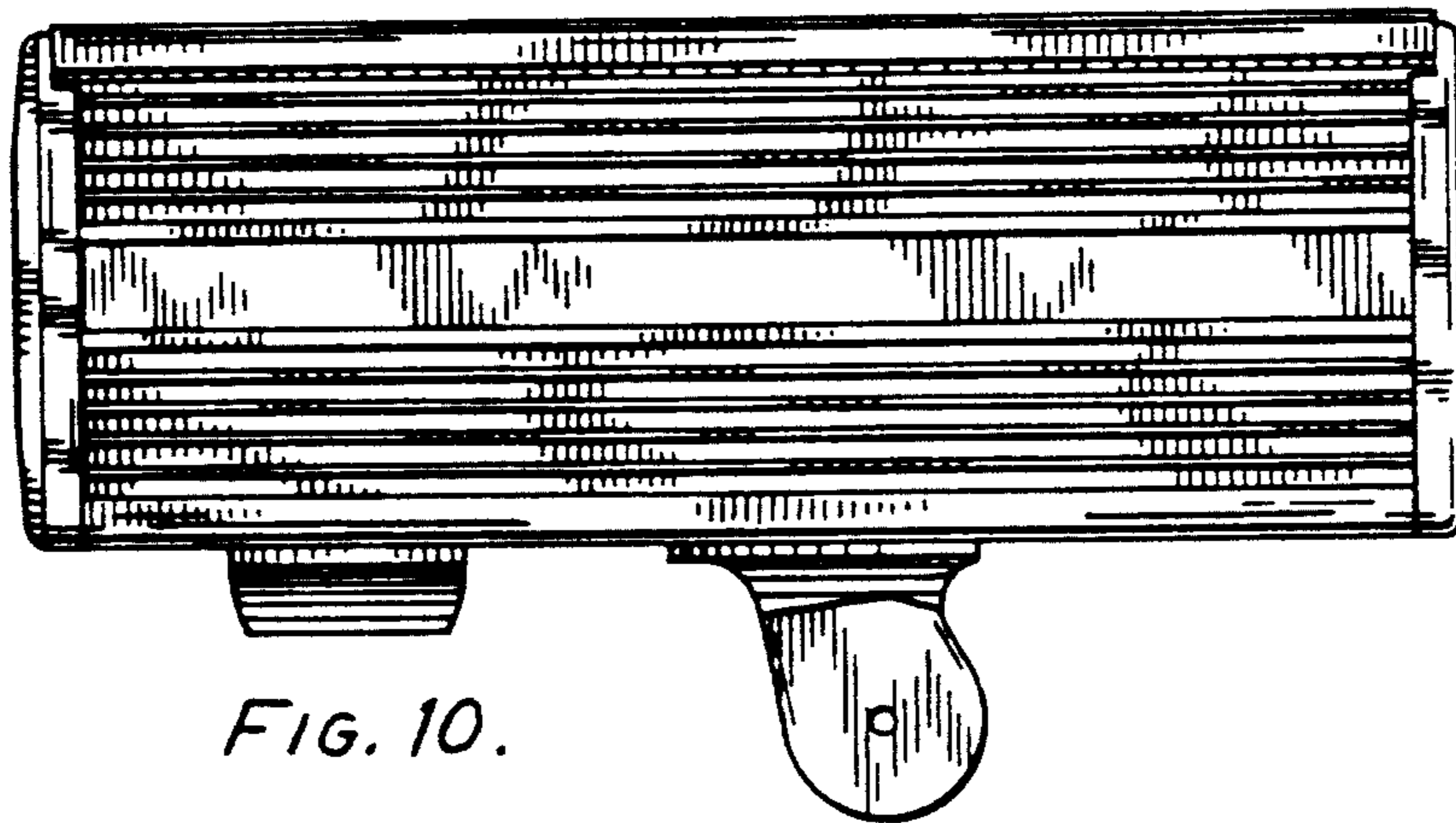


FIG. 10.

FIG. 11.

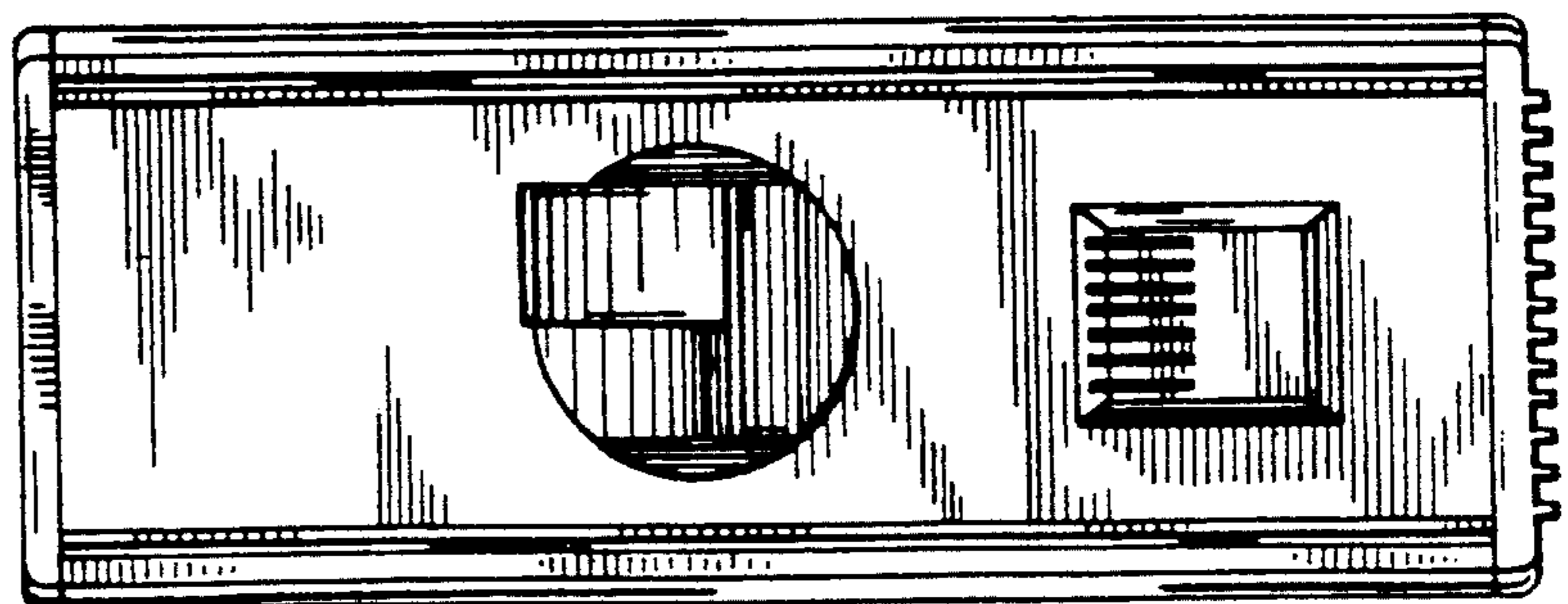


FIG.12.

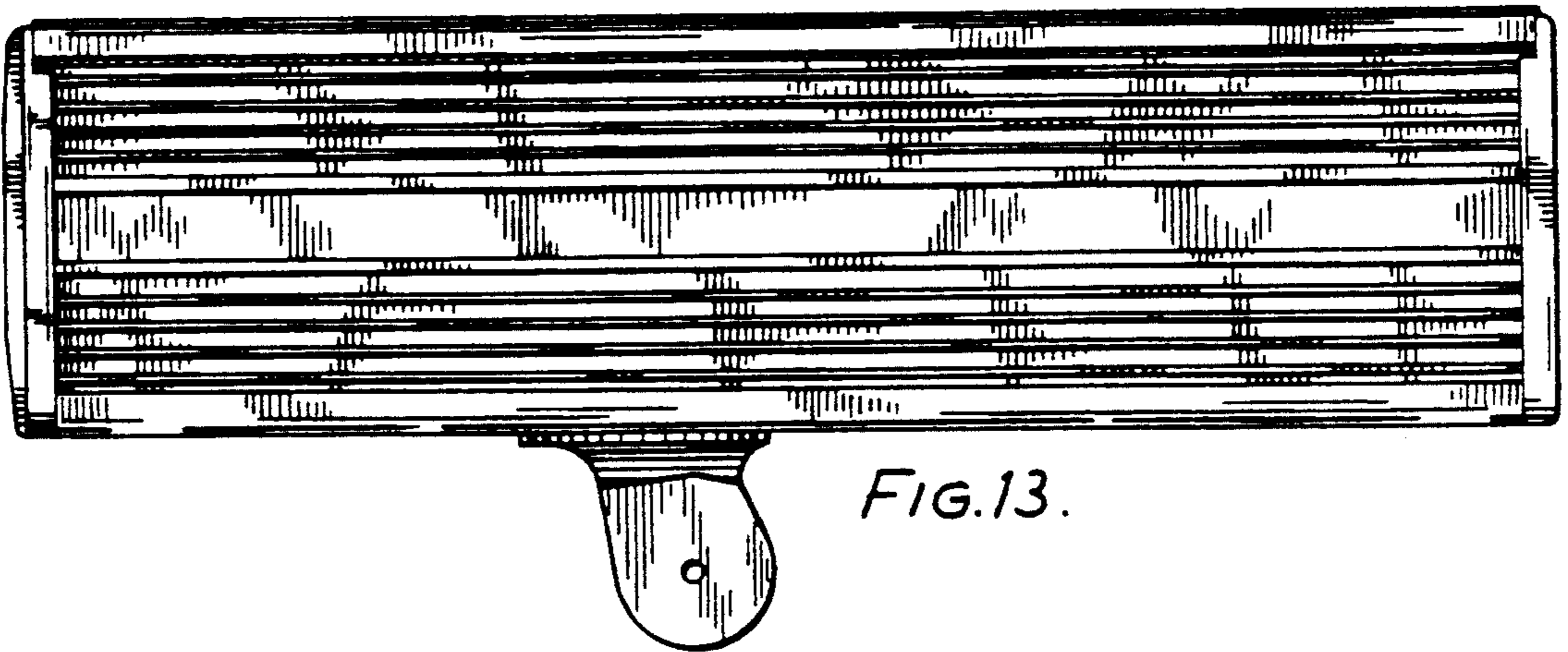
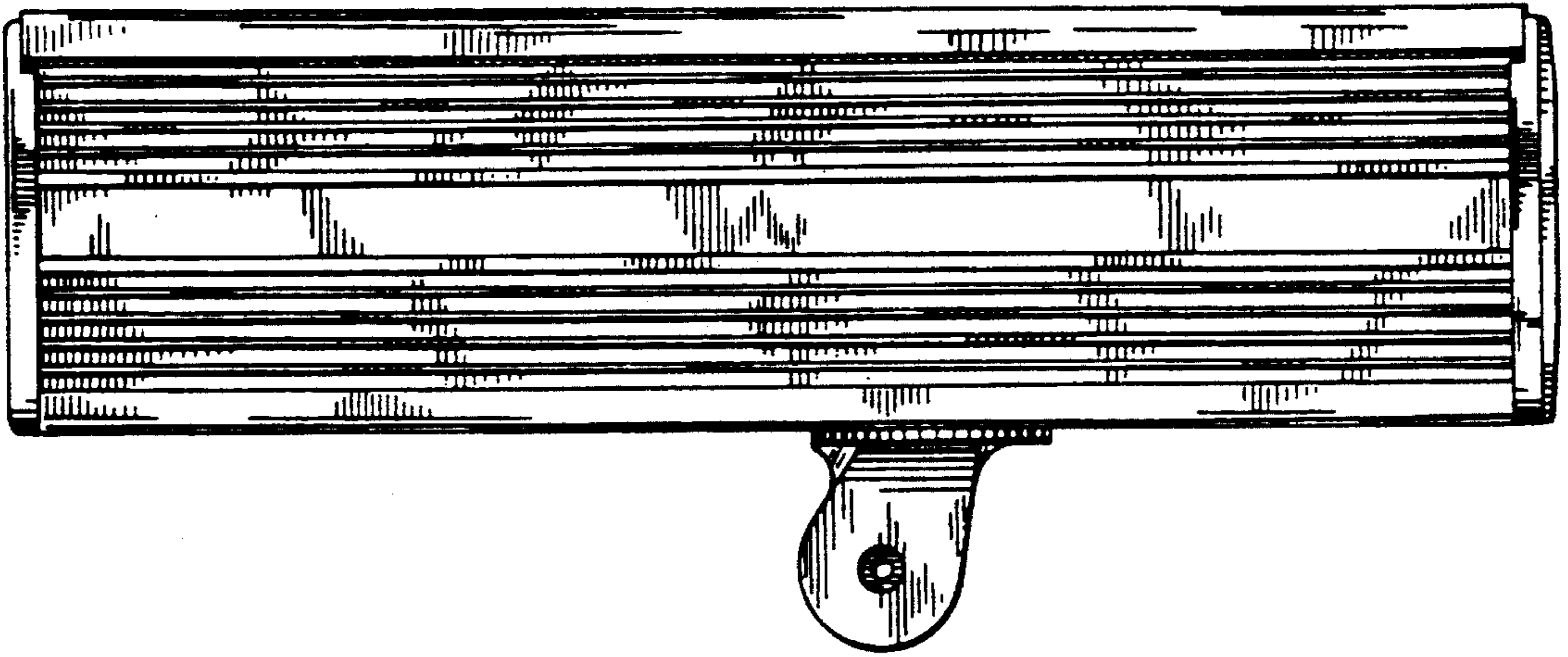


FIG.13.

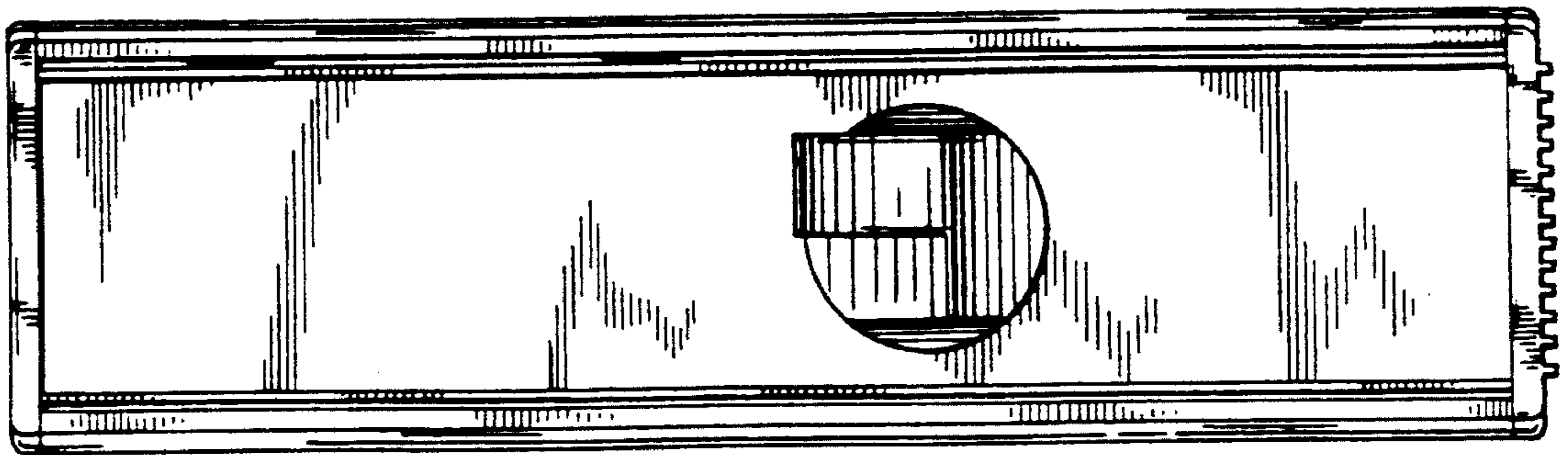


FIG.14.

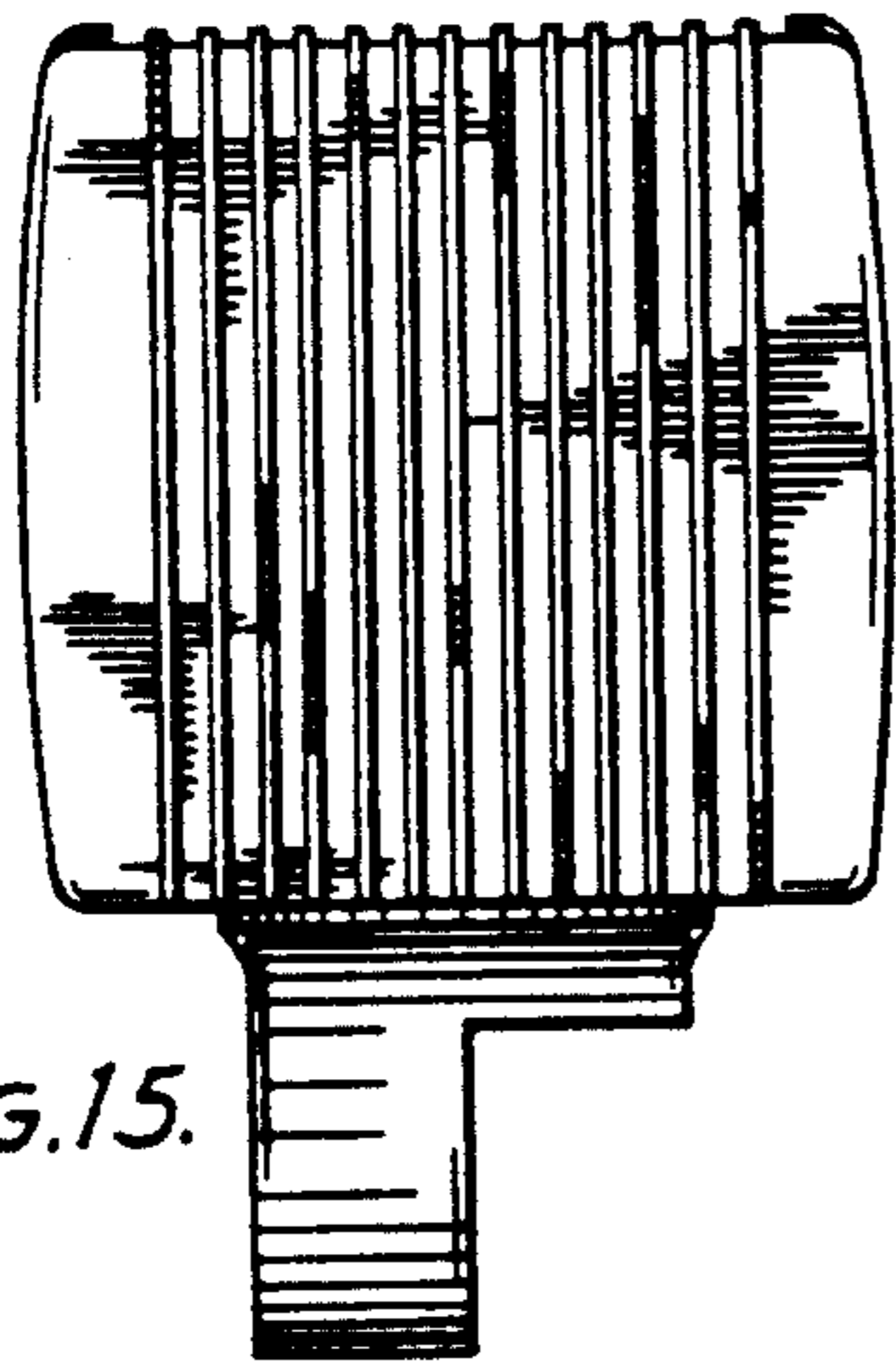


FIG. 15.

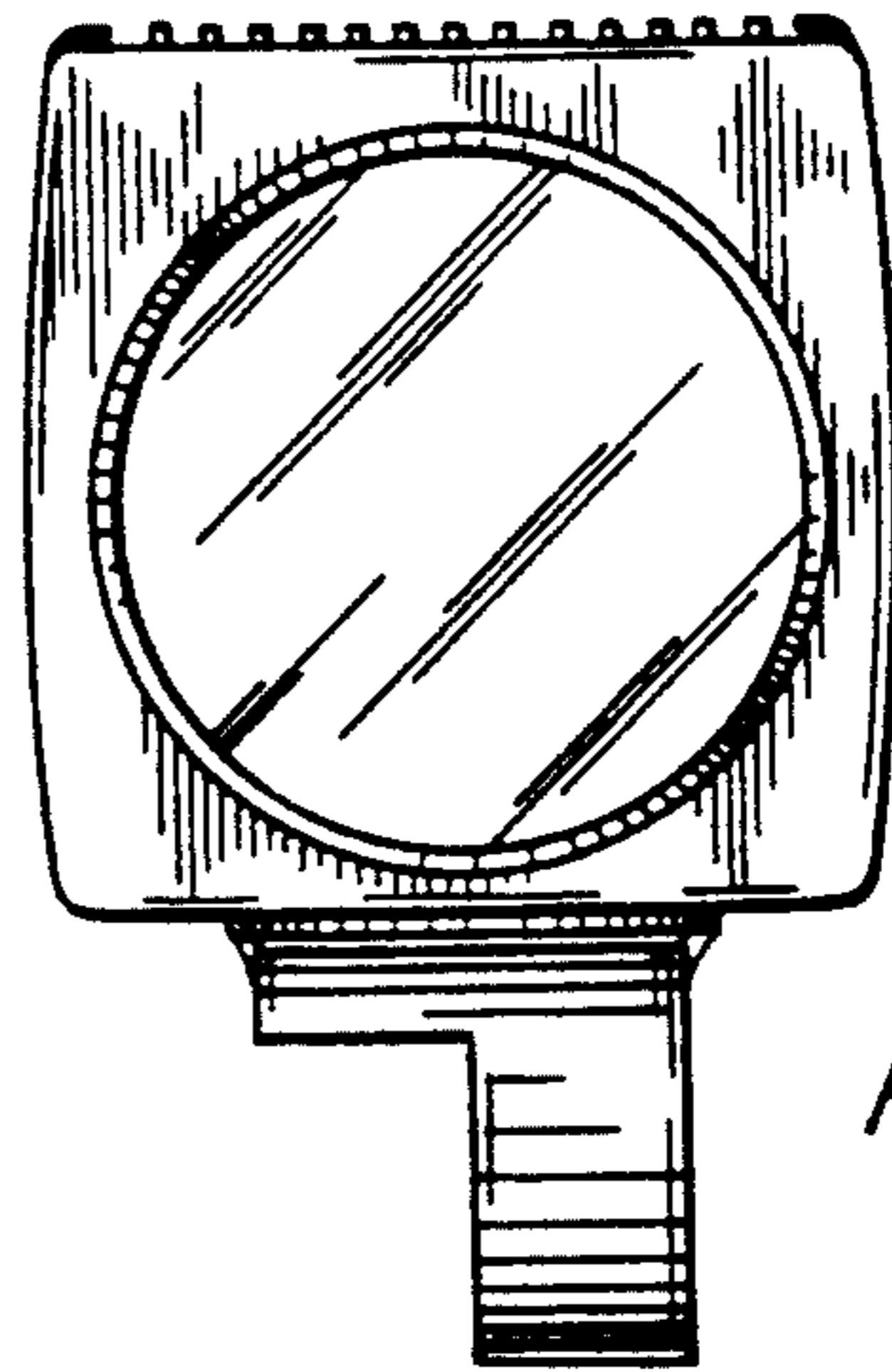


FIG. 16.

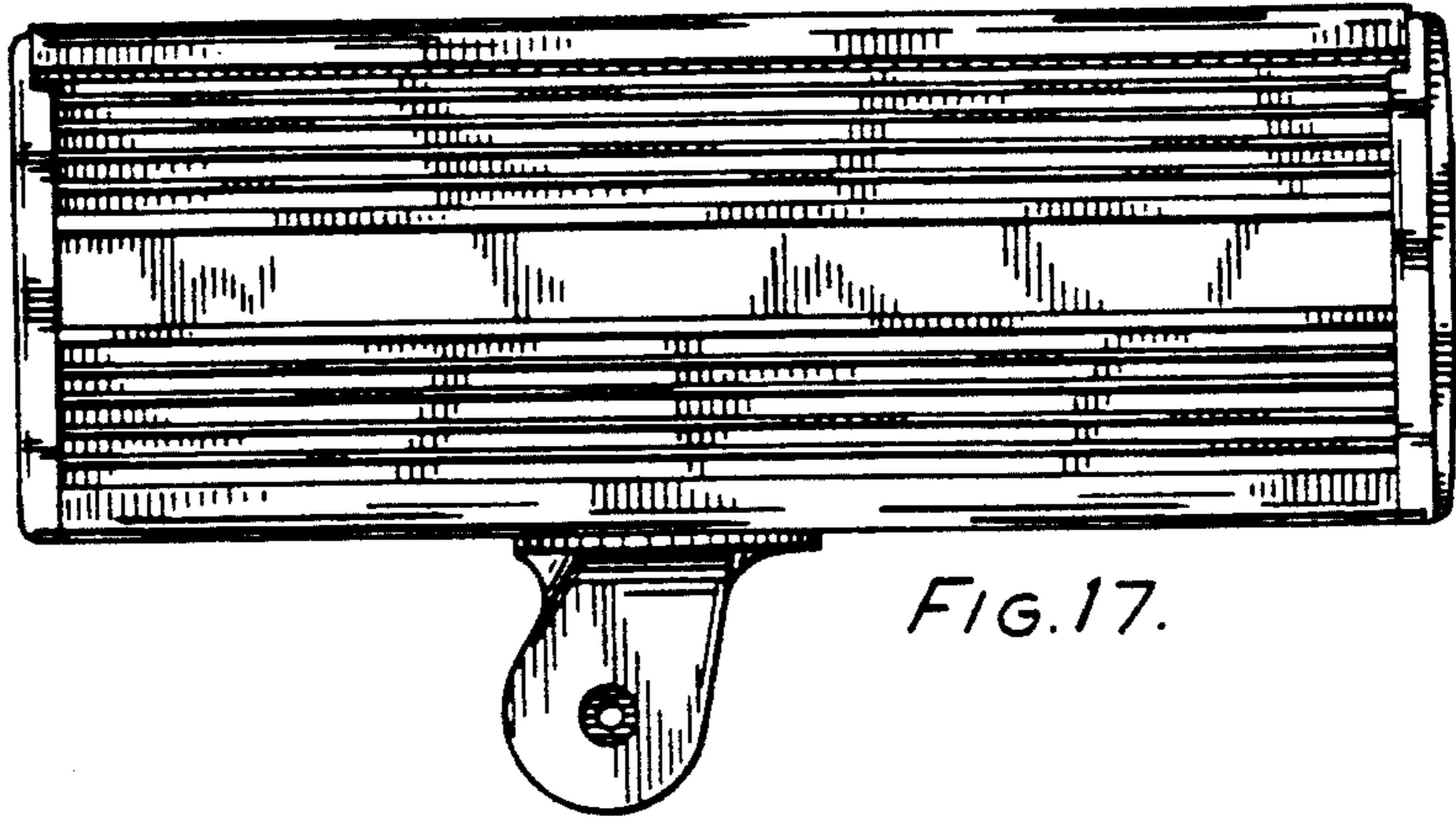


FIG. 17.

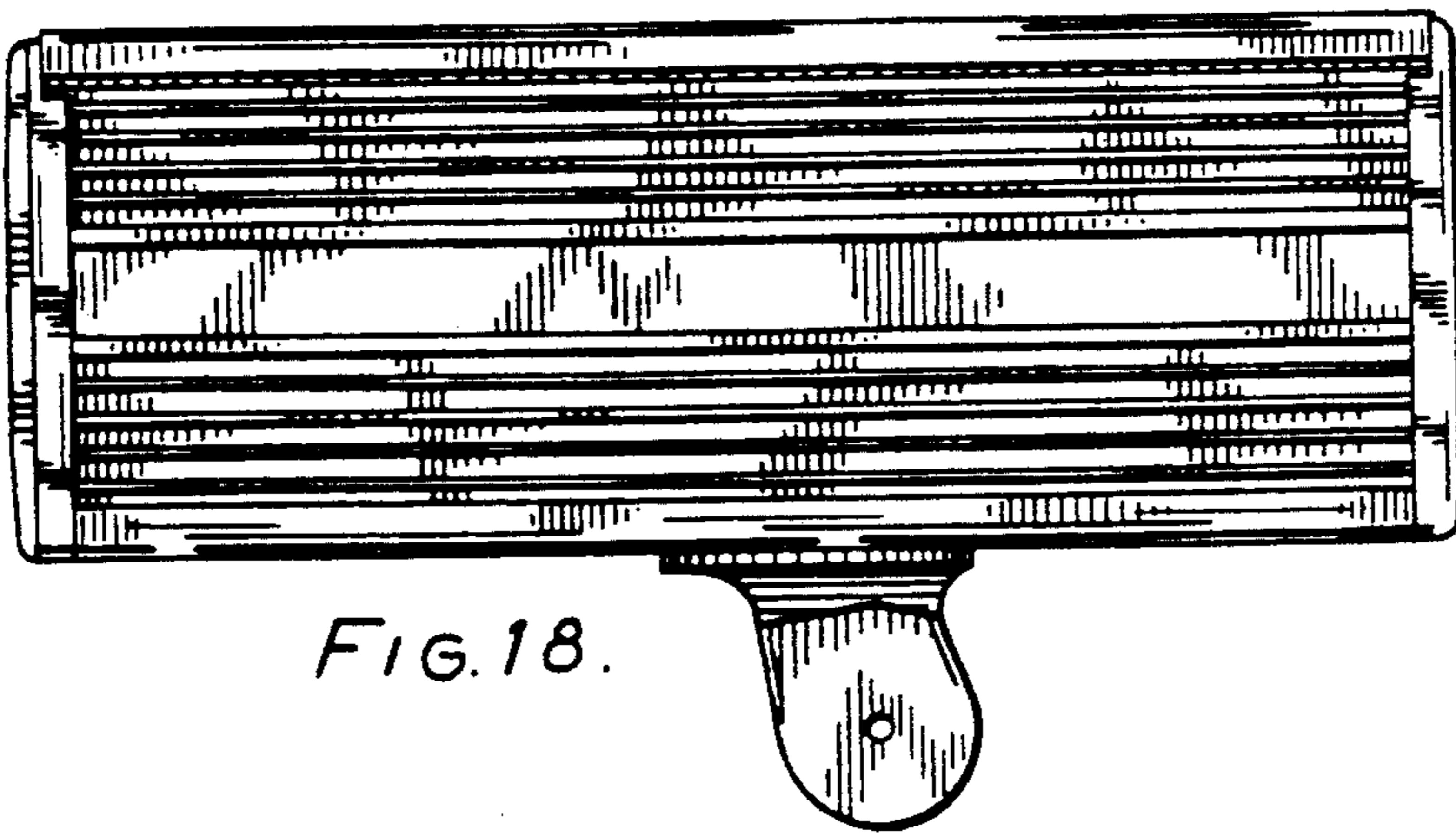


FIG. 18.

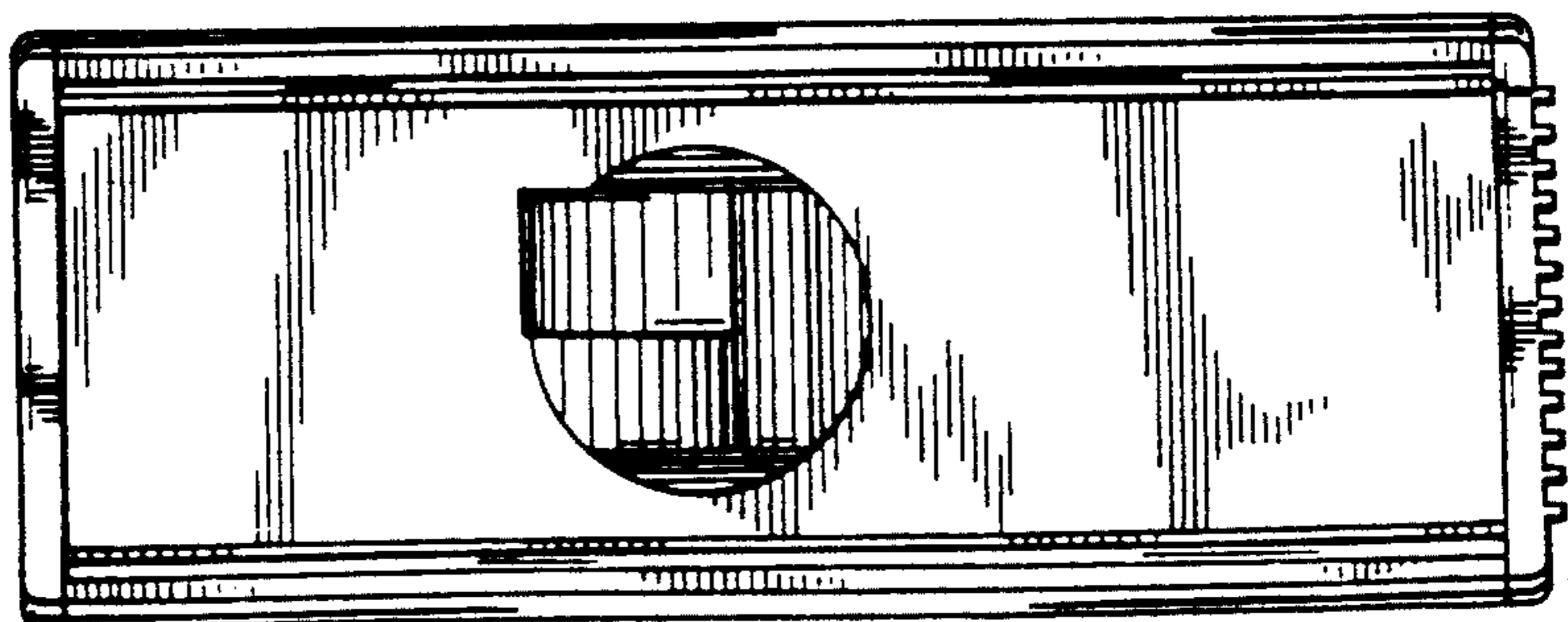


FIG. 19.