



US00D348742S

United States Patent [19]

[11] Patent Number: **Des. 348,742**

Rorke et al.

[45] Date of Patent: **** Jul. 12, 1994**

[54] **DESK LAMP WITH MAGNIFIER LENS**

D. 309,661 7/1990 Shwisha D26/61
D. 339,649 9/1993 Klossner D26/63
4,958,913 9/1990 Schaffer D26/51 X

[75] Inventors: **Brooks Rorke**, Fairfield, Conn.;
Jordan Kahn, Wellesley, Mass.

Primary Examiner—Susan J. Lucas
Attorney, Agent, or Firm—Kriegsman & Kriegsman

[73] Assignee: **Holmes Products Corp.**, Milford, Mass.

[57] **CLAIM**

[**] Term: **14 Years**

The ornamental design for a desk lamp with magnifier lens, as shown and described.

[21] Appl. No.: **3,290**

DESCRIPTION

[22] Filed: **Jan. 6, 1993**

[52] U.S. Cl. **D26/51; D16/135; D26/65**

FIG. 1 is a front, top, right side perspective view of a desk lamp with magnifier lens showing our new design, the support being shown in broken lines for illustrative purposes only;

[58] **Field of Search** 362/253, 269, 285, 287, 362/410, 413, 414, 418, 419, 427; 359/798, 799, 800, 802, 809; D26/60-66, 51; D16/135

FIG. 2 is a front elevational view thereof;

FIG. 3 is a rear elevational view thereof;

[56] **References Cited**

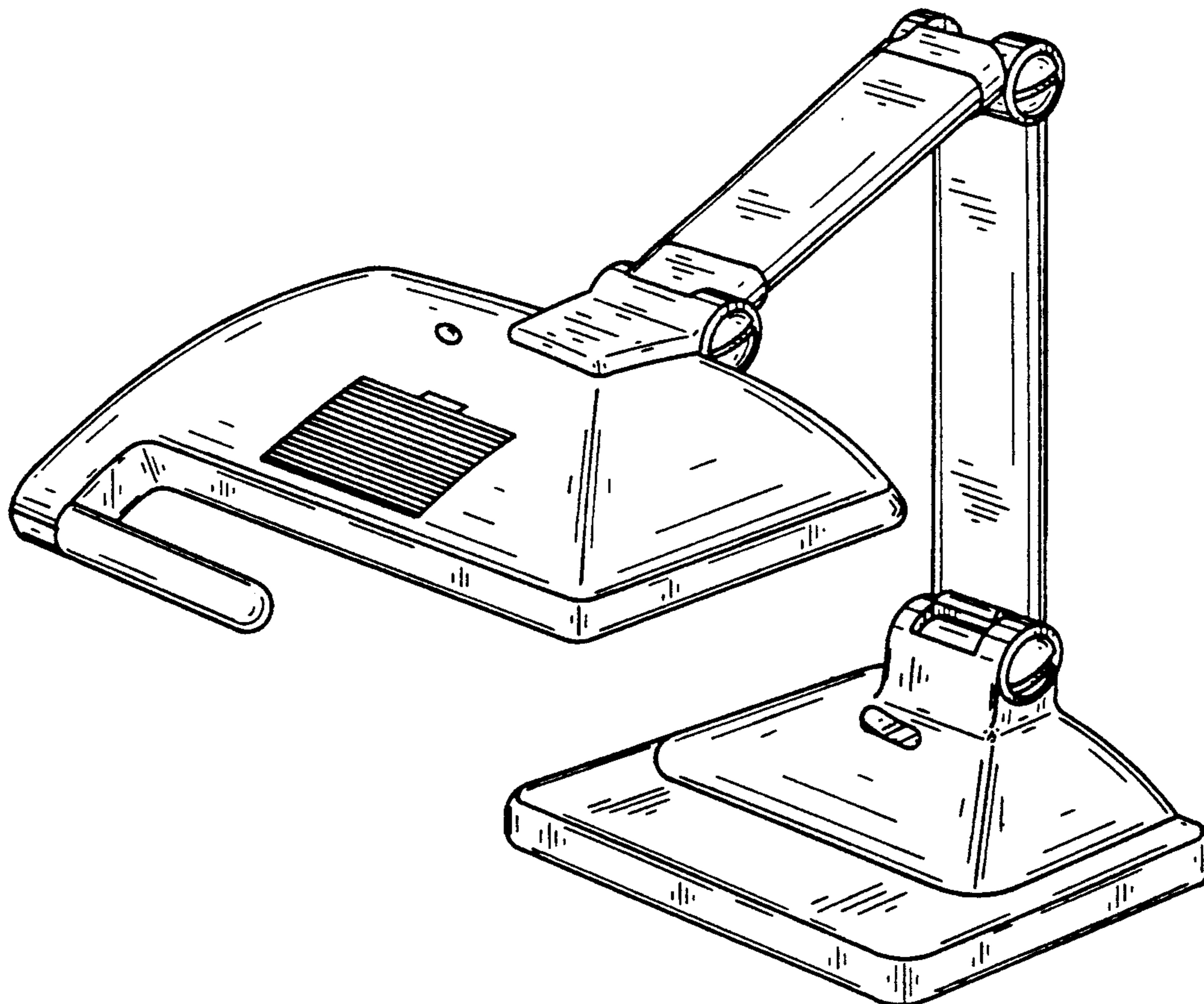
U.S. PATENT DOCUMENTS

D. 176,550 1/1956 Mugnai D26/63
D. 286,082 10/1986 Shwisha D26/61

FIG. 4 is a right side elevational view thereof; the left side being a mirror image of that shown;

FIG. 5 is a top plan view thereof; and,

FIG. 6 is a bottom plan view thereof.



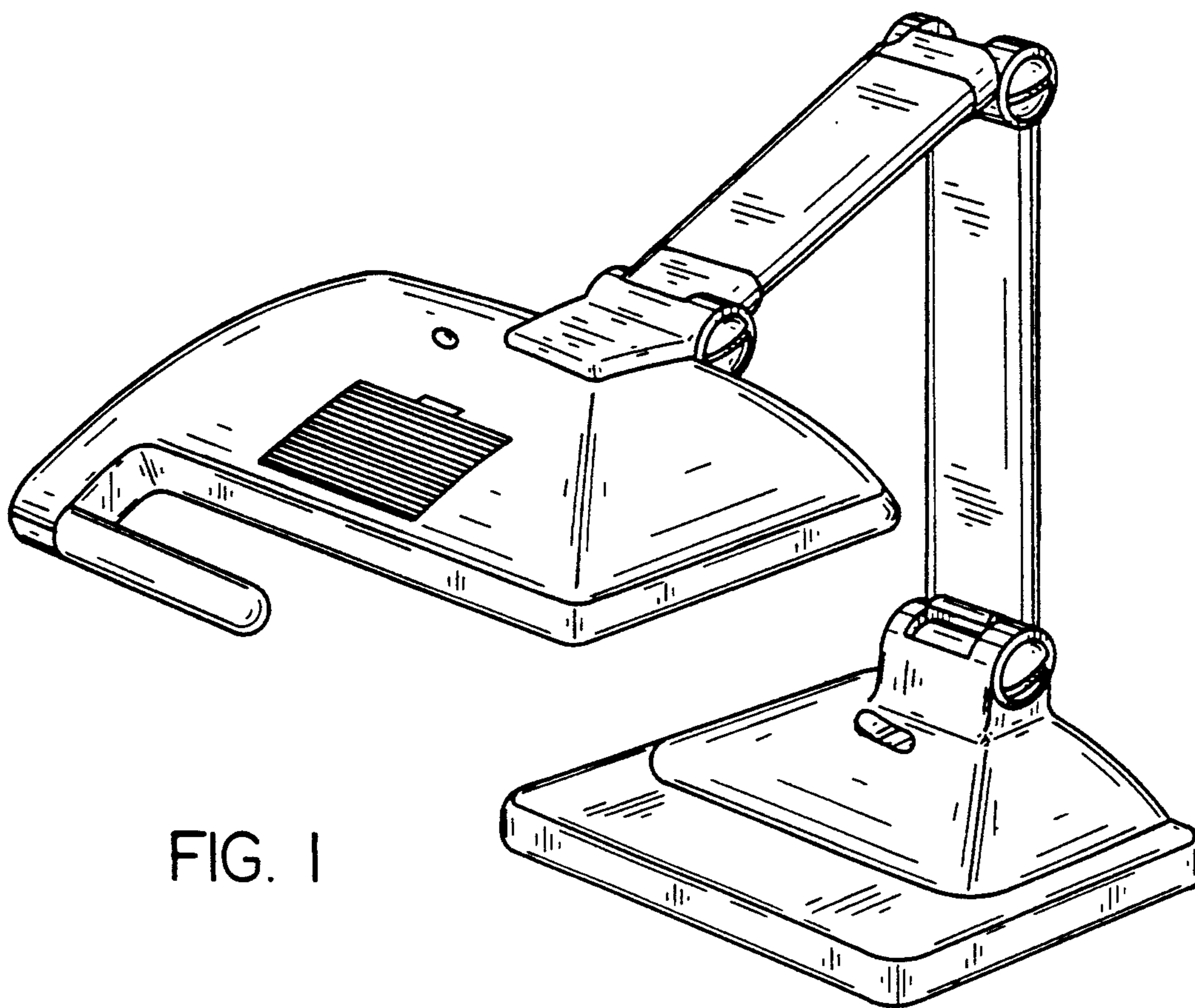


FIG. 1

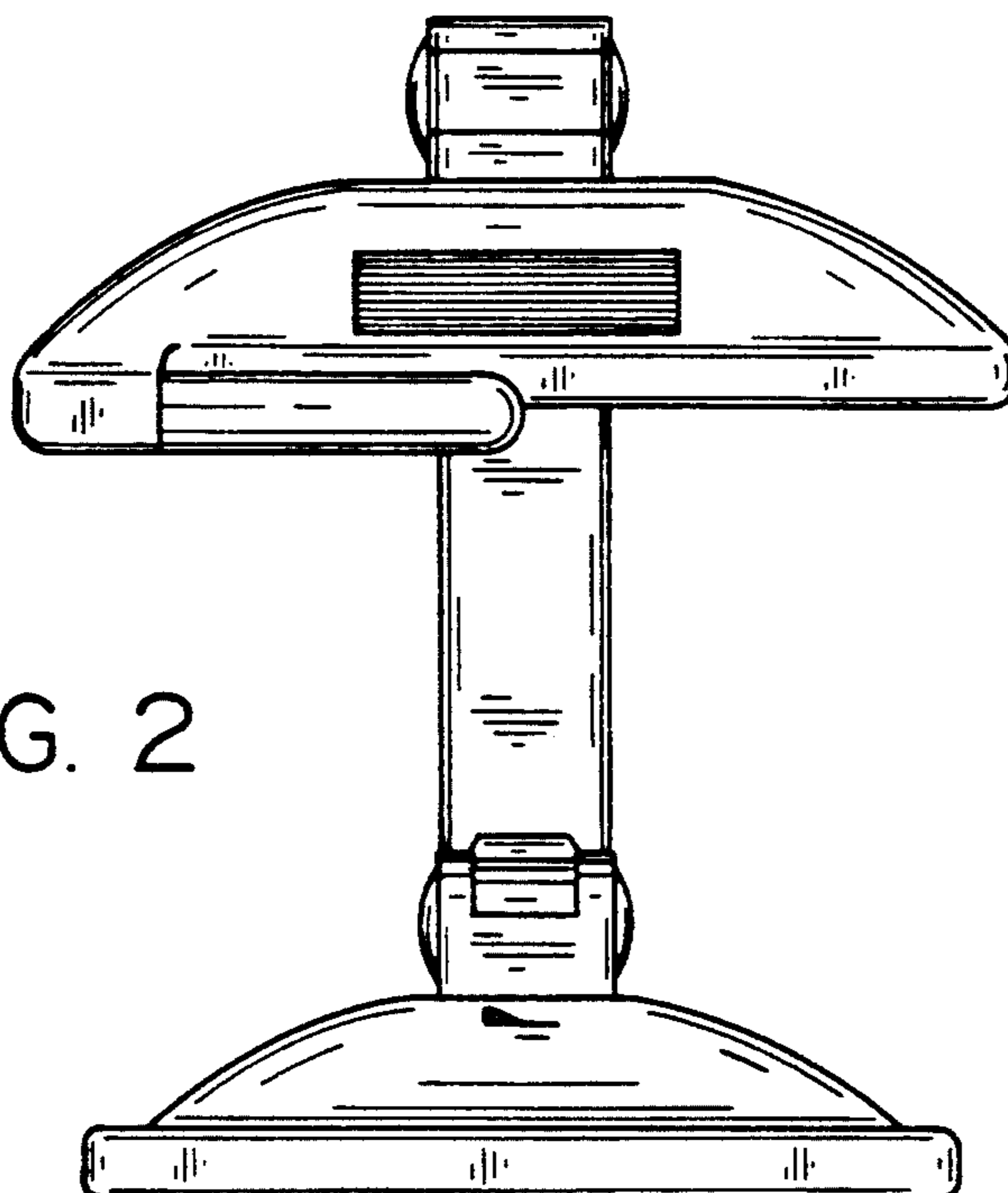


FIG. 2

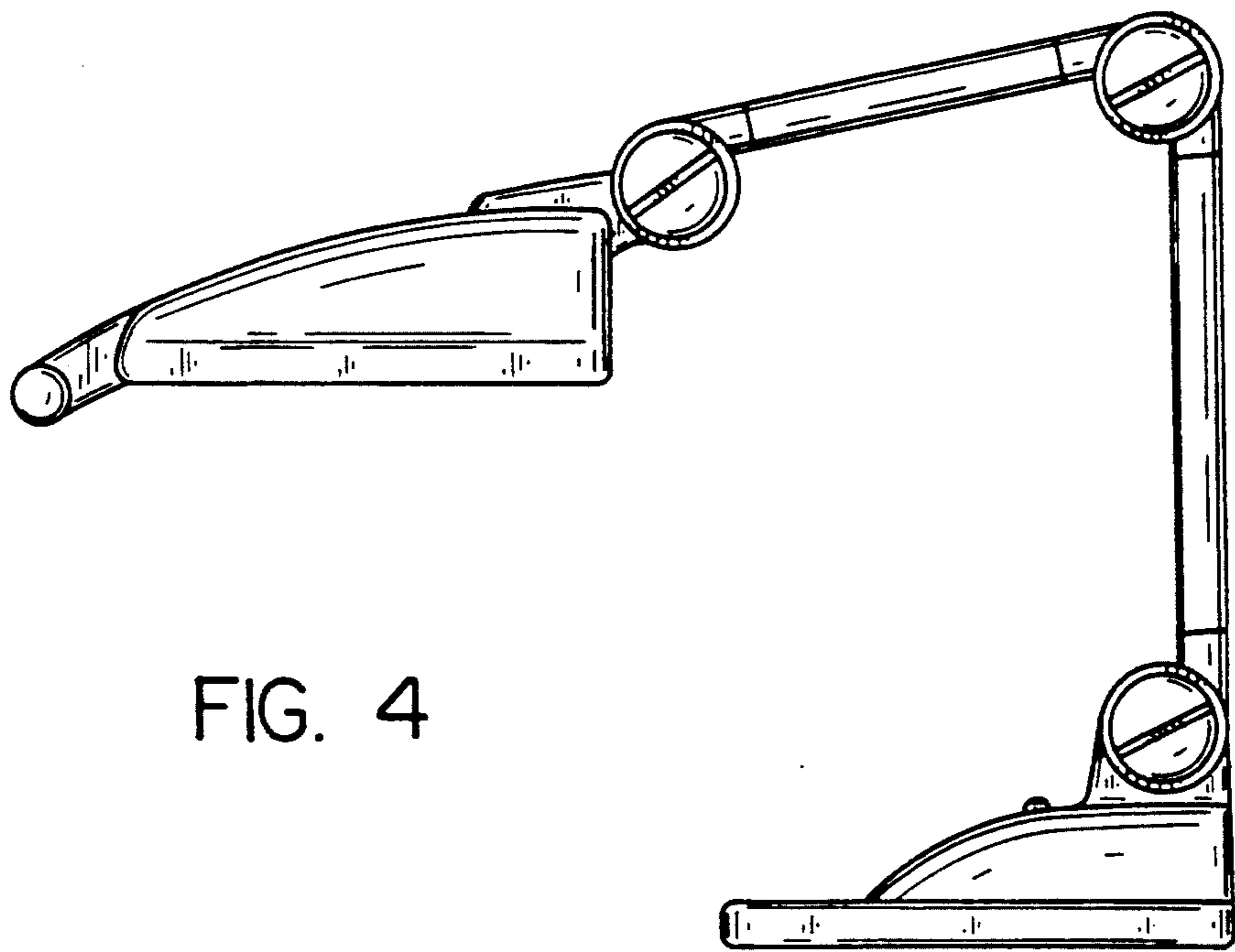
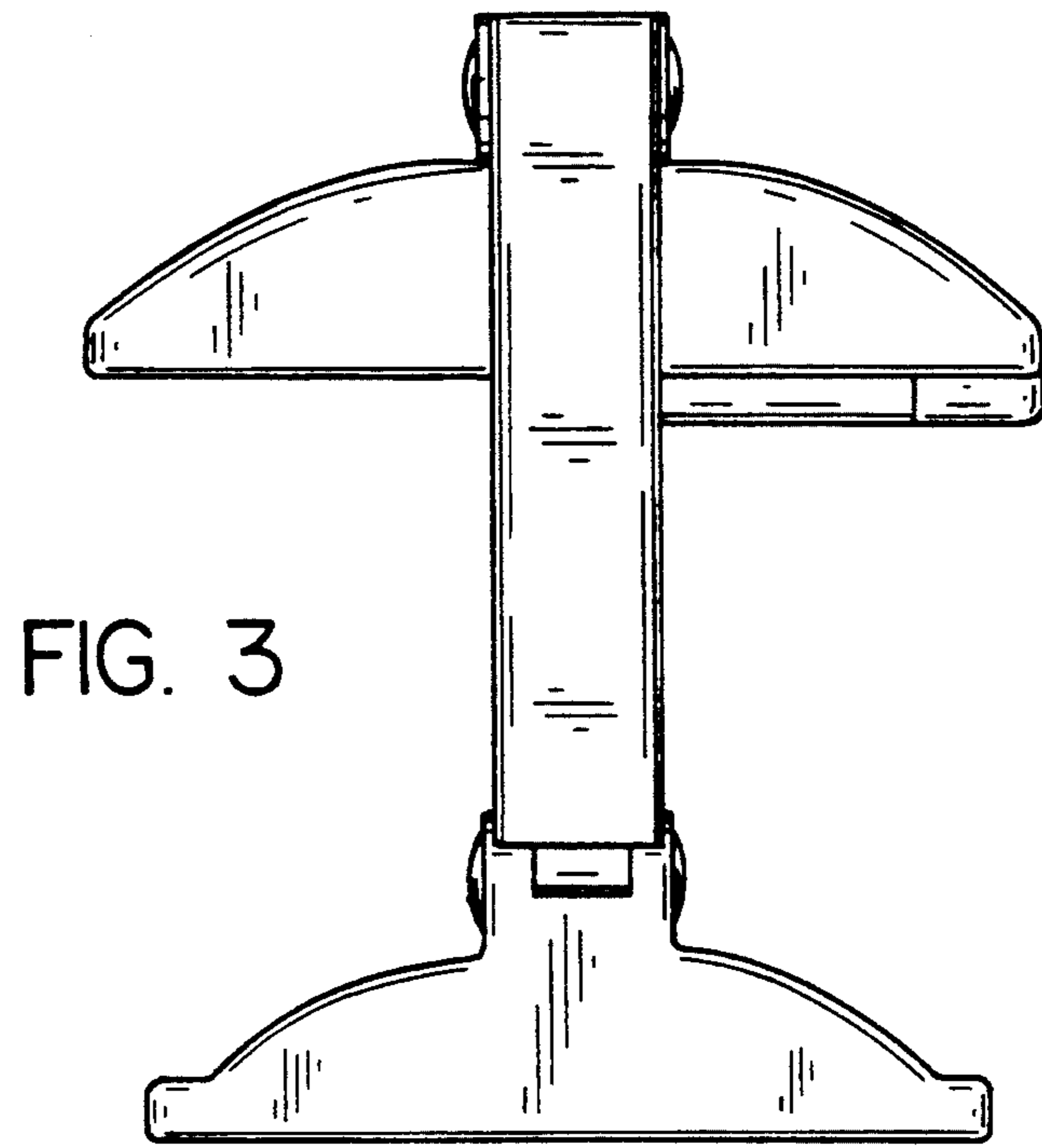


FIG. 5

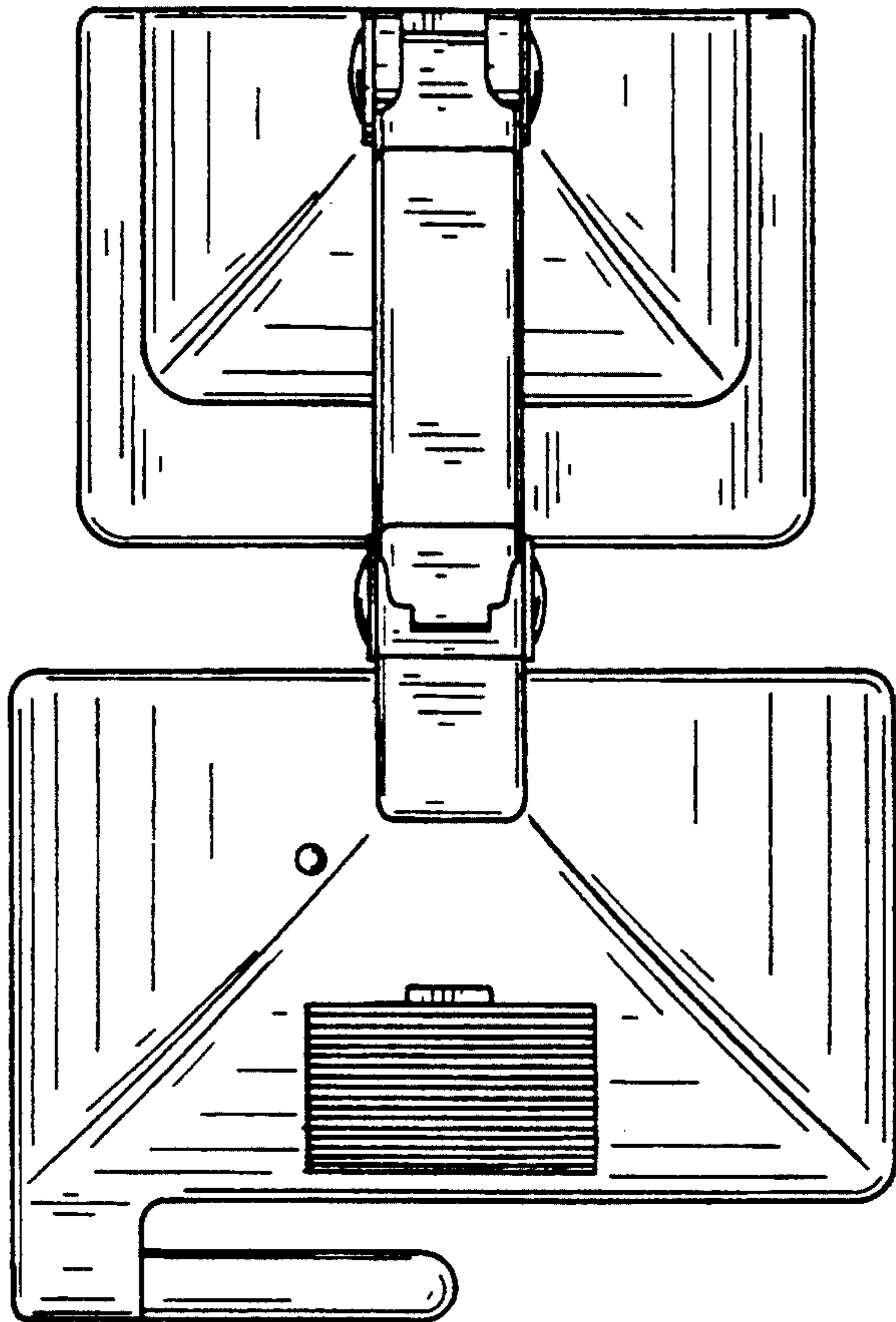


FIG. 6

