



US00D348738S

United States Patent [19]

[11] Patent Number: **Des. 348,738**

Jasinsky

[45] Date of Patent: **** Jul. 12, 1994**

[54] **POST BASE FOOTING**

[76] Inventor: **Michael J. Jasinsky**, 16440 Cranes Mill Rd. #1, Canyon Lake, Tex. 78133

[**] Term: **14 Years**

[21] Appl. No.: **1,173**

[22] Filed: **Nov. 4, 1992**

[52] U.S. Cl. **D25/133**

[58] Field of Search 52/301, 295, 296; 248/519, 346, 188.8, 218.4; 404/43; D25/126-127, 133

[56] **References Cited**

U.S. PATENT DOCUMENTS

D. 273,712 5/1984 Ahlgrist D25/133
3,282,001 11/1966 Bigalow 52/301

3,630,474 12/1971 Mindor D25/133
4,070,837 1/1978 Sato 52/301
4,995,206 2/1991 Colonias et al. 52/301

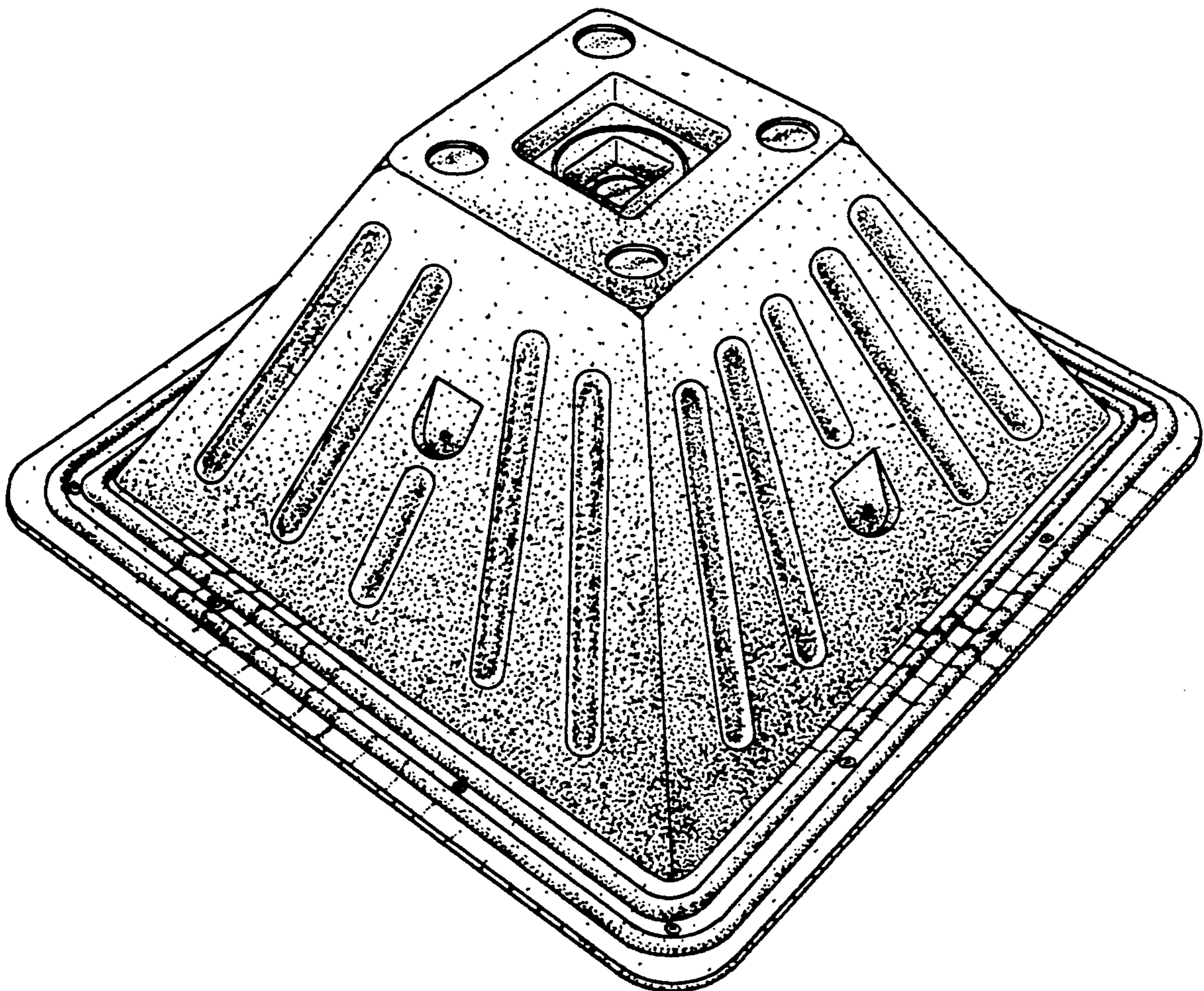
Primary Examiner—A. Hugo Word
Assistant Examiner—Doris Clark
Attorney, Agent, or Firm—Cox & Smith

[57] **CLAIM**

The ornamental design for a post base footing, as shown and described.

DESCRIPTION

FIG. 1 is a perspective view showing my new design; FIG. 2 is a top view thereof; FIG. 3 is a bottom view thereof; FIG. 4 is a front view thereof; FIG. 5 is a rear view thereof; FIG. 6 is a right side view thereof; and, FIG. 7 is a left side view thereof.



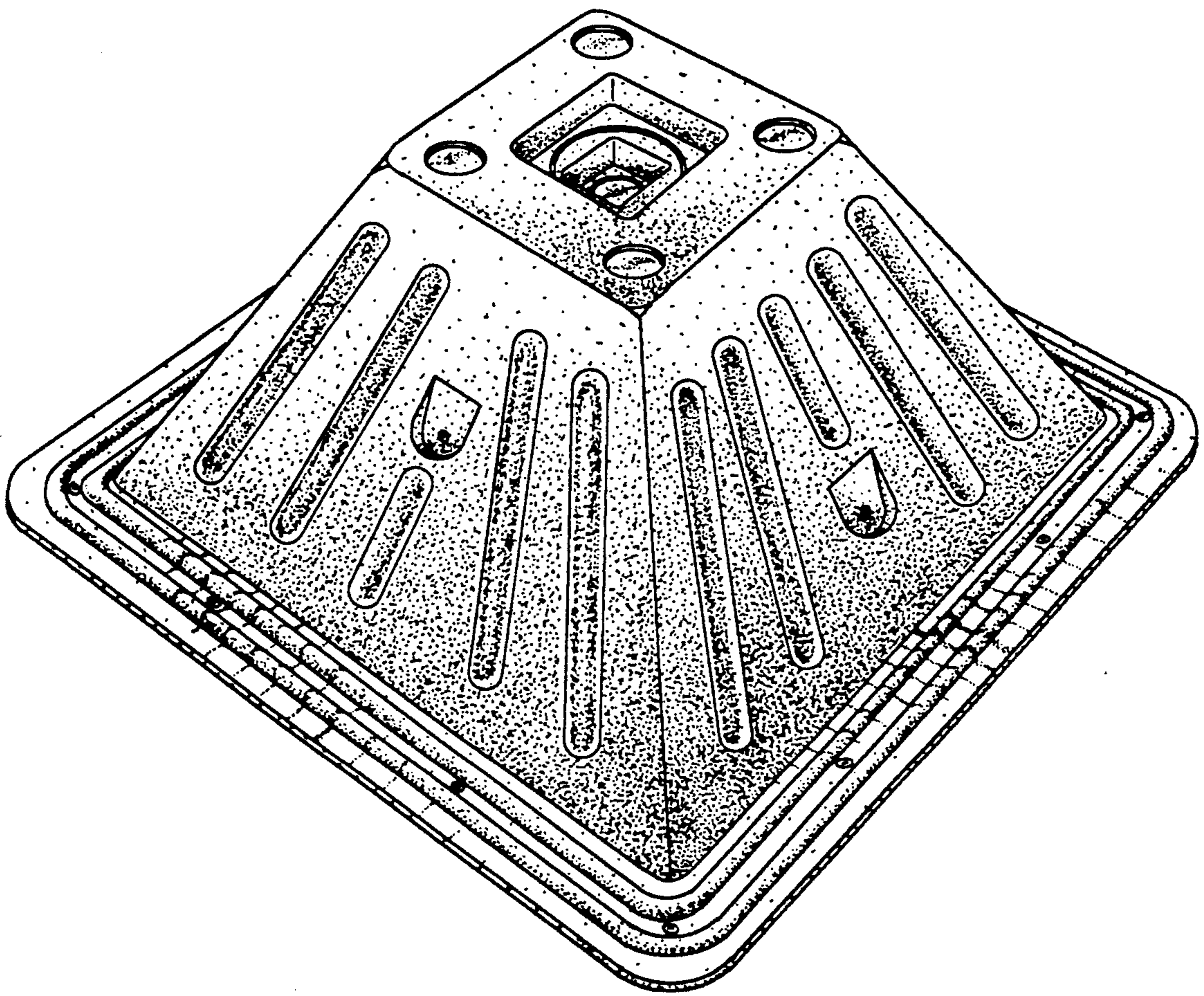


Fig. 1

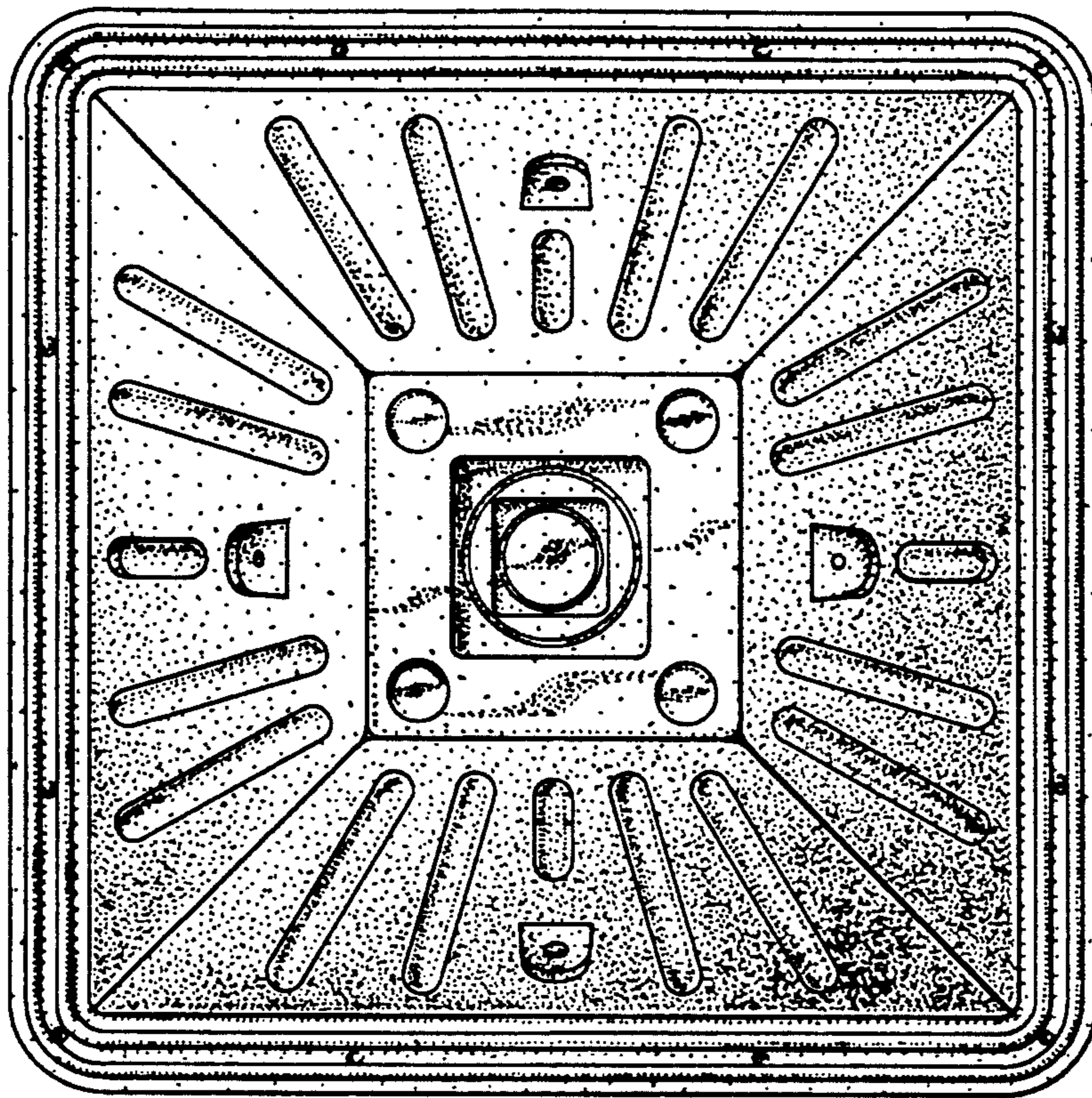


Fig. 2

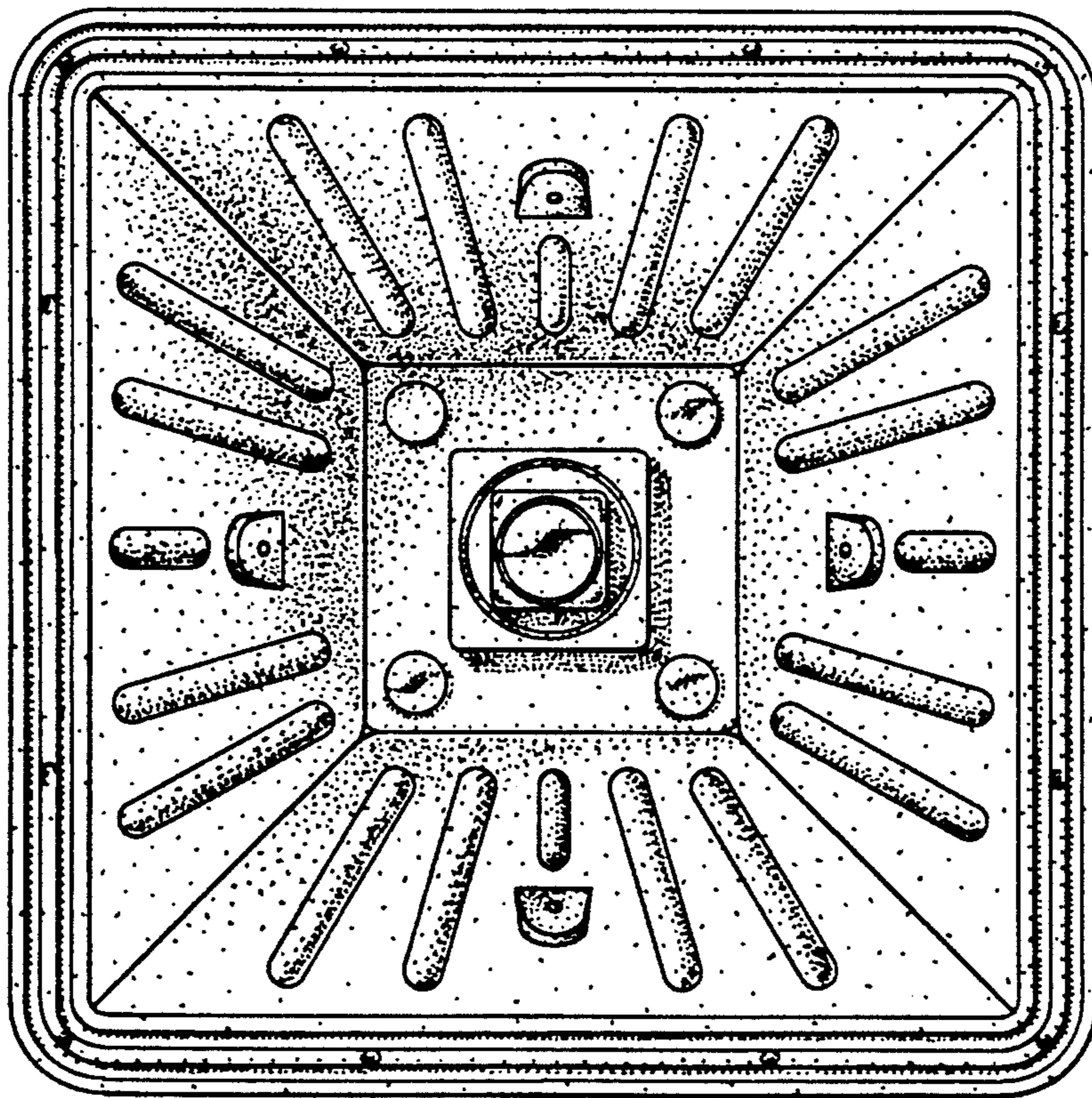


Fig. 3

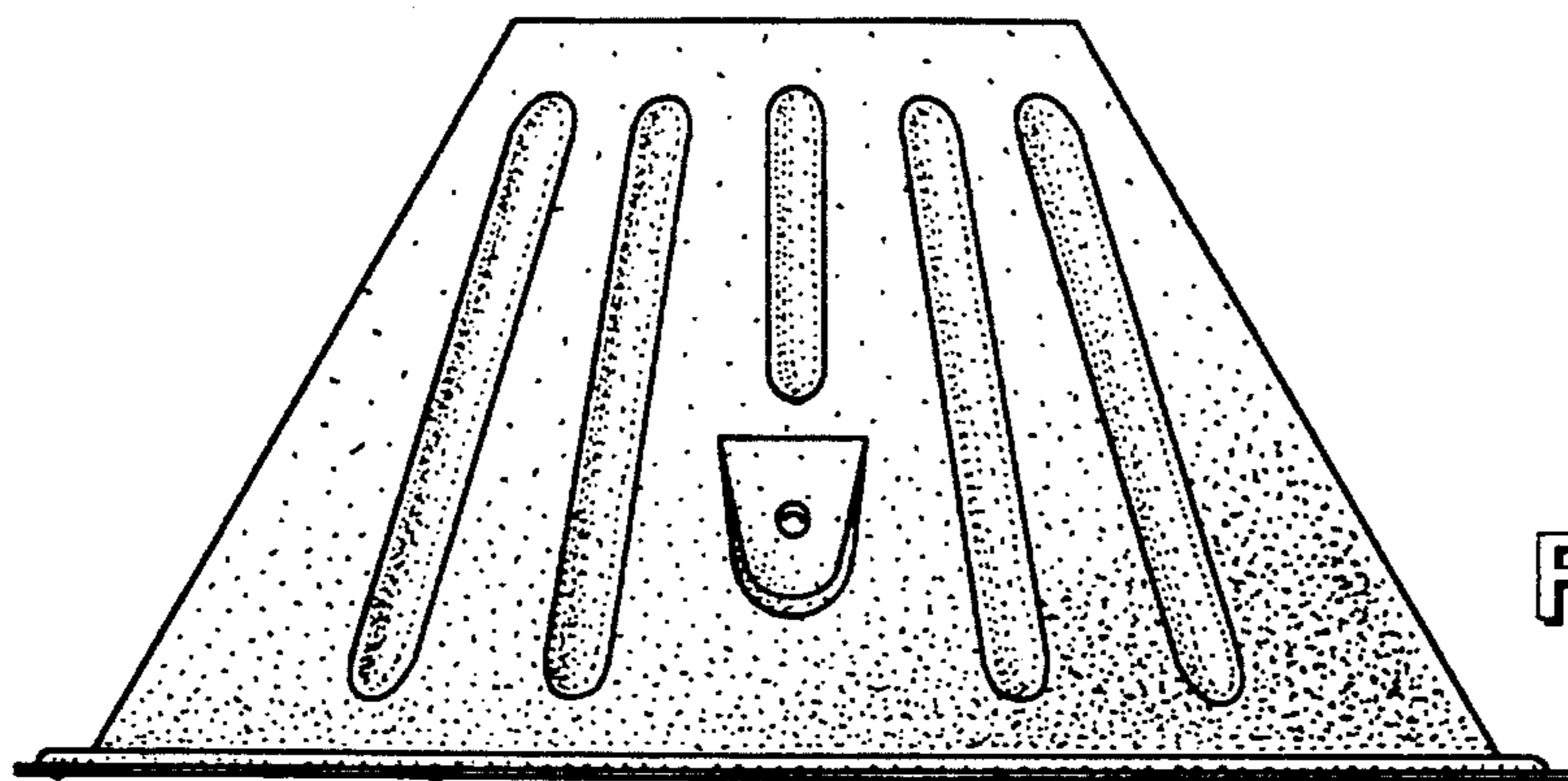


Fig. 4

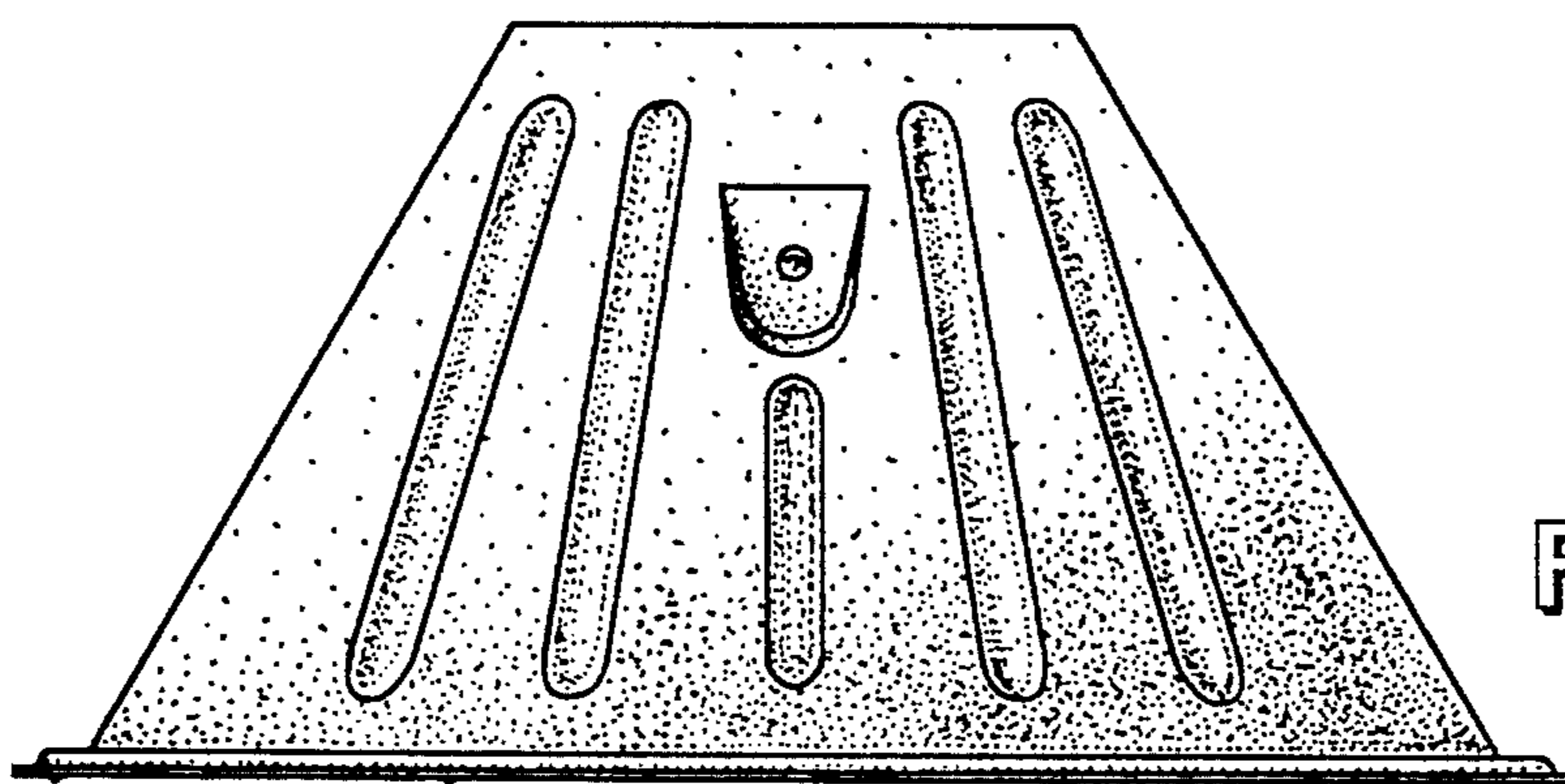


Fig. 5

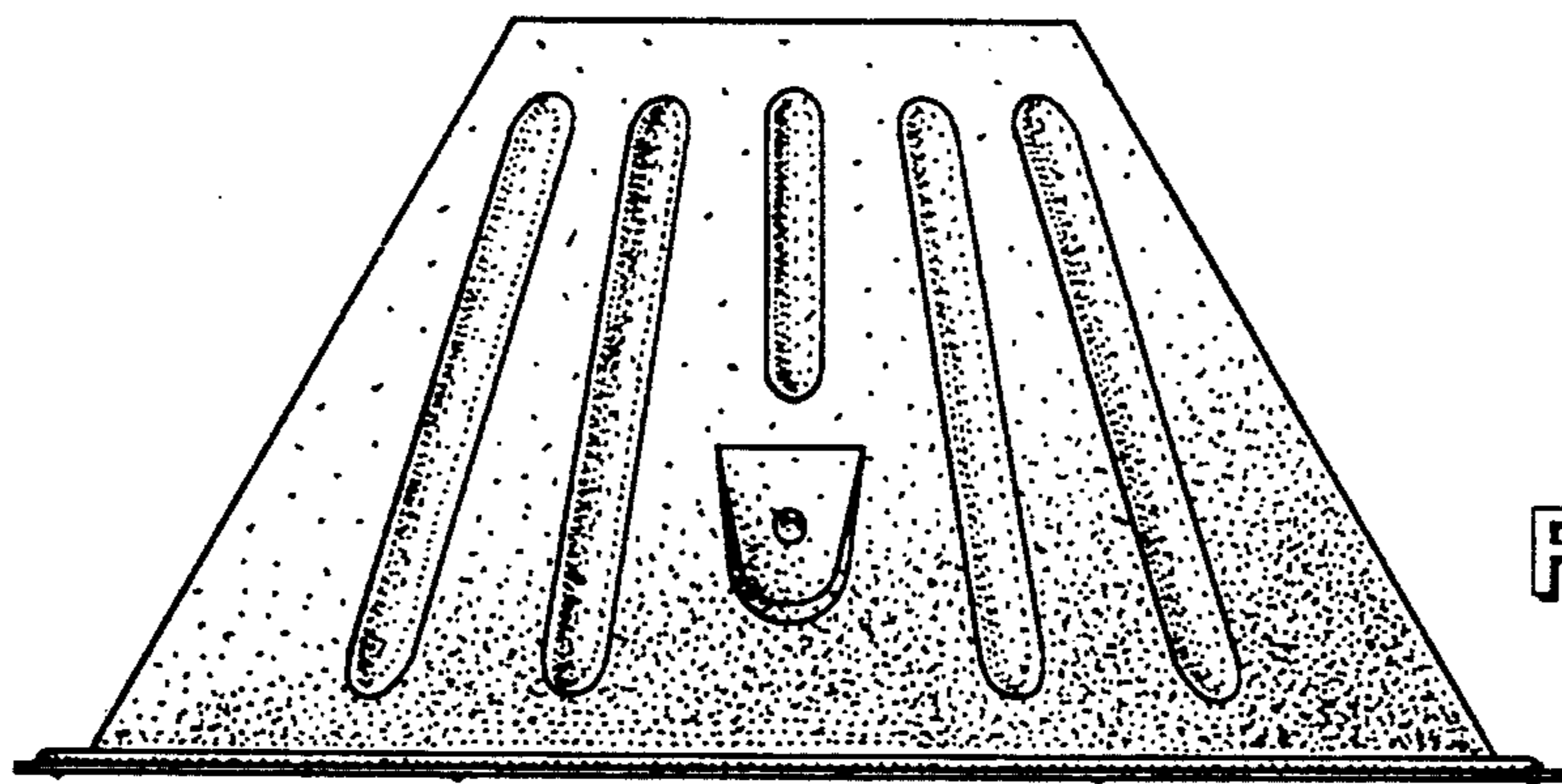


Fig. 6

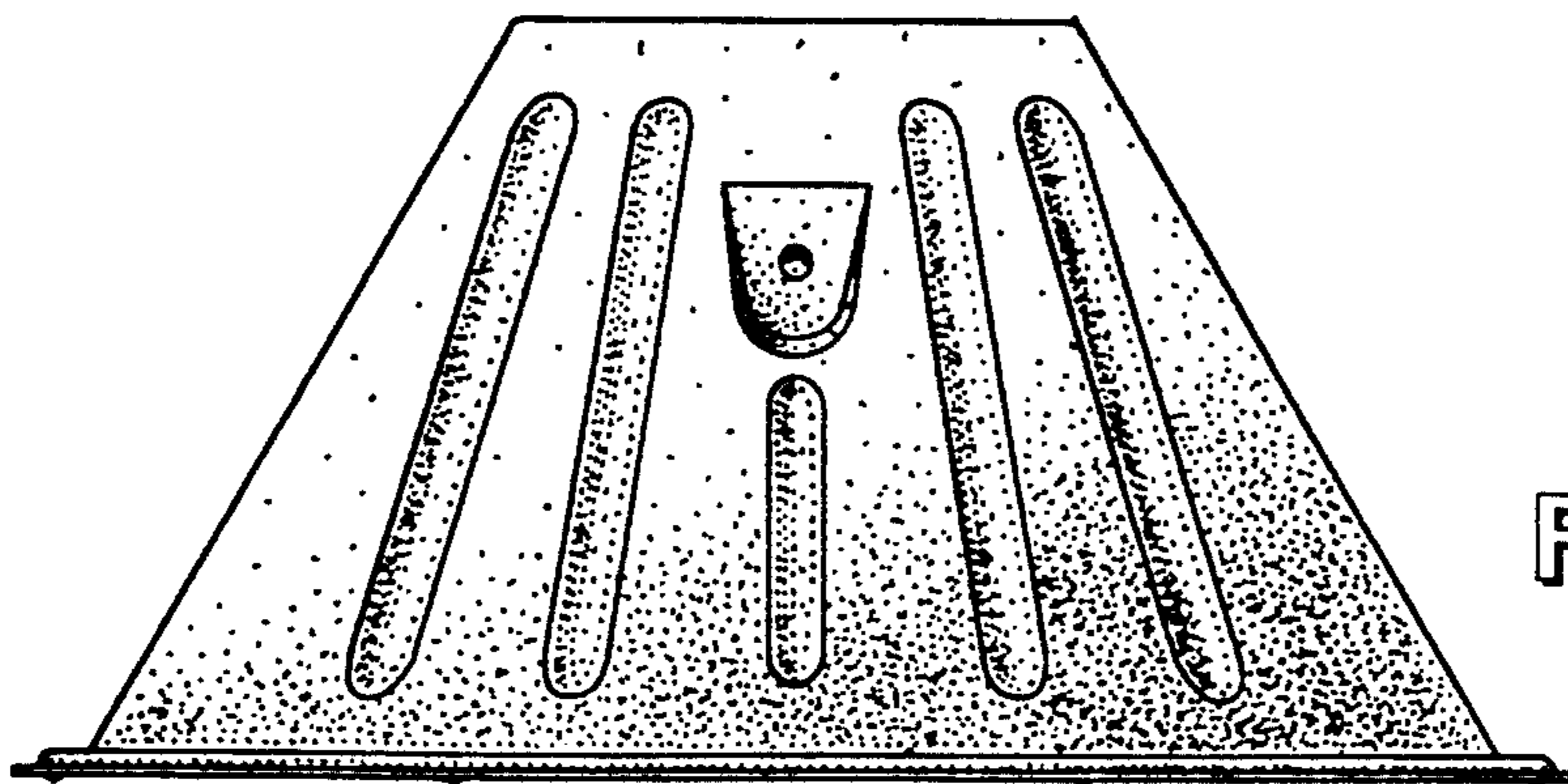


Fig. 7