



US00D348734S

United States Patent [19]

[11] Patent Number: **Des. 348,734**

Arp

[45] Date of Patent: **** Jul. 12, 1994**

[54] **BLOOD SAMPLE CUVETTE**

4,444,498 4/1984 Heinemann 356/246
4,786,474 11/1988 Cooper 422/68

[76] Inventor: **Leon J. Arp**, 1107 Highland Cir.,
Blacksburg, Va. 24060

Primary Examiner—A. Hugo Word

Assistant Examiner—I. Simmons

[**] Term: **14 Years**

[57] **CLAIM**

[21] Appl. No.: **915,360**

The ornamental design for a blood sample cuvette, as shown and described.

[22] Filed: **Jul. 20, 1992**

[52] U.S. Cl. **D24/224; D24/129**

[58] Field of Search 422/64, 65, 66, 67,
422/91, 99, 102; 356/37, 40, 41, 410, 411, 246,
164; D24/216, 223, 224

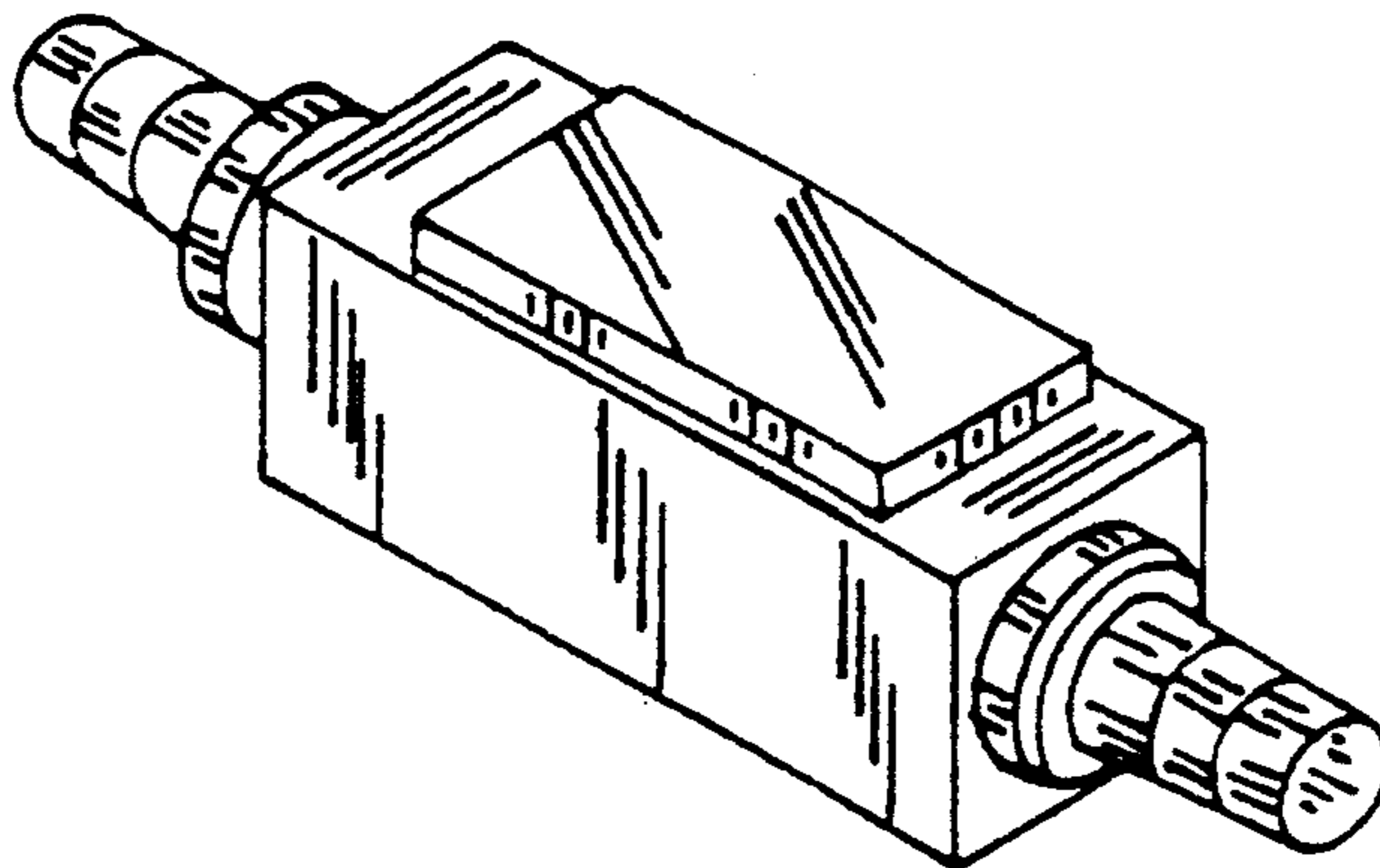
DESCRIPTION

[56] **References Cited**

U.S. PATENT DOCUMENTS

D. 237,631	11/1975	Katzman	D24/129
D. 300,361	3/1989	Tokarz	D24/129
D. 302,299	7/1989	Long et al.	D24/224
D. 337,829	7/1993	Kerns	D24/224
D. 338,071	8/1993	Kerns et al.	D24/224

FIG. 1 is a front top right perspective view of a blood sample cuvette showing my new design;
FIG. 2 is a top plan view thereof;
FIG. 3 is a side elevational view thereof;
FIG. 4 is a right end elevational view thereof;
FIG. 5 is a left end elevational view thereof;
FIG. 6 is a bottom plan view thereof; and,
FIG. 7 is a front top right perspective view thereof, with the viewing window shown broken away for convenience of illustration.



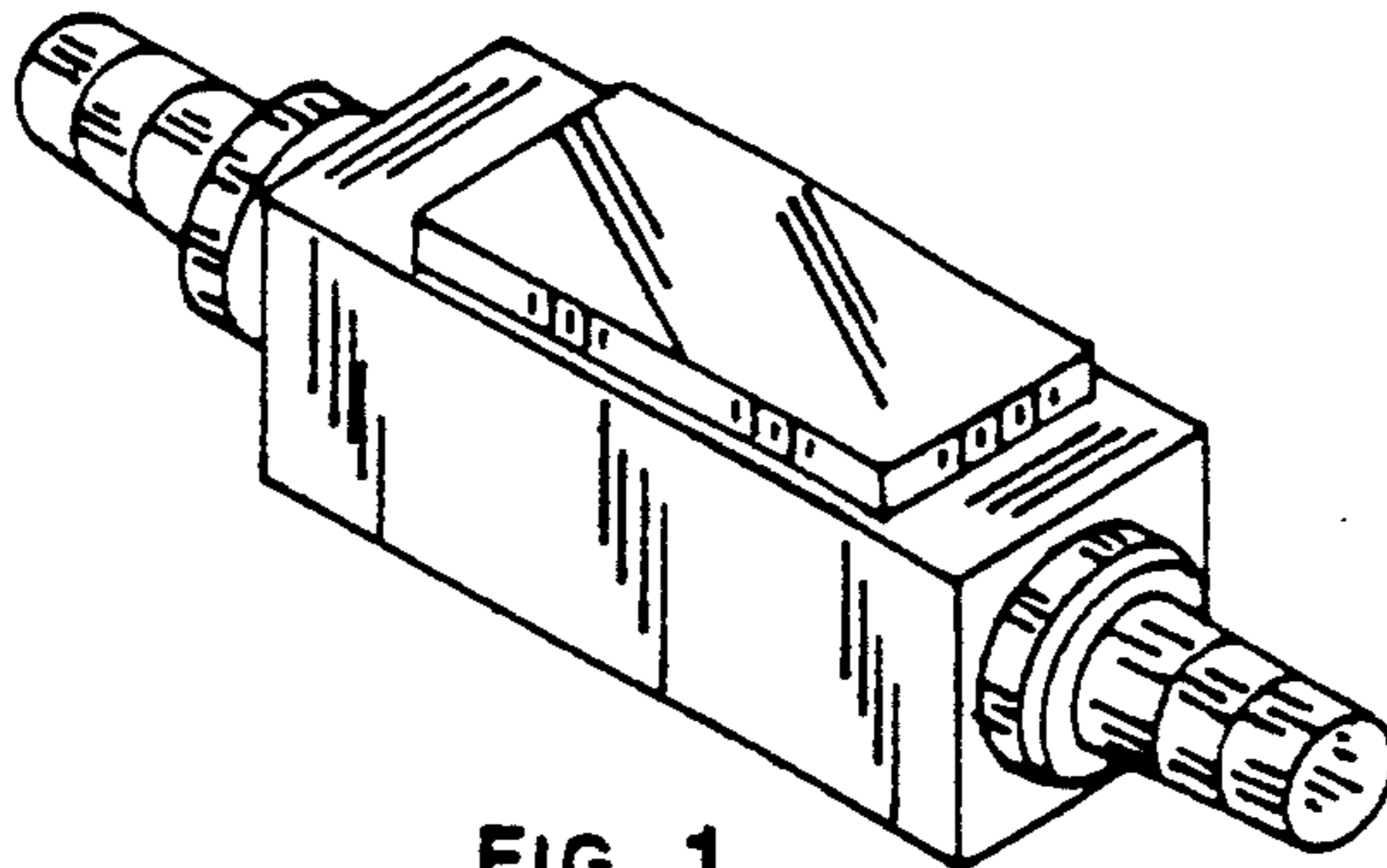


FIG. 1.



FIG. 2.

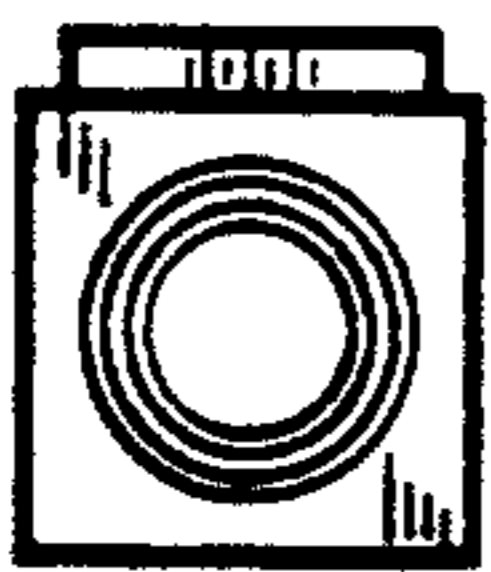


FIG. 5

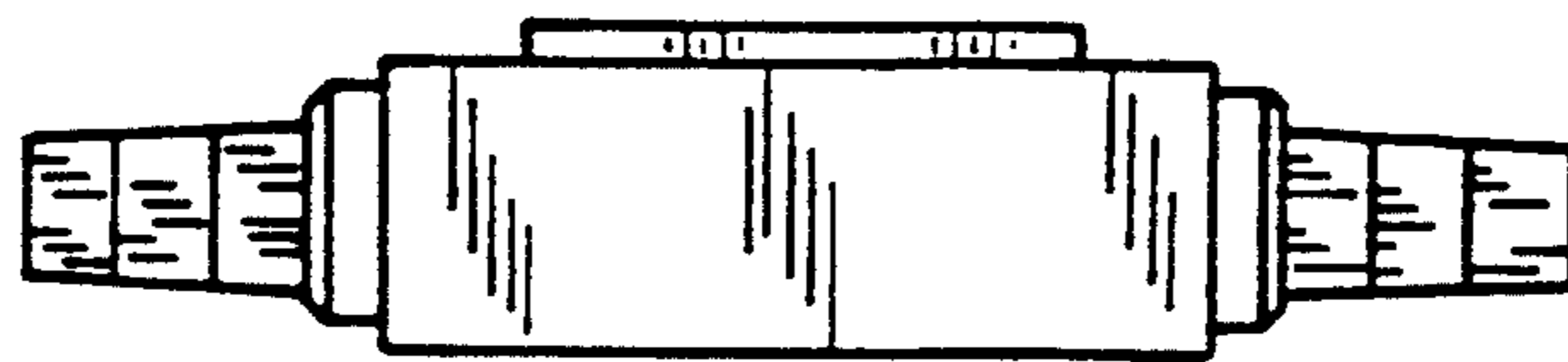


FIG. 3.

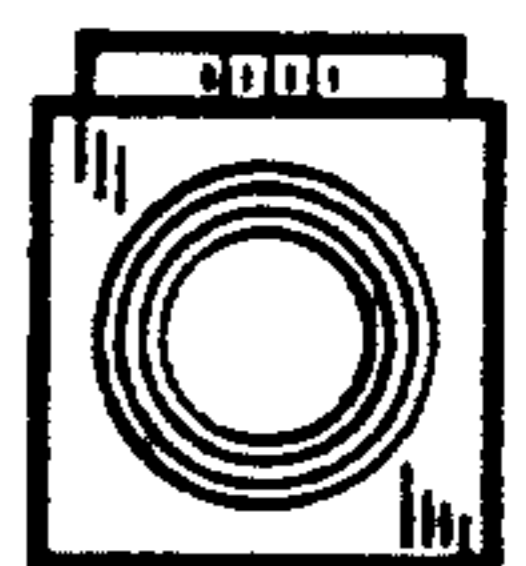


FIG. 4.



FIG. 6

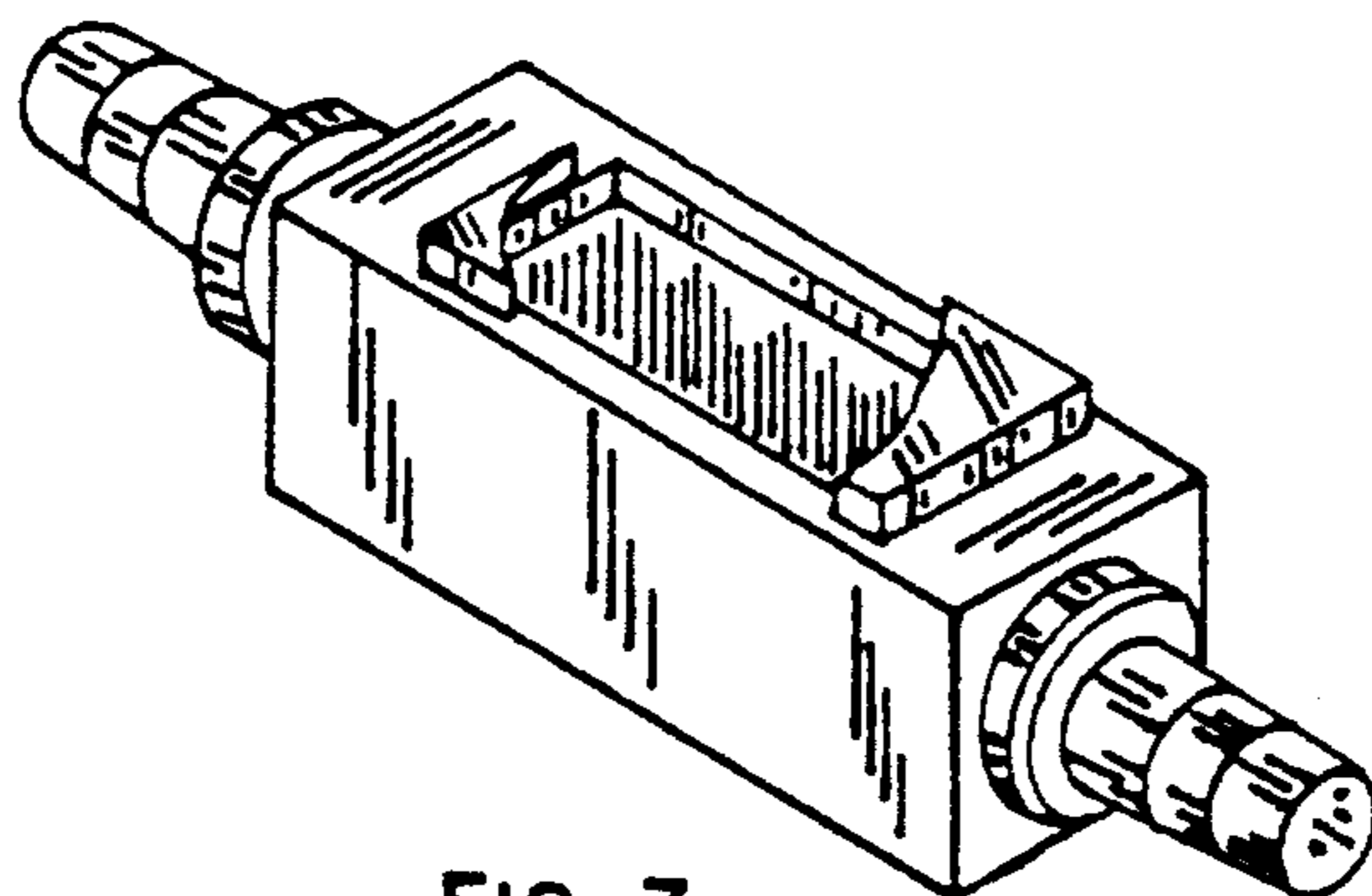


FIG. 7