



US00D348733S

United States Patent [19]

[11] Patent Number: **Des. 348,733**

Truelove

[45] Date of Patent: **** Jul. 12, 1994**

[54] **PEDIATRIC VEST FOR REDUCING BODY TEMPERATURE**

5,146,625 9/1992 Steele et al. 607/108 X

[76] Inventor: **Sheila M. Truelove, P.O. Box 227, Loogootee, Ind. 47553**

*Primary Examiner—Stella Reid
Attorney, Agent, or Firm—Terry M. Gernstein*

[**] Term: **14 Years**

[57] **CLAIM**

[21] Appl. No.: **3,528**

The ornamental design for a pediatric vest for reducing body temperature, as shown and described.

[22] Filed: **Jan. 14, 1993**

DESCRIPTION

[52] U.S. Cl. **D24/206**

FIG. 1 is a front, top and side perspective view of the pediatric vest for reducing body temperature showing my new design;

[58] Field of Search 607/108, 96; D24/206, D24/200, 189, 188

FIG. 2 is a side elevational view thereof;

FIG. 3 is a side elevational view thereof;

FIG. 4 is a rear elevational view thereof;

FIG. 5 is a front elevational view thereof;

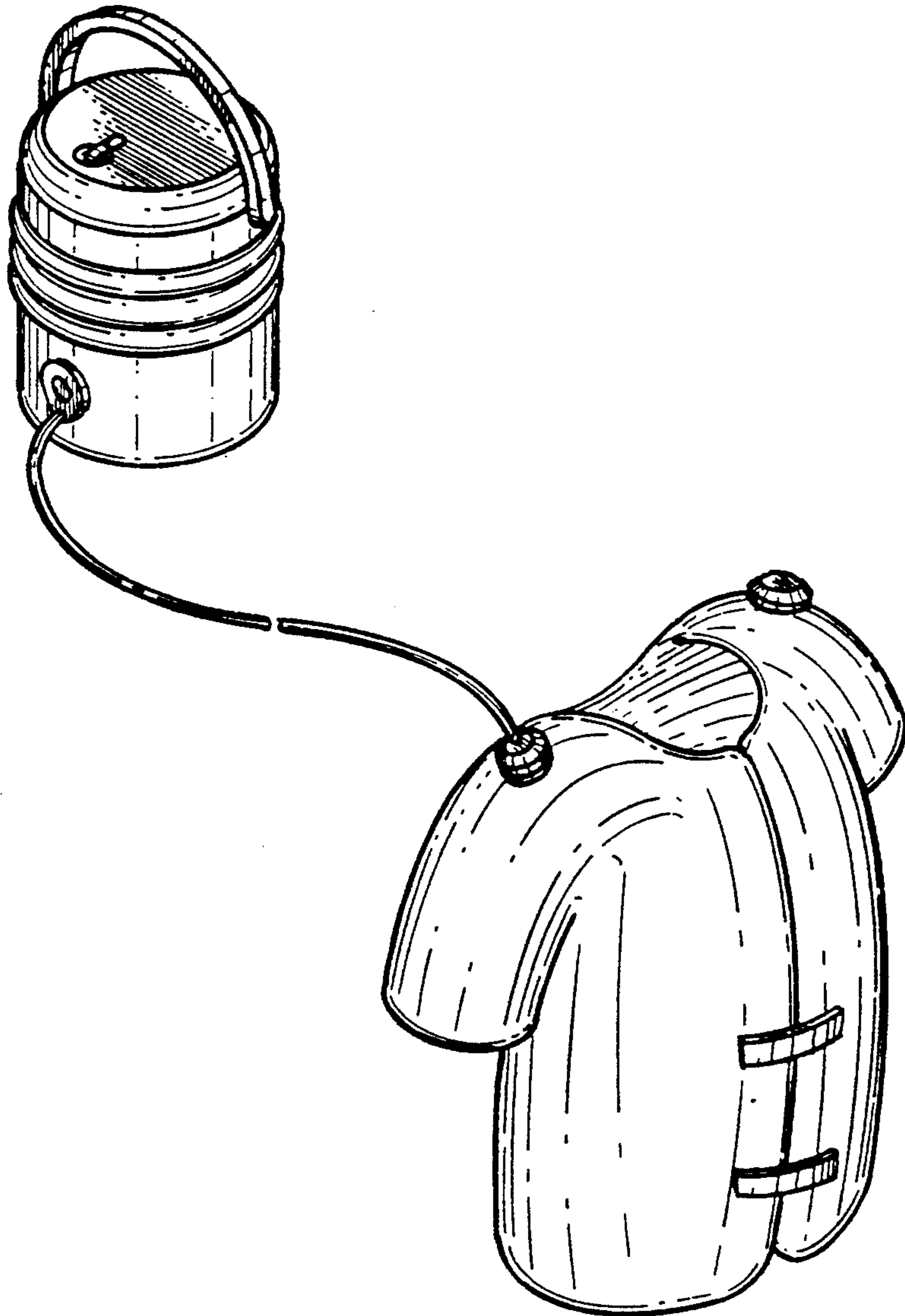
FIG. 6 is a top plan view thereof; and,

FIG. 7 is a bottom plan view thereof.

[56] **References Cited**

U.S. PATENT DOCUMENTS

- 3,854,156 12/1974 Williams 607/96 X
- 4,691,762 9/1987 Elkins et al. 607/108 X
- 4,738,119 4/1988 Zafred 607/108 X



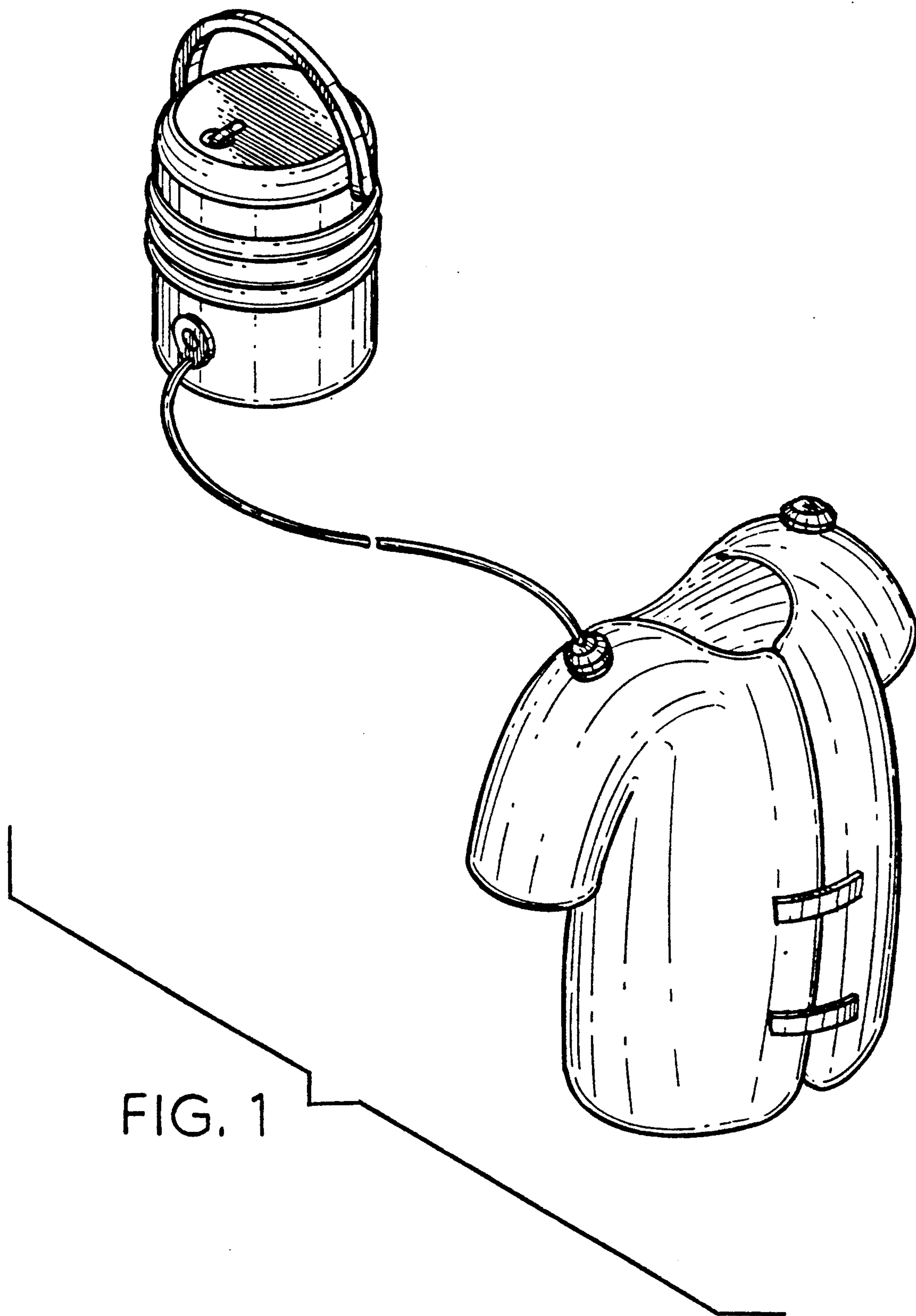


FIG. 1

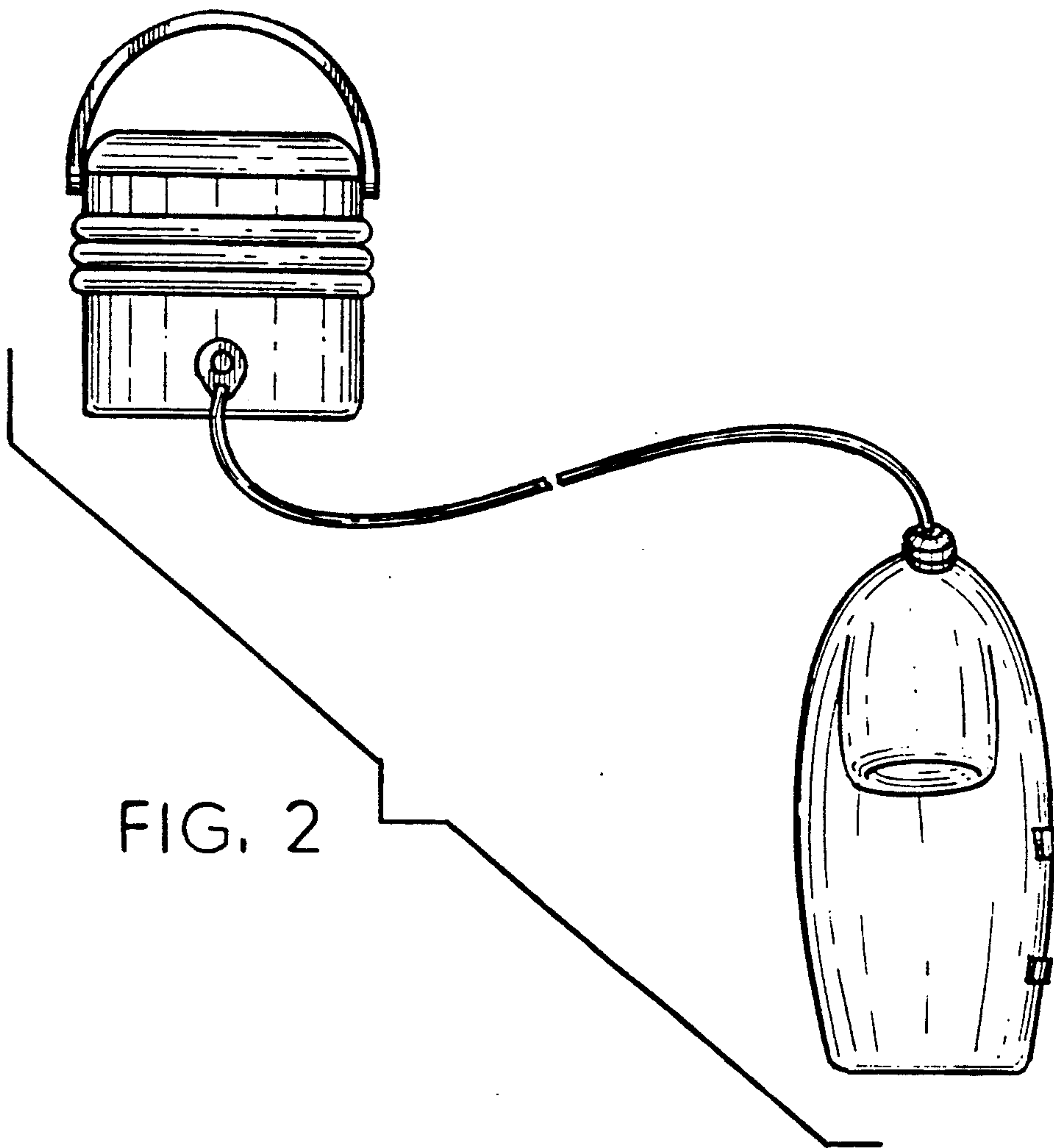
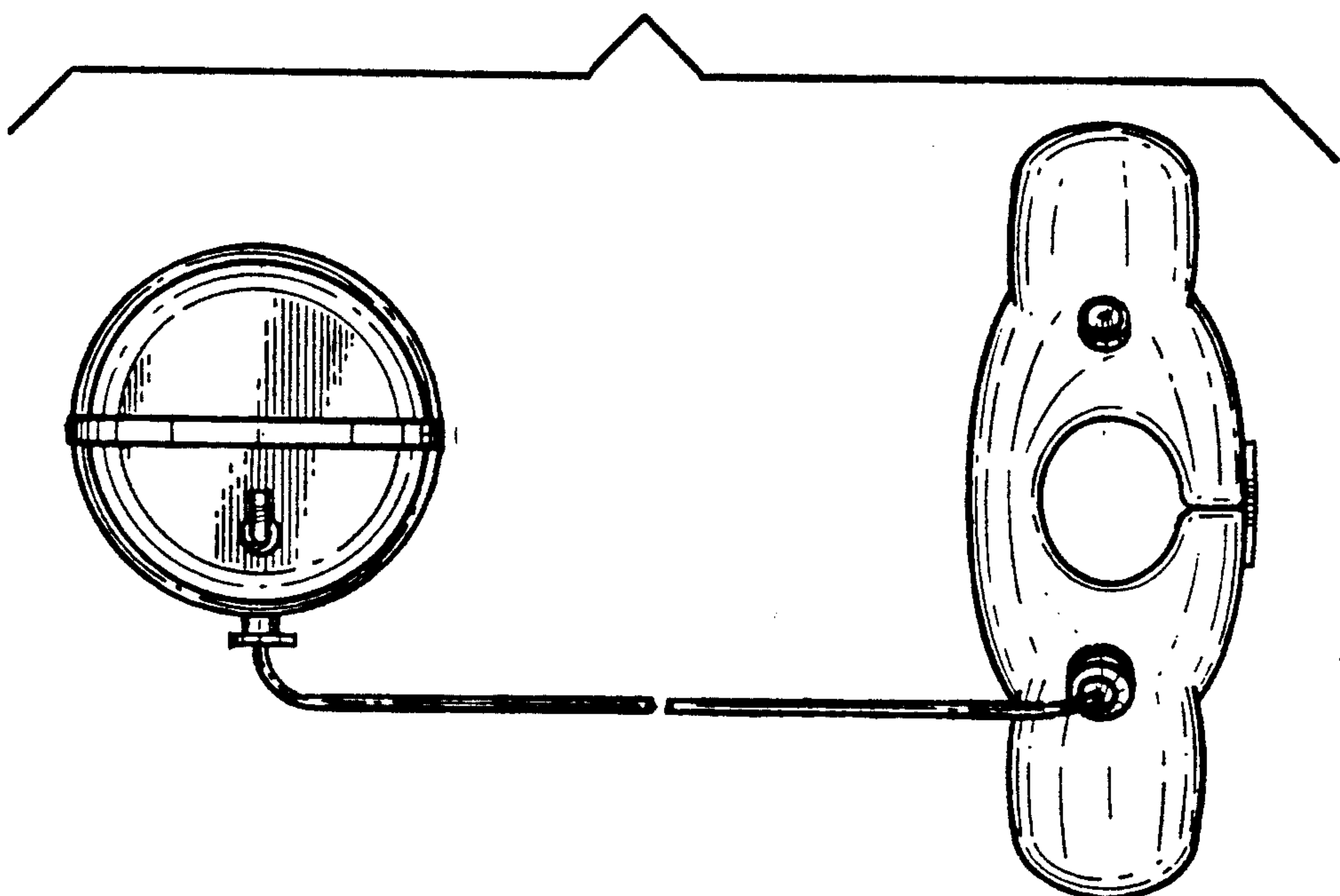


FIG. 2

FIG. 6



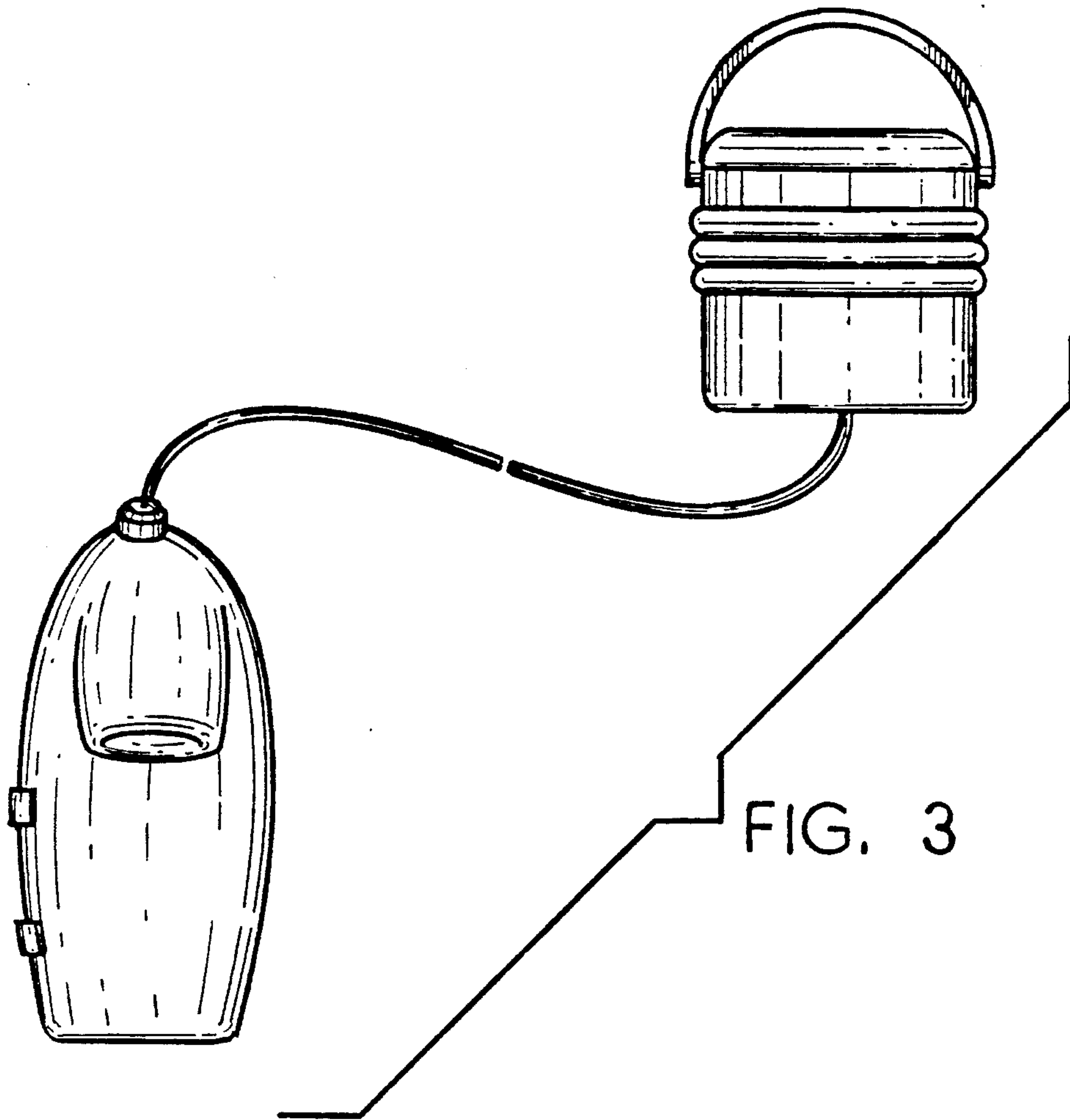


FIG. 7

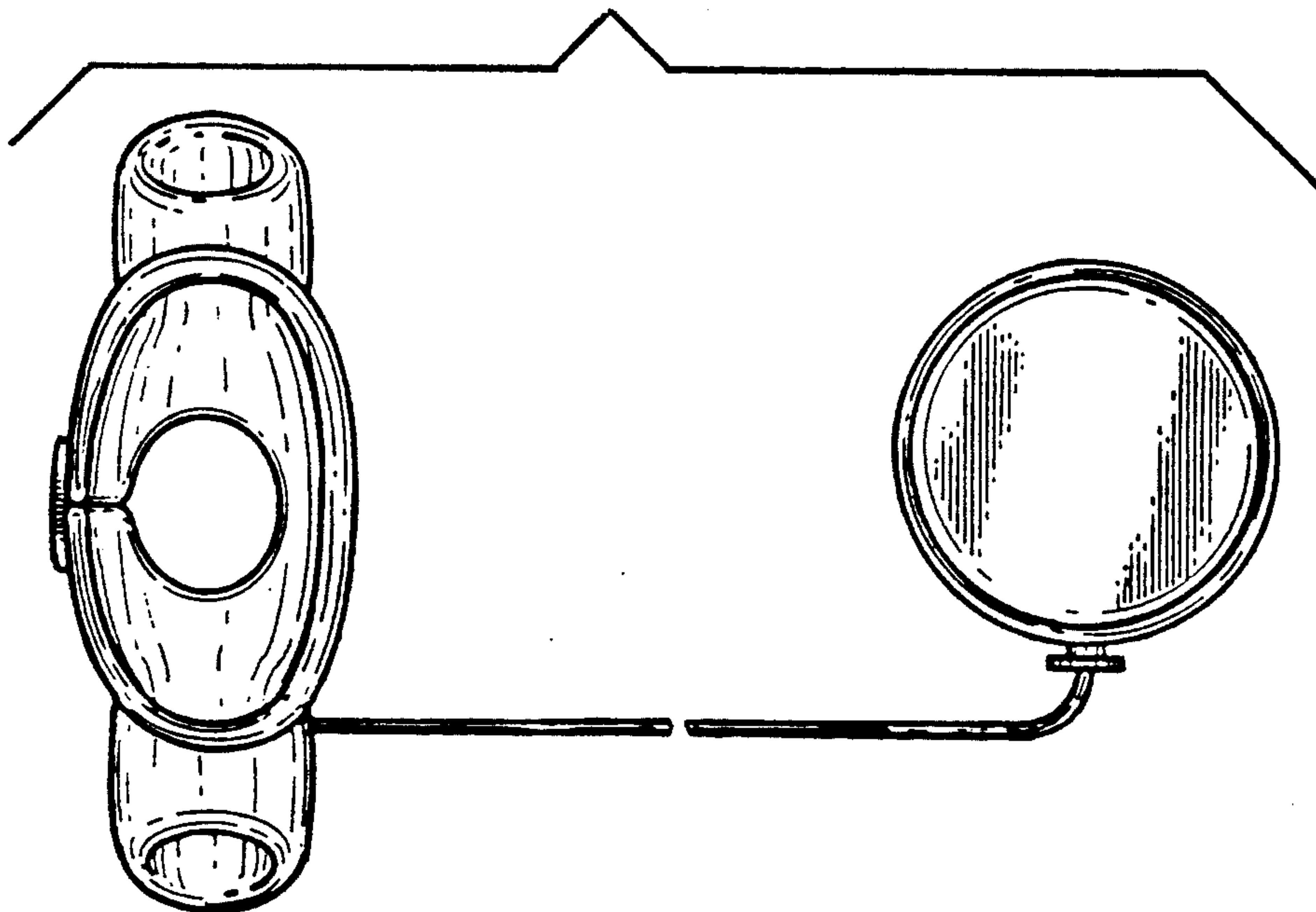


FIG. 4

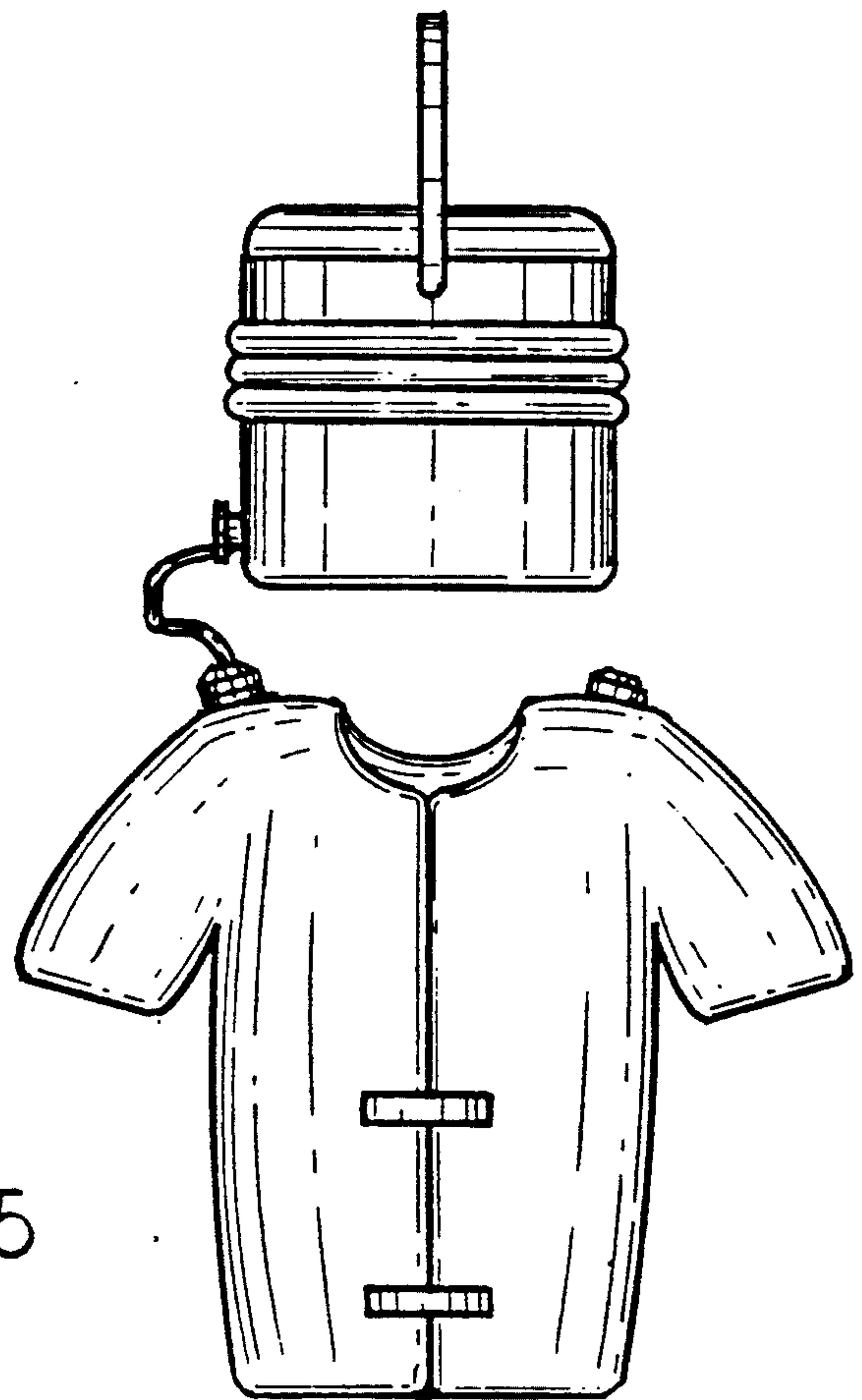
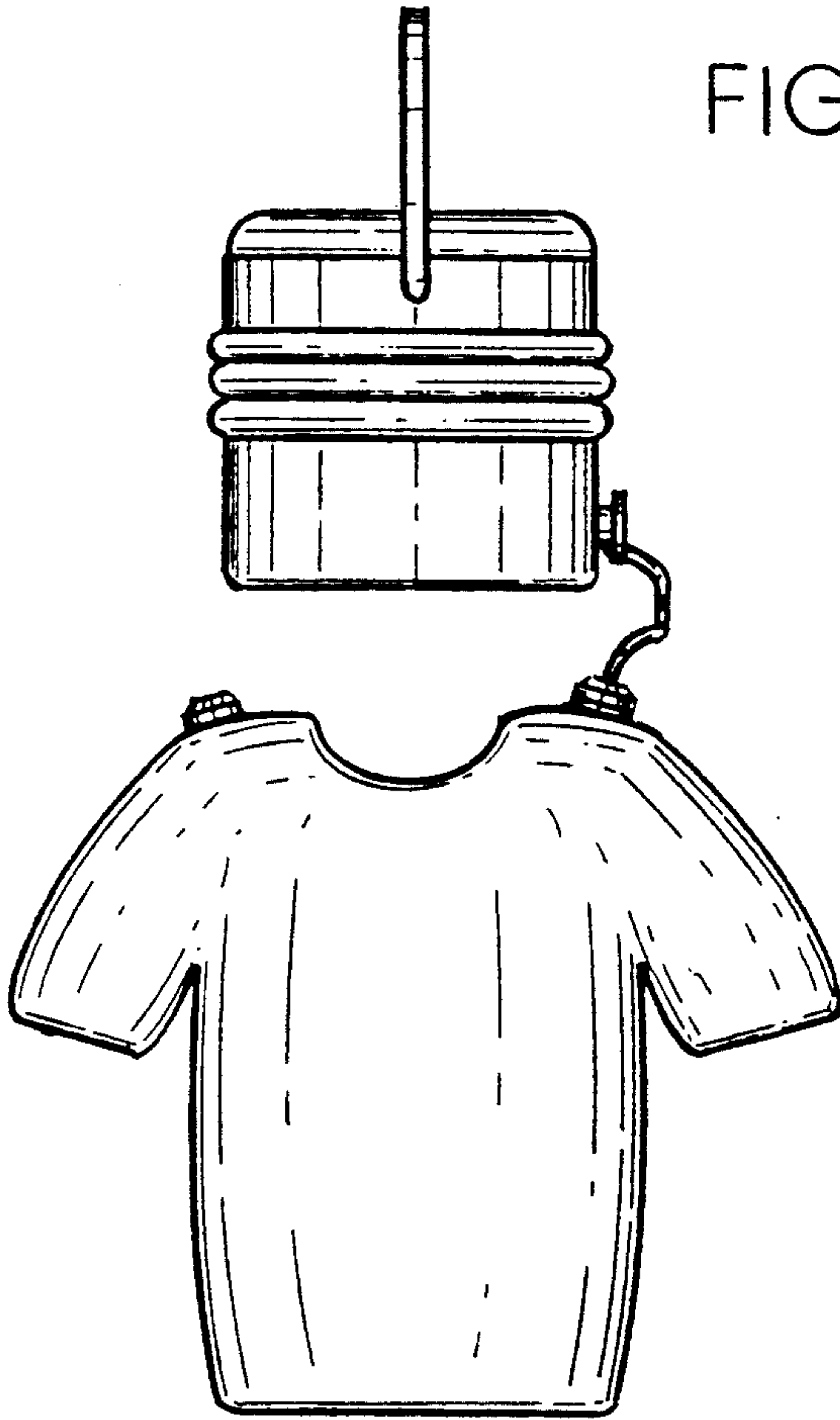


FIG. 5