



US00D348725S

United States Patent [19]

[11] Patent Number: **Des. 348,725**

Wortham

[45] Date of Patent: **** Jul. 12, 1994**

[54] CONVECTION HEATER

[75] Inventor: **Brent J. Wortham**, Pasadena, Calif.

[73] Assignee: **Tatung Company of America, Inc.**,
Long Beach, Calif.

[**] Term: **14 Years**

[21] Appl. No.: **1,150**

[22] Filed: **Oct. 2, 1992**

[52] U.S. Cl. **D23/335; D23/332**

[58] Field of Search **392/365-369,**
392/383, 373, 374; D23/335, 332, 330

[56] References Cited

FOREIGN PATENT DOCUMENTS

870361 3/1942 France 392/373

OTHER PUBLICATIONS

De Longhi America Cat., p. 6, convector heater A, upper left side of page.

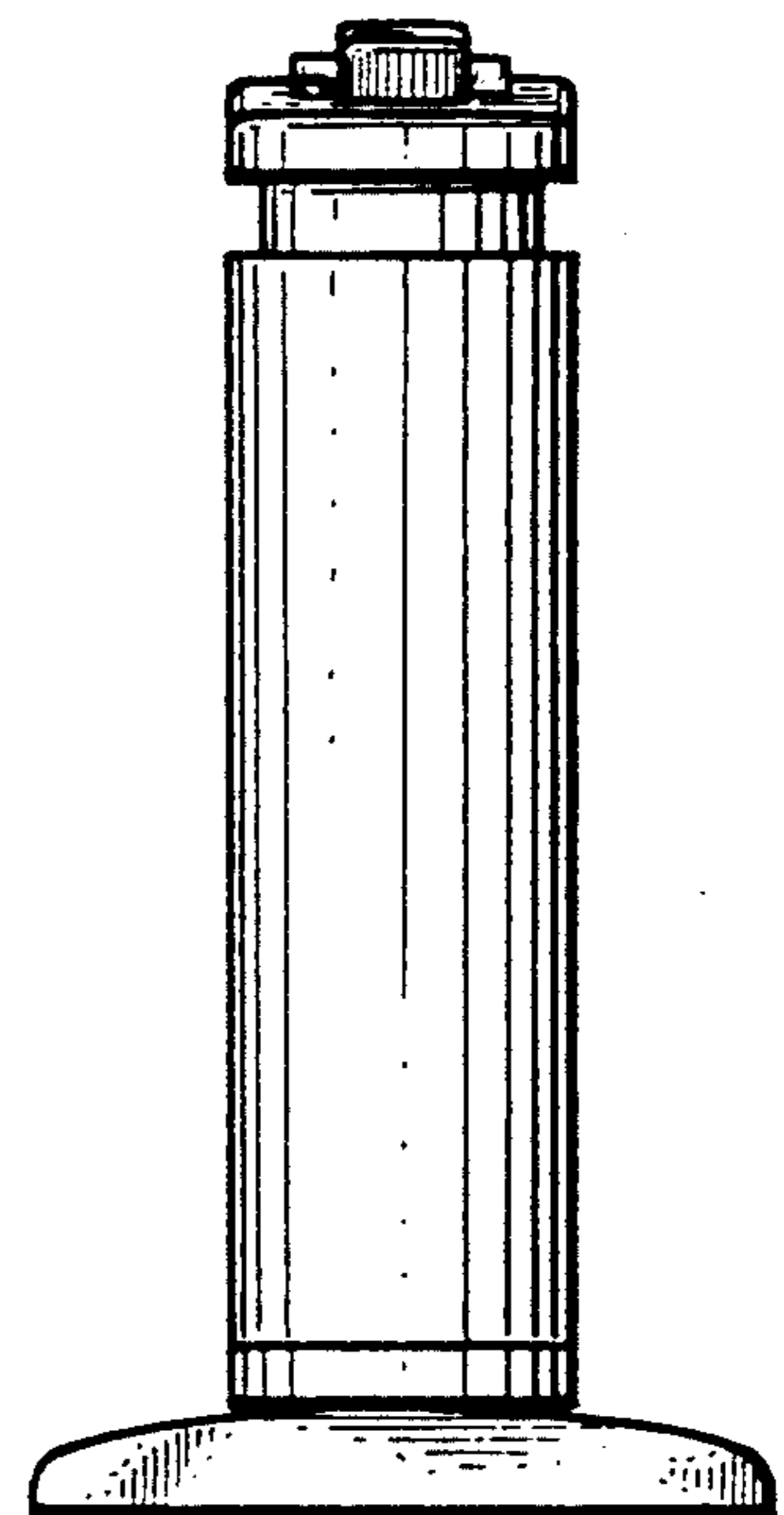
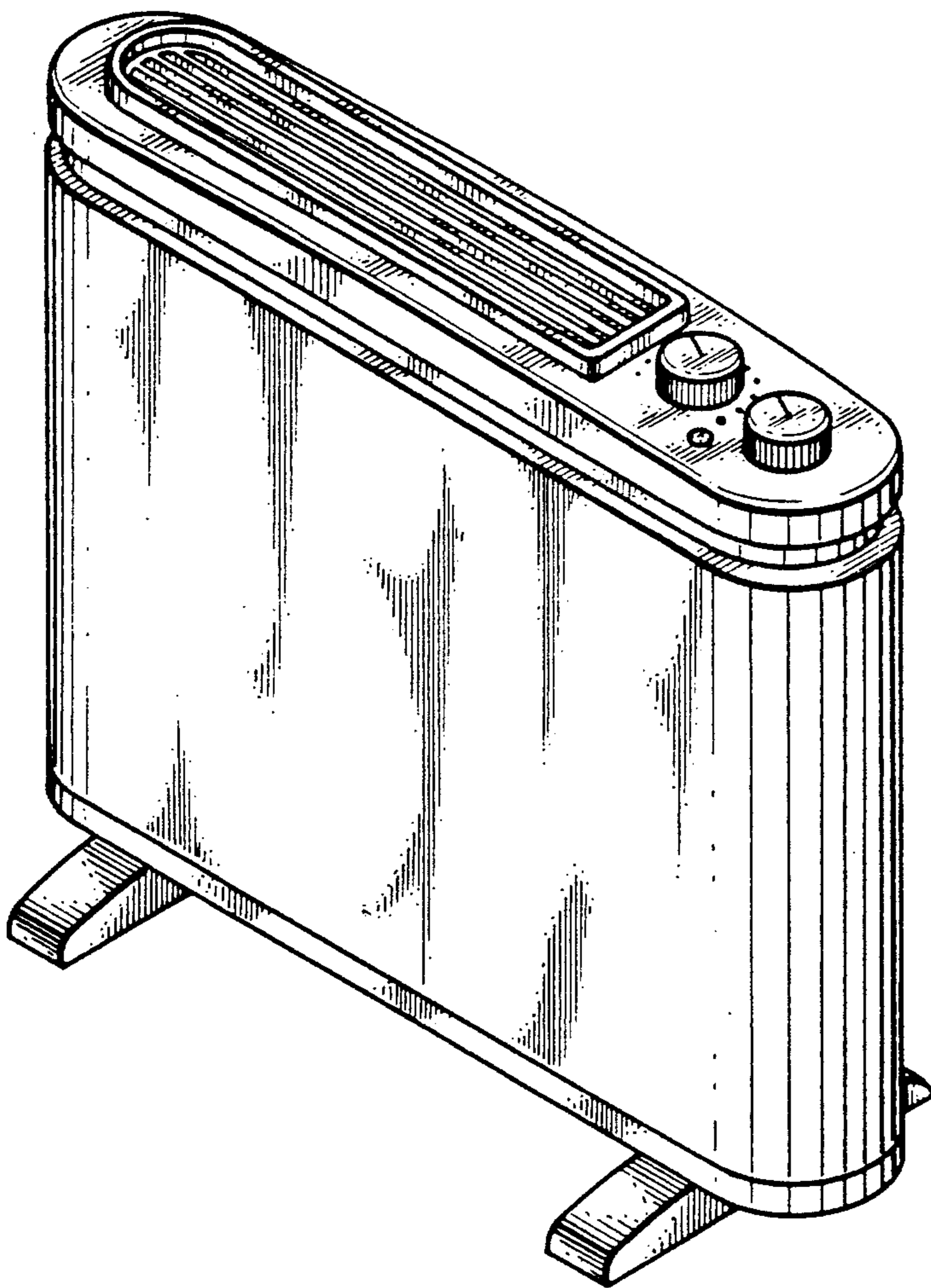
Primary Examiner—Wallace R. Burke
Assistant Examiner—Lisa Lichtenstein
Attorney, Agent, or Firm—Jack C. Munro

[57] CLAIM

The ornamental design for a convection heater, as shown.

DESCRIPTION

FIG. 1 is an isometric view of the convection heater showing my new design;
FIG. 2 is a front elevational view thereof;
FIG. 3 is a right side elevational view thereof;
FIG. 4 is a rear elevational view thereof;
FIG. 5 is a left side elevational view thereof; and,
FIG. 6 is a top plan view thereof.



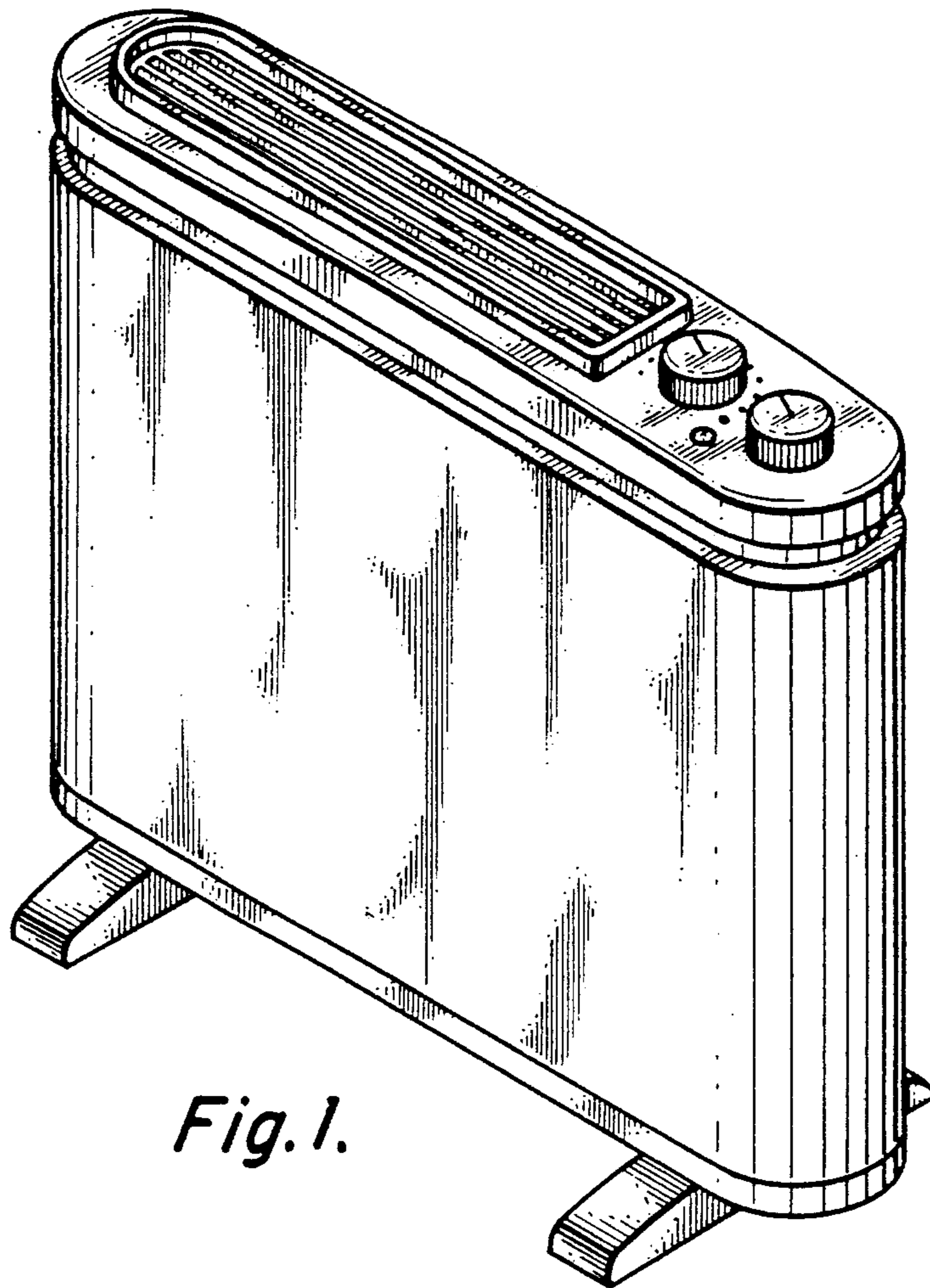


Fig. 1.

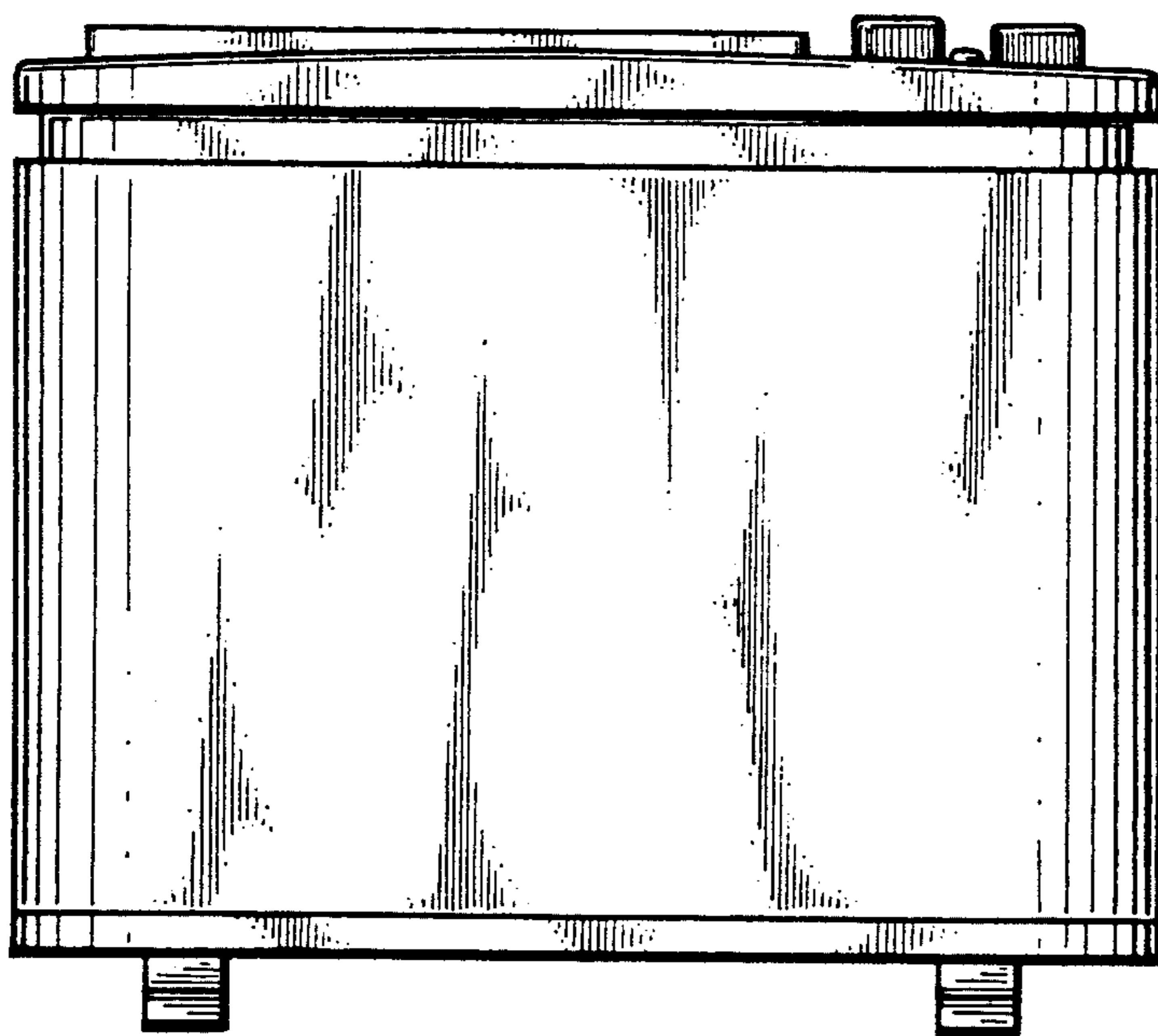


Fig. 2.

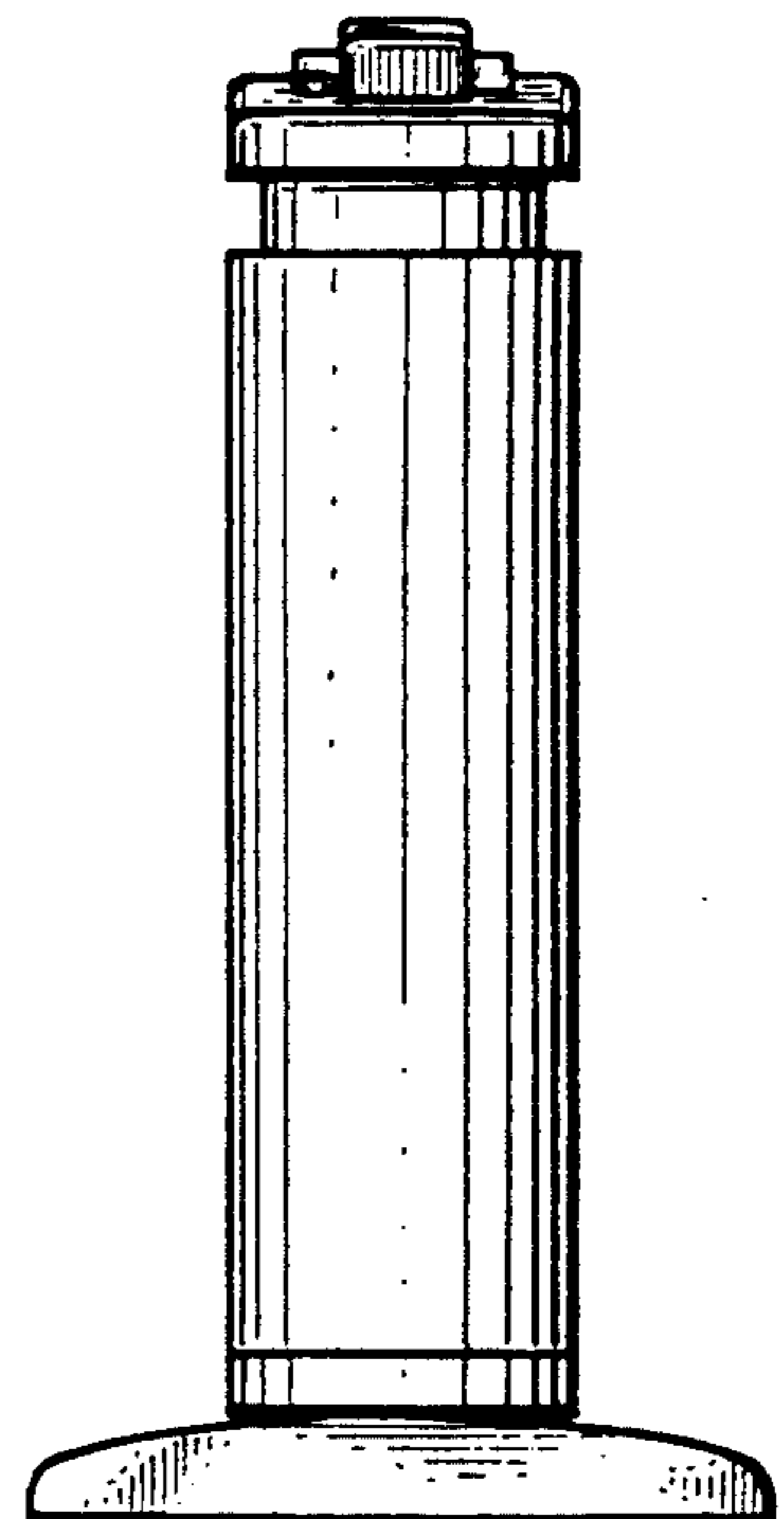


Fig. 3.

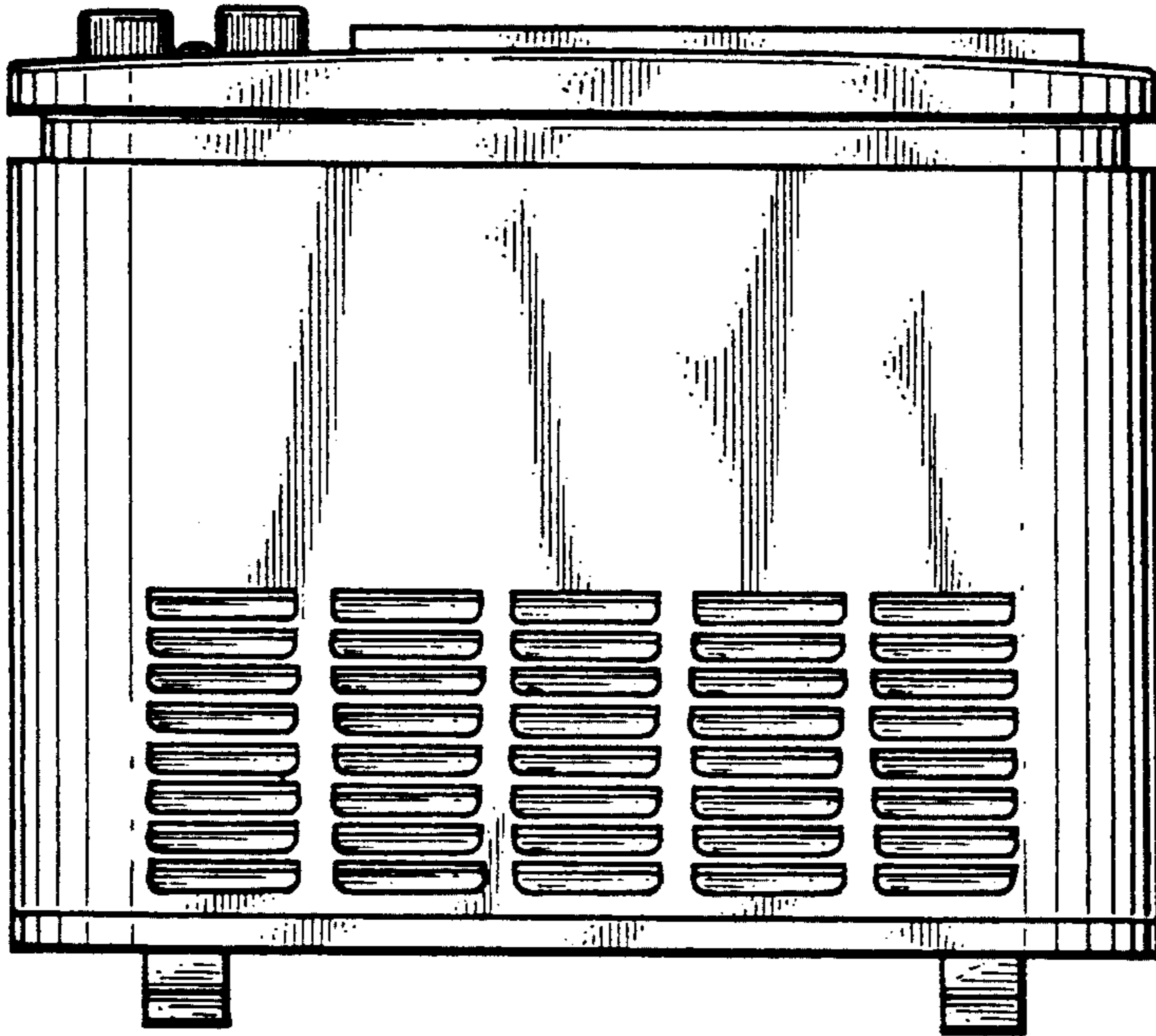


Fig. 4.

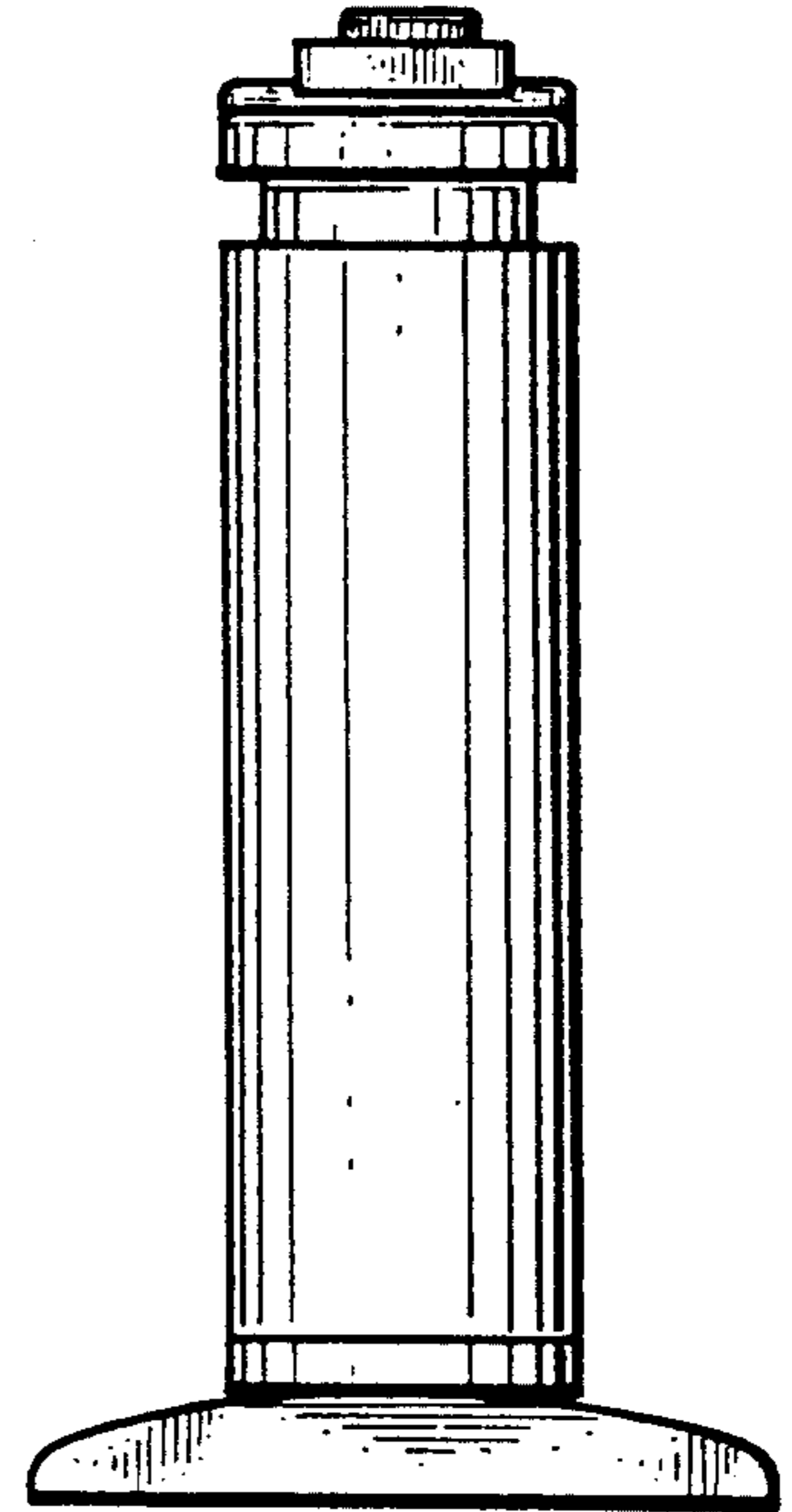


Fig. 5.

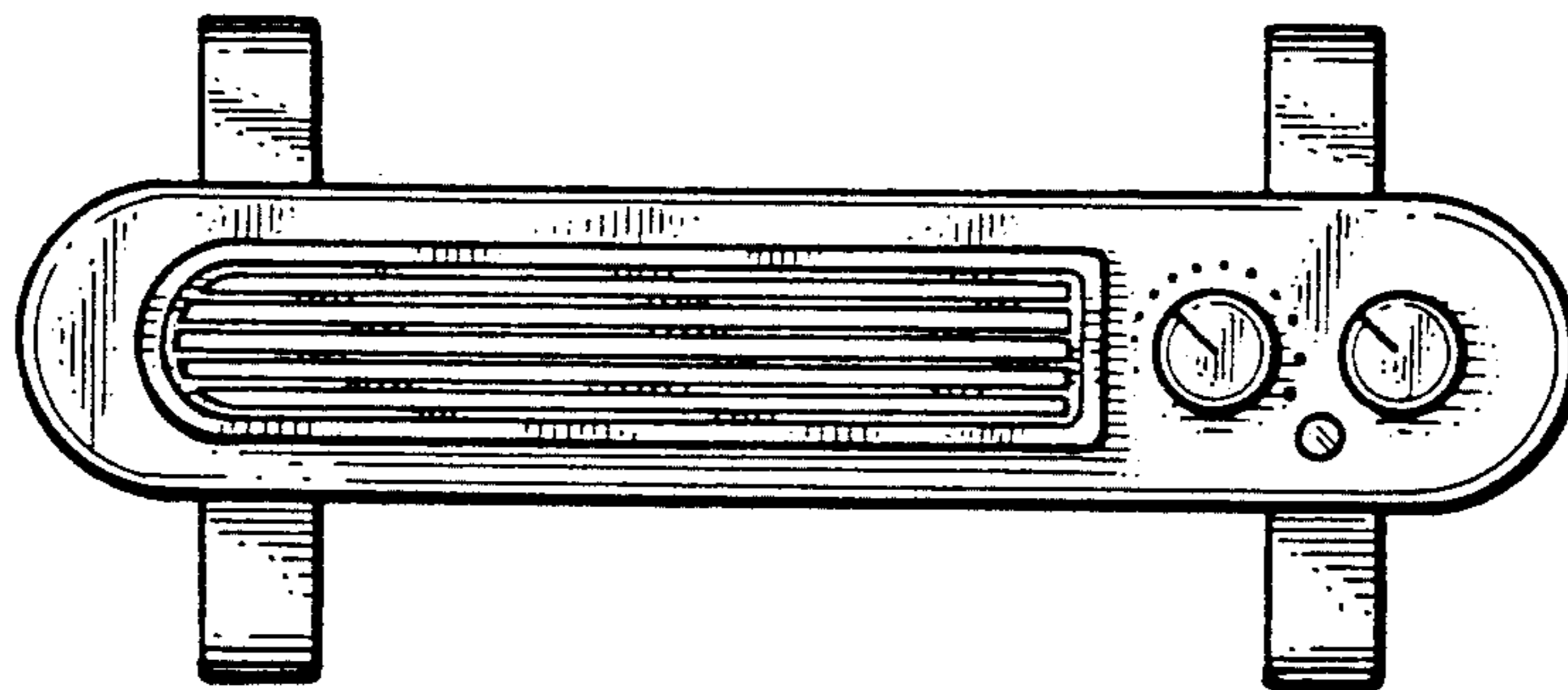


Fig. 6.

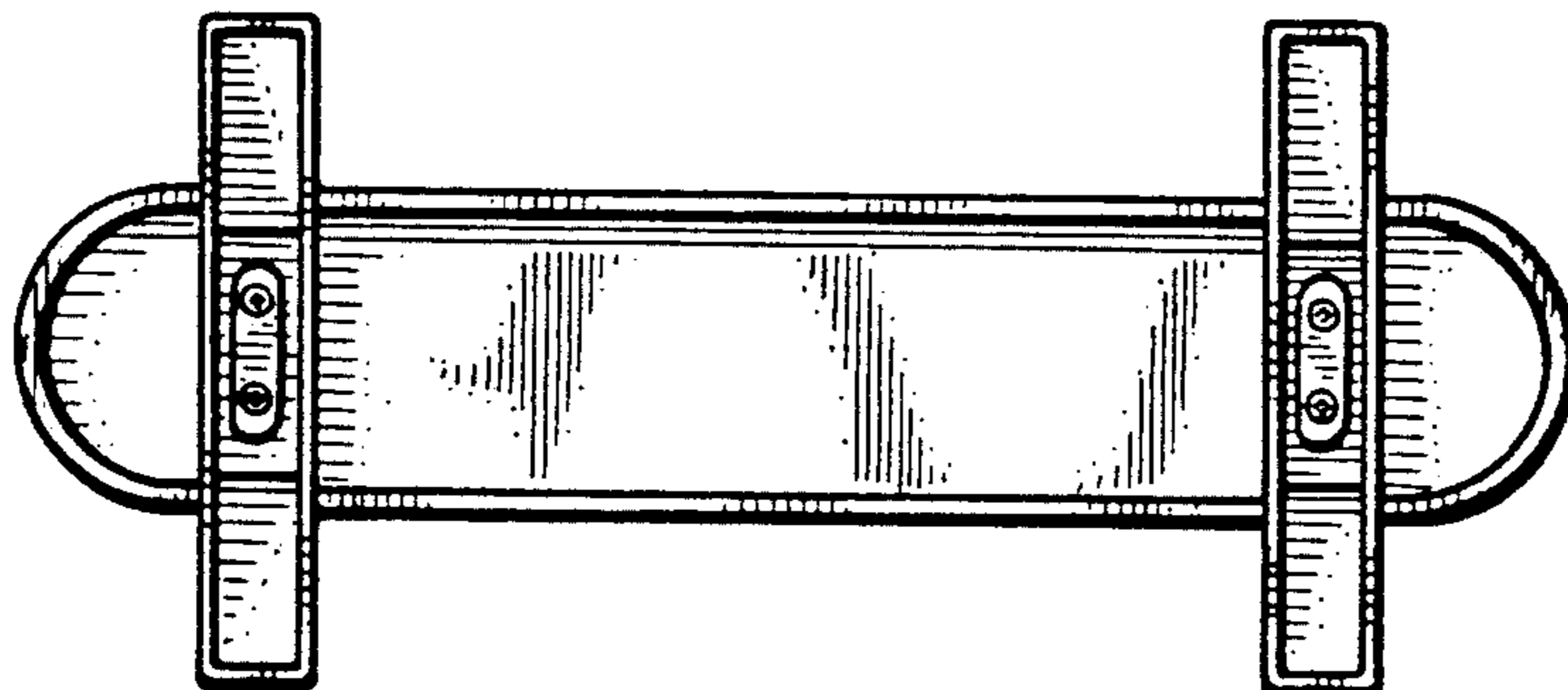


Fig. 7.