



US00D348723S

# United States Patent [19]

[11] Patent Number: **Des. 348,723**

**Carroll**

[45] Date of Patent: **\*\* Jul. 12, 1994**

[54] **PROTECTIVE COVER FOR INSULATED PIPES**

[76] Inventor: **Ricky W. Carroll, Rte. 4, Box 246, Brenham, Tex. 77833**

[\*\*] Term: **14 Years**

[21] Appl. No.: **665,444**

[22] Filed: **Mar. 5, 1991**

[52] U.S. Cl. .... **D23/263; D23/386**

[58] Field of Search ..... 285/256, 373, 419, 424; 137/375; 138/110, 149; D23/259, 8, 262-265, 386

3,633,943 1/1972 Ramm et al. .... 285/373 X  
 3,724,491 4/1973 Knudsen et al. .... 137/375  
 3,871,400 3/1975 Thastrup ..... 137/375 X  
 4,112,967 9/1978 Withem ..... 137/375  
 4,259,981 4/1981 Busse ..... 137/375  
 4,807,669 2/1989 Prestidae, Sr. .... 137/375 X  
 4,915,424 4/1990 Sarno et al. .... 285/156  
 5,024,249 6/1991 Botsolas ..... 138/110  
 5,025,836 6/1991 Botsolas ..... 138/110

*Primary Examiner*—James R. Largen  
*Attorney, Agent, or Firm*—Gunn & Kuffner

### [57] CLAIM

The ornamental design for a protective cover for insulated pipes, as shown and described.

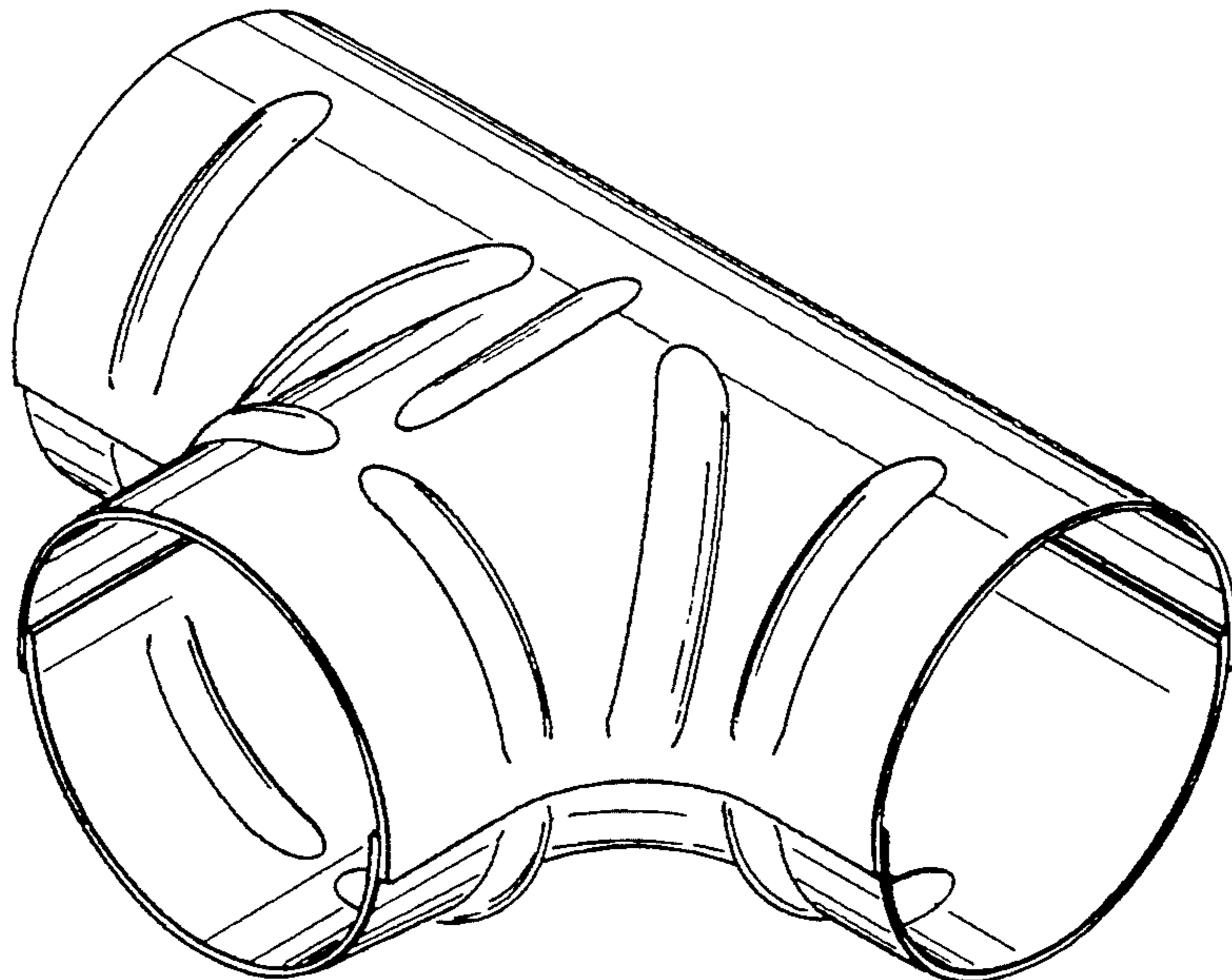
### DESCRIPTION

FIG. 1 is a perspective view taken from the top and front of a protective cover for insulated pipes showing my new design;  
 FIG. 2 is a top view thereof;  
 FIG. 3 is a front view thereof;  
 FIG. 4 is an end view thereof;  
 FIG. 5 is a bottom view thereof;  
 FIG. 6 is a rear view thereof; and,  
 FIG. 7 is a view taken from the end opposite that shown in FIG. 4.

### [56] References Cited

#### U.S. PATENT DOCUMENTS

D. 240,131 6/1976 Dwyer ..... D23/263  
 D. 249,276 9/1978 Levin ..... D23/263  
 D. 264,120 4/1982 Karakawa ..... D23/386  
 D. 291,480 8/1987 Vassallo et al. .... D23/263  
 D. 312,499 11/1990 Karakawa ..... D23/386  
 1,108,840 8/1914 Franko ..... 137/375  
 1,437,937 12/1922 Gray ..... 285/156  
 1,992,312 2/1935 Kuehn ..... 285/424 X  
 2,128,720 8/1938 Tweedalo ..... 285/424 X  
 3,044,915 7/1962 Jacobsen ..... 137/375



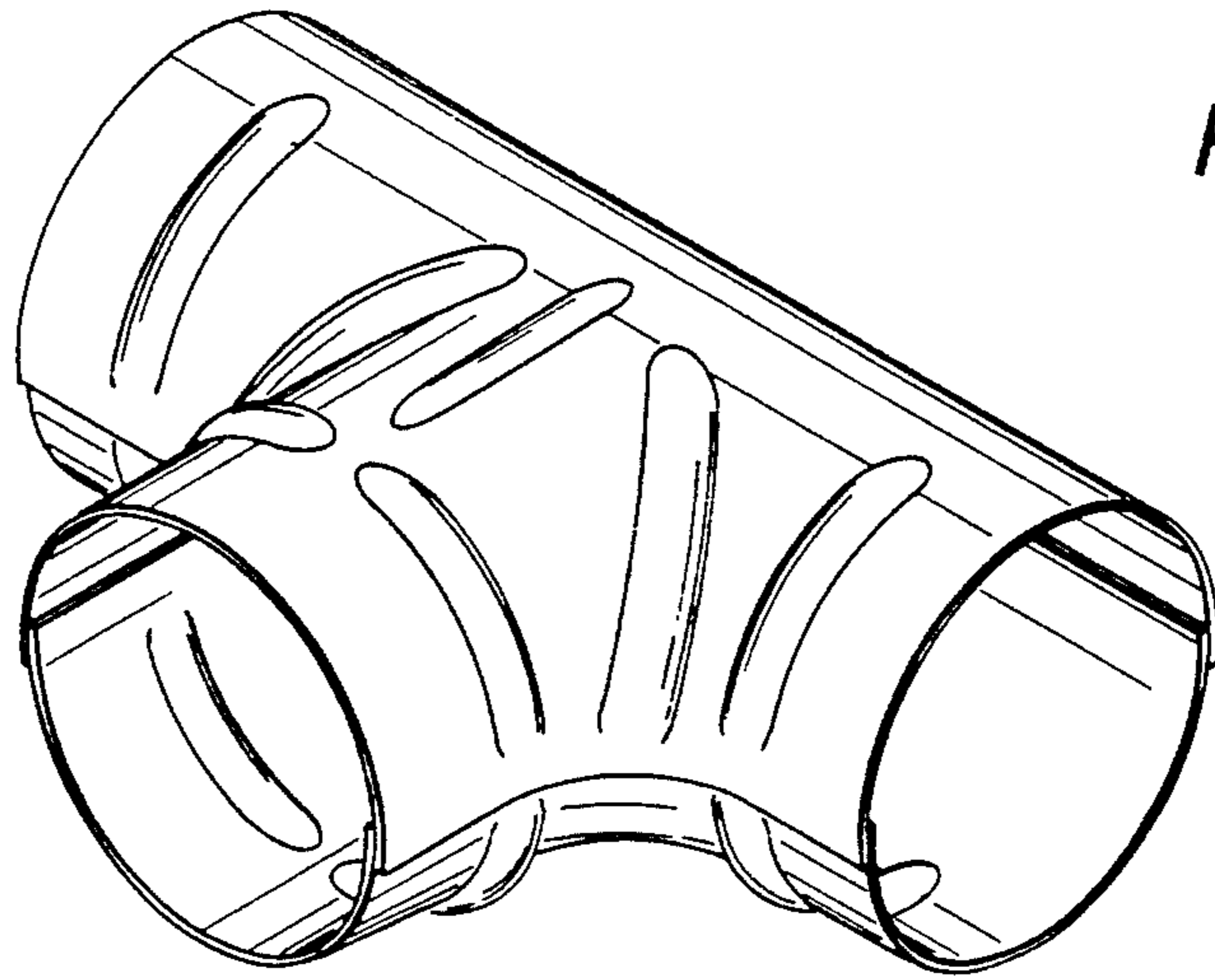


FIG. 1

FIG. 2

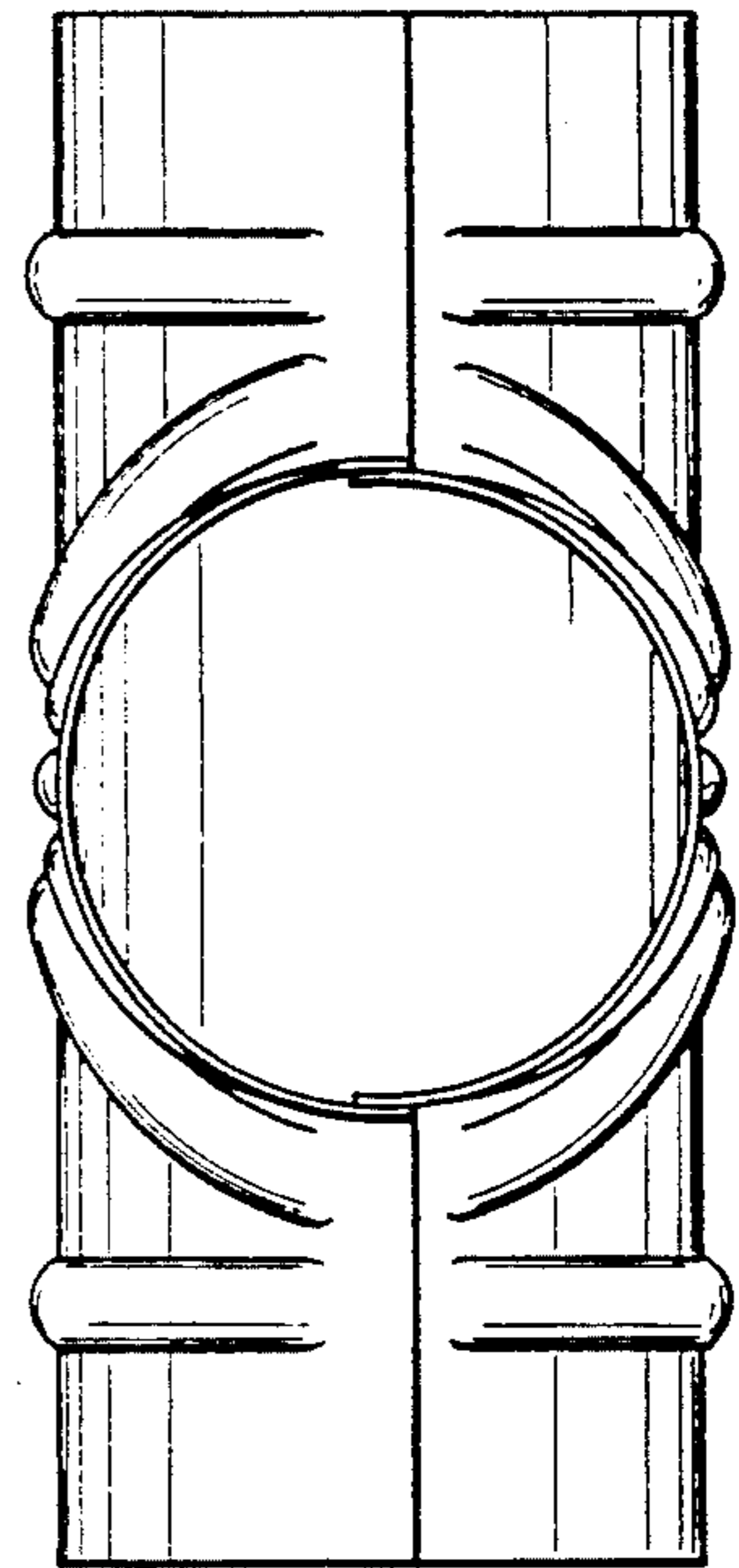
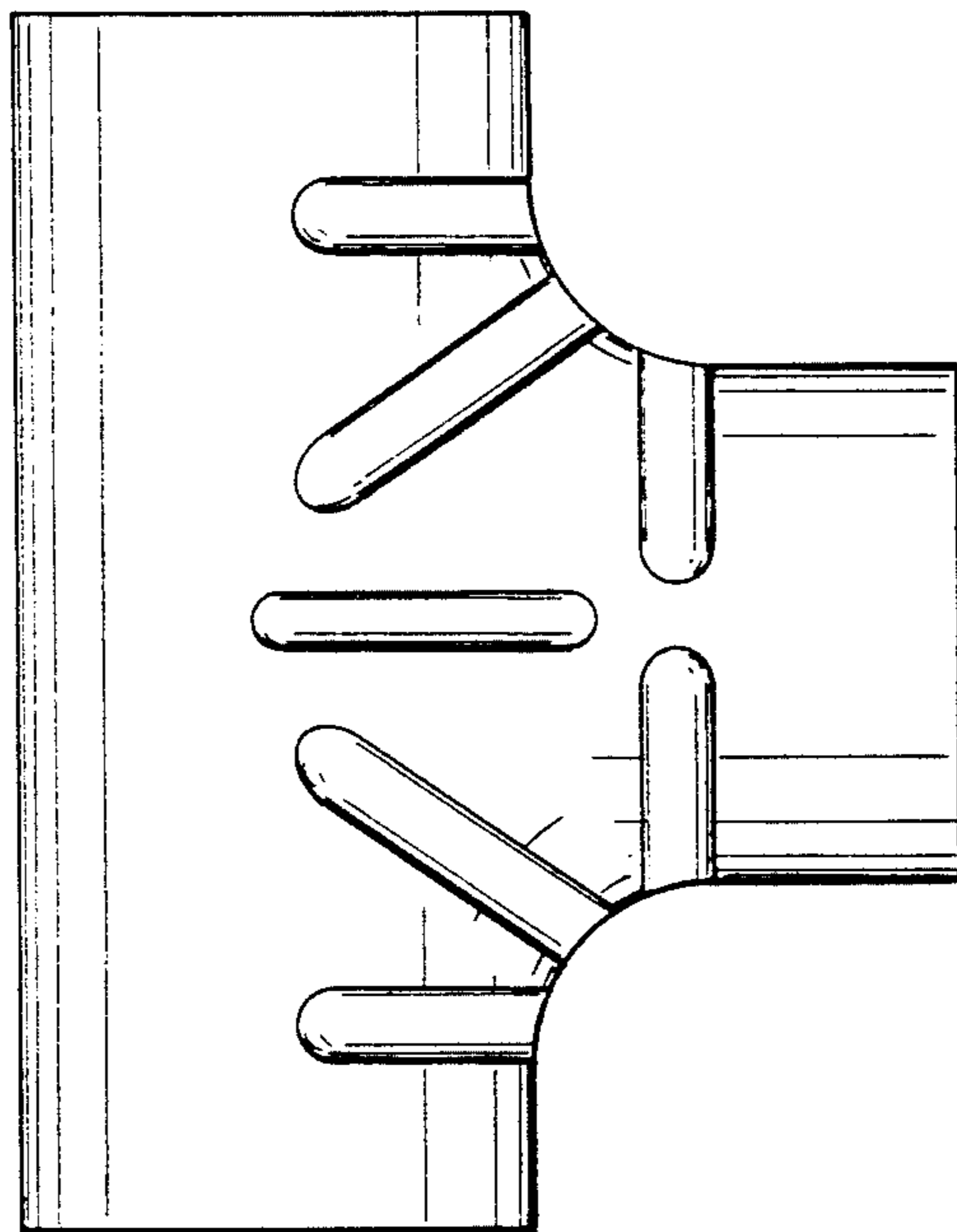


FIG. 3

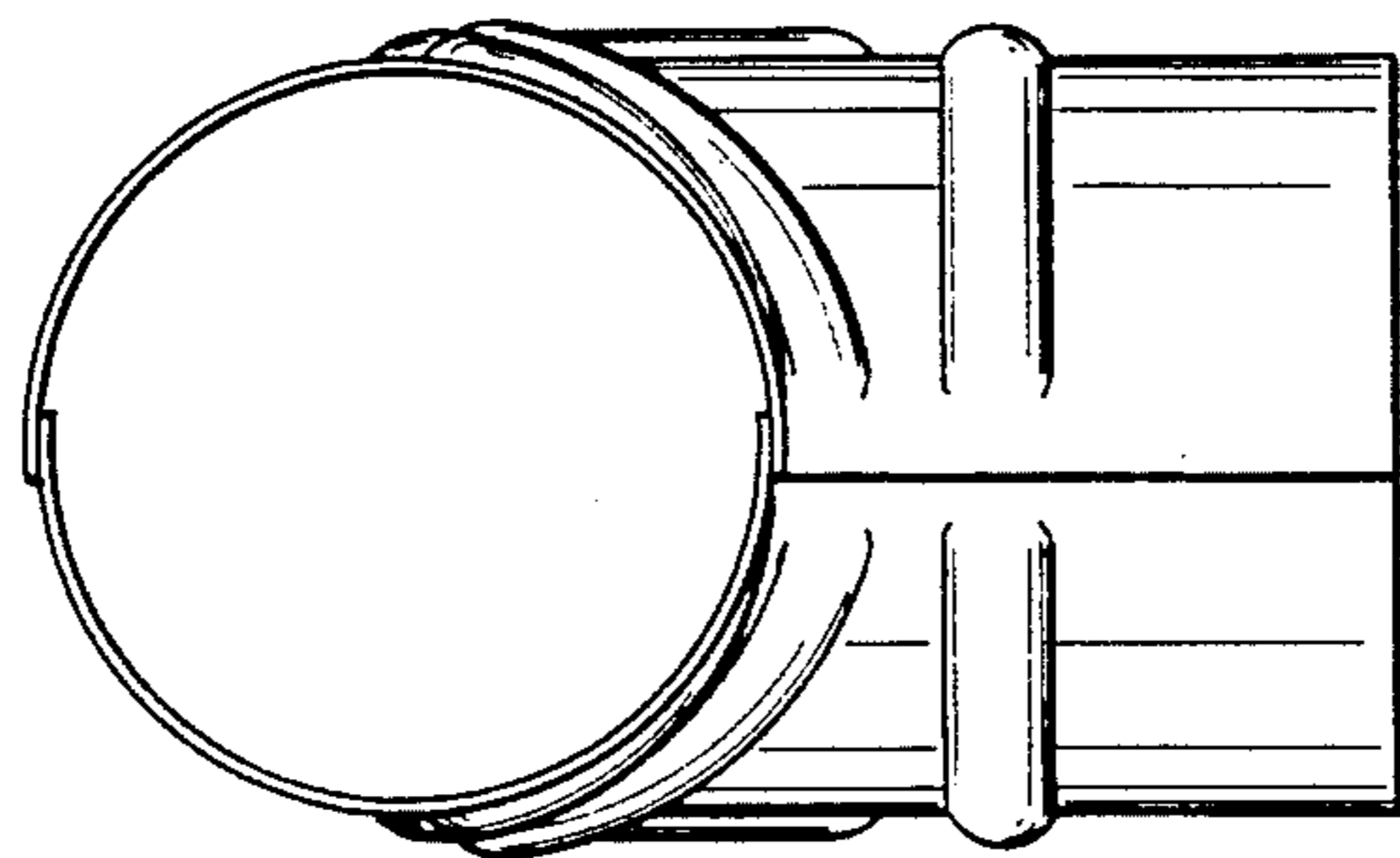


FIG. 4

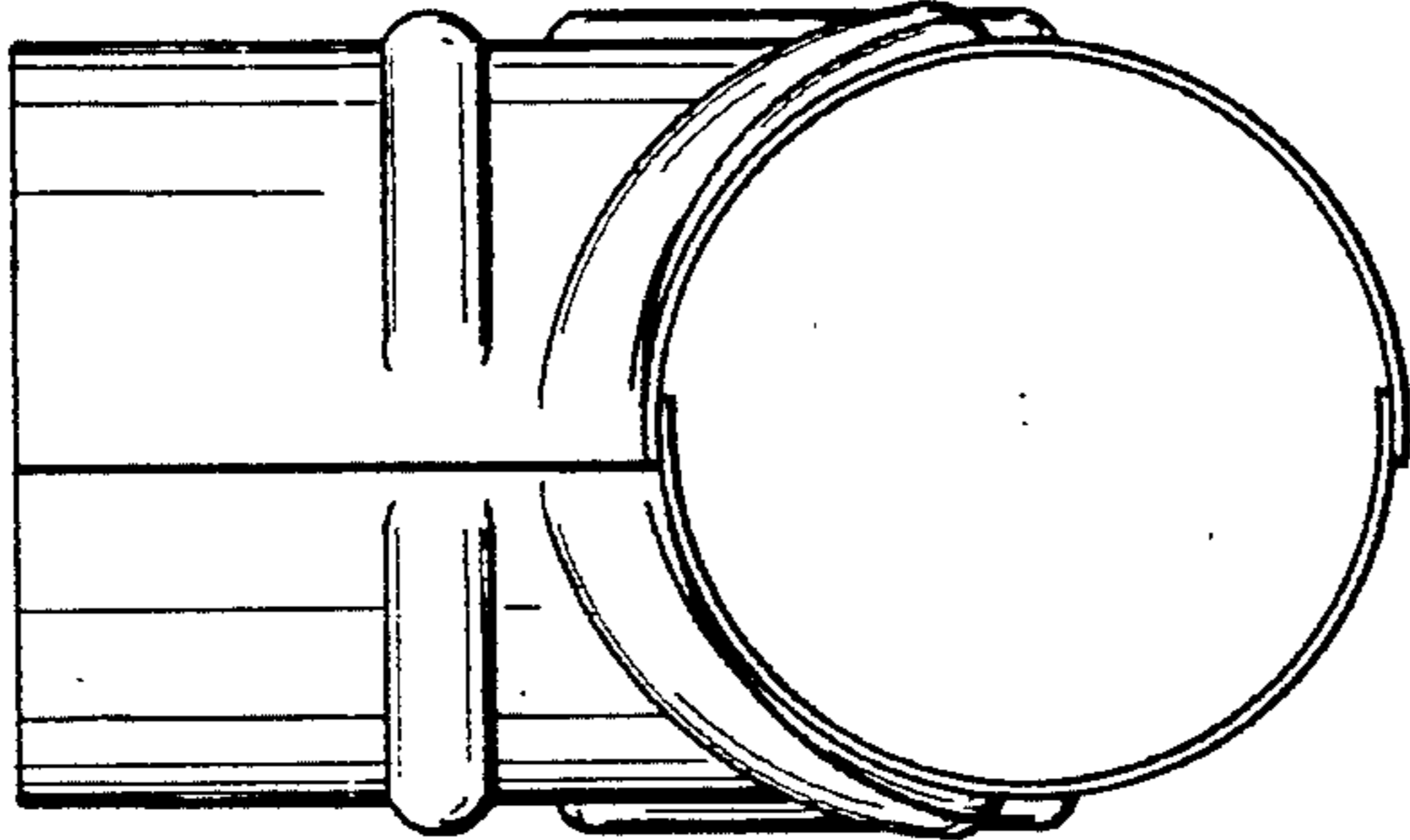


FIG. 7

FIG. 5

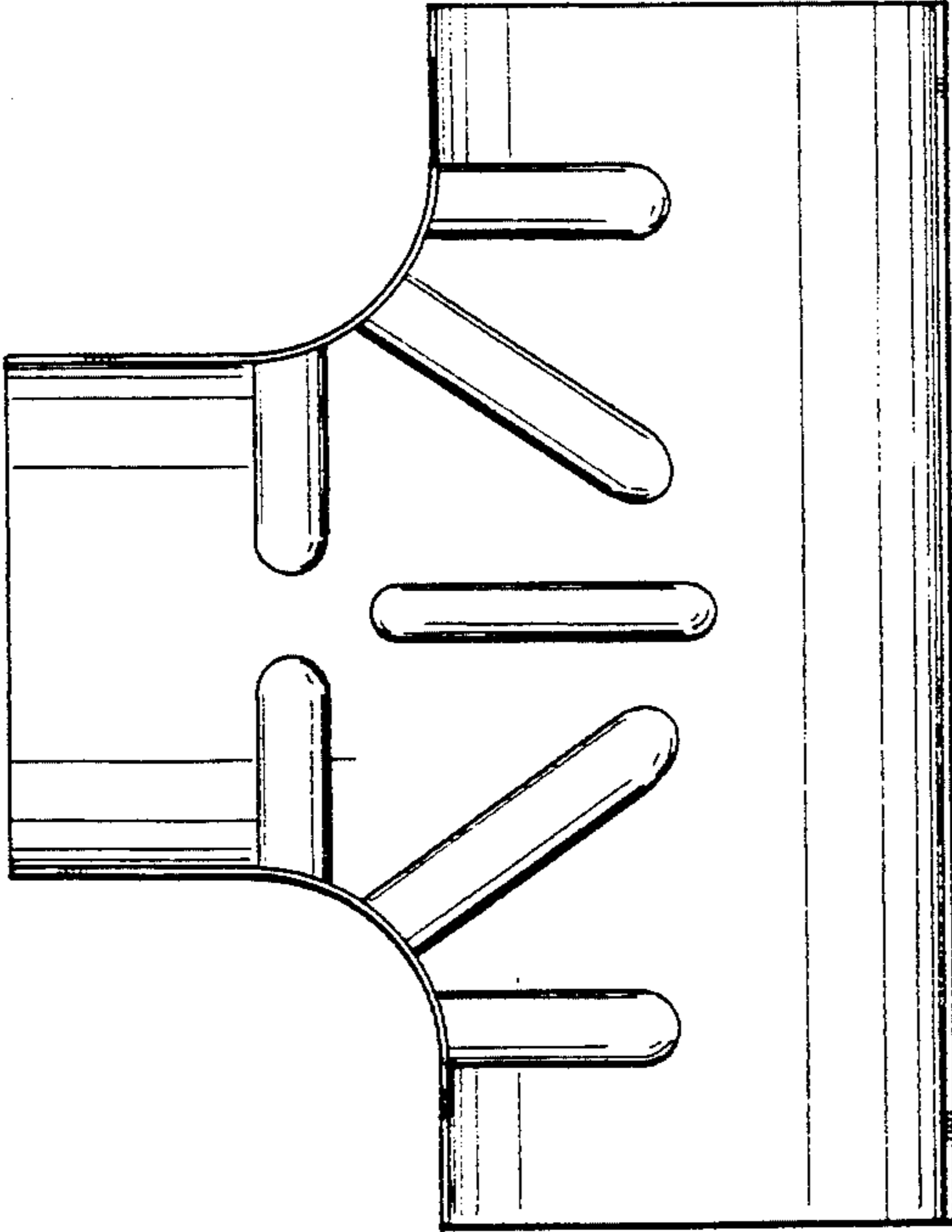


FIG. 6

