



US00D348722S

United States Patent [19]

[11] Patent Number: **Des. 348,722**

Pippel

[45] Date of Patent: **** Jul. 12, 1994**

[54] **FAUCET DIVERTER VALVE**

[75] Inventor: **Bradley J. Pippel, Grandville, Mich.**

[73] Assignee: **Amway Corporation, Ada, Mich.**

[**] Term: **14 Years**

[21] Appl. No.: **930,182**

[22] Filed: **Aug. 17, 1992**

[52] U.S. Cl. **D23/233**

[58] Field of Search 137/382, 801; 251/45,
251/61.1, 61; 210/416.3, 433.1; D23/233-237,
244-249

5,085,399 2/1992 Tsutsui et al. 251/45
5,279,329 1/1994 Pippel 137/801 X

Primary Examiner—Stella Reid
Assistant Examiner—Eric Watterson
Attorney, Agent, or Firm—Michael A. Mohr

[57] CLAIM

The ornamental design for a faucet diverter valve, as shown in the drawings.

DESCRIPTION

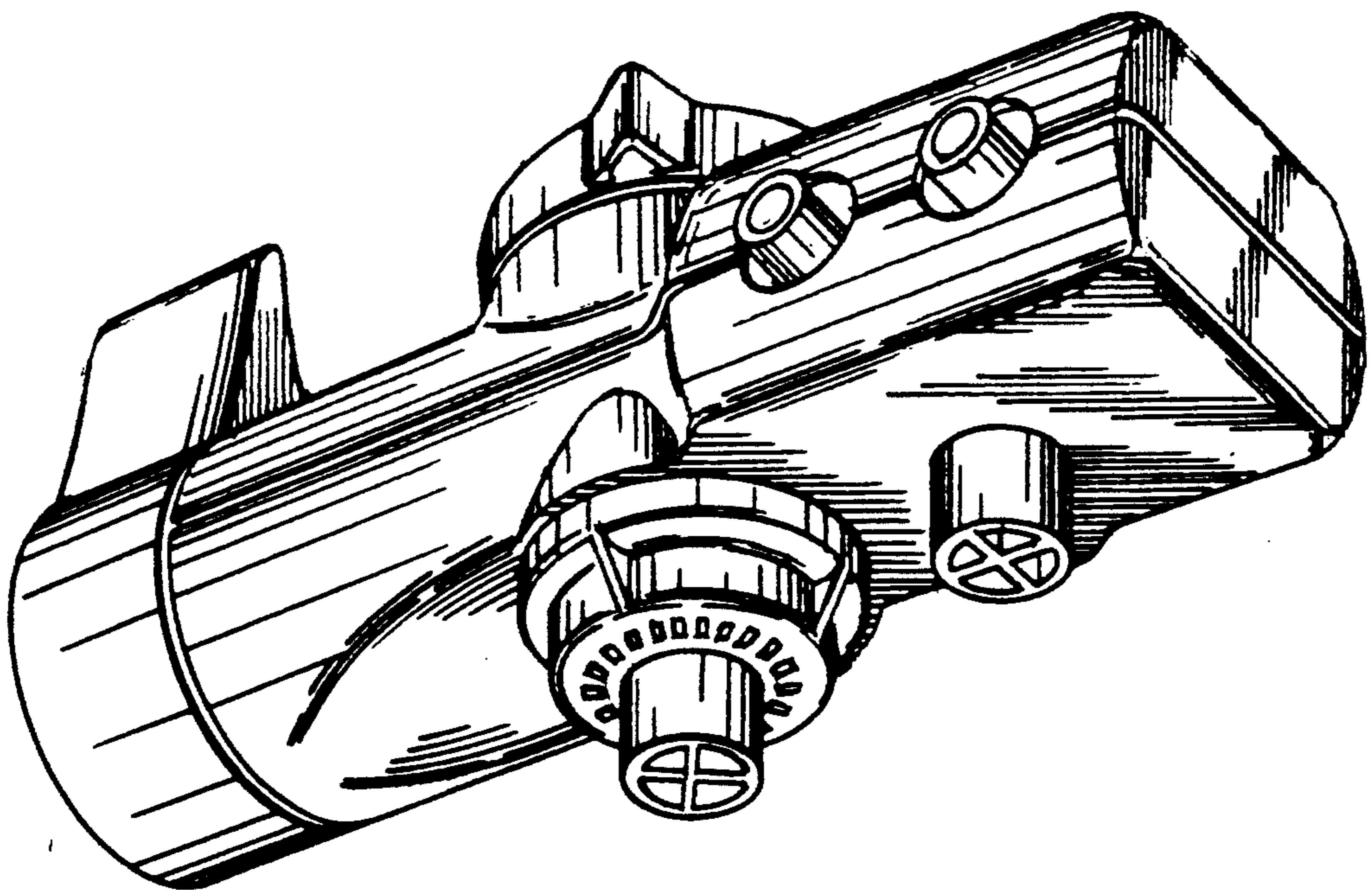
FIG. 1 is a bottom perspective view of the faucet diverter valve of my invention;
FIG. 2 is a back elevational view thereof;
FIG. 3 is a left side elevational view thereof;
FIG. 4 is a right side elevational view thereof;
FIG. 5 is a bottom plan view thereof;
FIG. 6 is a top plan view thereof; and,
FIG. 7 is a front elevational view thereof.

[56]

References Cited

U.S. PATENT DOCUMENTS

4,212,743 7/1980 Van Meter et al. 210/443 X
4,606,370 8/1986 Geipel et al. 137/801 X



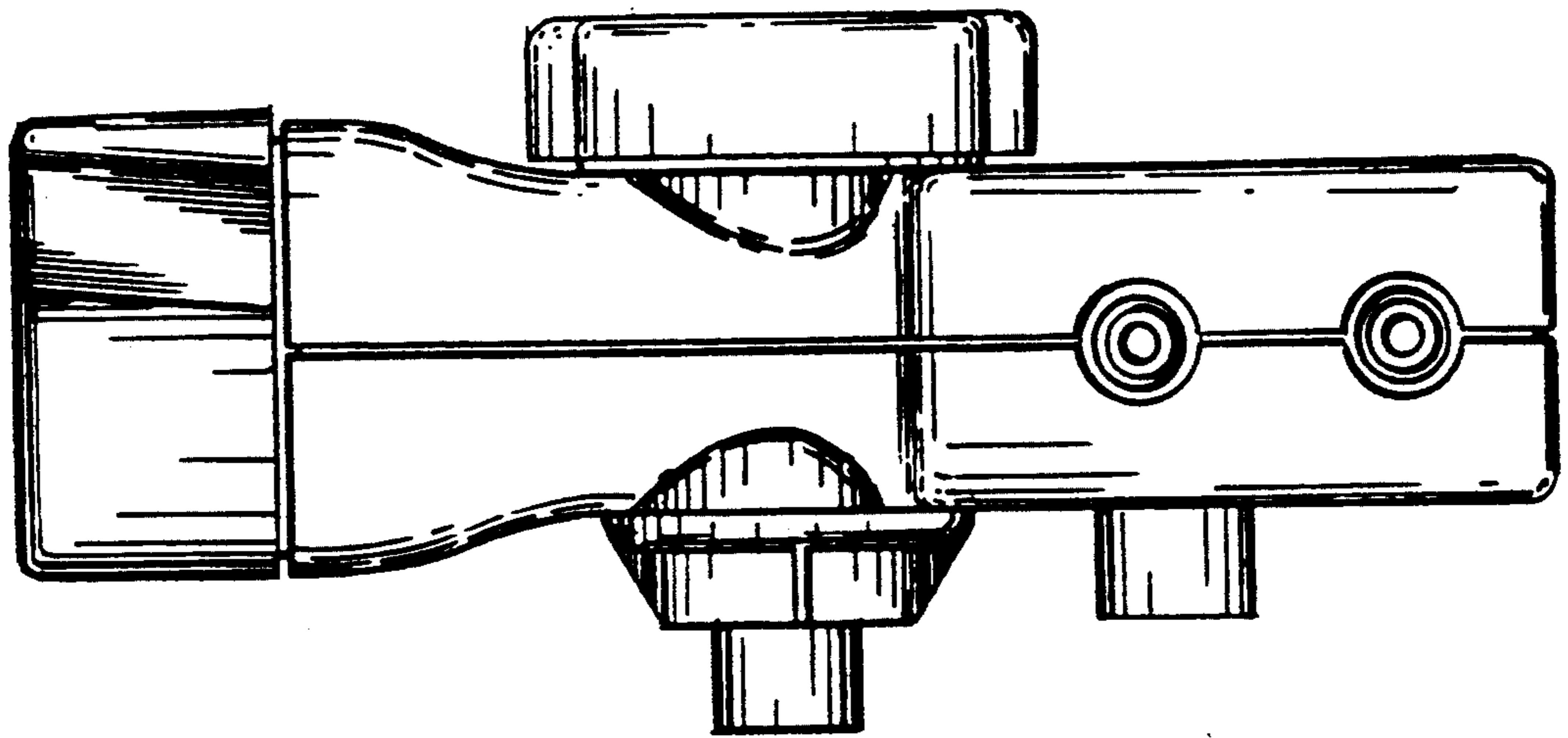


Fig. 2.

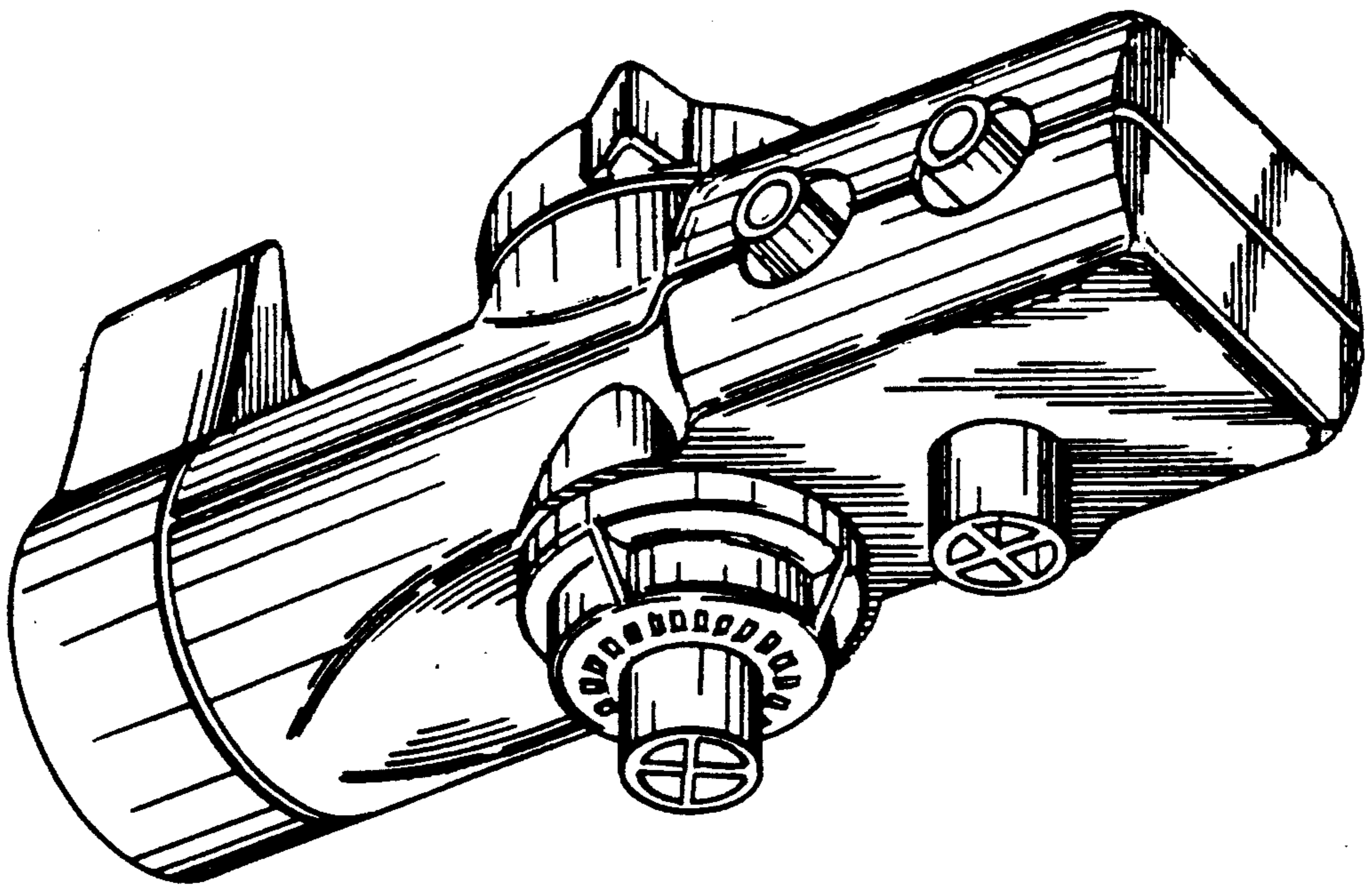


Fig. 1.

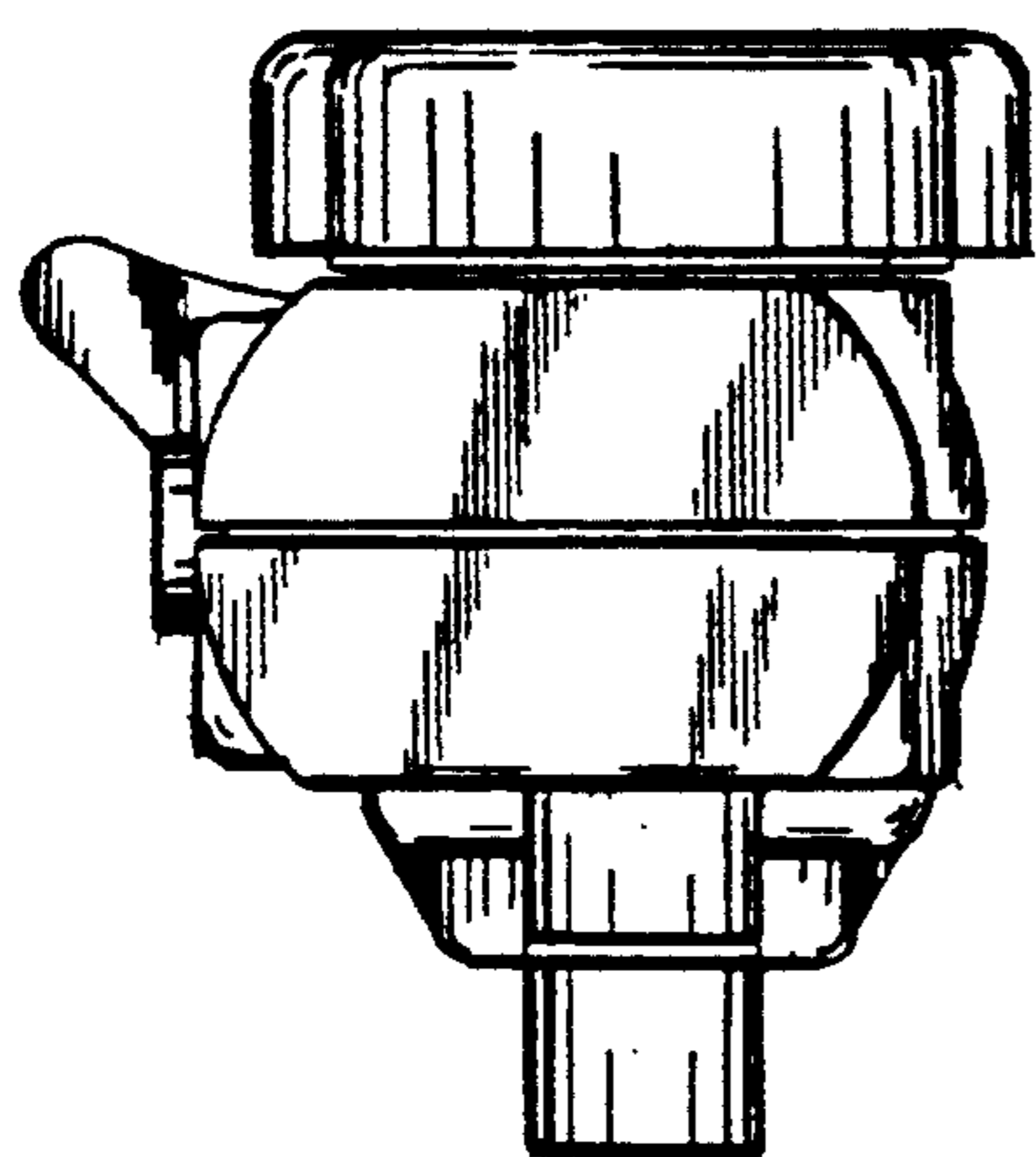


Fig. 3.

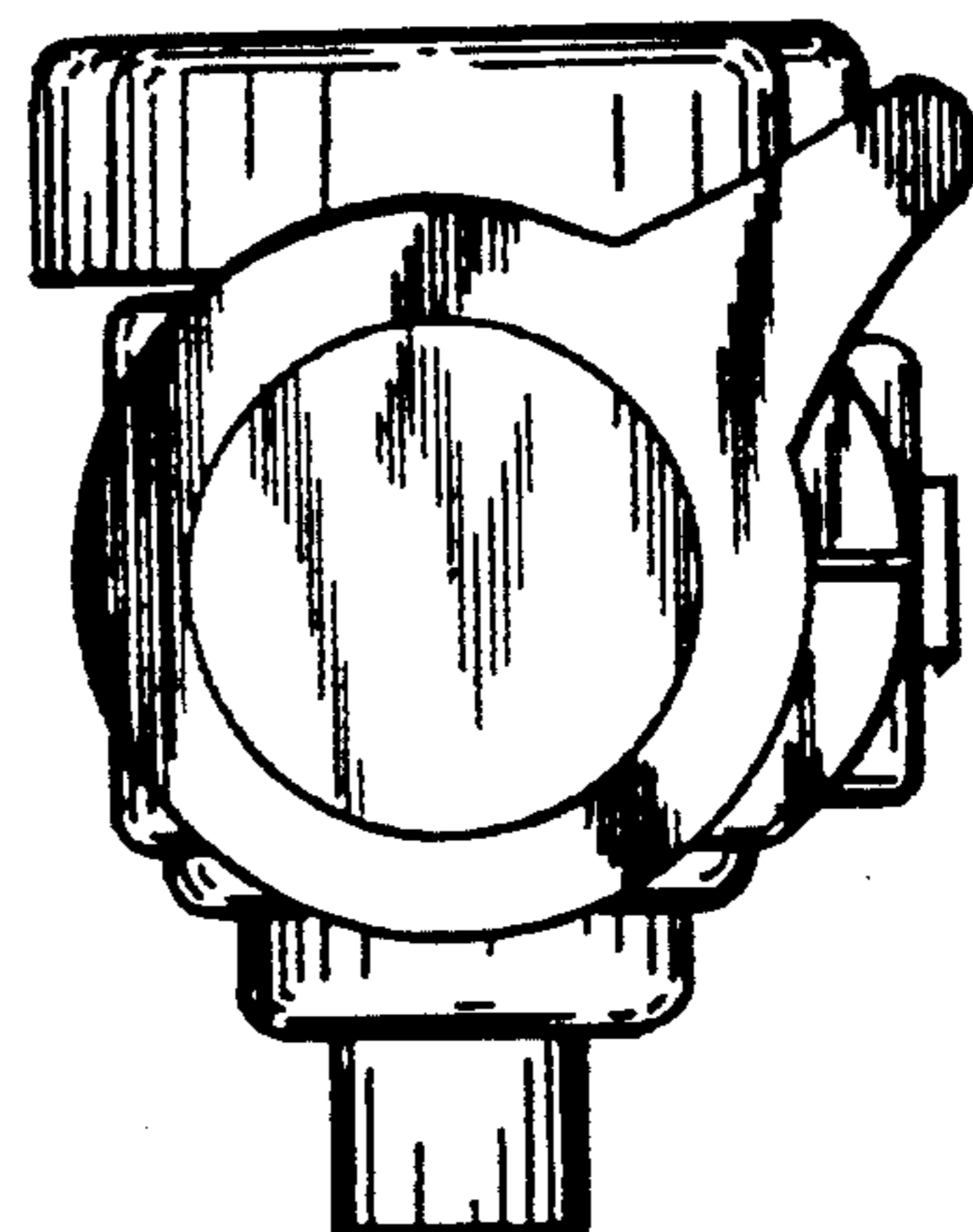


Fig. 4.

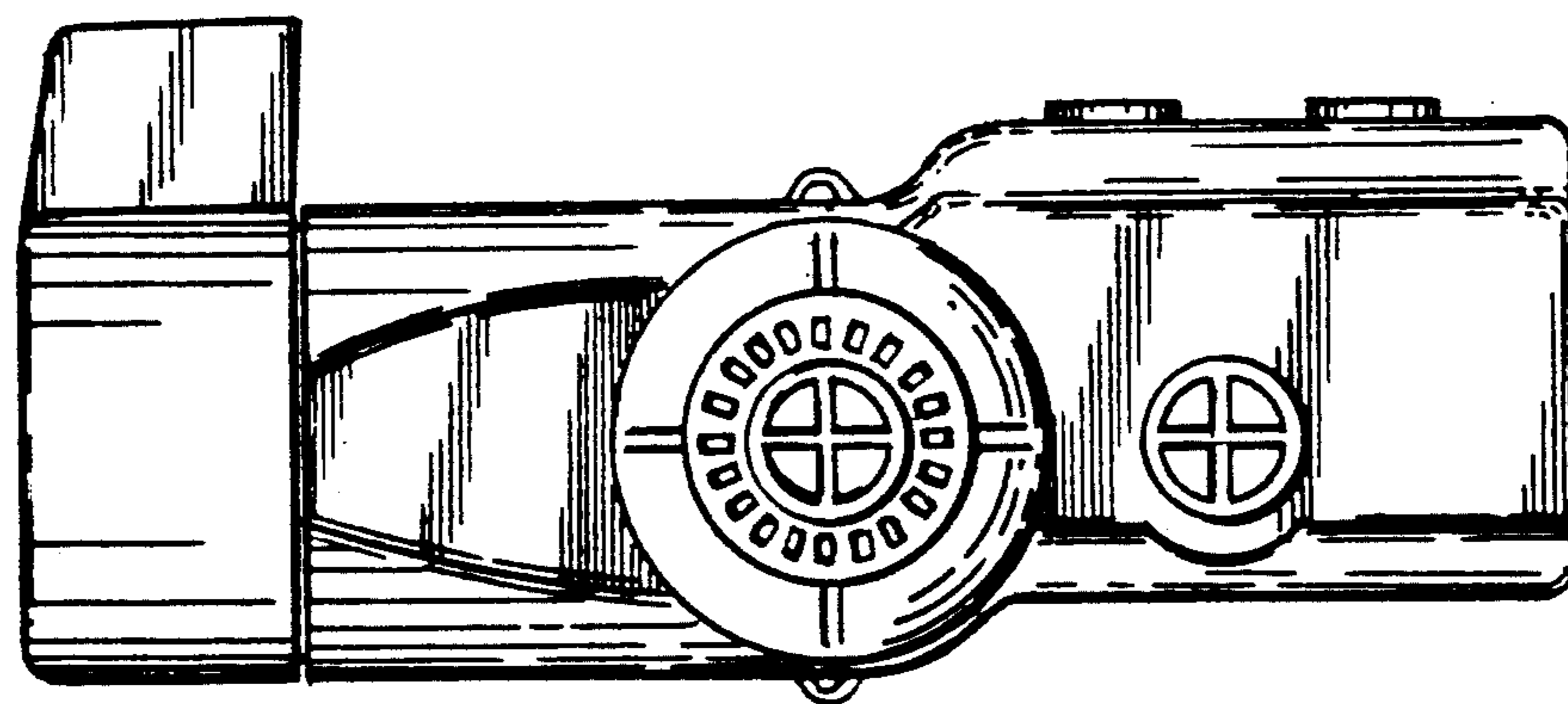


Fig. 5.

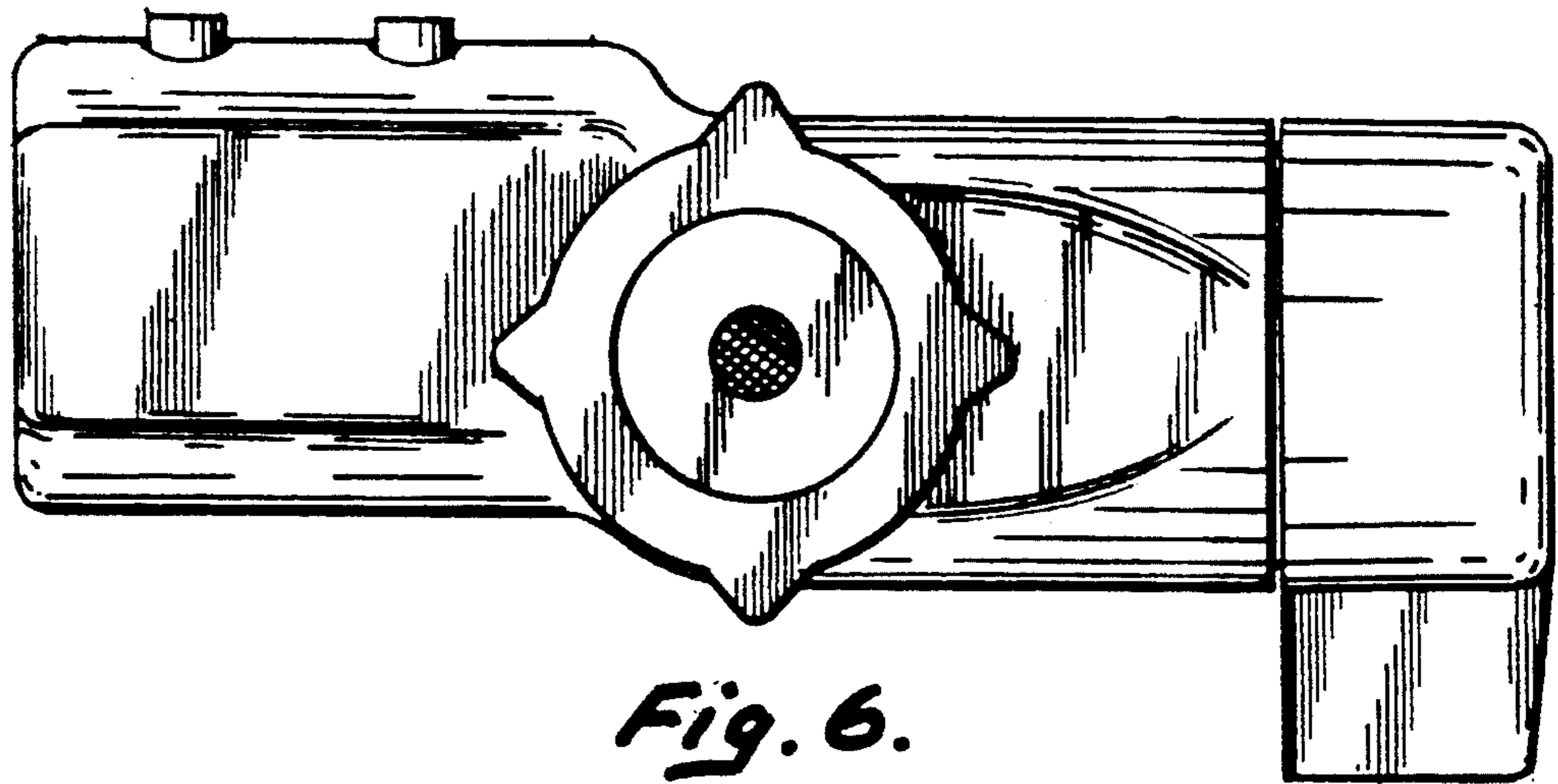


Fig. 6.

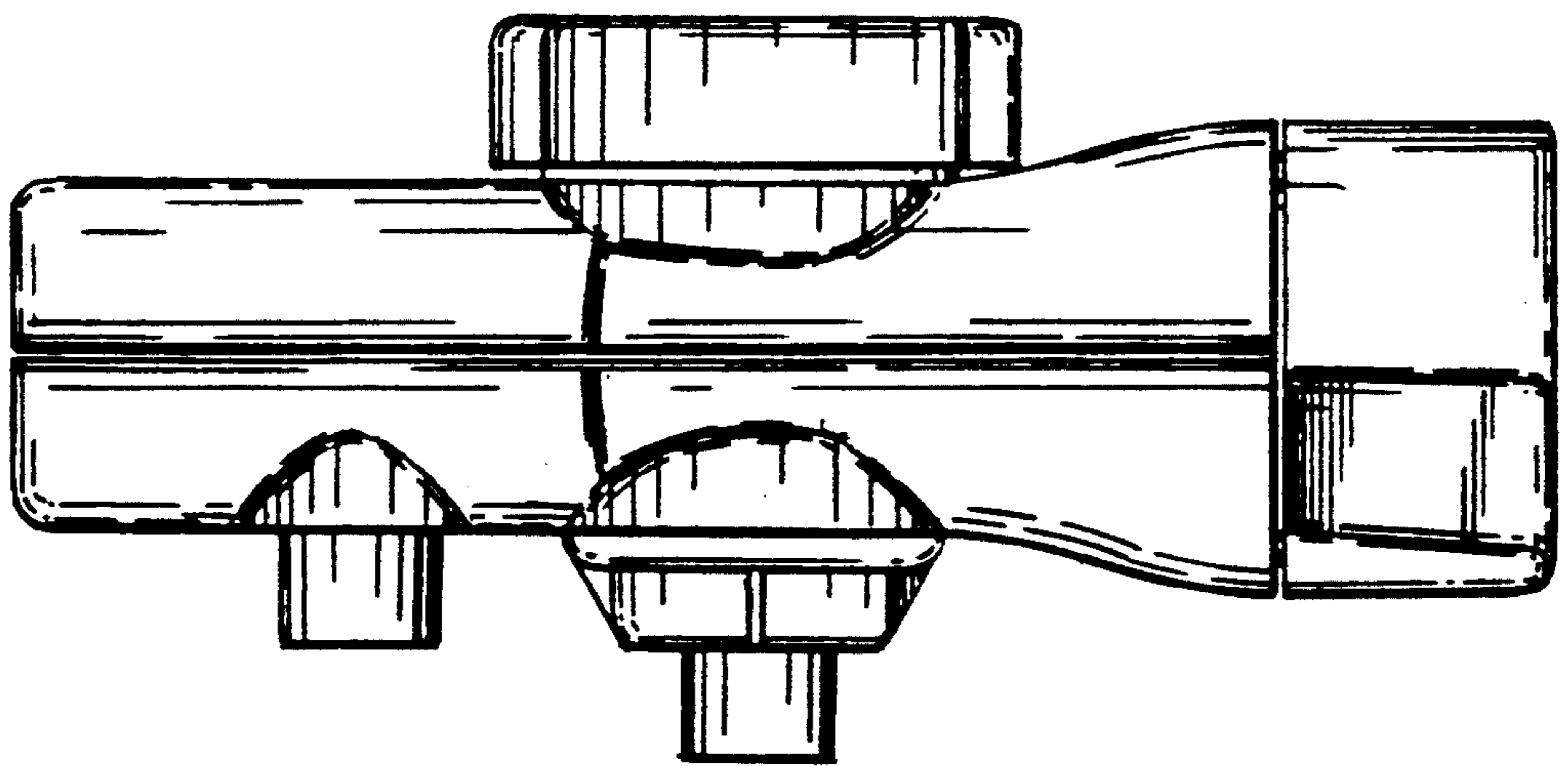


Fig. 7.