



US00D348721S

# United States Patent [19]

Nägel

[11] Patent Number: **Des. 348,721**

[45] Date of Patent: **\*\* Jul. 12, 1994**

## [54] CONTROL VALVE HOUSING

[75] Inventor: **Heinz Nägel**, Daun, Fed. Rep. of Germany

[73] Assignee: **Arca Regler GmbH**, Tönisvorst, Fed. Rep. of Germany

[\*\*] Term: **14 Years**

[21] Appl. No.: **872,697**

[22] Filed: **Apr. 23, 1992**

## [30] Foreign Application Priority Data

Oct. 25, 1991 [DE] Fed. Rep. of Germany ..... 9107544  
 [52] U.S. Cl. .... **D23/233**  
 [58] Field of Search ..... 137/202, 203, 504, 513.3,  
 137/517; 251/30.02, 129.08, 129.18, 129.21,  
 335.3, 342, 61, 61.2, 61.3, 61.5; D23/233-237,  
 244-249

## [56] References Cited

### U.S. PATENT DOCUMENTS

D. 224,106	7/1972	Baranowski, Jr. ....	D23/235
498,535	5/1893	Dixon .....	251/61
2,333,805	11/1943	Matheson .....	251/61
2,698,729	1/1955	Cox et al. ....	251/61.5 X
2,832,573	4/1958	Rees .....	251/61

*Primary Examiner*—Stella Reid  
*Assistant Examiner*—Eric Watterson  
*Attorney, Agent, or Firm*—Joseph W. Berenato, III

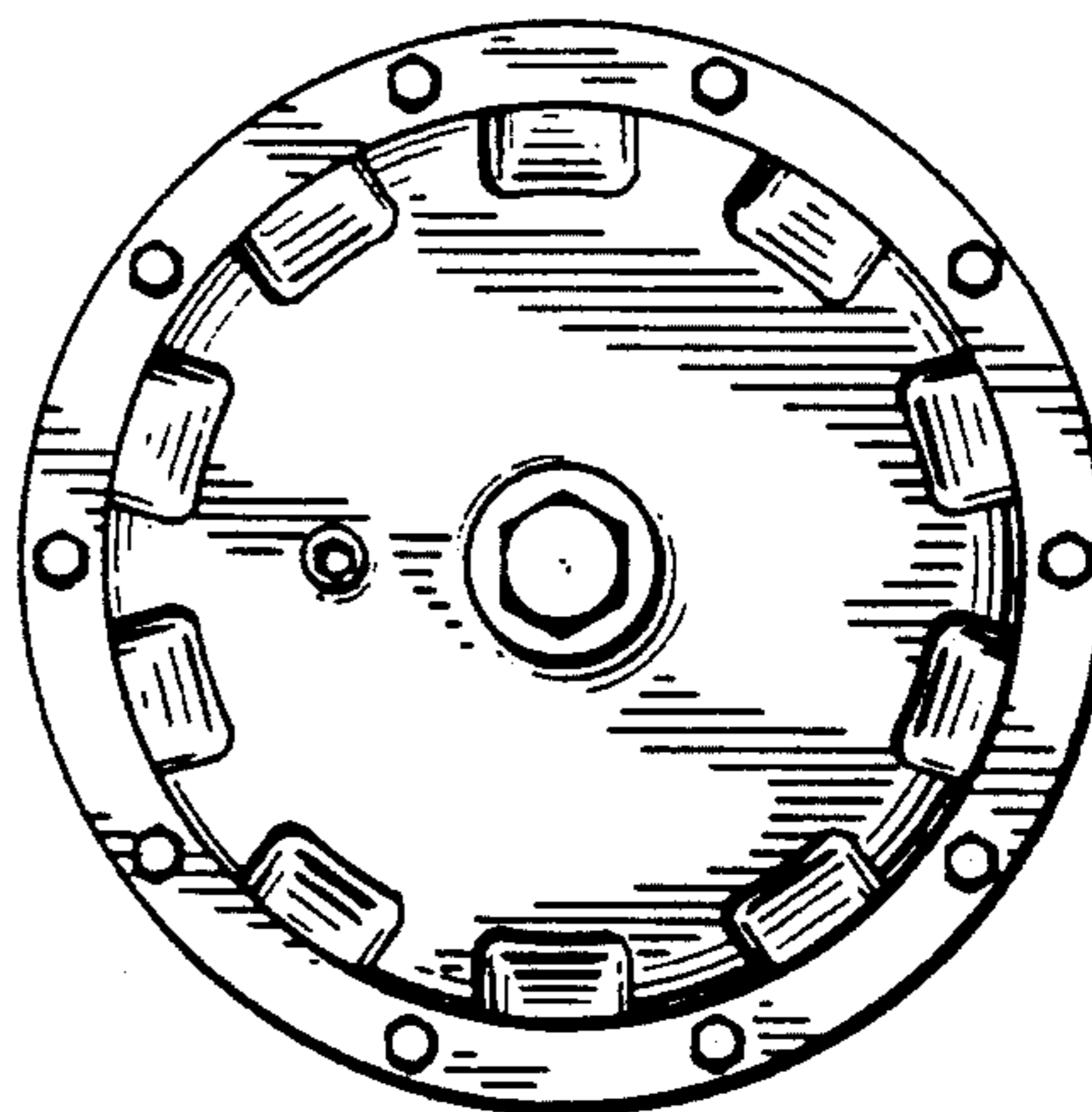
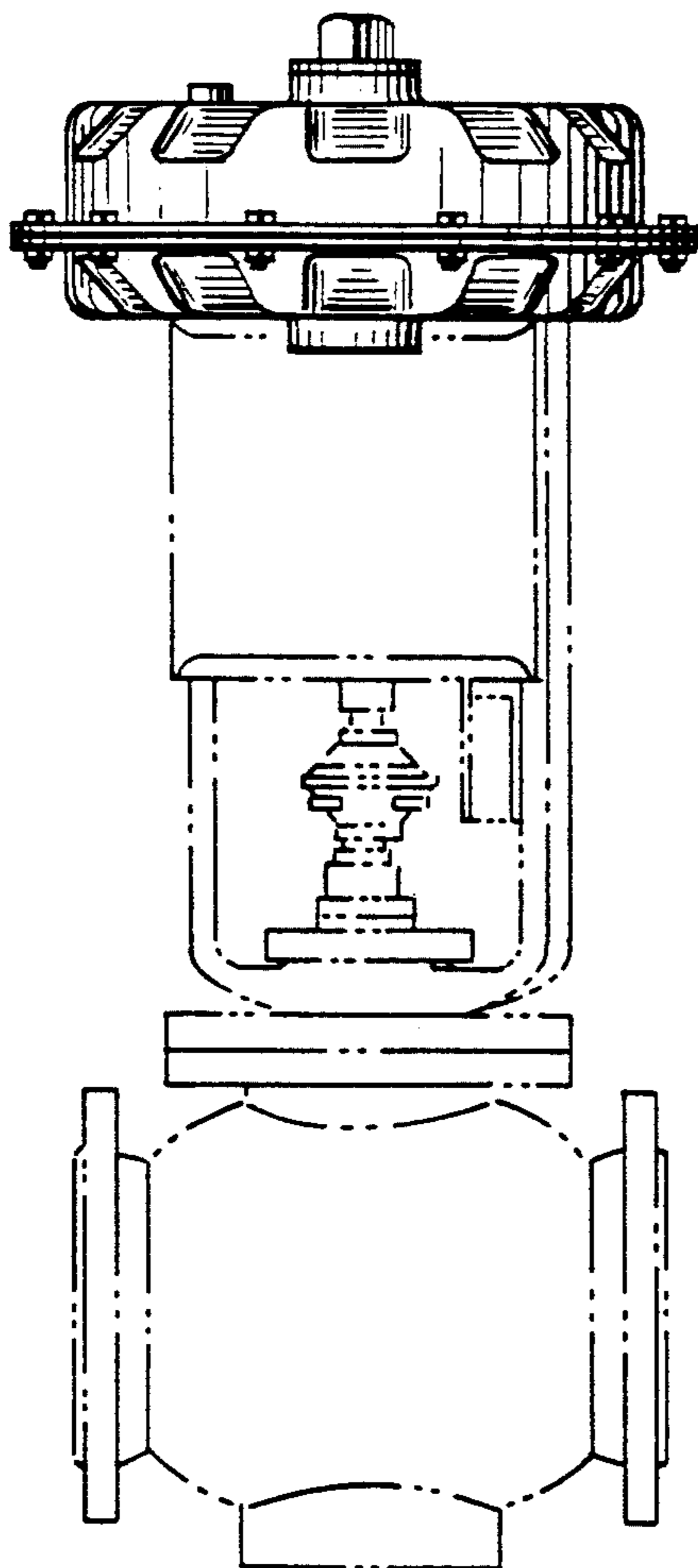
## [57] CLAIM

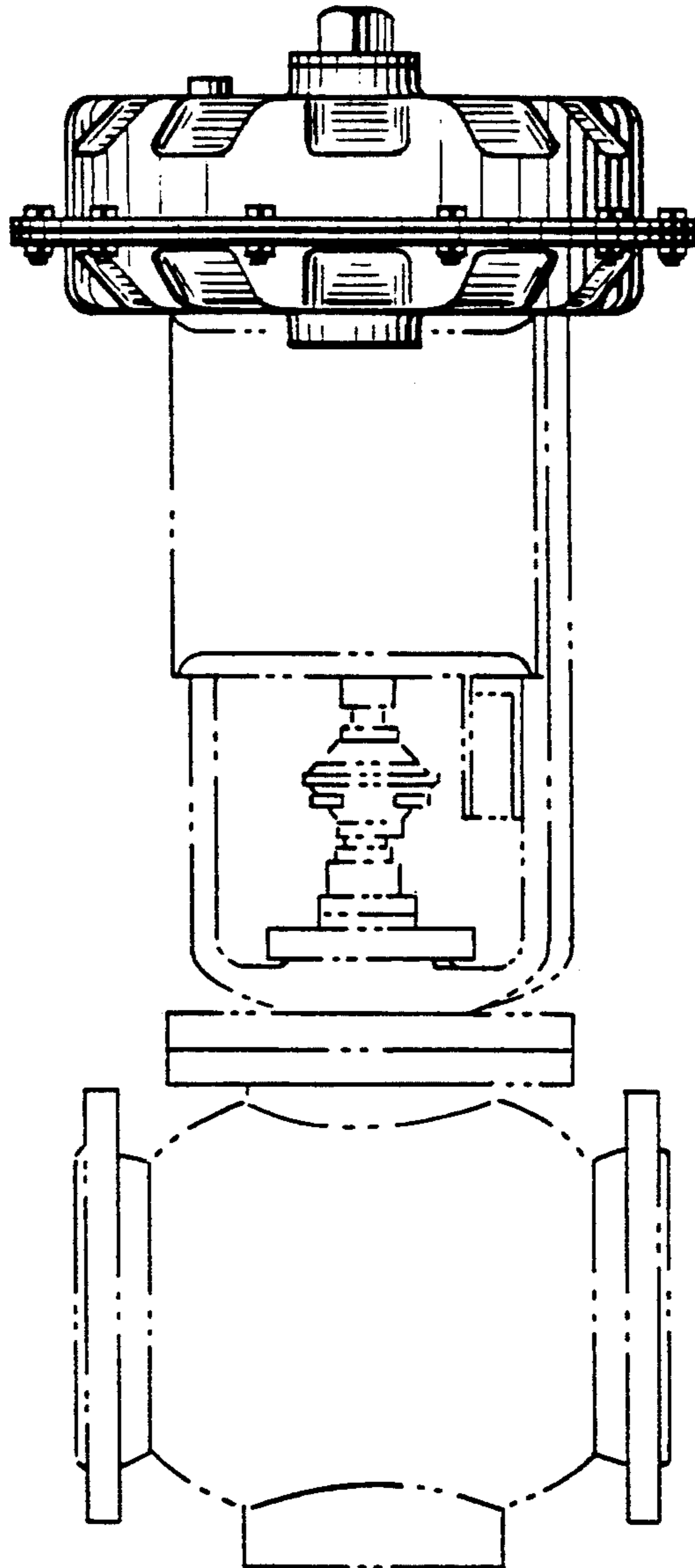
The ornamental design for a control valve housing, as shown and described.

## DESCRIPTION

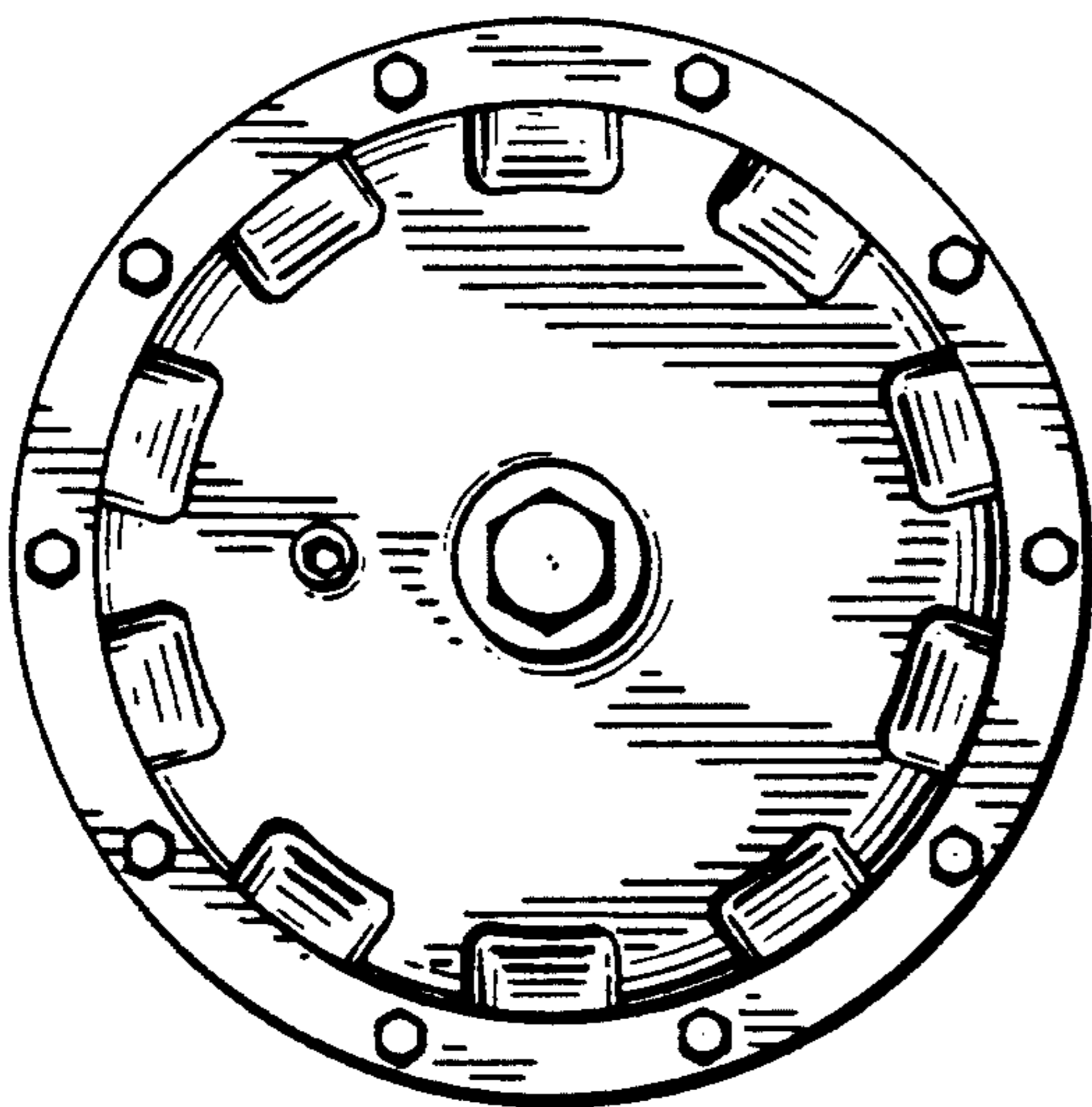
FIG. 1 is a side elevational view of a control valve housing showing my new design, with all other sides being identical to that shown. The broken line showing is for illustrative purposes only and forms no part of the claimed design;

FIG. 2 is a top plan view of my design; and, FIG. 3 is a bottom plan view of my design.

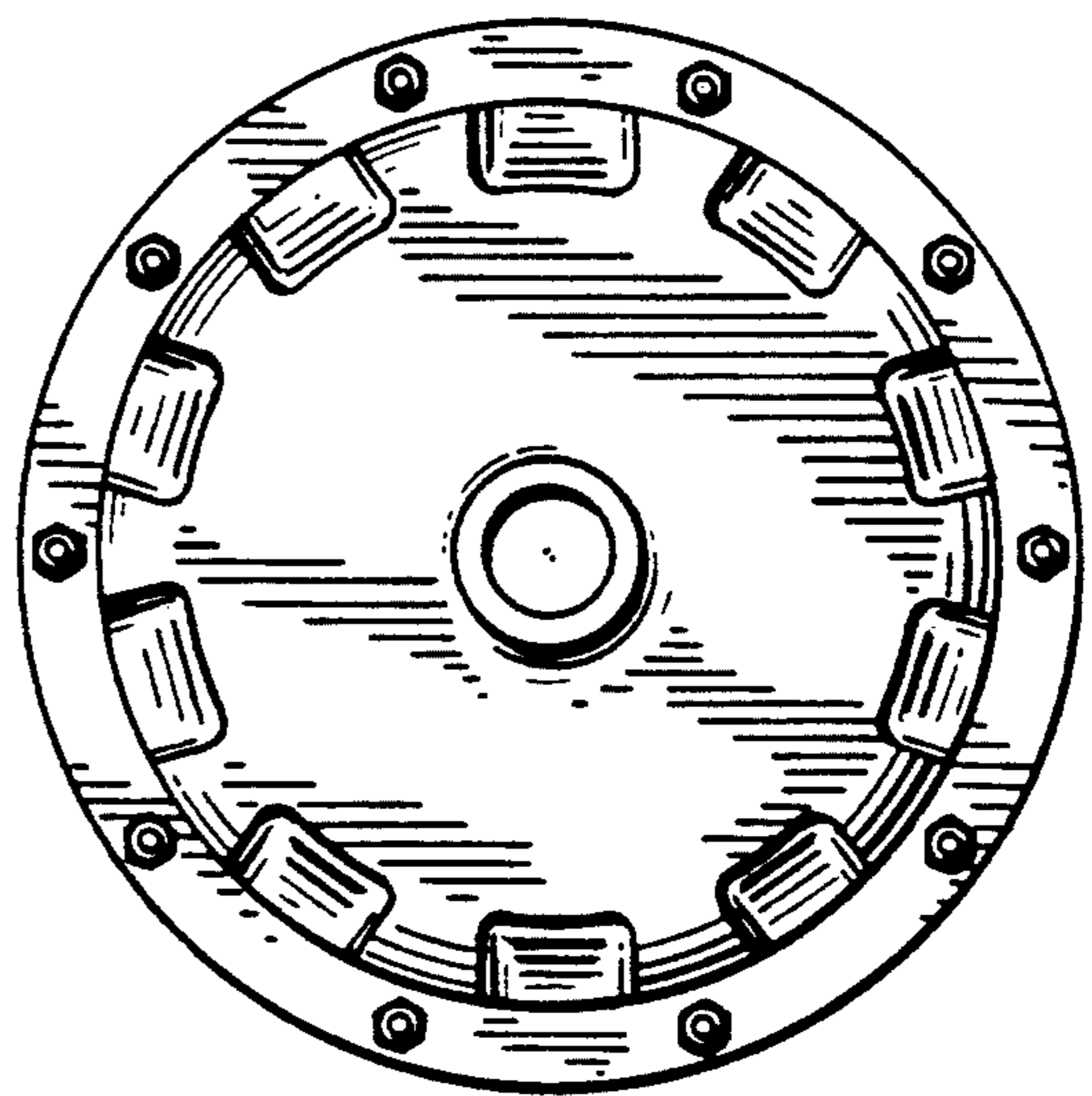




*FIG. 1*



*FIG. 2*



*FIG. 3*