



US00D348720S

# United States Patent [19]

Haug et al.

[11] Patent Number: **Des. 348,720**

[45] Date of Patent: **\*\* Jul. 12, 1994**

[54] **HAND HELD SHOWER HEAD**

D. 334,048 3/1993 Ben-Zur ..... D23/223  
5,090,624 2/1992 Rogers ..... 239/447

[75] Inventors: **Andreas Haug; Thomas Schoenherr,**  
both of Stuttgart, Fed. Rep. of  
Germany

[73] Assignee: **Hans Grohe GmbH & Co., KG,** Fed.  
Rep. of Germany

[\*\*] Term: **14 Years**

[21] Appl. No.: **8,876**

[22] Filed: **May 28, 1993**

[30] **Foreign Application Priority Data**

Dec. 2, 1992 [DE] Fed. Rep. of Germany ..... 9208930

[52] U.S. Cl. .... **D23/223**

[58] Field of Search ..... 239/276, 280, 281-283,  
239/288.5, 443-449, 456-460, 525, 556-559;  
4/903; D23/213, 223-229

[56] **References Cited**

**U.S. PATENT DOCUMENTS**

D. 241,546 9/1976 Rizzuto ..... D23/223  
D. 328,634 8/1992 Ward ..... D23/223  
D. 332,303 1/1993 Hose ..... D23/223

**OTHER PUBLICATIONS**

Hans Grohe Catalog, "Brausen", Jul. 1992.  
Hans Grohe Catalog, "Brausen", including cover page,  
Feb. 1993.

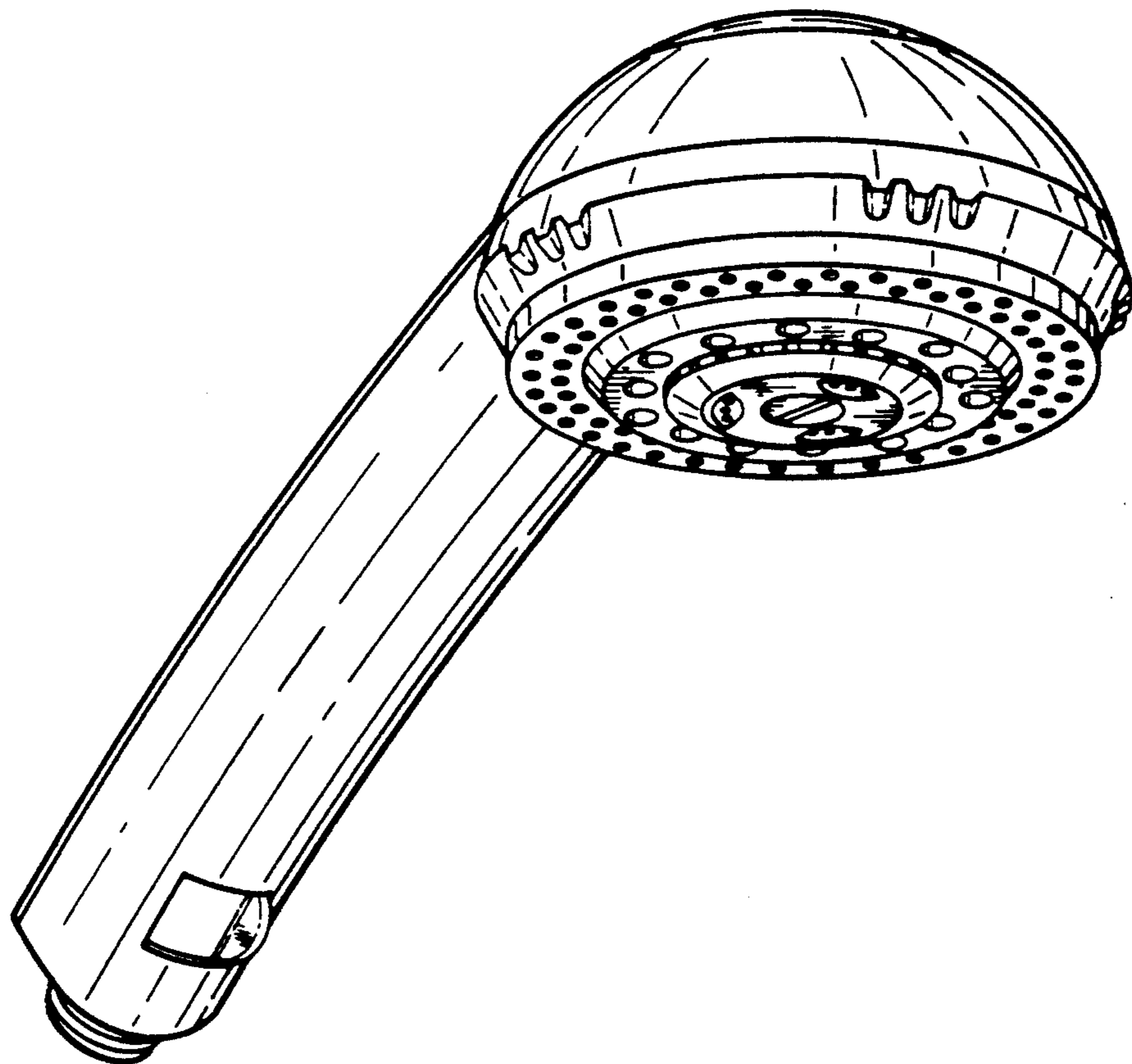
*Primary Examiner*—James M. Gandy  
*Assistant Examiner*—Robin Taylor  
*Attorney, Agent, or Firm*—Eckert Seamans Cherin &  
Mellott

[57] **CLAIM**

The ornamental design for a hand held shower head, as  
shown and described.

**DESCRIPTION**

FIG. 1 is a side perspective view of a hand held shower  
head showing our new design;  
FIG. 2 is a side elevation view thereof;  
FIG. 3 is a bottom plan view thereof;  
FIG. 4 is a top plan view thereof;  
FIG. 5 is an opposite side elevation view thereof;  
FIG. 6 is a front elevation view thereof; and,  
FIG. 7 is a rear elevation view thereof.



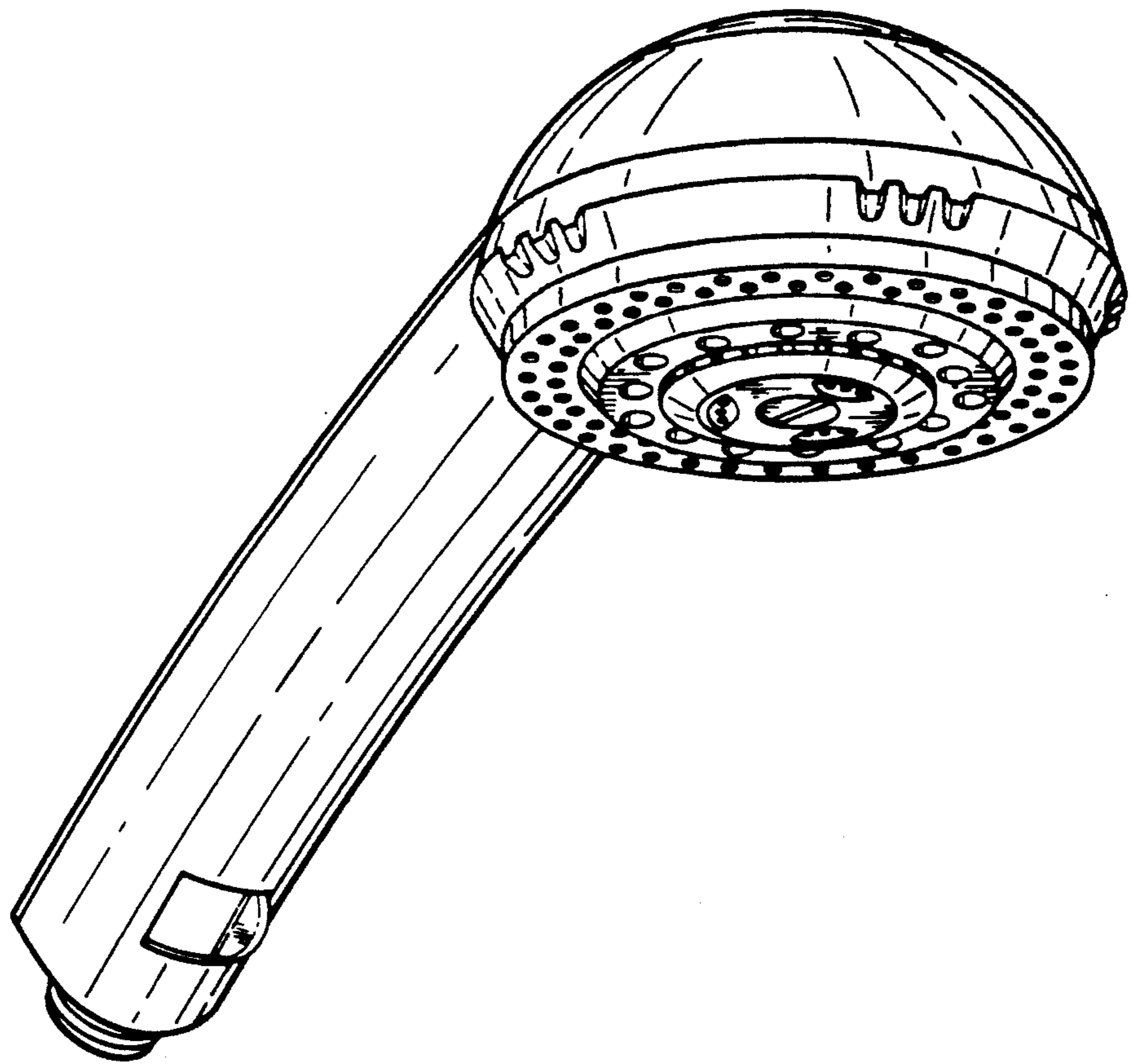


Fig. 1

Fig. 2

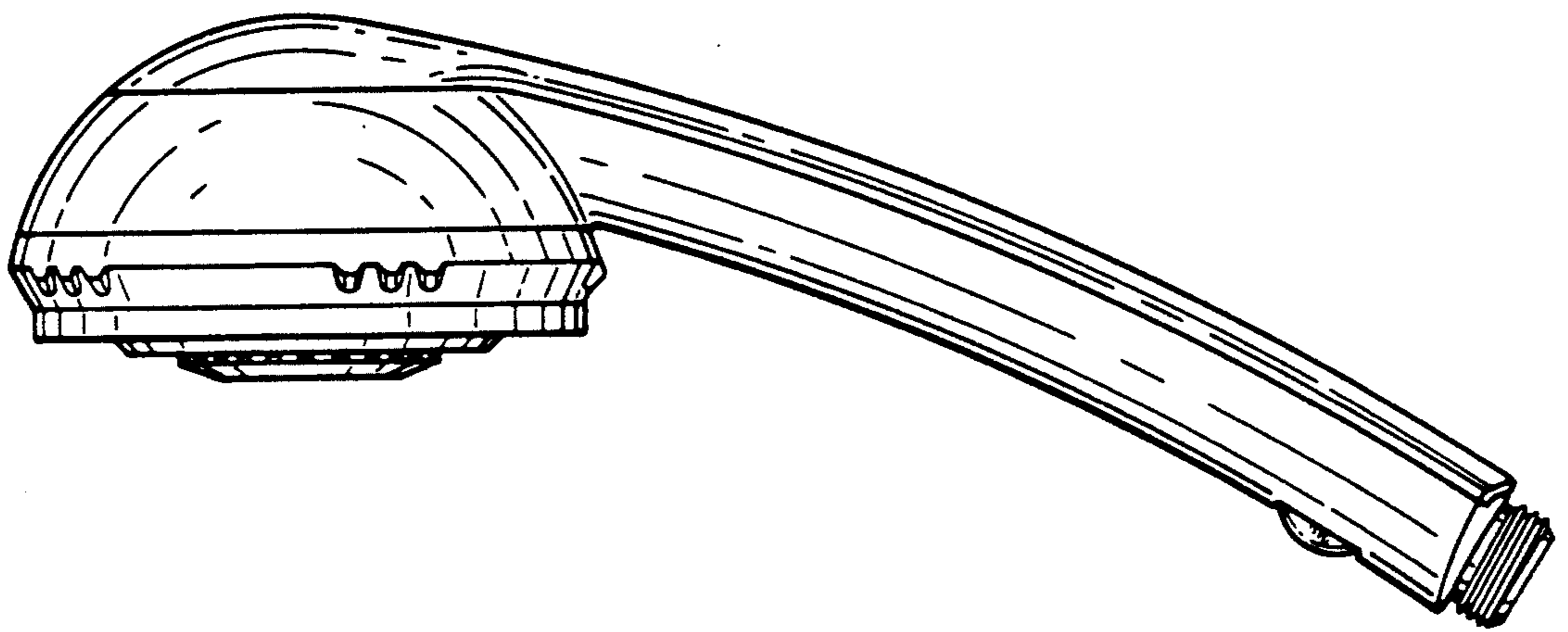


Fig. 3

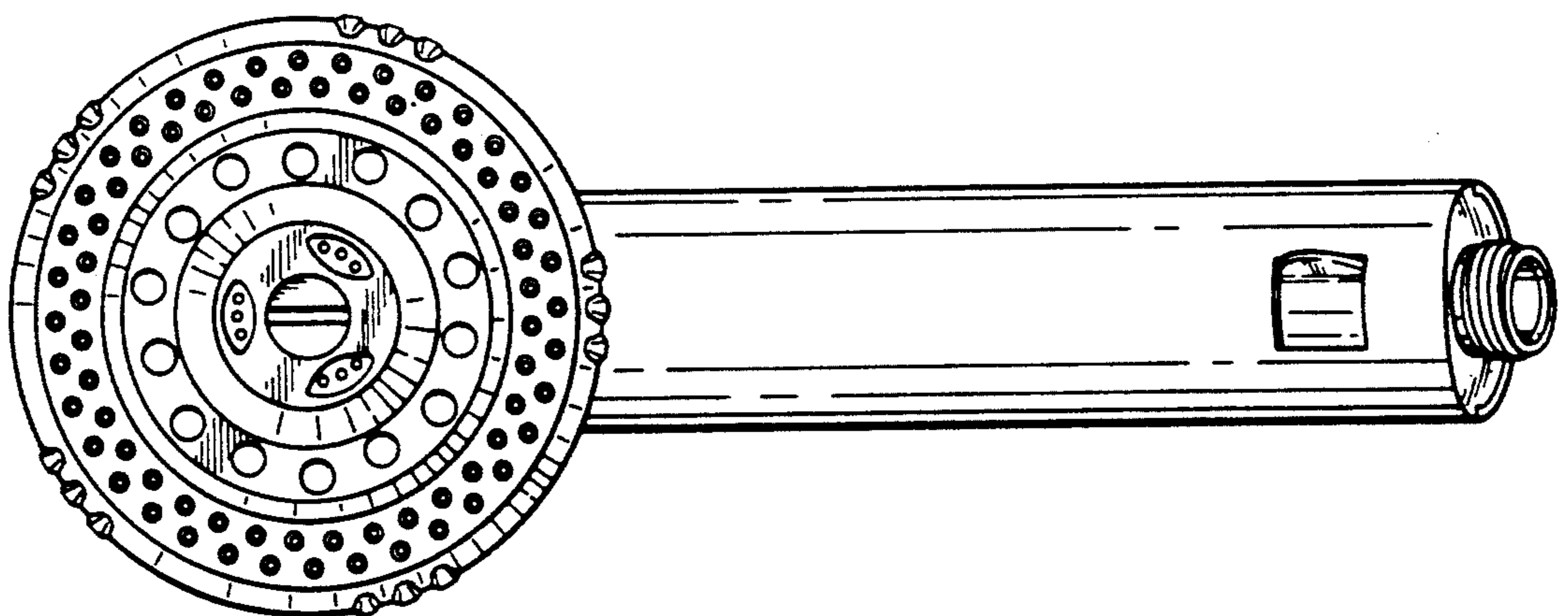


Fig. 4

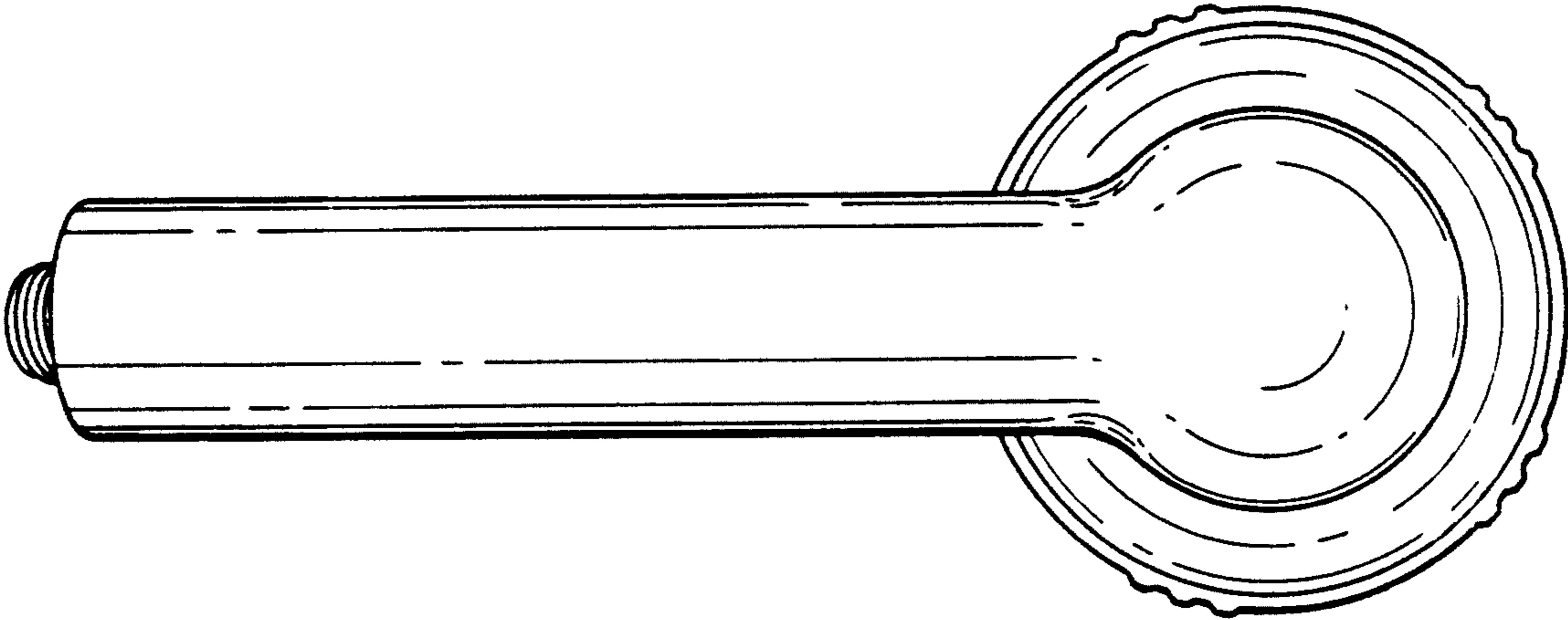


Fig. 5

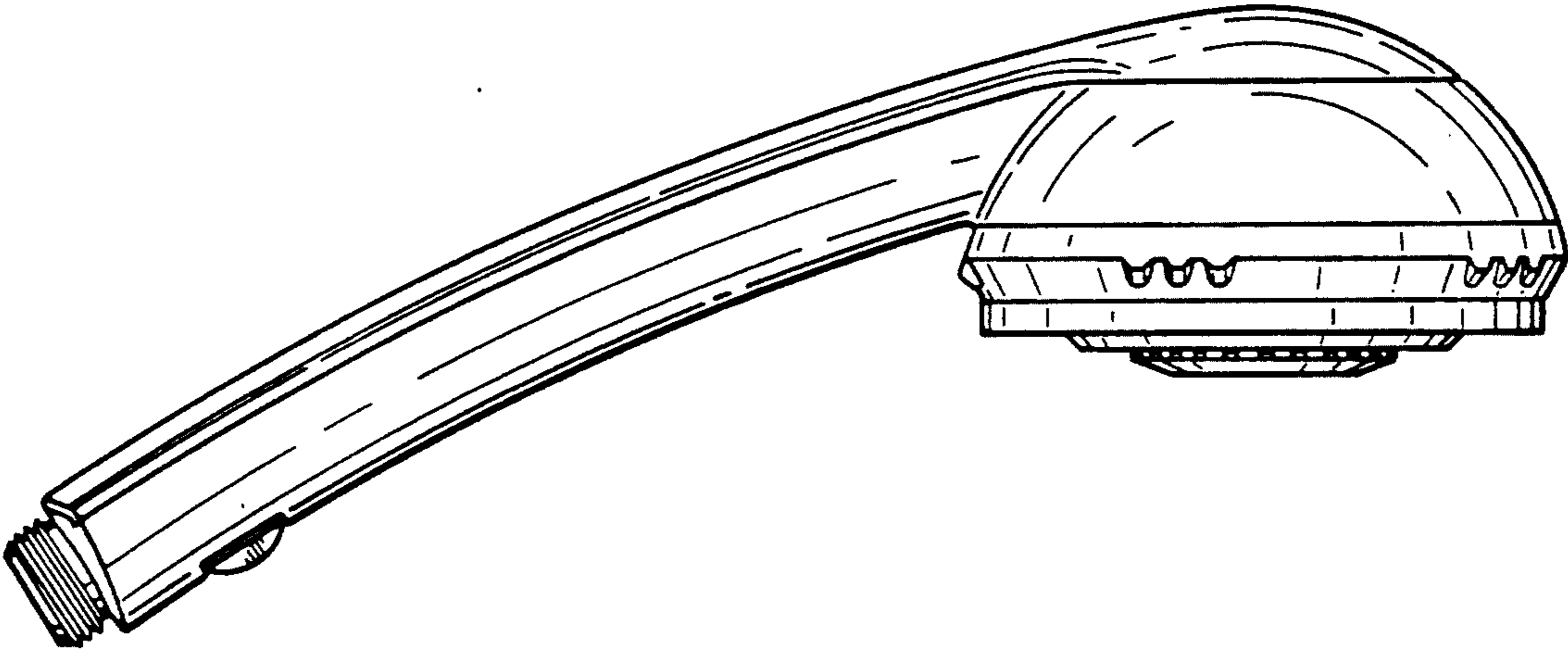




Fig. 6

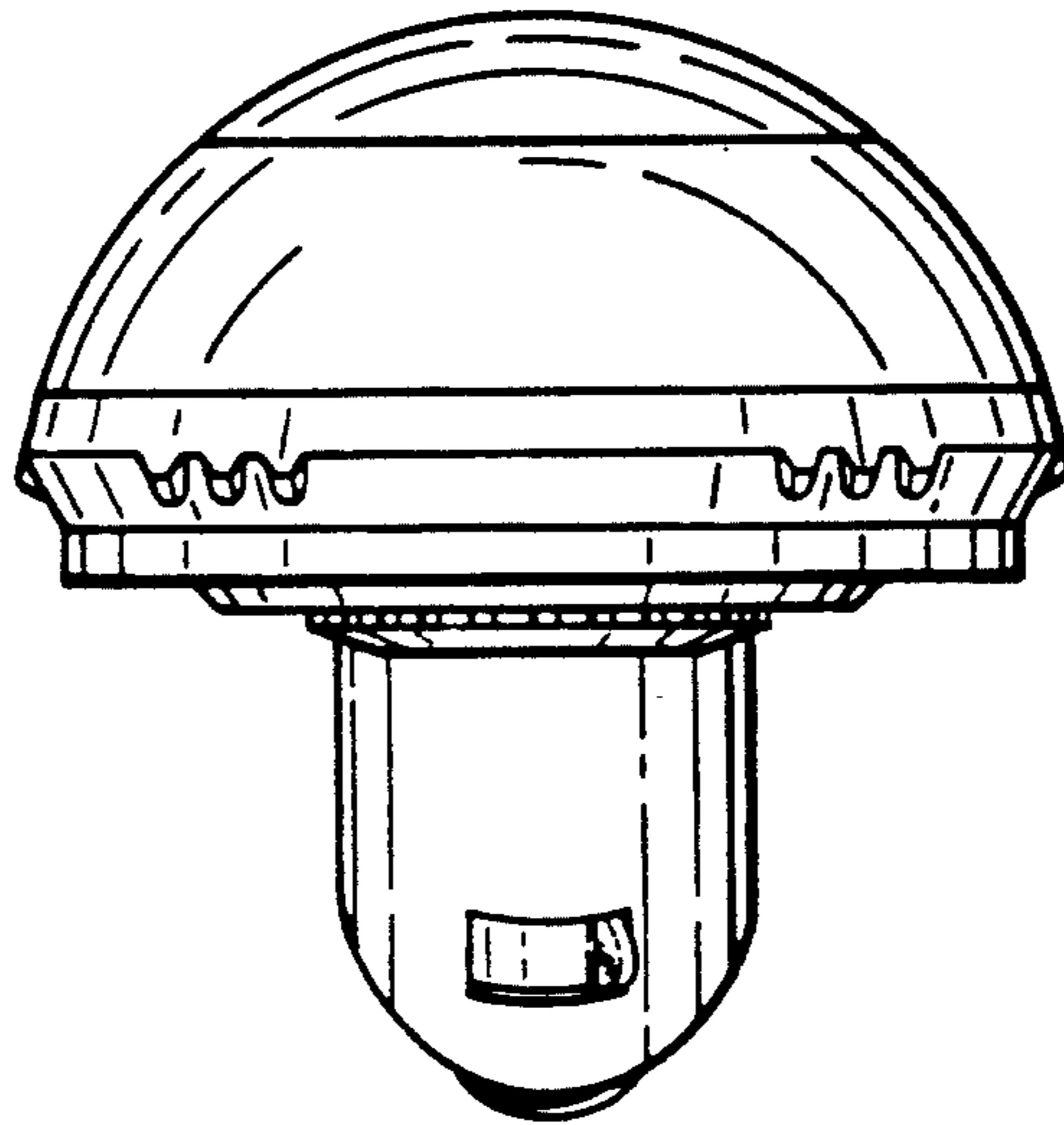


Fig. 7

