



US00D348718S

# United States Patent [19]

[11] Patent Number: **Des. 348,718**

Garrison

[45] Date of Patent: **\*\* Jul. 12, 1994**

[54] **HOUSING FOR A SHOWER HEAD**

D. 296,002 5/1988 Haug et al. .... D23/229

[75] Inventor: **Kenric Garrison, Lorain, Ohio**

*Primary Examiner*—Wallace R. Burke

[73] Assignee: **Moen Incorporated, Elyria, Ohio**

*Assistant Examiner*—Robin V. Taylor

[\*\*] Term: **14 Years**

*Attorney, Agent, or Firm*—Dorn, McEachran, Jambor & McEachran

[21] Appl. No.: **7,299**

[57] **CLAIM**

[22] Filed: **Apr. 19, 1993**

The ornamental design for a housing for a shower head, as shown and described.

[52] U.S. Cl. .... **D23/213**

[58] Field of Search ..... 239/276, 288.5, 280-281, 239/443-449, 456-460, 525, 556-559; 4/615, 653, 596, 520, 903; D23/213, 223-229

**DESCRIPTION**

FIG. 1 is a front view of a housing for a shower head showing my new design; FIG. 2 is a right side view thereof; FIG. 3 is a left side view thereof; FIG. 4 is a top view thereof; and, FIG. 5 is a bottom view thereof.

[56] **References Cited**

**U.S. PATENT DOCUMENTS**

- D. 217,607 5/1970 Young ..... D23/229
- D. 260,809 9/1981 Fleischmann et al. .... D23/229
- D. 282,198 1/1986 Shames et al. .... D23/229

The broken line showing is for illustrative purposes only and forms no part of the claimed design.

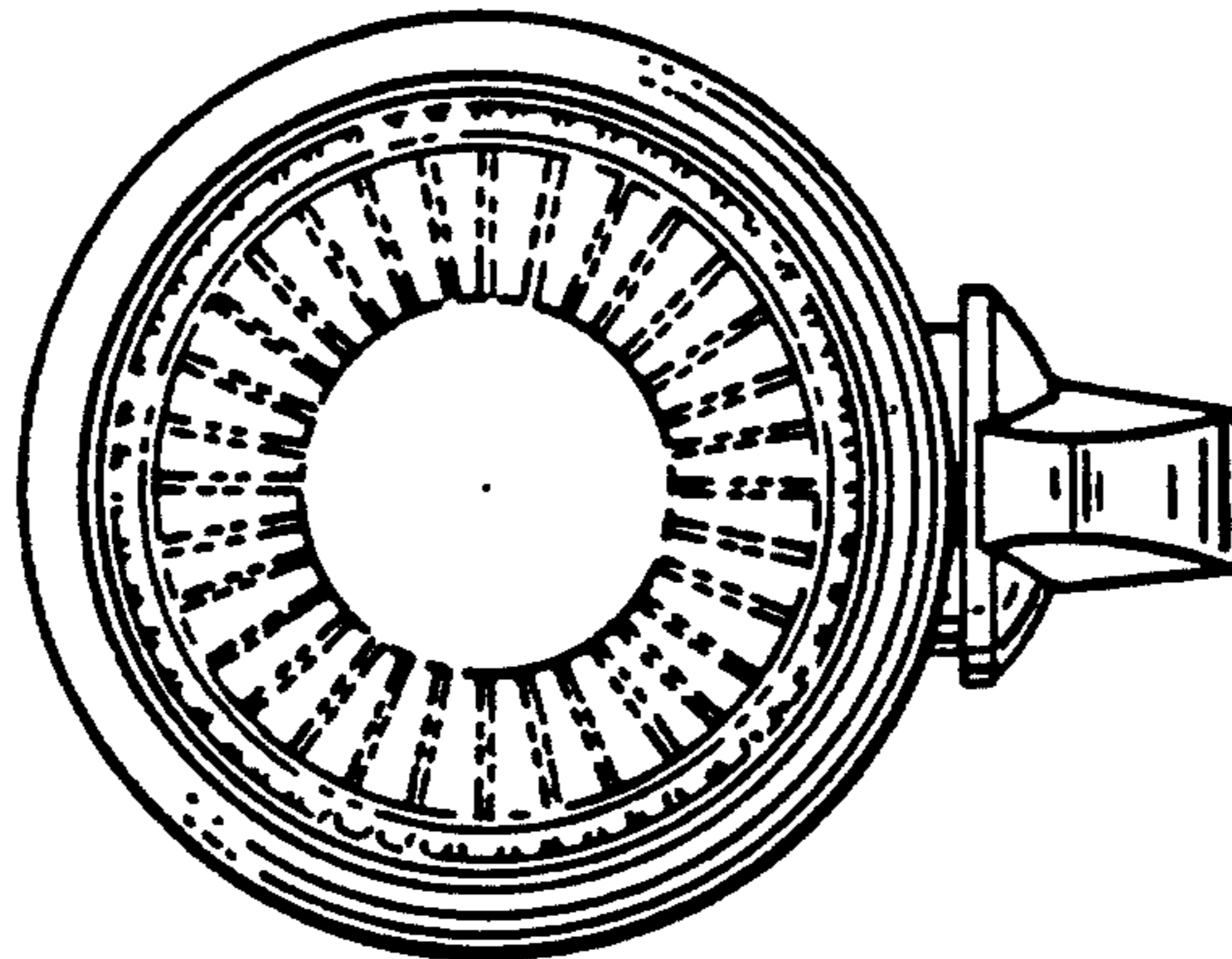
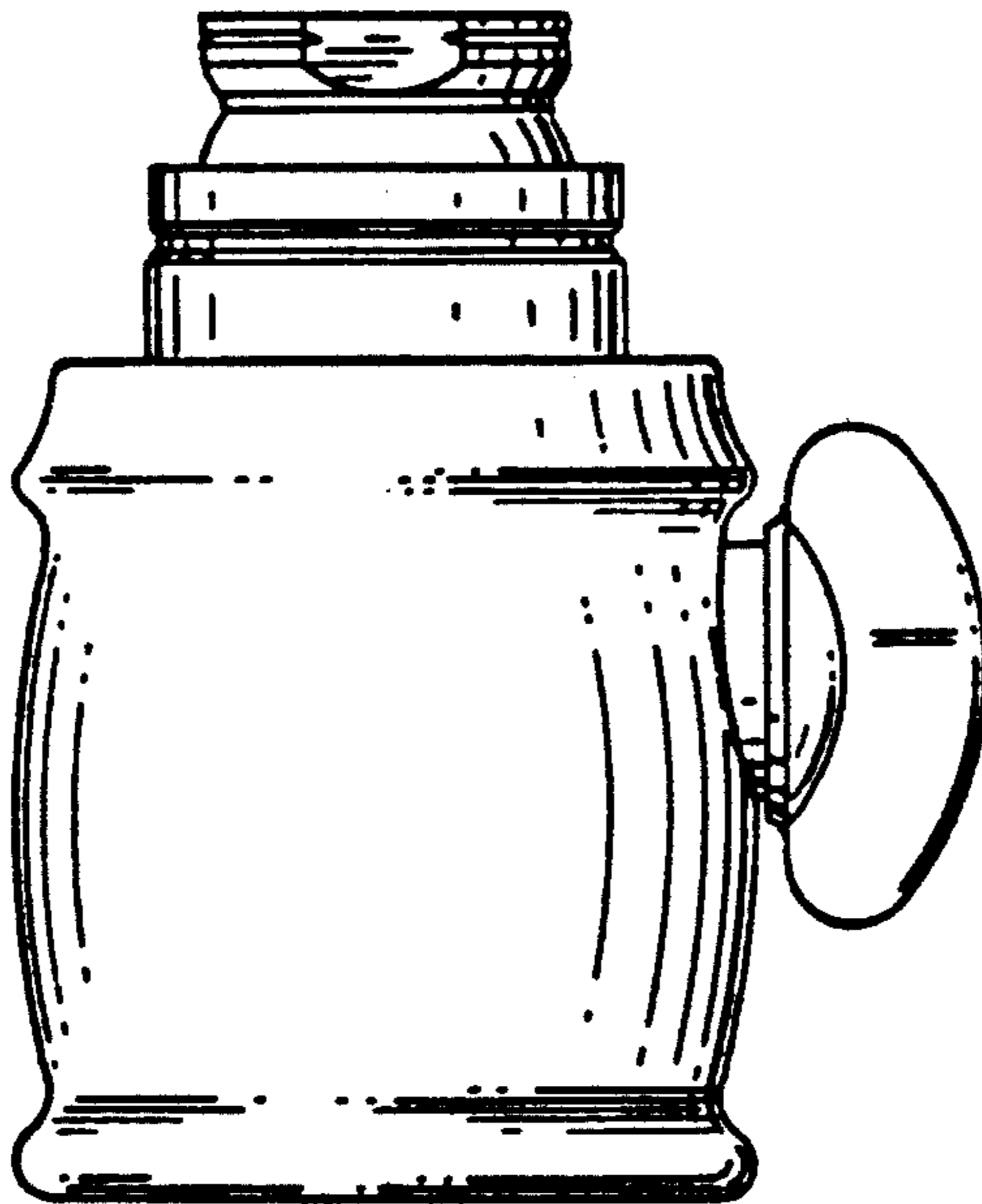


Fig. 1.

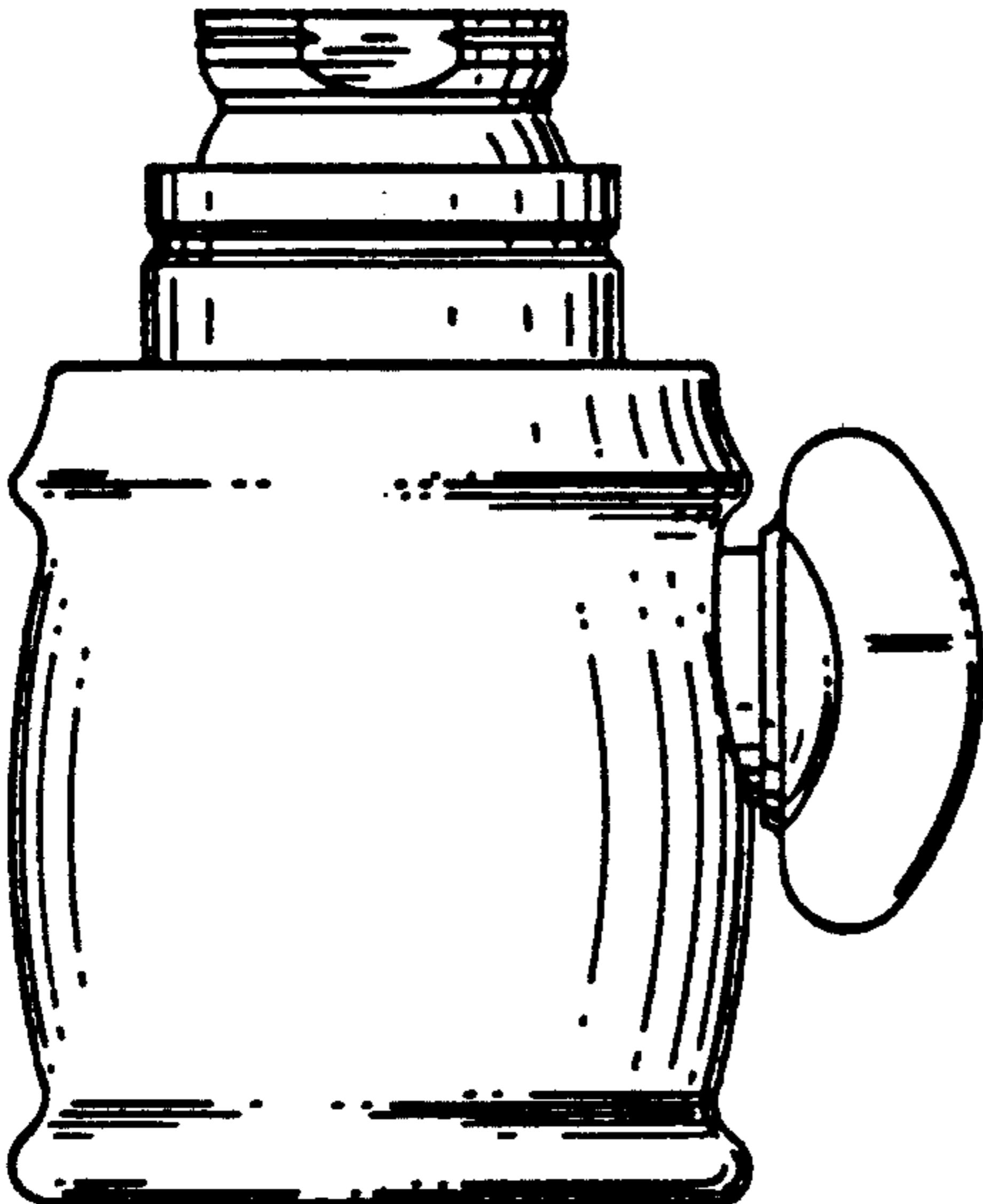


Fig. 2.

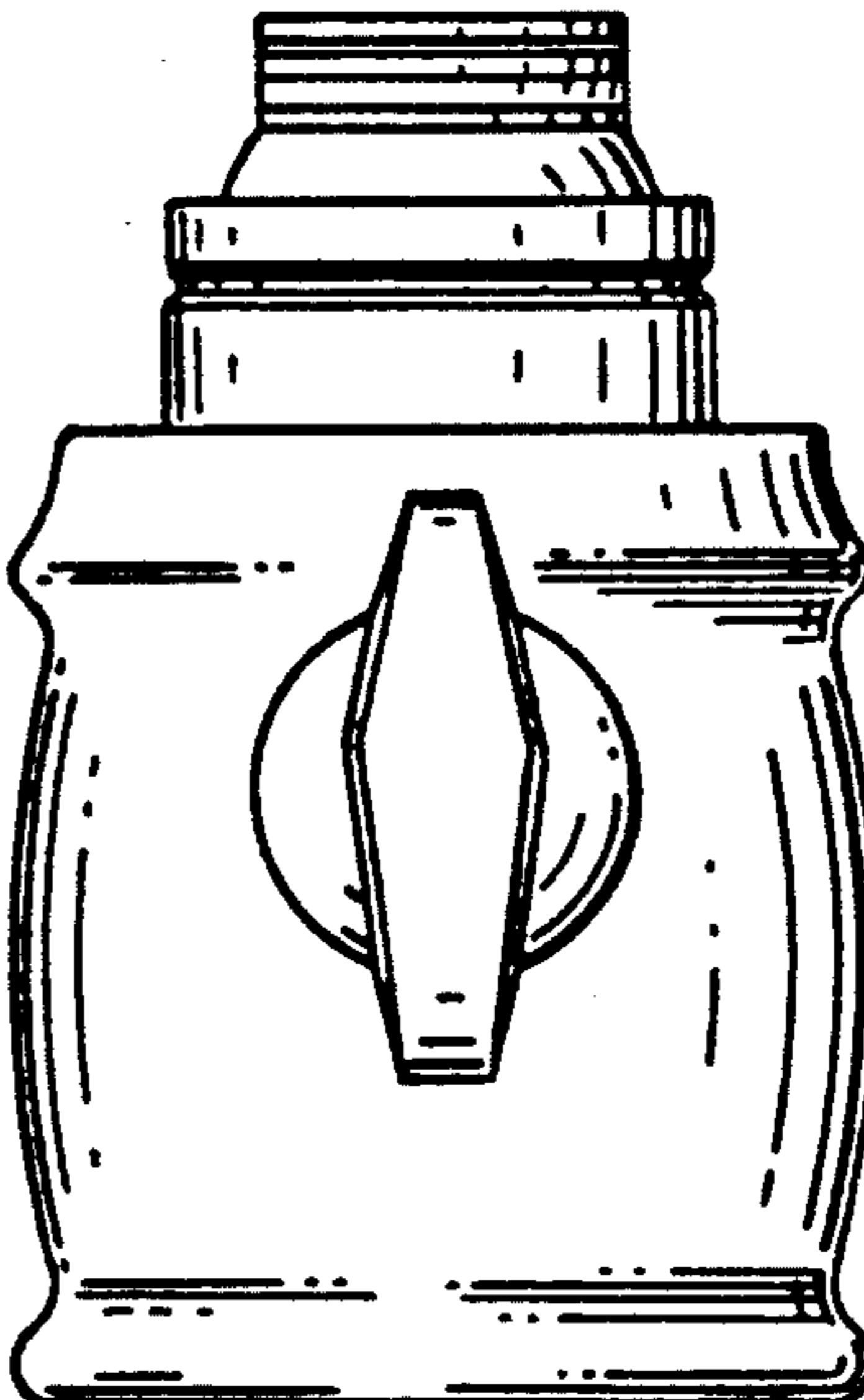


Fig. 4.

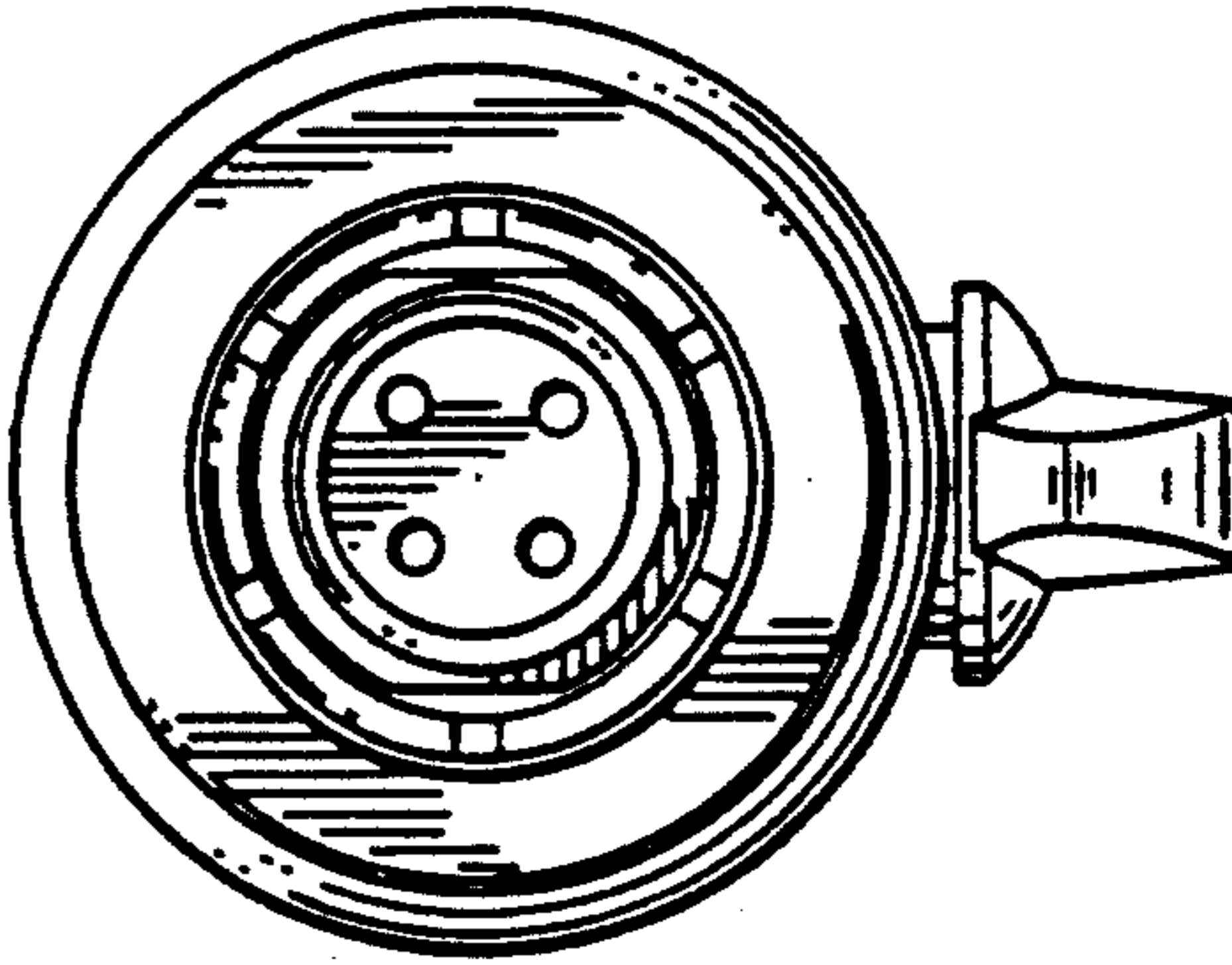


Fig. 5.

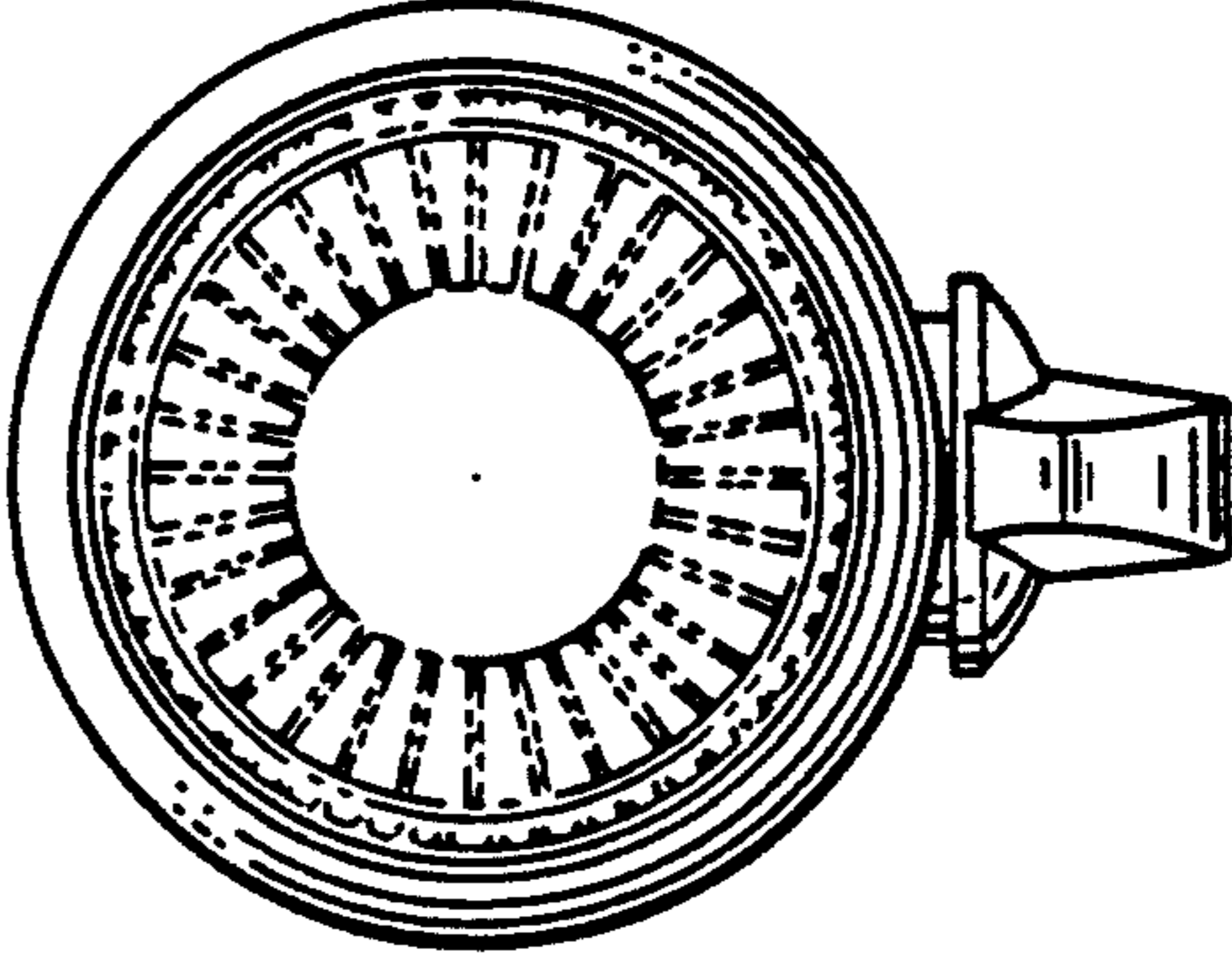


Fig. 3.

