



US00D348717S

United States Patent [19]

[11] Patent Number: **Des. 348,717**

Ader

[45] Date of Patent: **** Jul. 12, 1994**

[54] **LOCKING ROD HOLDER**

[75] Inventor: **Gary B. Ader**, Spirit Lake, Iowa

[73] Assignee: **Berkley, Inc.**, Spirit Lake, Iowa

[**] Term: **14 Years**

[21] Appl. No.: **951,691**

[22] Filed: **Sep. 23, 1992**

[52] U.S. Cl. **D22/147**

[58] Field of Search **43/21.2; 248/514, 515, 248/530, 520; D22/147**

[56] **References Cited**

U.S. PATENT DOCUMENTS

D. 143,952	2/1946	Curtis	D22/147
D. 230,588	3/1974	Miller	D22/147
D. 307,170	4/1990	Scott	D22/147
2,602,618	7/1952	Cohen	43/21.2
3,154,274	10/1964	Hillcourt	D22/147 X
4,366,640	1/1983	Clapp	43/21.2

Primary Examiner—A. Hugo Word

Assistant Examiner—Doris V. Coles

Attorney, Agent, or Firm—Faegre & Benson

[57] **CLAIM**

The ornamental design for a locking rod holder, as shown and described.

DESCRIPTION

FIG. 1 is a perspective view of the subject of the design with the upper portion raised and locking ring open; FIG. 2 is a front elevational view thereof with the upper holder portion rotated and locked in horizontal axis and locking ring open; FIG. 2A is a view similar to that of FIG. 2 with locking ring closed; FIG. 3 is a rear elevational view thereof as shown in FIG. 2; FIG. 4 is a right side elevational view thereof; FIG. 5 is a left side elevational view thereof; FIG. 6 is a top plan view thereof; and, FIG. 7 is a bottom plan view thereof. The broken line showing of environment in FIGS. 1 and 2 is for illustrative purposes only and forms no part of the claimed design.

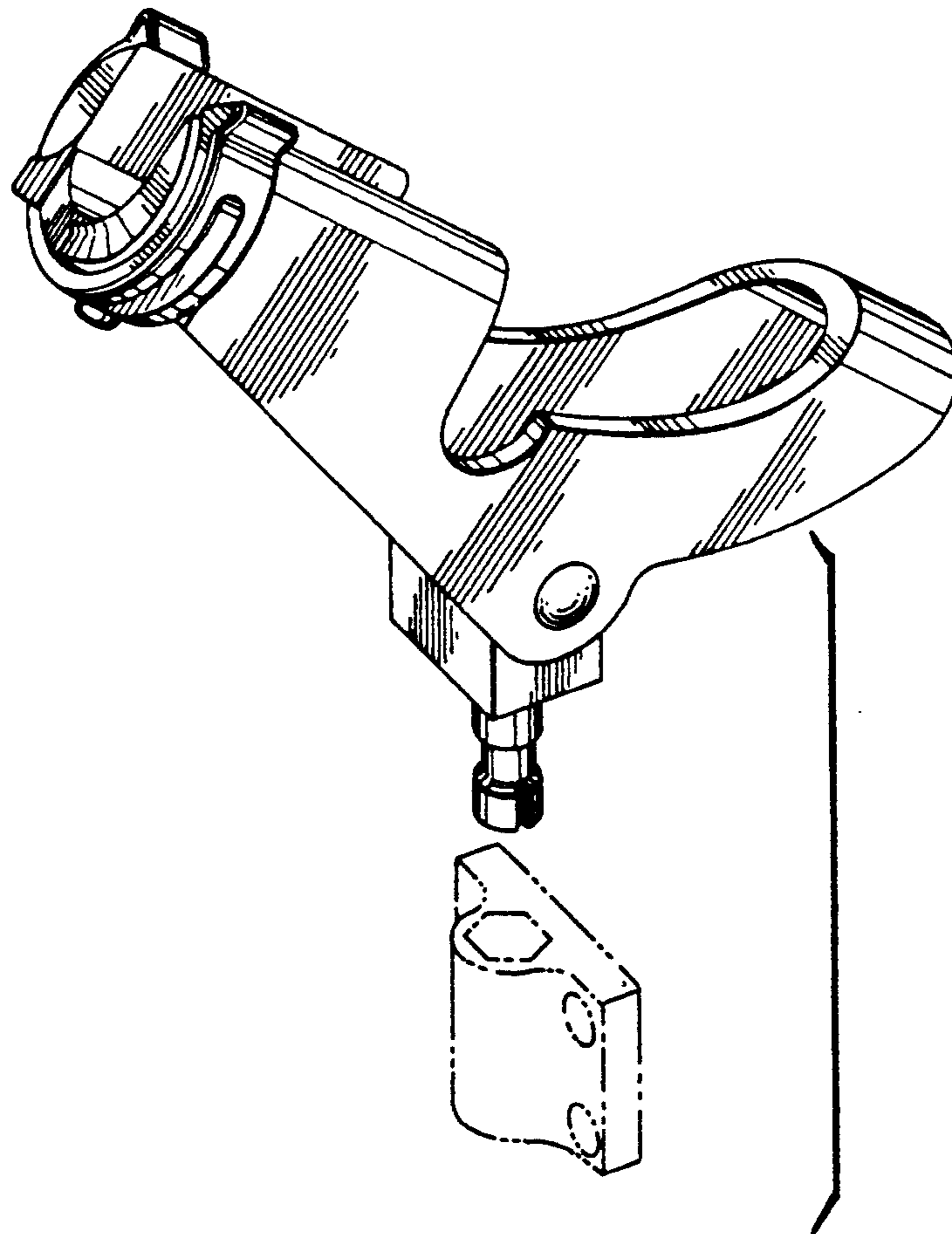


Fig. 1

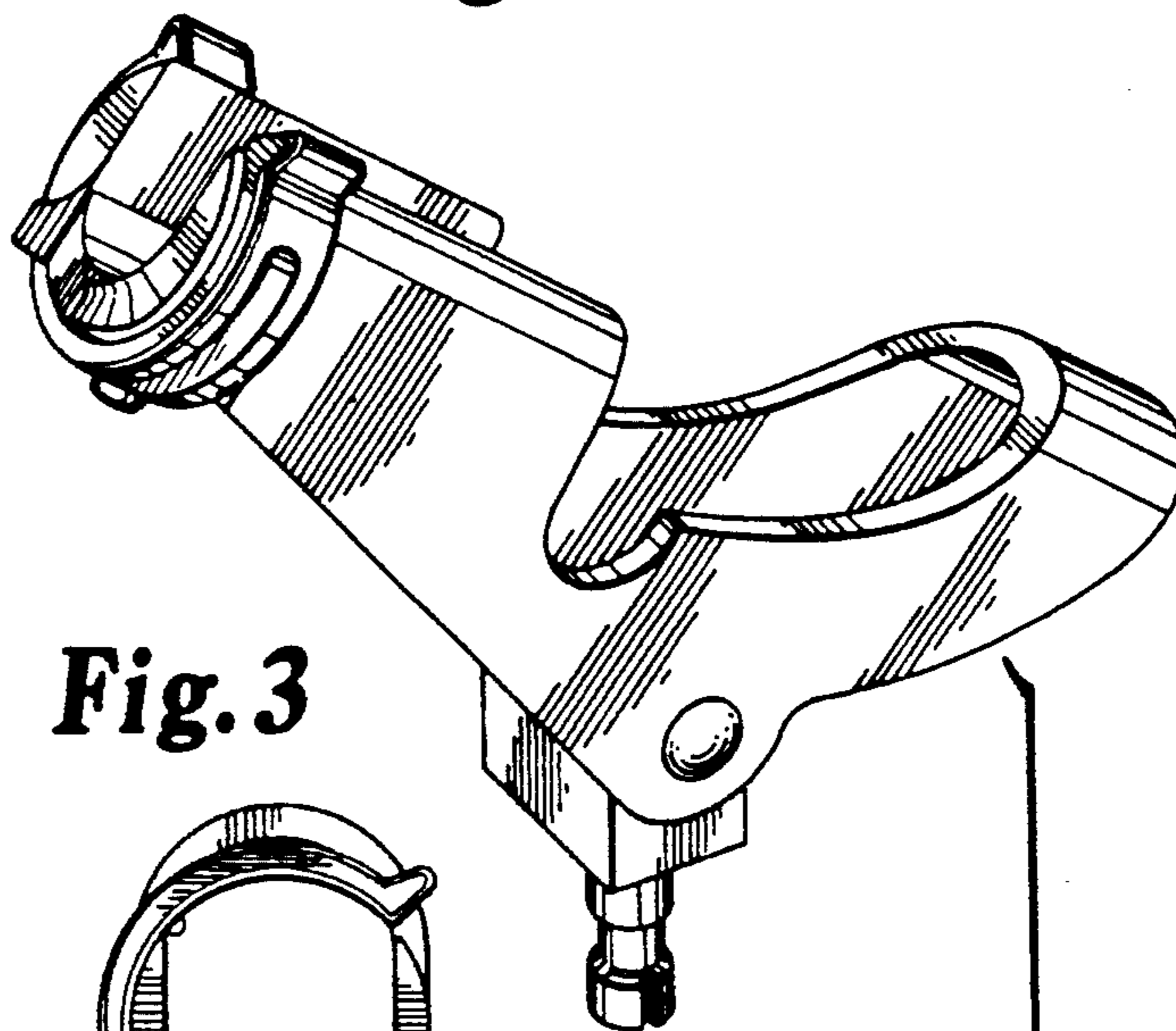


Fig. 2

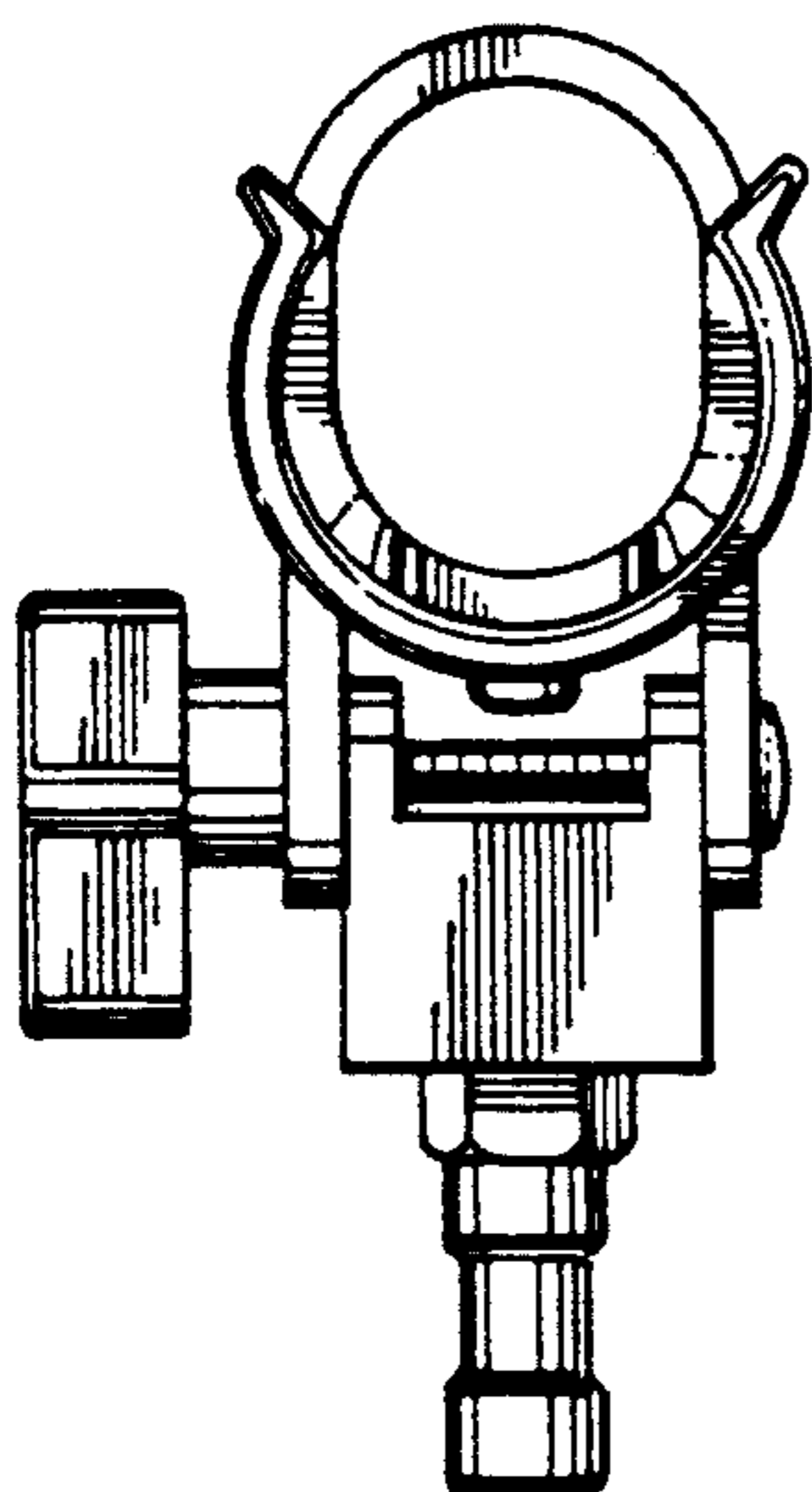


Fig. 3

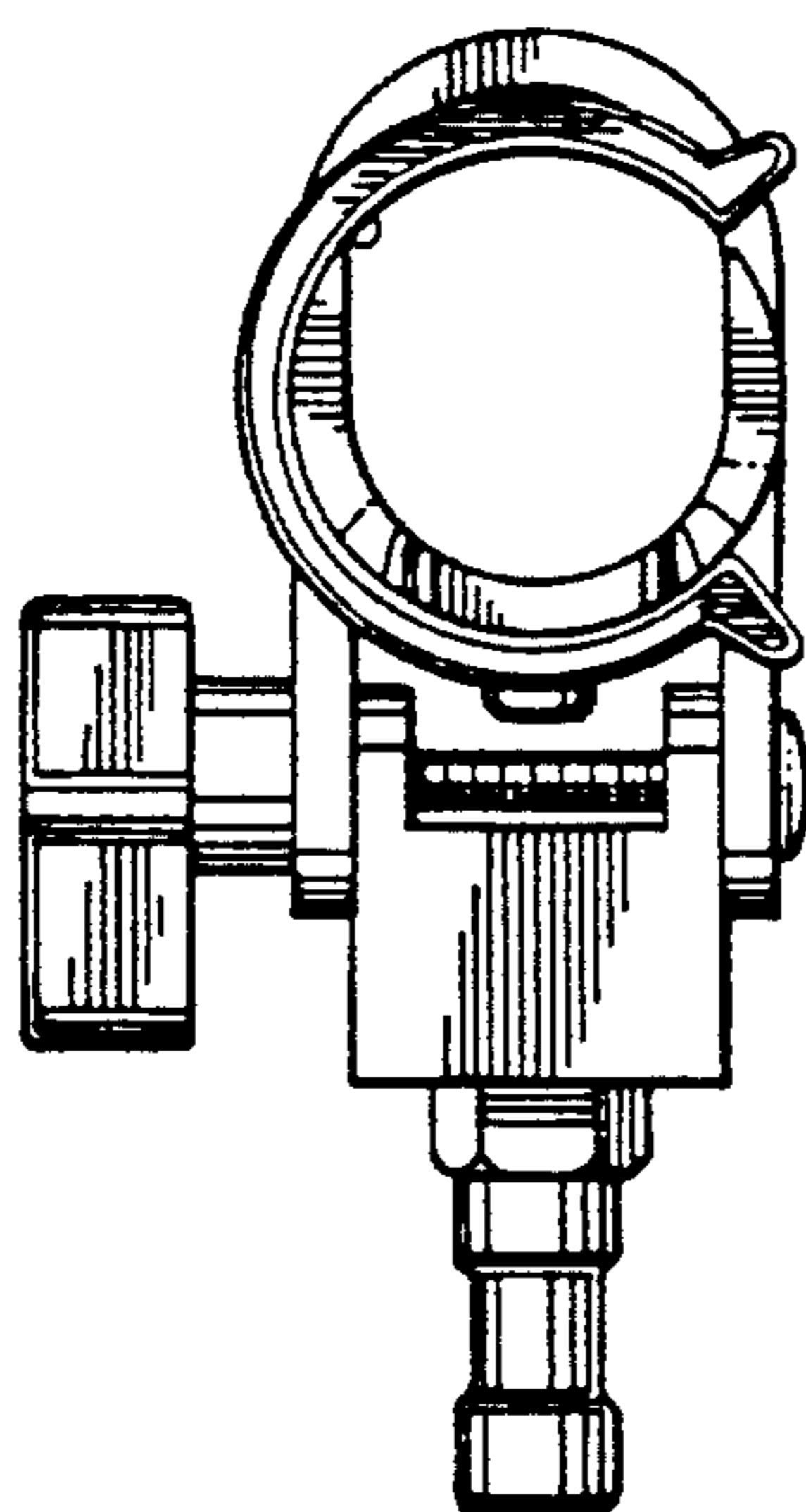


Fig. 4

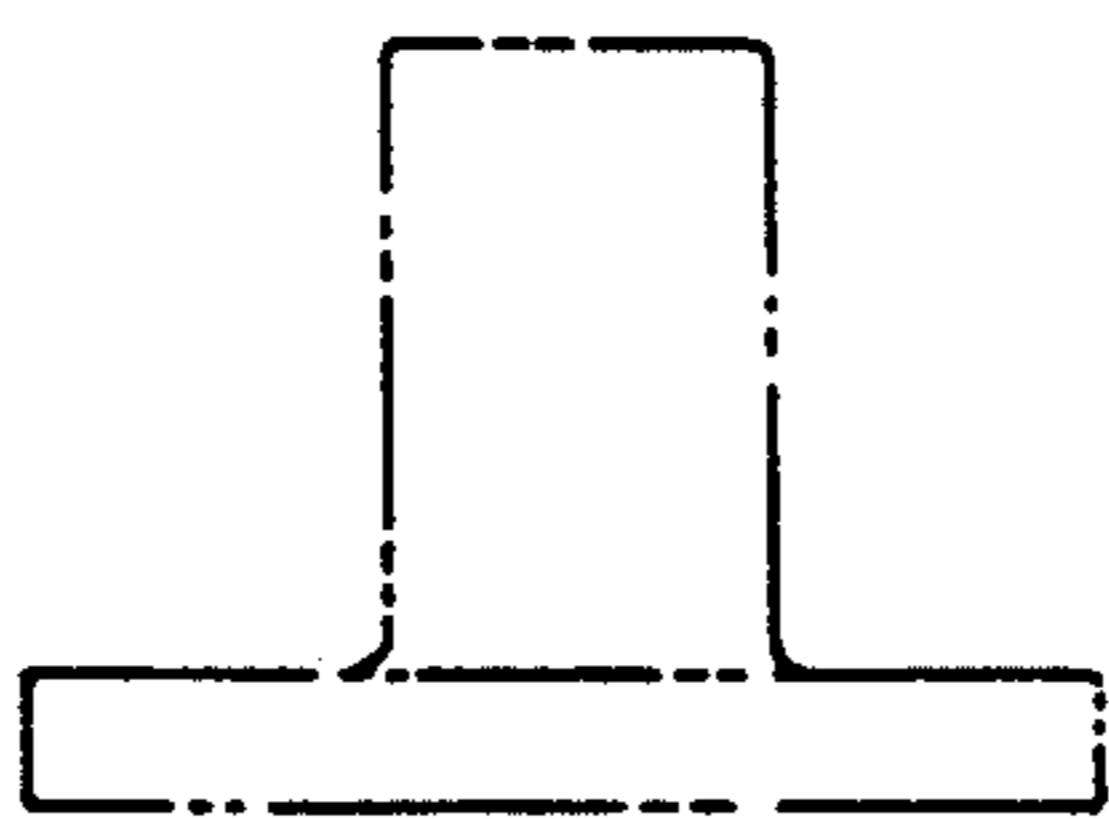
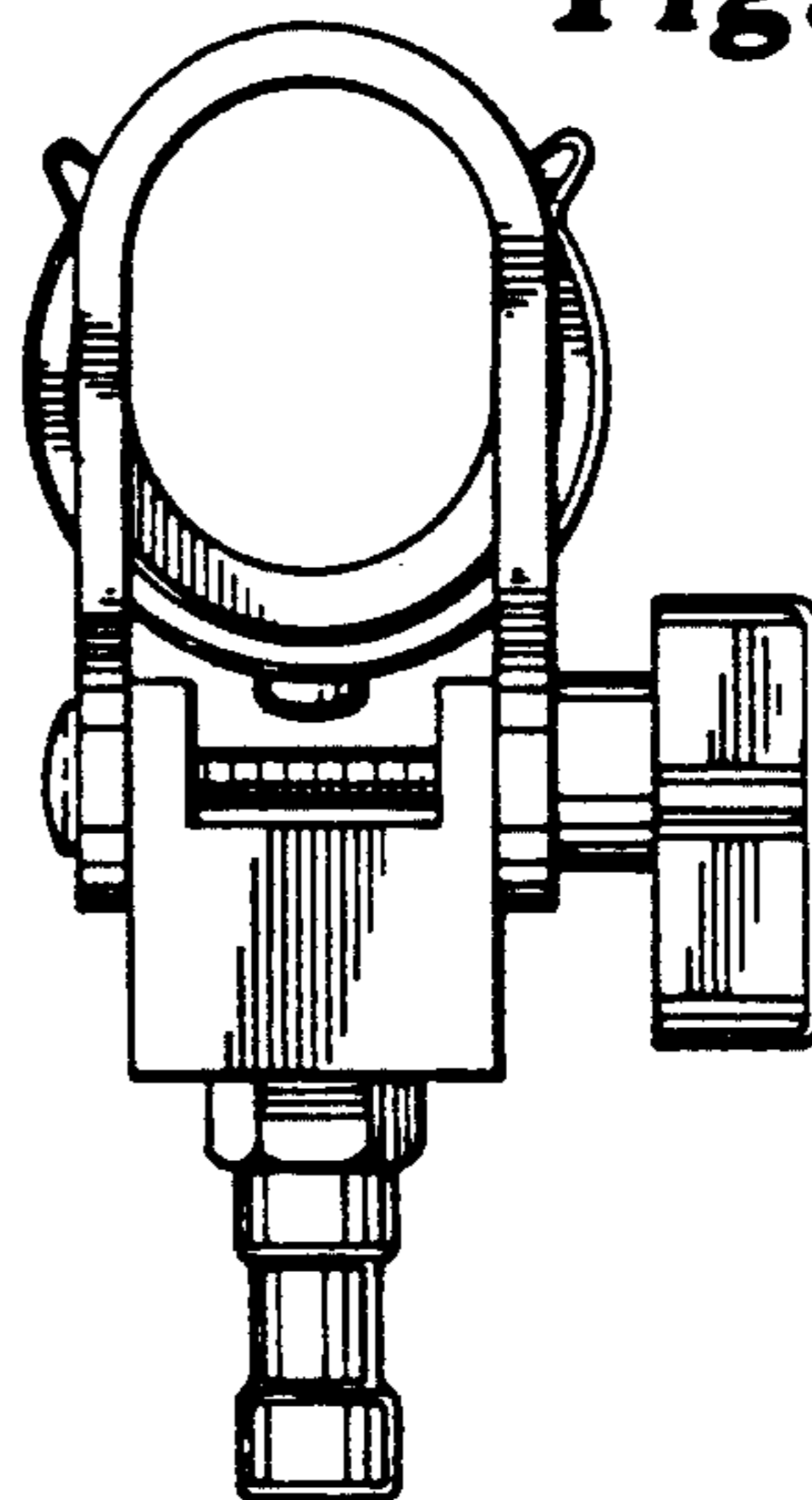


Fig. 5

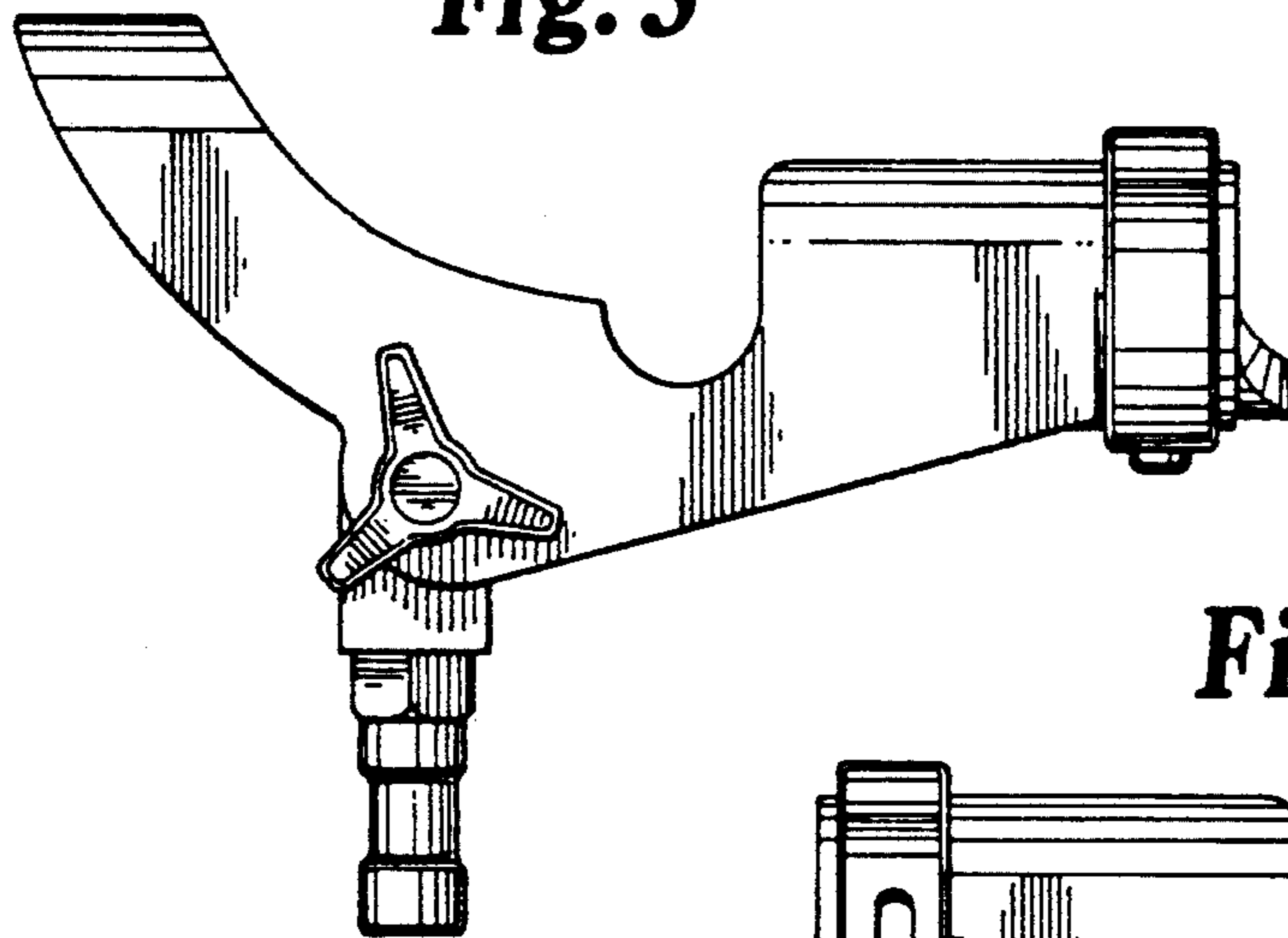


Fig. 6

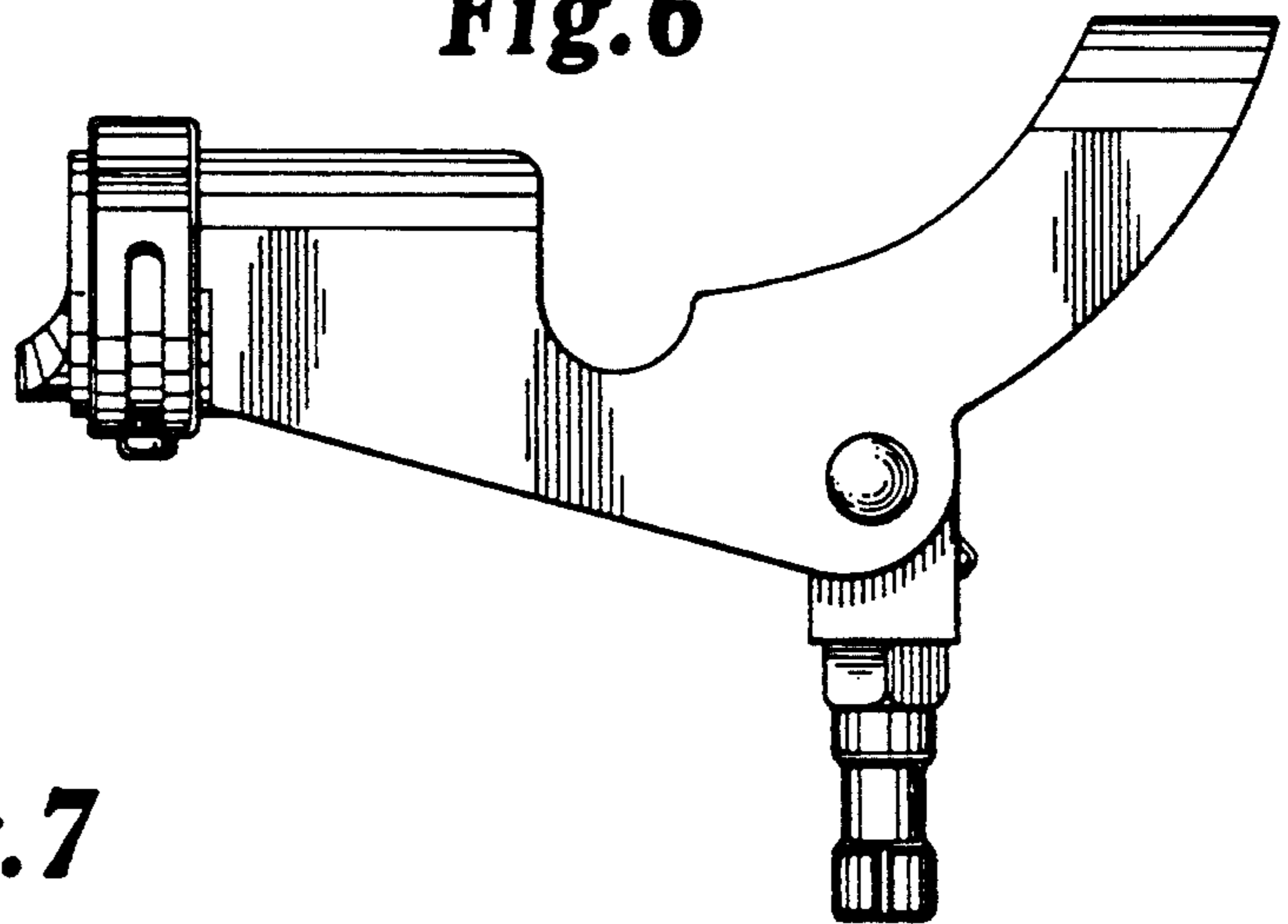


Fig. 7

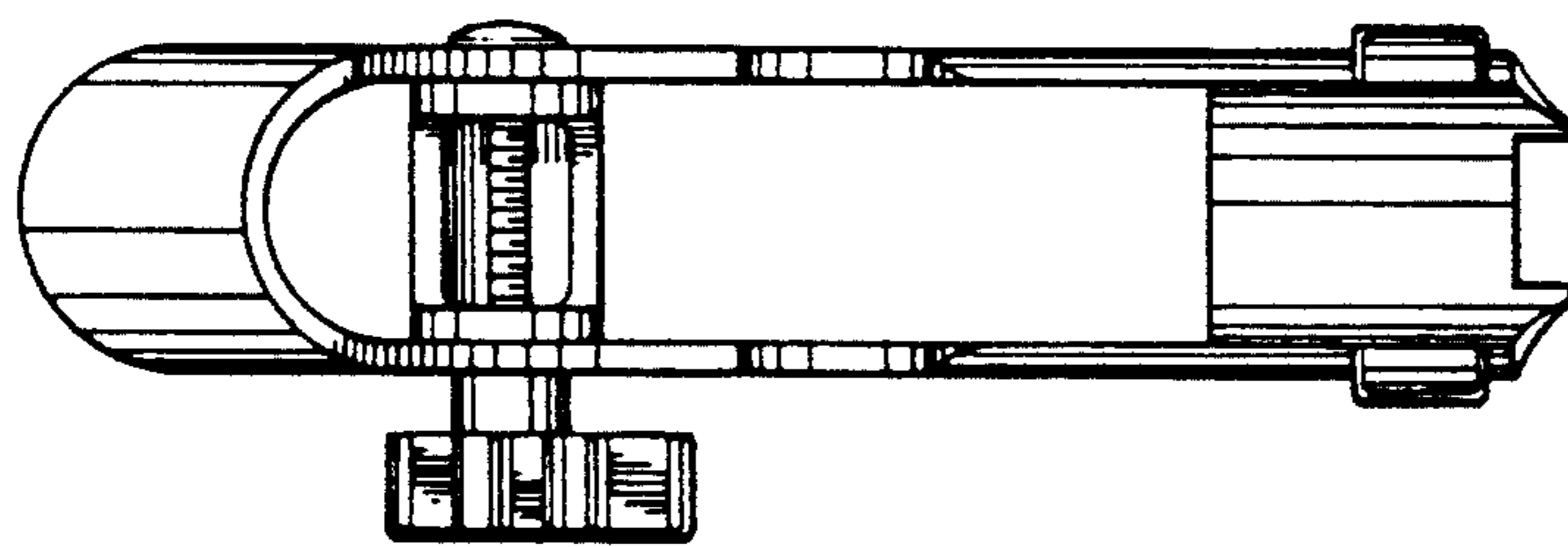


Fig. 8

