



US00D348714S

United States Patent [19]

[11] Patent Number: **Des. 348,714**

Rubin et al.

[45] Date of Patent: **** Jul. 12, 1994**

[54] TELESCOPE MOUNT FOR A FIREARM

[75] Inventors: **Irving N. Rubin**, West Bloomfield;
Ivan Jimenez, Northville, both of Mich.

[73] Assignee: **Kwik-Site Corp.**, Wayne, Mich.

[**] Term: **14 Years**

[21] Appl. No.: **870,691**

[22] Filed: **May 28, 1992**

[52] U.S. Cl. **D22/110**

[58] Field of Search **42/101; 33/248, 245, 33/247, 250, 259; D22/110, 109**

[56] **References Cited**

U.S. PATENT DOCUMENTS

3,835,565	9/1974	Weast	42/101
4,044,486	8/1977	Van Holten	42/101
4,249,931	2/1981	Hopson, III	42/101

4,383,371	5/1983	Coffey	42/101
4,660,289	4/1987	Wilhide	33/247
4,742,636	5/1988	Swan	33/248
4,779,370	10/1988	Cormack	42/101
5,046,277	9/1991	Sanders	33/245
5,070,637	12/1991	French	D22/110

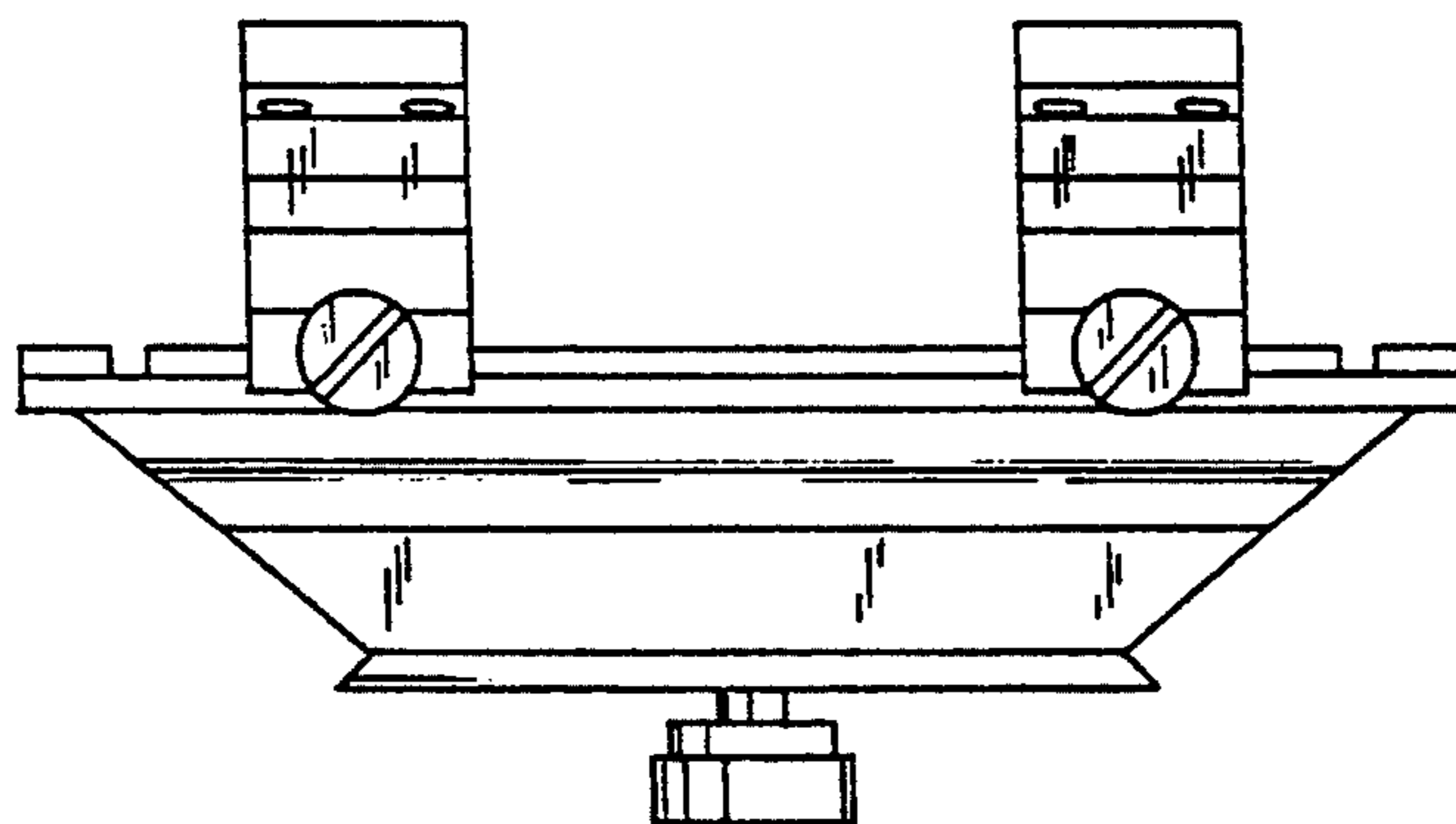
Primary Examiner—Hugo A. Word
Assistant Examiner—R. Seifert
Attorney, Agent, or Firm—Alex Rhodes

[57] CLAIM

The ornamental design for a telescope mount for a firearm, as shown and described.

DESCRIPTION

FIG. 1 is a plan view of a telescope mount for a firearm; FIG. 2 is a front elevational view; FIG. 3 is a left side elevational view; FIG. 4 is a right side elevational view; FIG. 5 is a bottom view; and, FIG. 6 is a rear view.



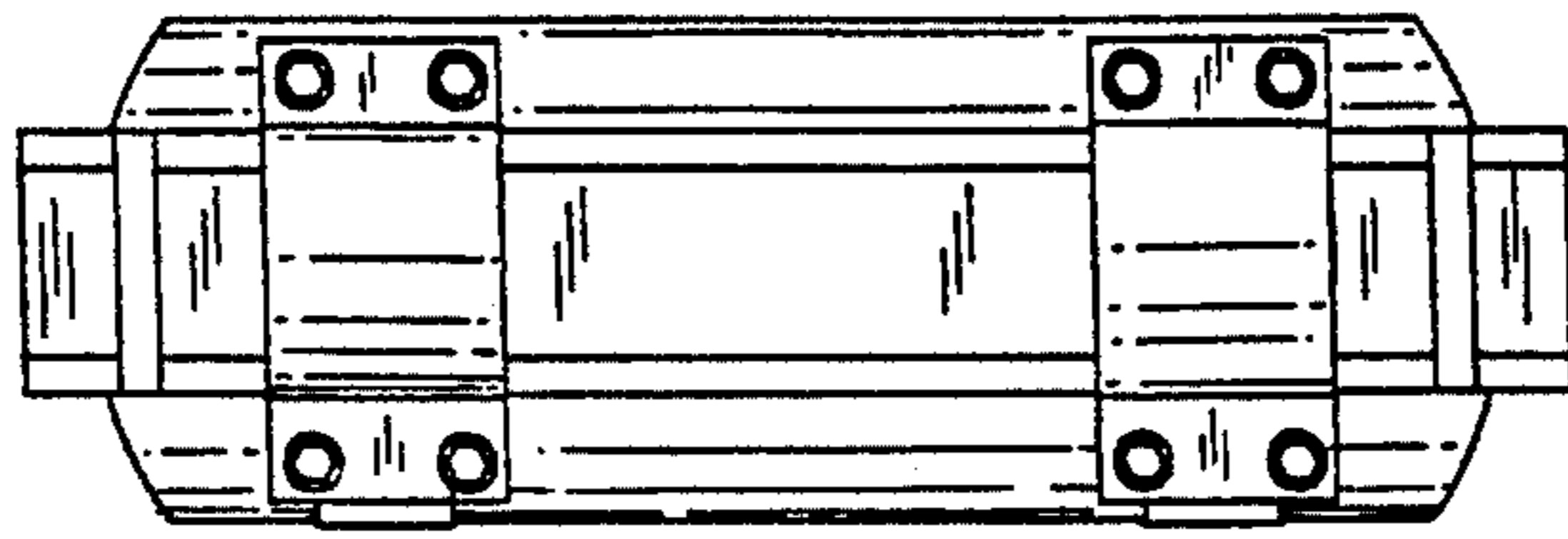


Fig. 1

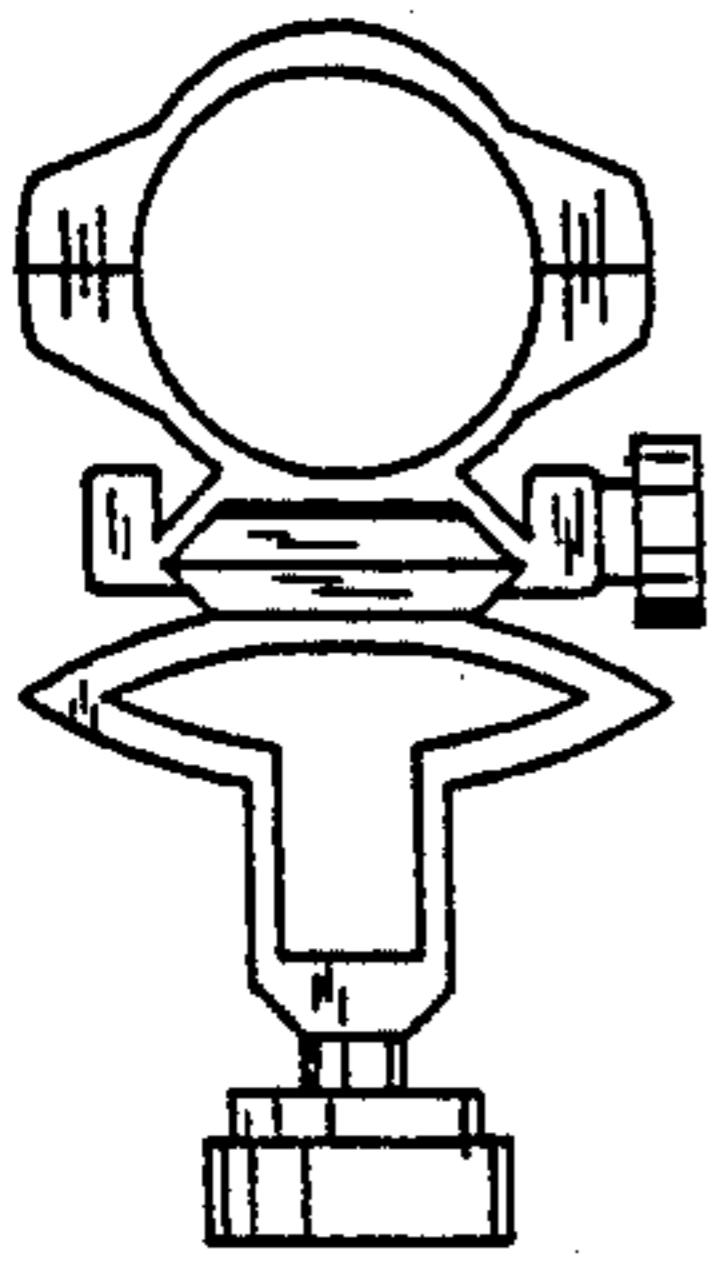


Fig. 4

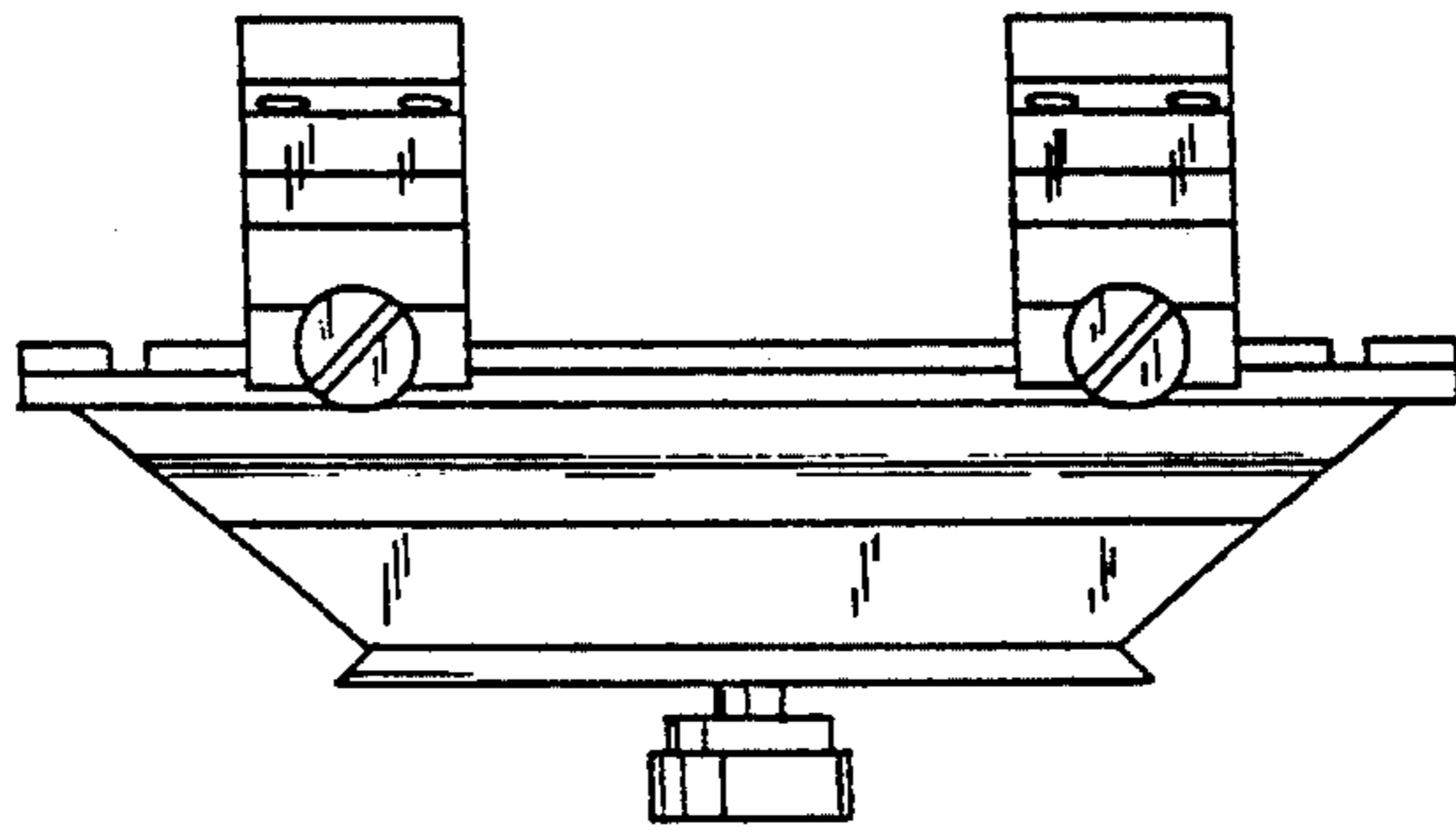


Fig. 2

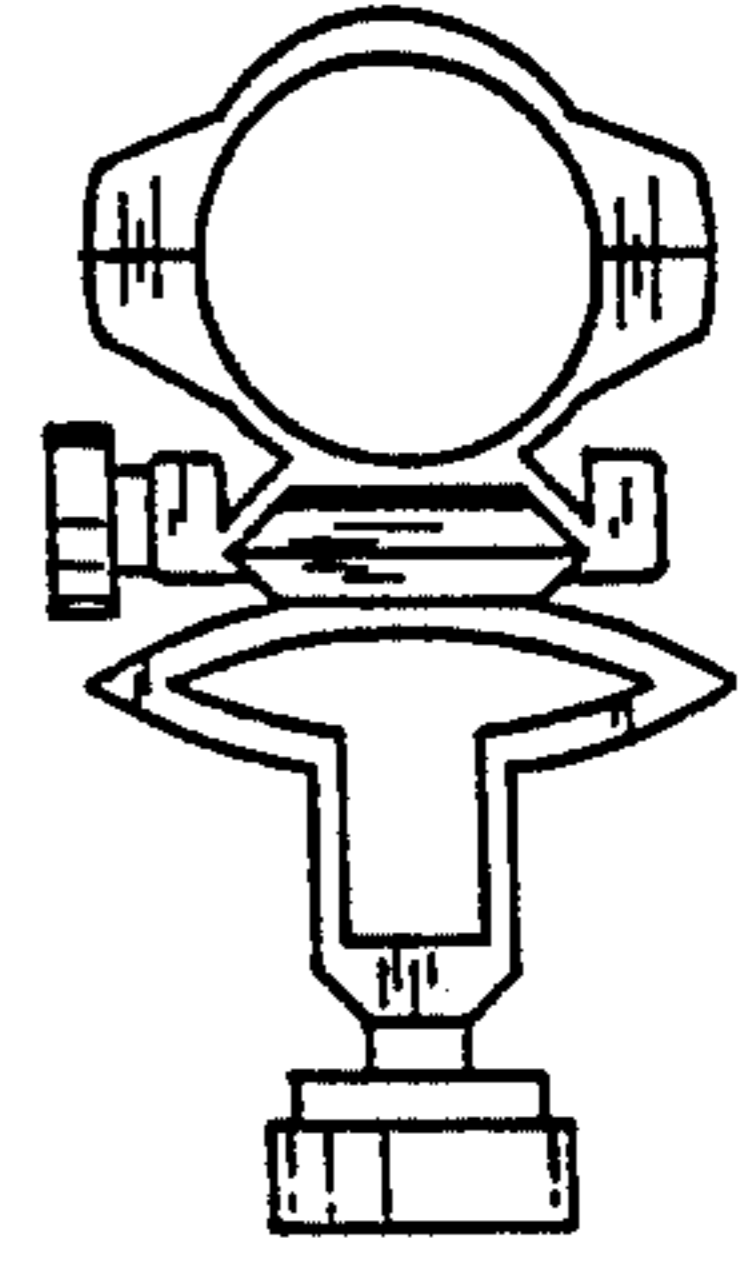


Fig. 3

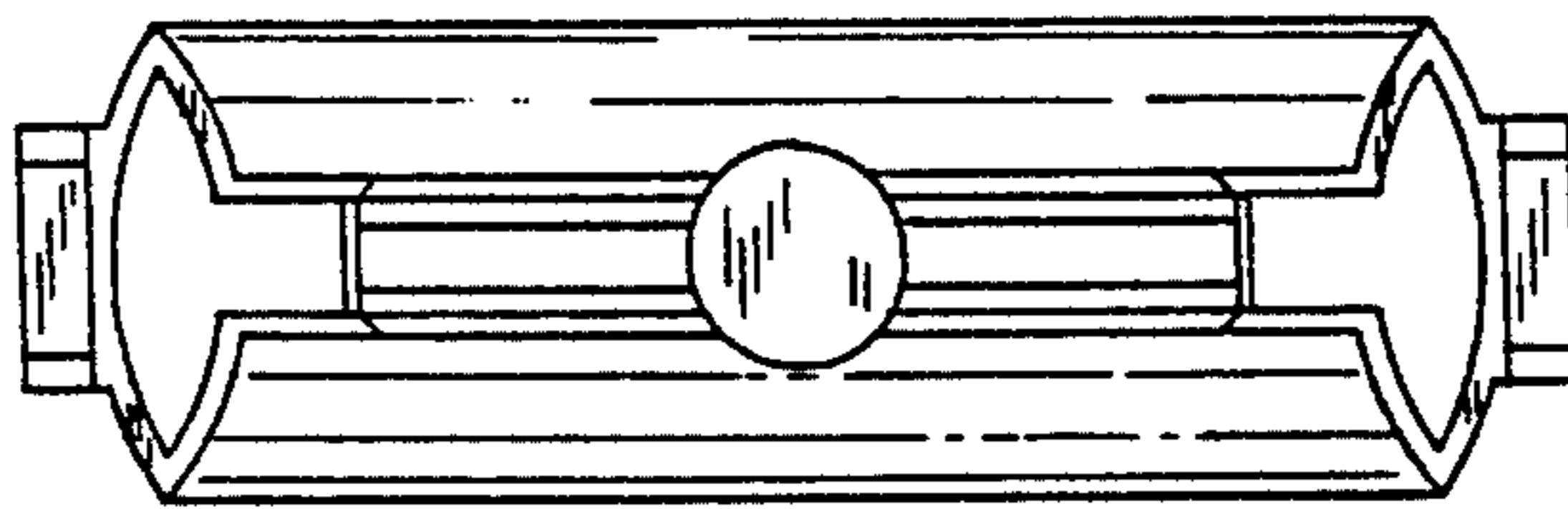


Fig. 5

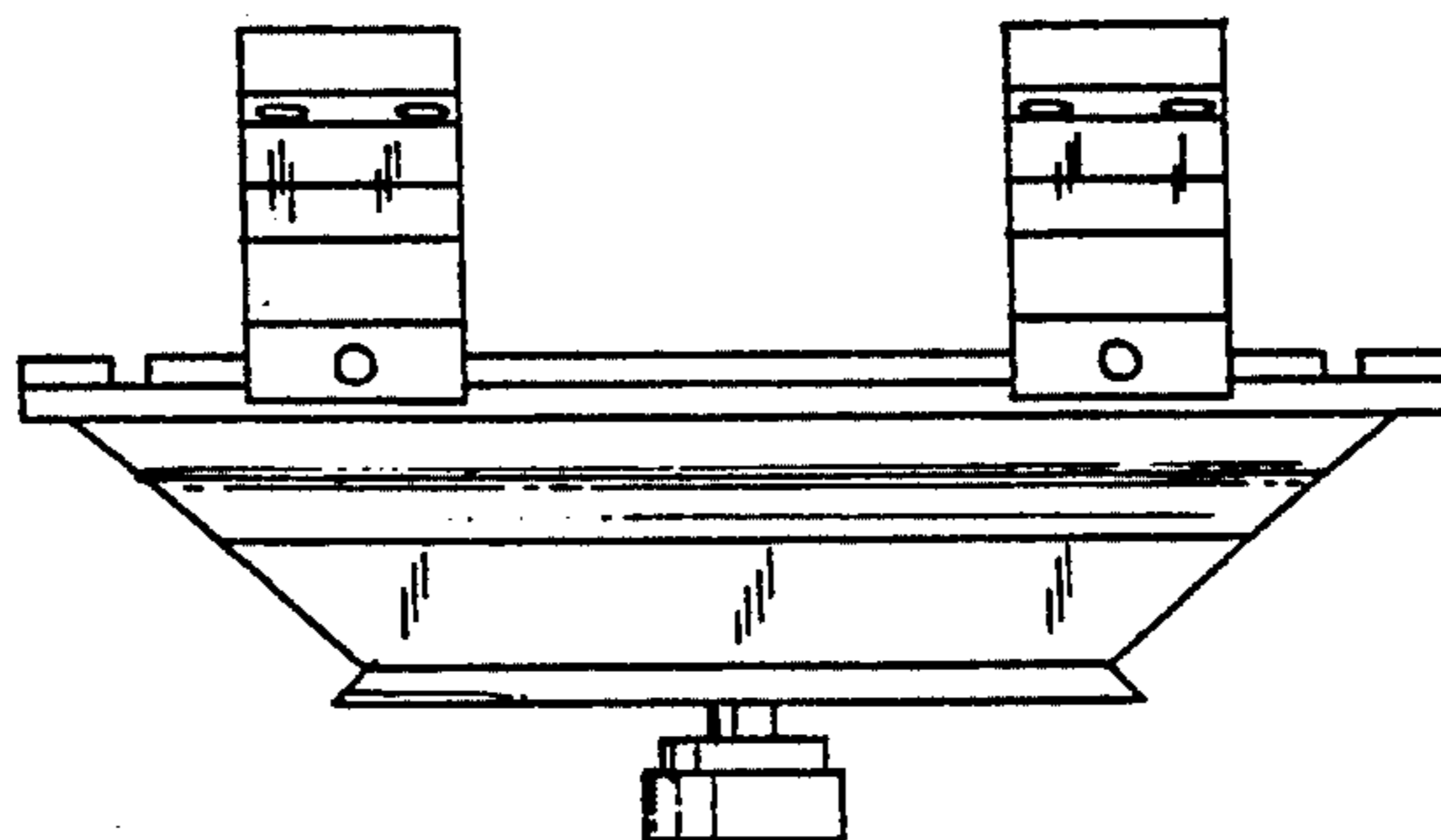


Fig. 6