



US00D348711S

United States Patent [19]

[11] Patent Number: **Des. 348,711**

Czworkowski et al.

[45] Date of Patent: **** Jul. 12, 1994**

[54] PADDLE

[76] Inventors: **Charles A. Czworkowski**, 282 Newbury St. #16, Boston, Mass. 02116; **Dale Hardin**, 2438 Neshaminy Blvd., Bensalem, Pa. 19020

[**] Term: **14 Years**

[21] Appl. No.: **746,577**

[22] Filed: **Aug. 19, 1991**

[52] U.S. Cl. **D21/213**

[58] Field of Search **273/346-347, 273/327, 412, 318, DIG. 30; D21/213**

[56] References Cited

U.S. PATENT DOCUMENTS

D. 316,127 4/1991 Dumaine D21/213
4,017,076 4/1977 Bai 273/346

FOREIGN PATENT DOCUMENTS

757603 12/1933 France 273/330
414017 7/1934 United Kingdom 273/330

OTHER PUBLICATIONS

Playthings, Jan. 1977, p. 13, Velcro® Dart Games.

Primary Examiner—Terry A. Wallace
Attorney, Agent, or Firm—Hugh E. Smith

[57] CLAIM

The ornamental design for a paddle, as shown and described.

DESCRIPTION

FIG. 1 is a front elevational view of the paddle showing my new design;
FIG. 2 is a rear elevational view thereof;
FIG. 3 is a left side elevational view thereof;
FIG. 4 is a right side elevational view thereof;
FIG. 5 is a top plan view thereof;
FIG. 6 is a bottom plan view thereof; and,
FIG. 7 is a side elevational view thereof, the broken line showing of a hand and shuttlecock is for illustrative purposes only and forms no part of the claimed design. The broken line showing the shuttlecock in FIGS. 1, 3, 4, 5 and 6 is for illustrative purposes only and forms no part of the claimed design.

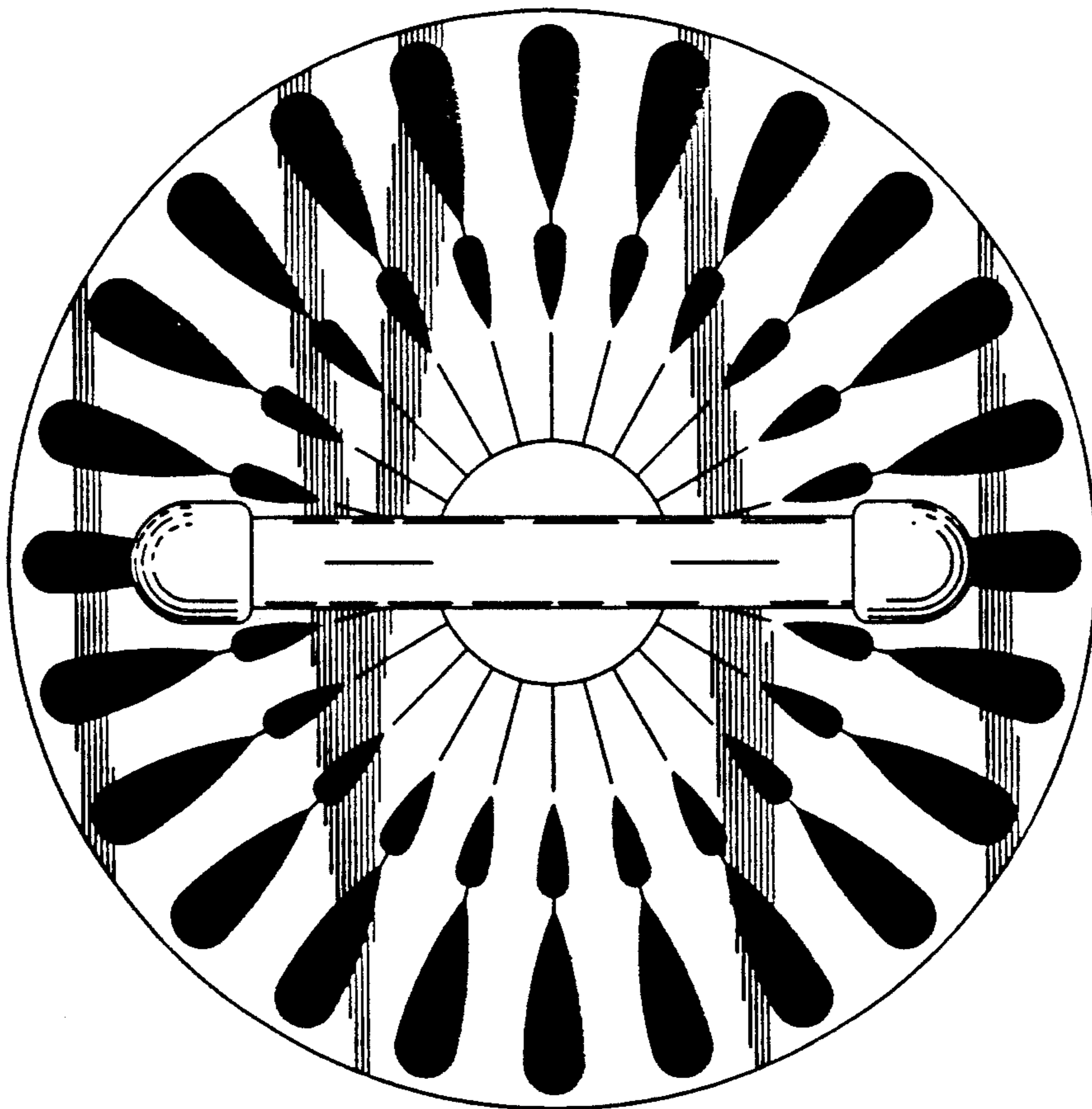


FIG. 1

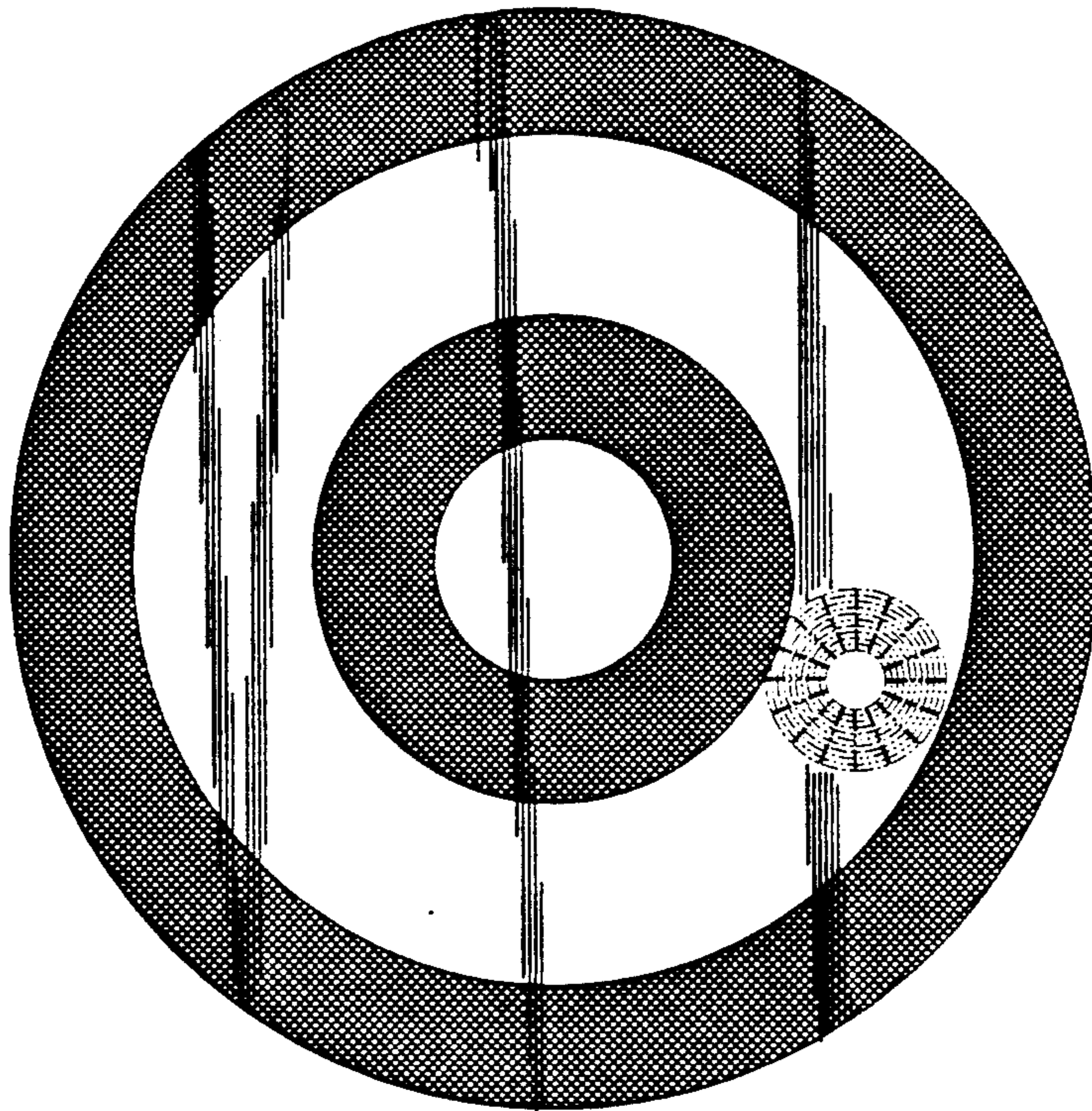


FIG. 2

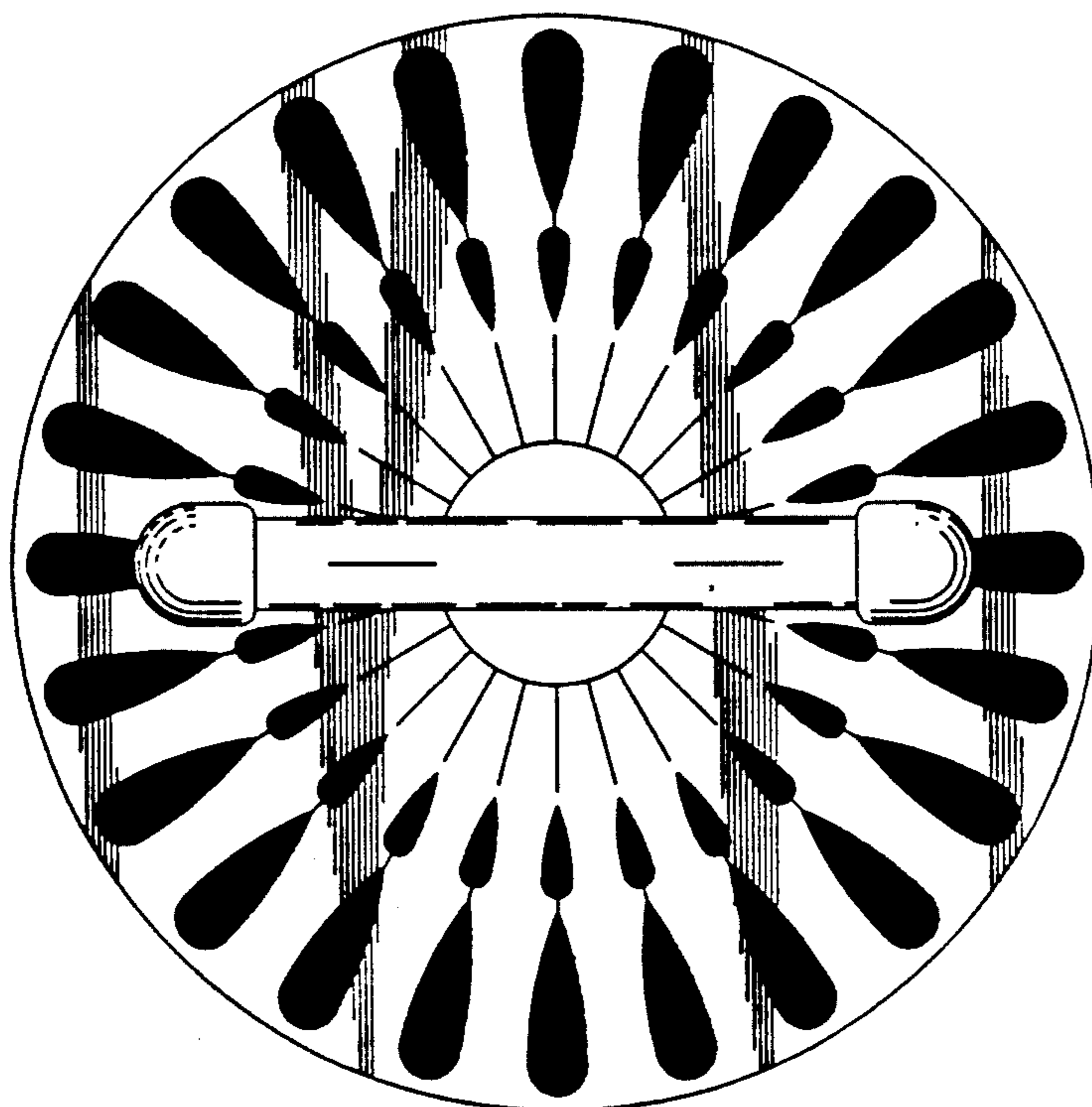


FIG. 3

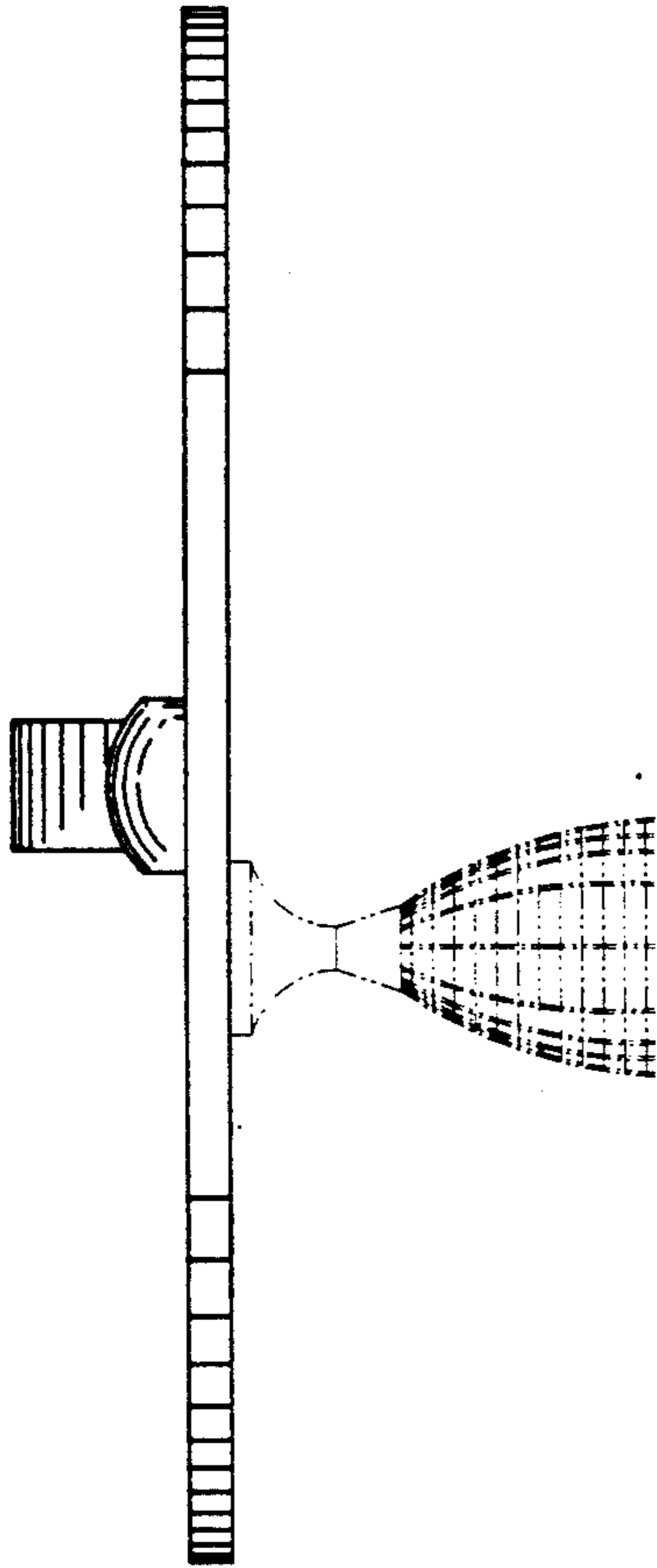


FIG. 4

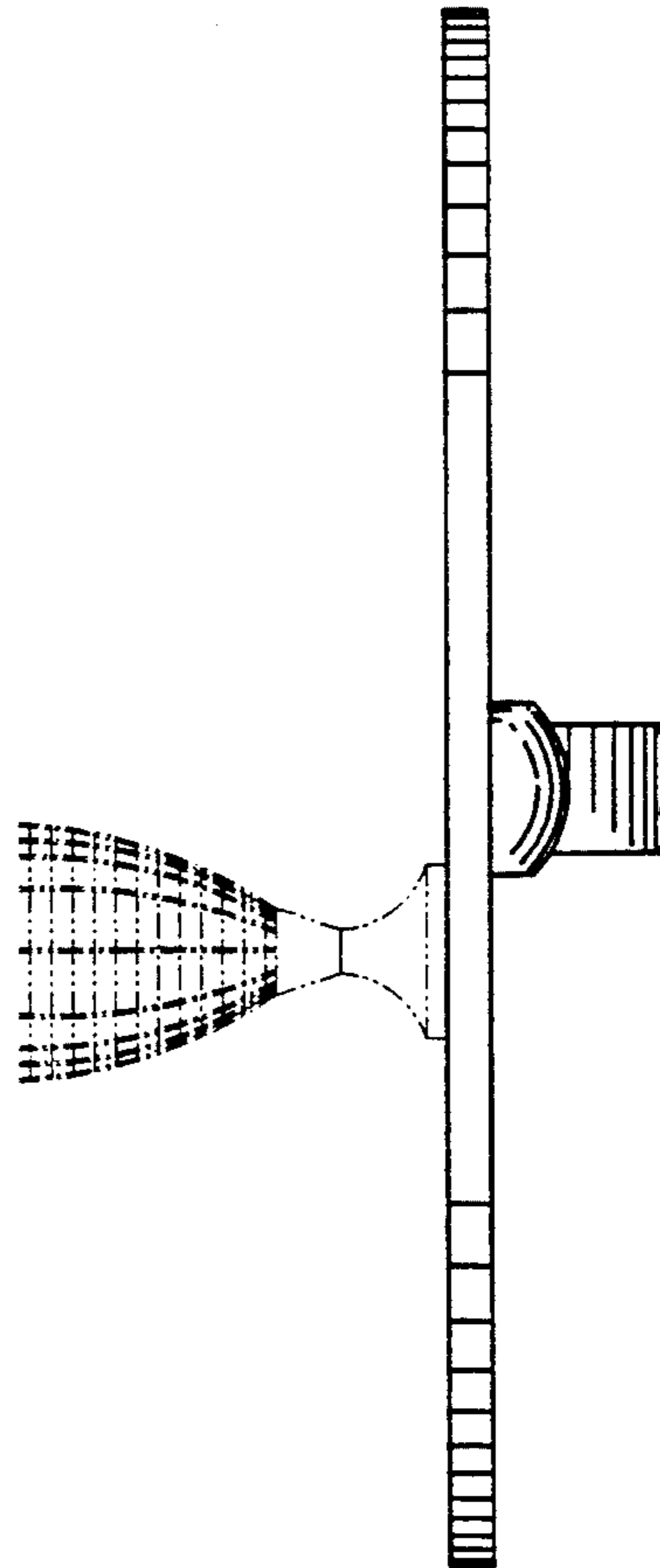


FIG. 5

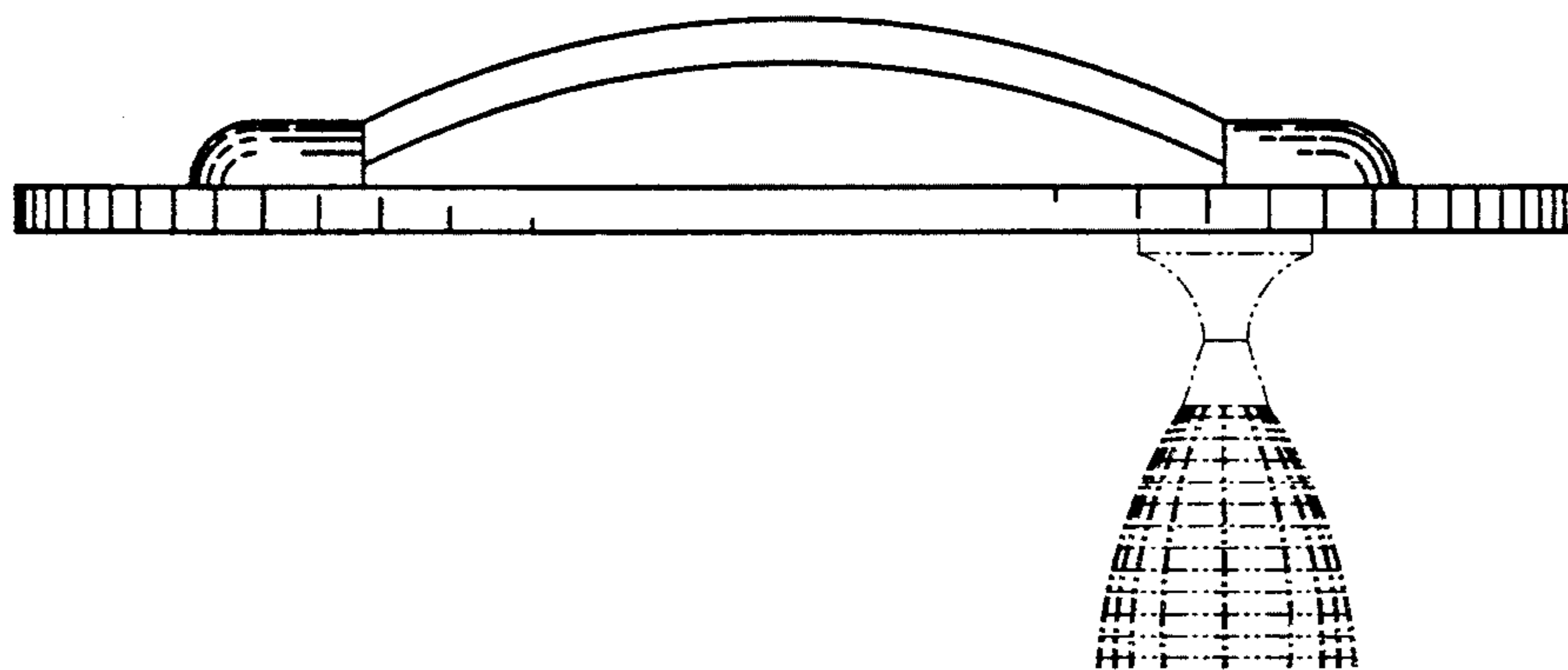


FIG. 6

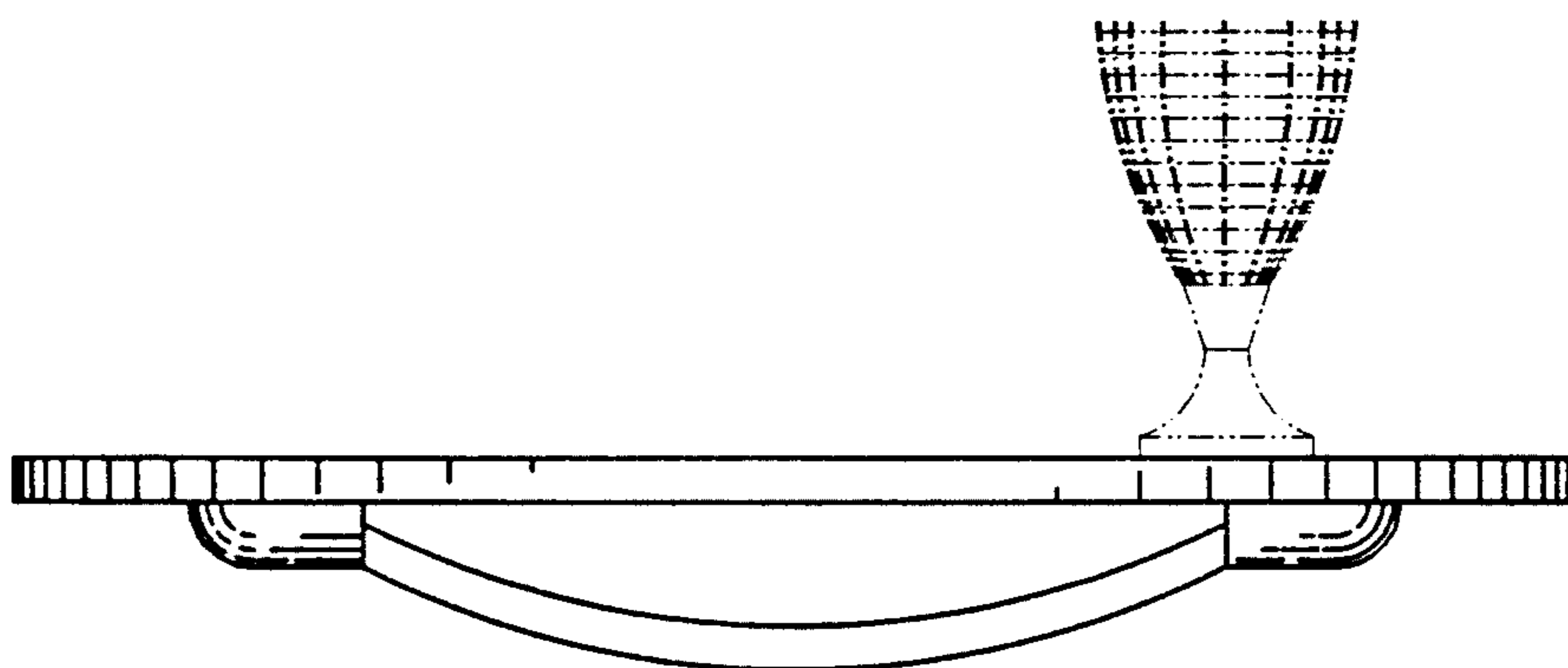


FIG. 7

