



US00D348710S

# United States Patent [19]

[11] Patent Number: **Des. 348,710**

Tager et al.

[45] Date of Patent: **\*\* Jul. 12, 1994**

[54] **POOLSIDE BASKETBALL GOAL**

4,940,232 7/1990 Chen ..... 273/1.5 R

[75] Inventors: **Leon H. Tager**, Citrus Heights;  
**William R. Storey**, Roseville, both of  
Calif.

*Primary Examiner*—Melvin B. Feifer  
*Assistant Examiner*—Cheri Cowen  
*Attorney, Agent, or Firm*—Flehr, Hohbach, Test,  
Albritton & Herbert

[73] Assignee: **Poolmaster, Inc.**, Sacramento, Calif.

[\*\*] Term: **14 Years**

[57] **CLAIM**

[21] Appl. No.: **165**

The ornamental design for a poolside basketball goal, as shown and described.

[22] Filed: **Oct. 5, 1992**

**DESCRIPTION**

[52] U.S. Cl. .... **D21/201**

FIG. 1 is a front elevational view of a poolside basketball goal embodying our new design; FIG. 2 is a rear elevational view thereof; FIG. 3 is a side elevational view thereof; FIG. 4 is a top plan view thereof; and, FIG. 5 is a bottom plan view thereof.

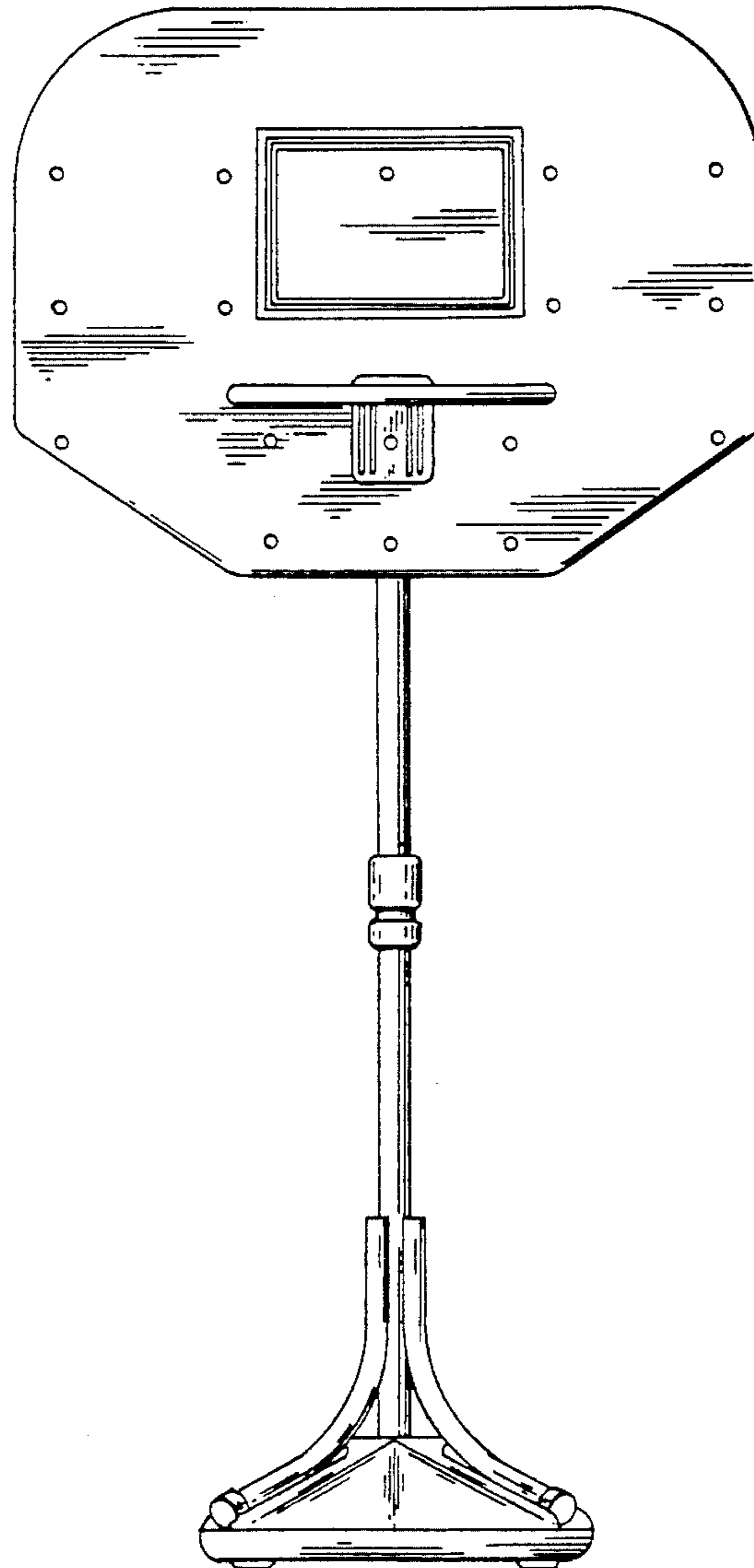
[58] Field of Search ..... 273/1.5 R, 1.5 A;  
D21/201

[56] **References Cited**

**U.S. PATENT DOCUMENTS**

- D. 299,041 12/1988 Thornell ..... D21/201
- D. 320,637 10/1991 Fish, Jr. et al. .... D21/201

The side opposite the side shown in FIG. 2, has the same appearance as shown in FIG. 2.



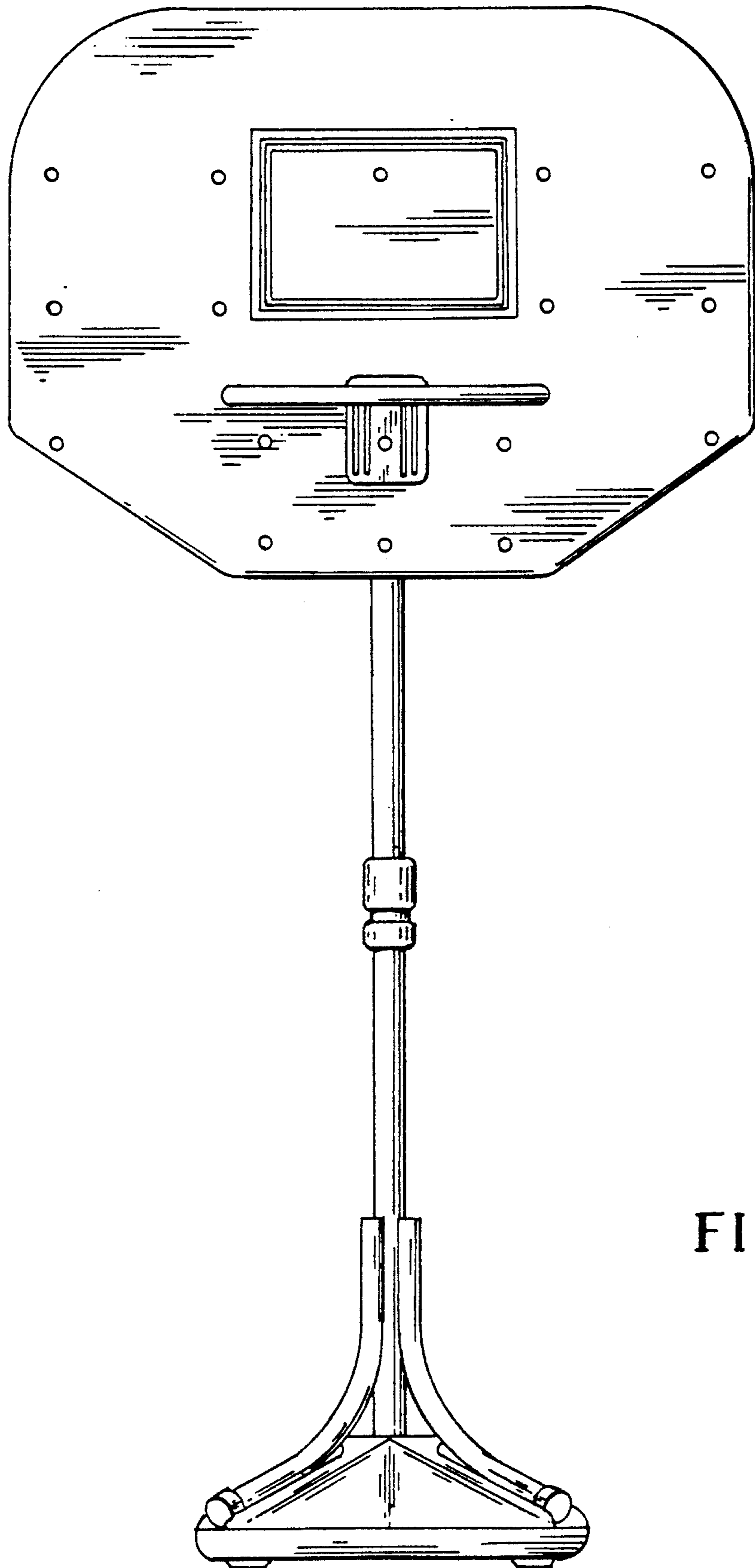


FIG. 1

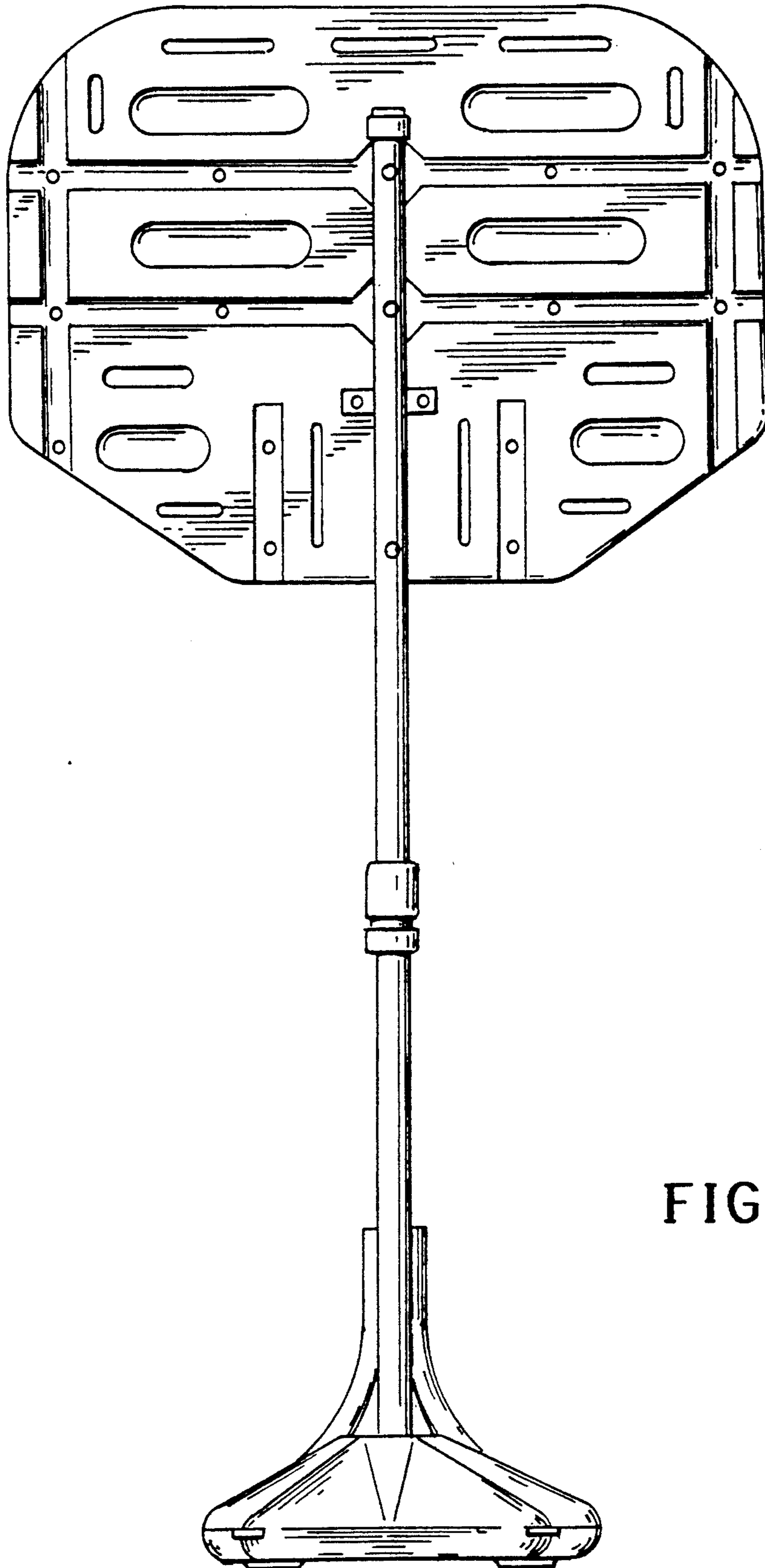


FIG. 2

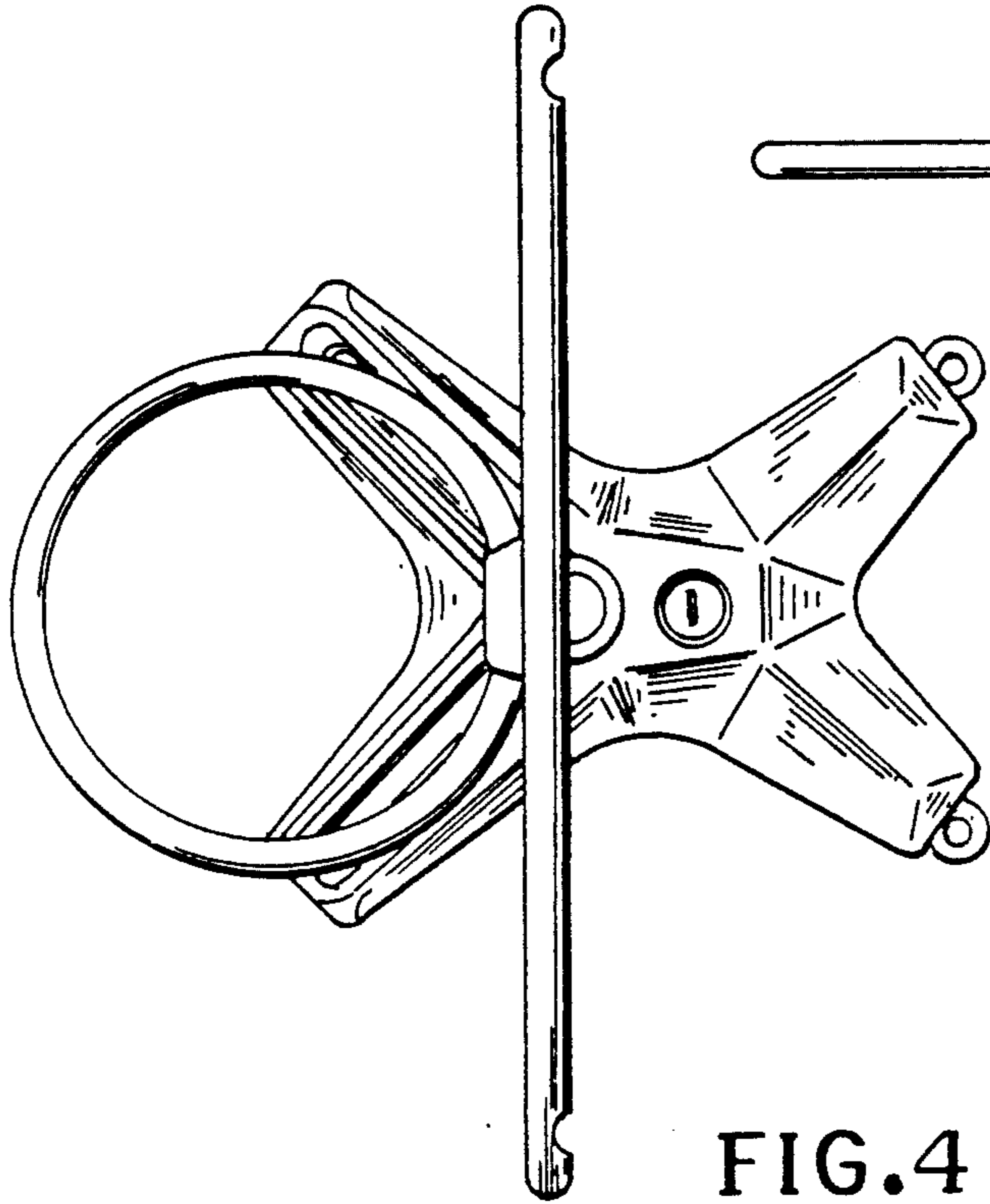


FIG. 4

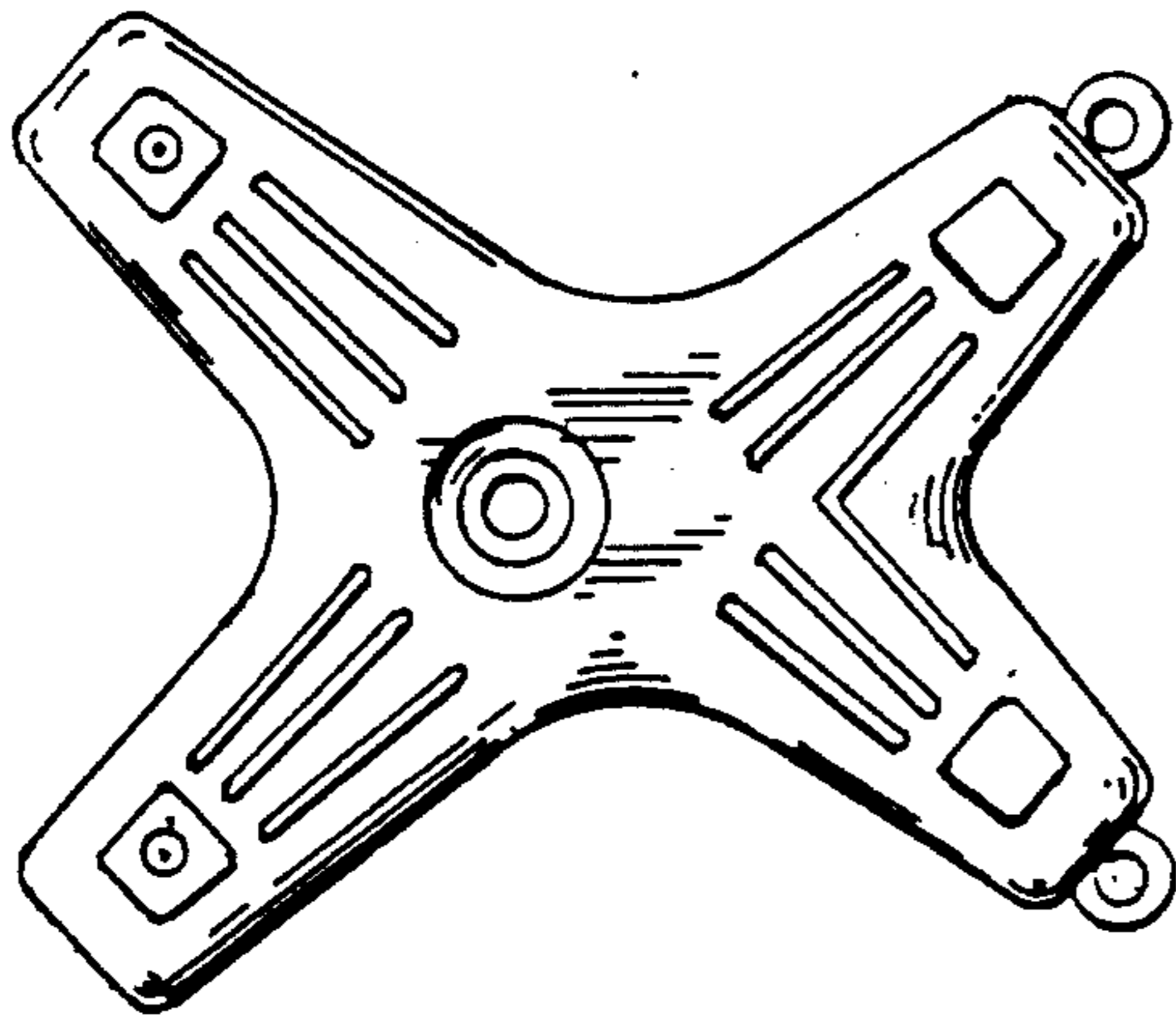


FIG. 5

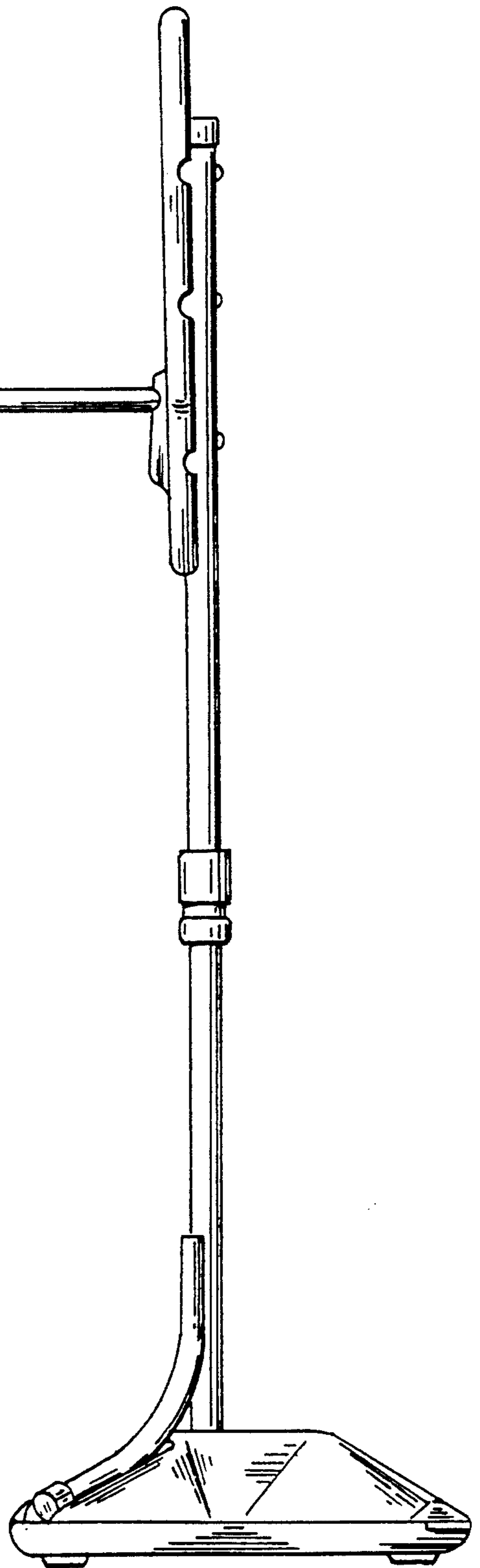


FIG. 3