



US00D348709S

United States Patent [19]

[11] Patent Number: **Des. 348,709**

Leps

[45] Date of Patent: **** Jul. 12, 1994**

[54] **BASEBALL PITCHING DEVICE**

[76] Inventor: **Thomas A. Leps**, 34 Wolfe Grade, Kentfield, Calif. 94904

[**] Term: **14 Years**

[21] Appl. No.: **856,321**

[22] Filed: **Mar. 20, 1992**

[52] U.S. Cl. **D21/199**

[58] Field of Search 273/26 D, 29 A; D21/2, D21/191, 199

[56] **References Cited**

U.S. PATENT DOCUMENTS

2,955,823	10/1960	Chanko	273/26 D
2,955,824	10/1960	Chanko	273/26 D
4,132,214	1/1979	Schnurr et al.	273/29 A
4,676,504	6/1987	Ponza	273/26 D
4,955,606	9/1990	Leps	273/26 D
5,232,218	8/1993	Leps	273/26 D

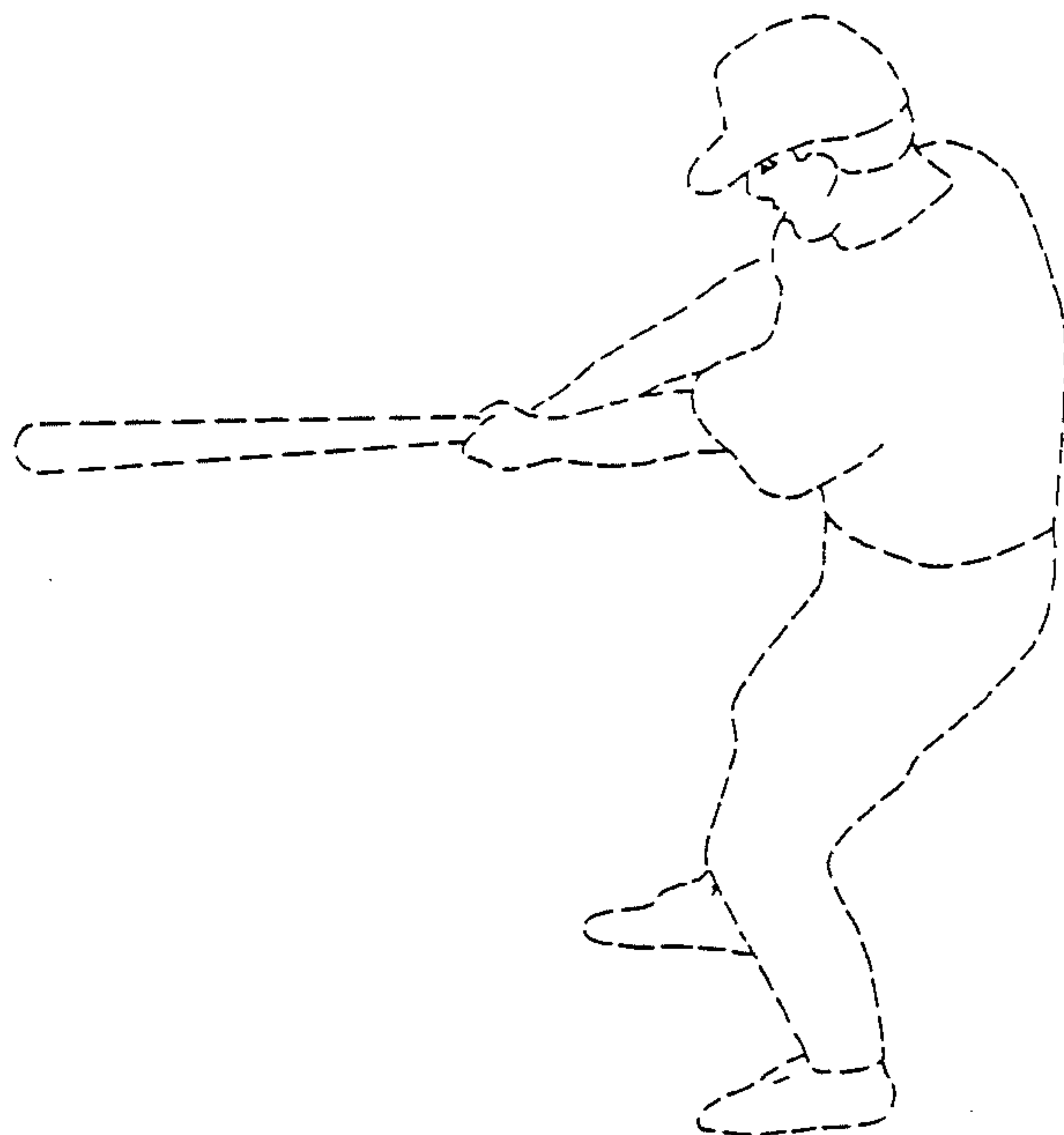
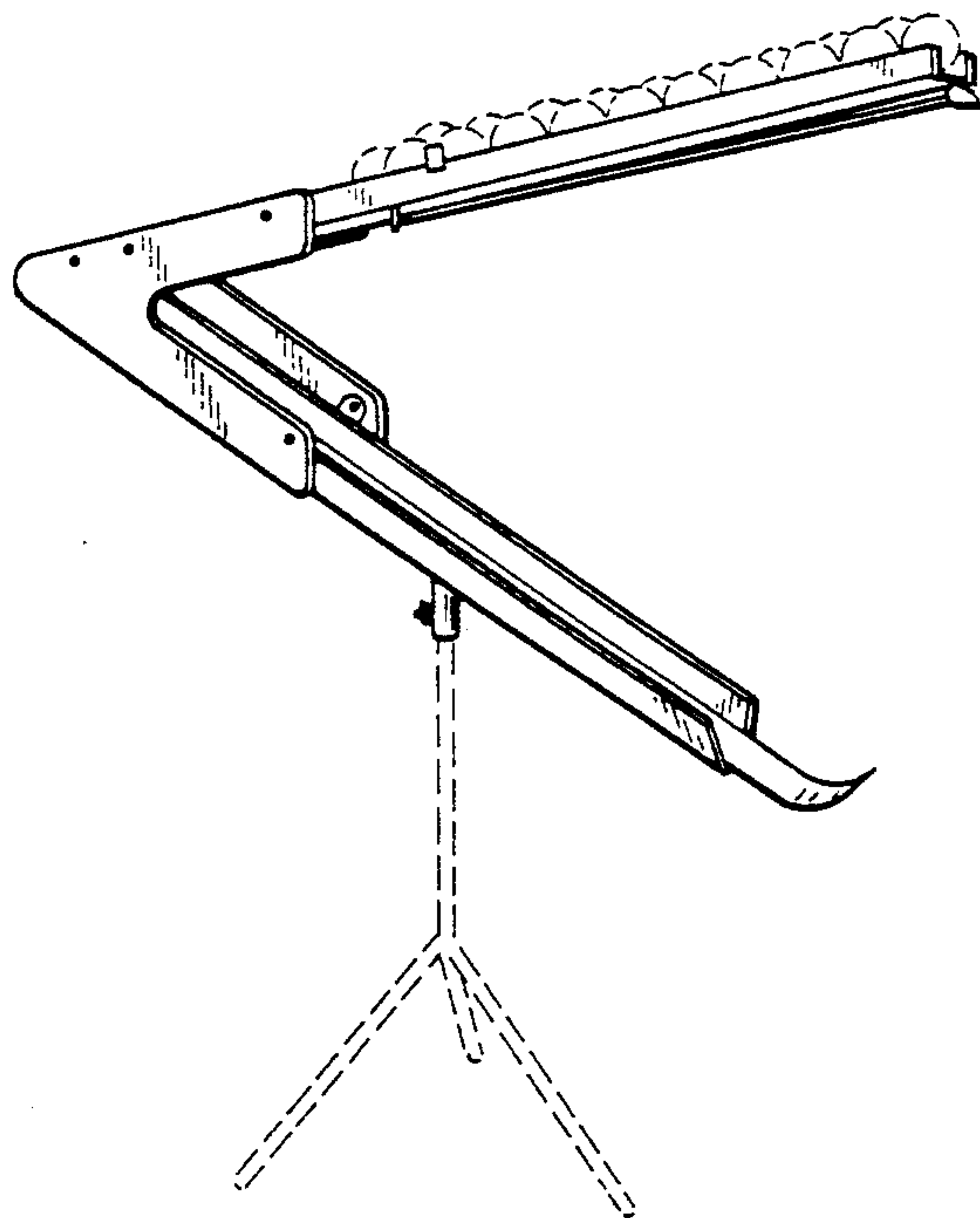
Primary Examiner—Melvin B. Feifer
Assistant Examiner—M. Siegel
Attorney, Agent, or Firm—Larry D. Johnson

[57] **CLAIM**

The ornamental design for a baseball pitching device, as shown and described.

DESCRIPTION

FIG. 1 is a perspective view of a baseball pitching device showing my new design;
FIG. 2 is a front elevational view thereof;
FIG. 3 is a right side elevational view thereof, the left side being a mirror image;
FIG. 4 is a rear elevational view thereof;
FIG. 5 is a top plan view thereof; and
FIG. 6 is a bottom plan view thereof.
The broken line showing of a baseball player, baseballs and a stand in FIG. 1 is for illustrative purposes only and forms no part of the claimed design.



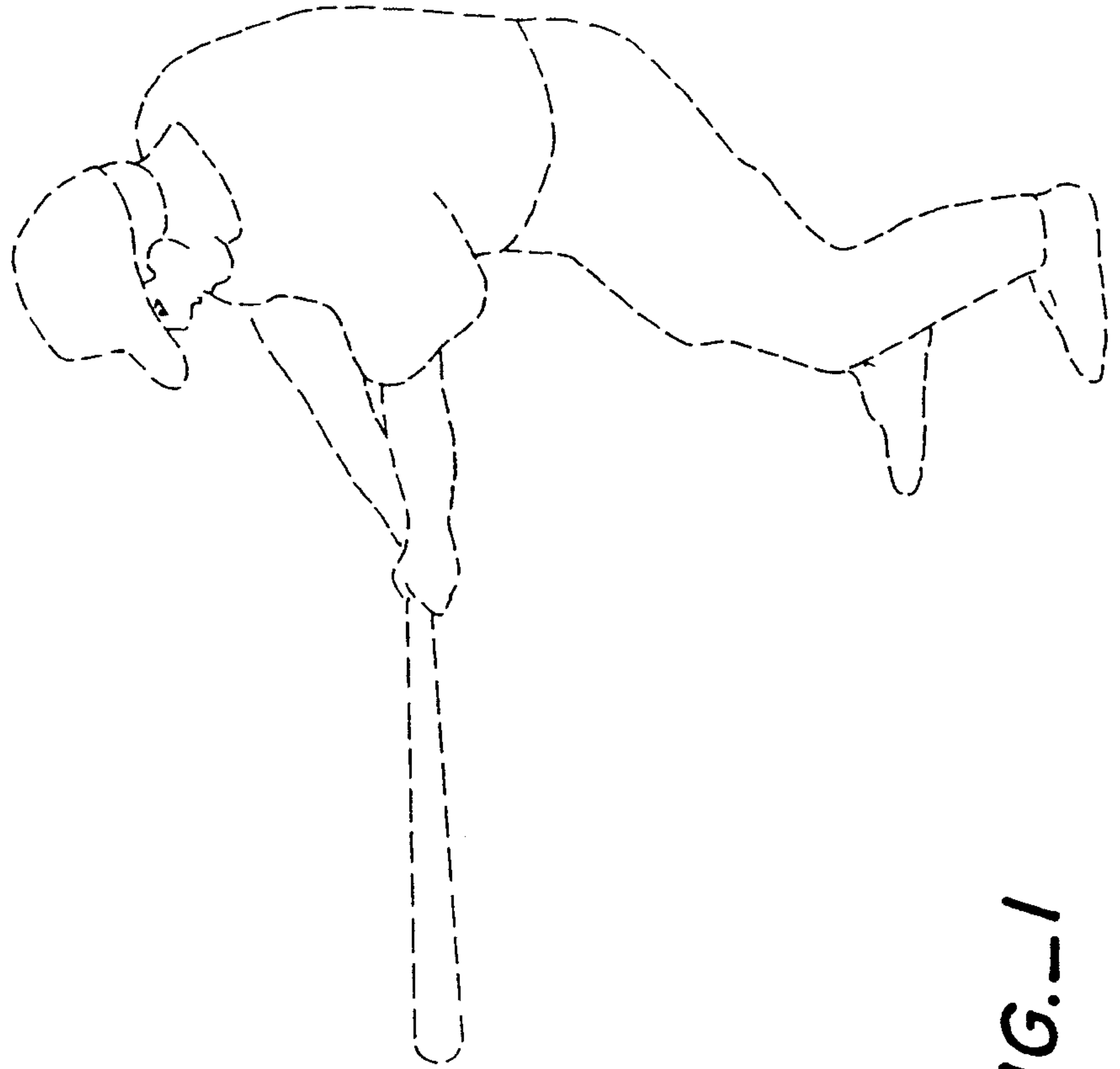
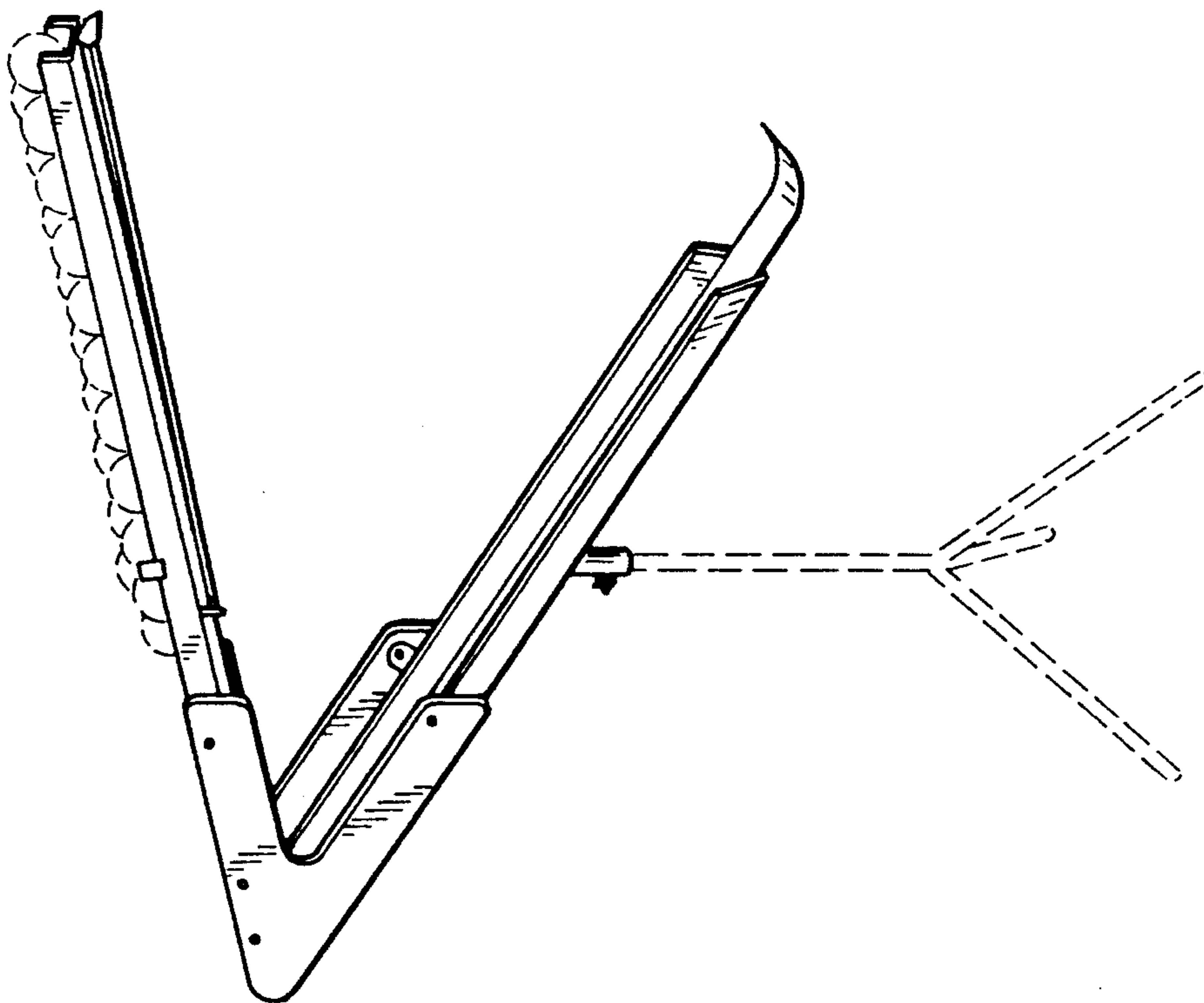


FIG.-1

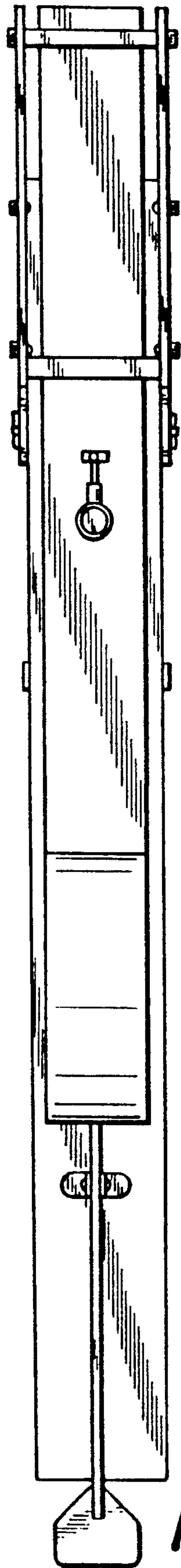


FIG. 6

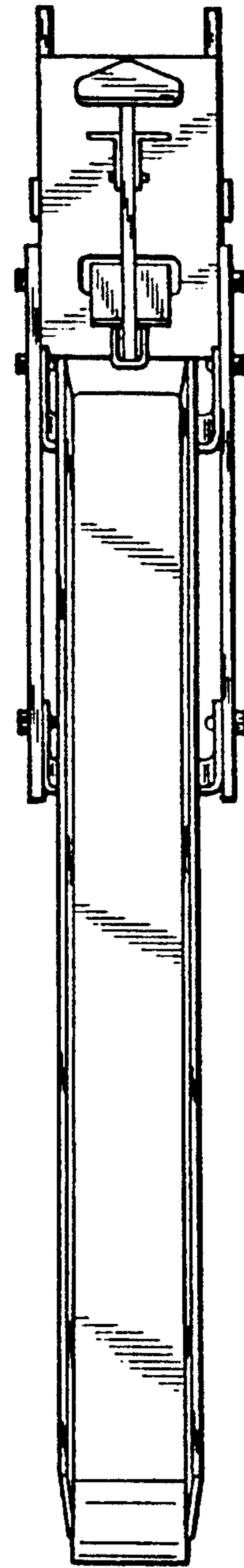


FIG. 2

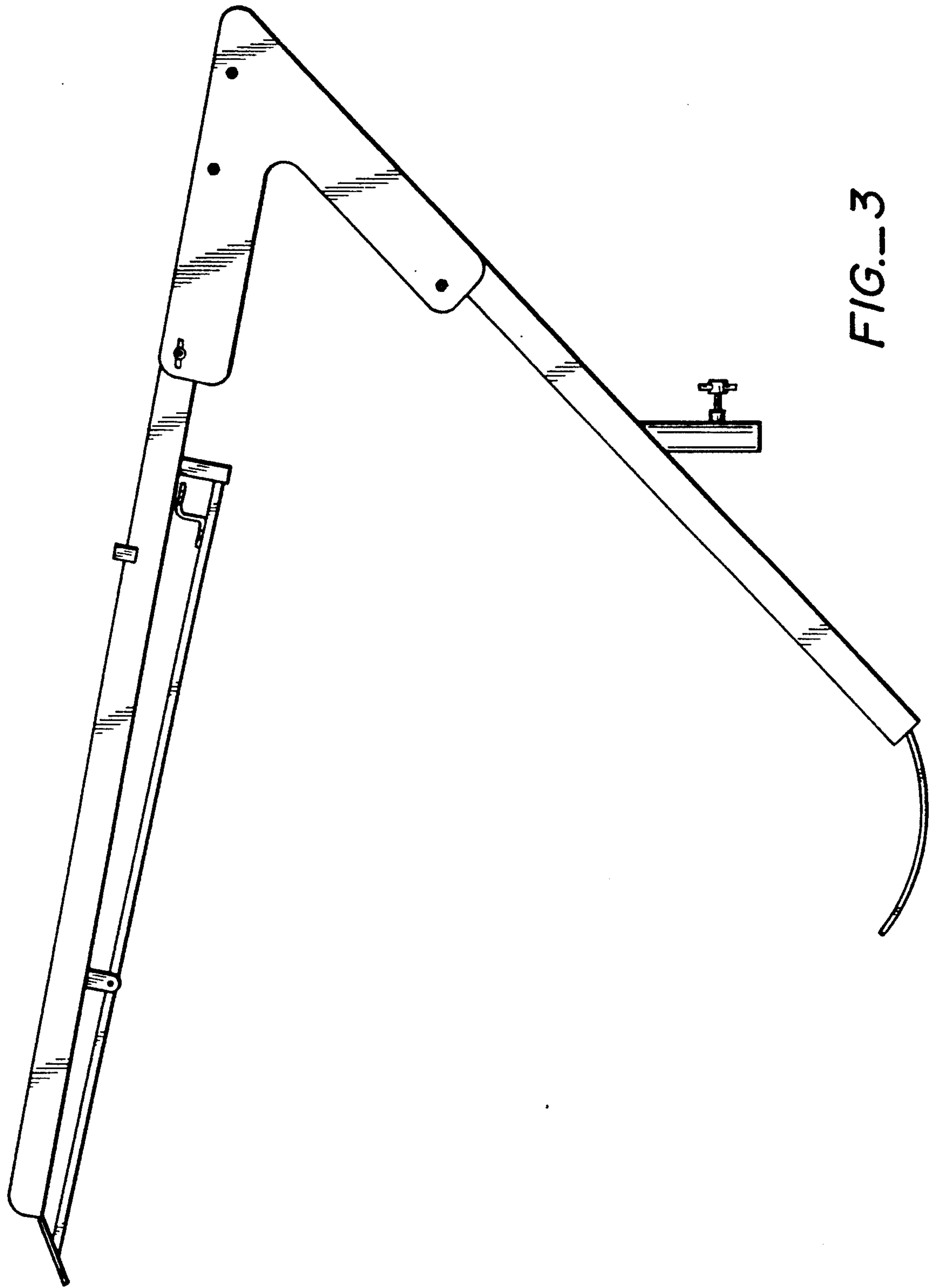


FIG. 3

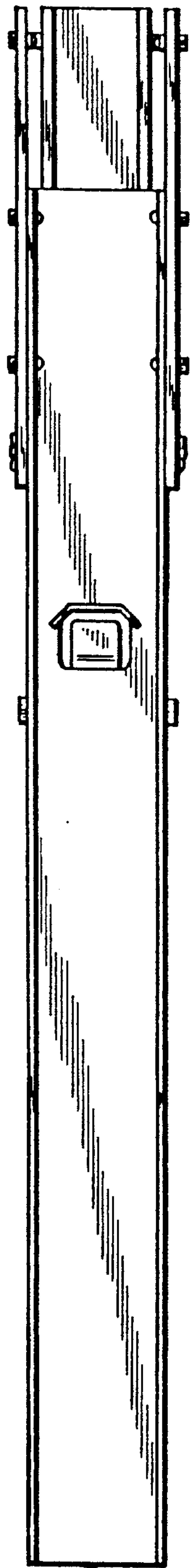


FIG._5

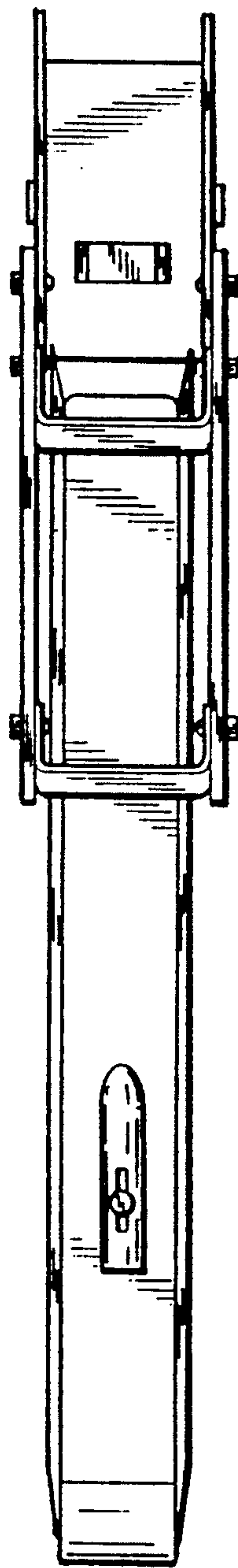


FIG._4