



US00D348708S

United States Patent [19]

[11] Patent Number: **Des. 348,708**

Chen

[45] Date of Patent: **** Jul. 12, 1994**

[54] **JOGGING EXERCISER**

[75] Inventor: **Ting-Hsing Chen, Tainan, Taiwan**

[73] Assignee: **Far Great Plastics Industrial Co., Ltd., Tainan, Taiwan**

[**] Term: **14 Years**

[21] Appl. No.: **5,411**

[22] Filed: **Mar. 3, 1993**

[52] U.S. Cl. **D21/192; D21/191**

[58] Field of Search **482/51, 52, 53, 80, 482/79, 111, 112, 113; D21/191, 192, 193, 194, 195**

5,230,675	7/1993	Lin	482/80
5,230,676	7/1993	Terauds	482/79
5,232,419	8/1993	Kozak	482/80
5,232,420	8/1993	Terauds	482/79
5,232,421	8/1993	Chen et al.	482/53

Primary Examiner—Bernard Ansher
Assistant Examiner—Philip Hyder
Attorney, Agent, or Firm—Morton J. Rosenberg; David I. Klein

[57] CLAIM

The ornamental design for a jogging exerciser, as shown and described.

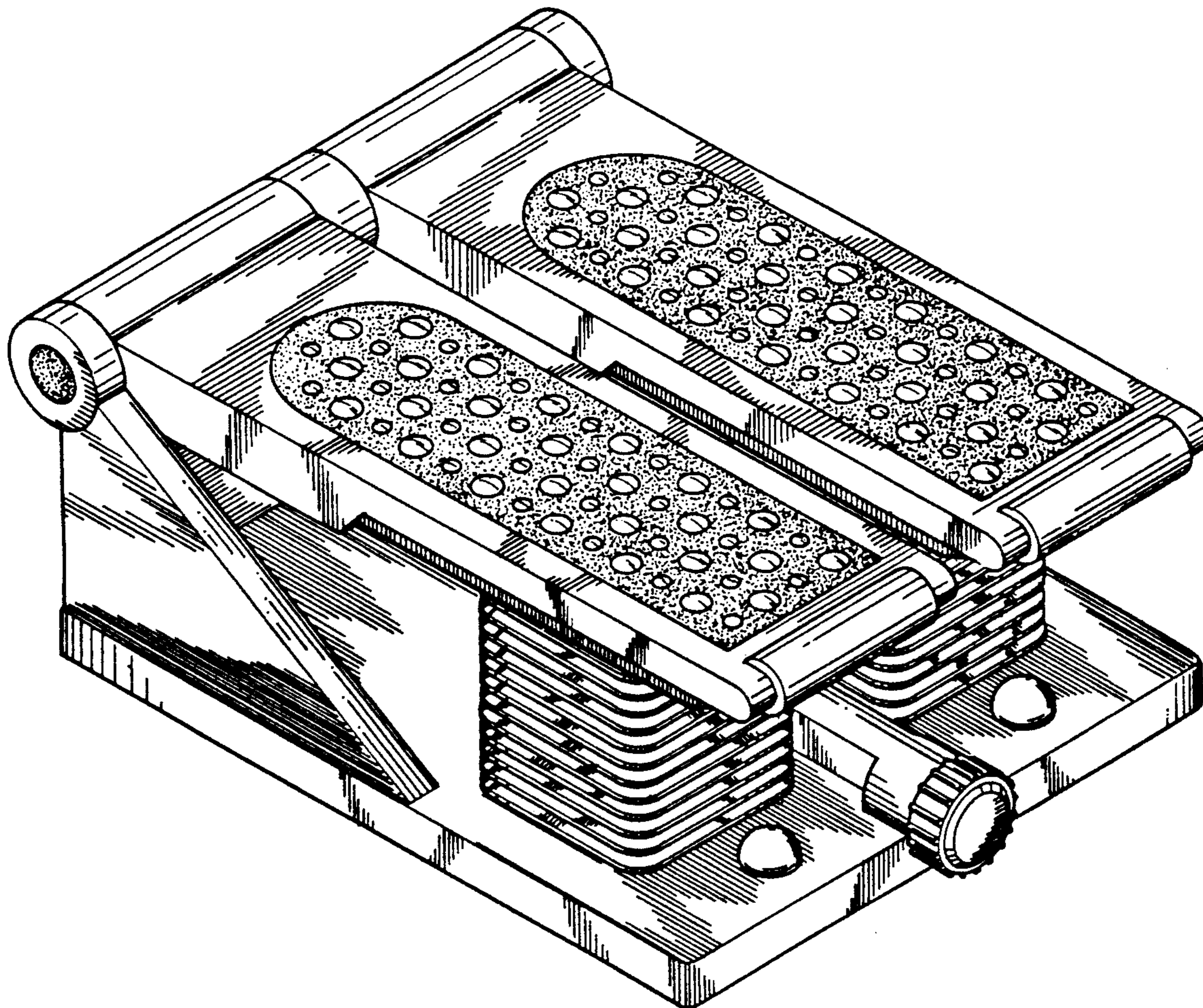
DESCRIPTION

FIG. 1 is a perspective view of a jogging exerciser showing my new design;
FIG. 2 is a front view thereof;
FIG. 3 is a rear view thereof;
FIG. 4 is a left view thereof;
FIG. 5 is a right view thereof;
FIG. 6 is a top plan view thereof; and,
FIG. 7 is a bottom plan view.

[56] References Cited

U.S. PATENT DOCUMENTS

D. 251,076	2/1979	Ide	D21/192
D. 277,220	1/1985	Herburger	D21/192
D. 281,343	11/1985	Krive	D21/192
D. 314,219	1/1991	Lo	D21/191
4,693,470	9/1987	Ogawa	482/79
5,199,934	4/1993	Lin	482/79



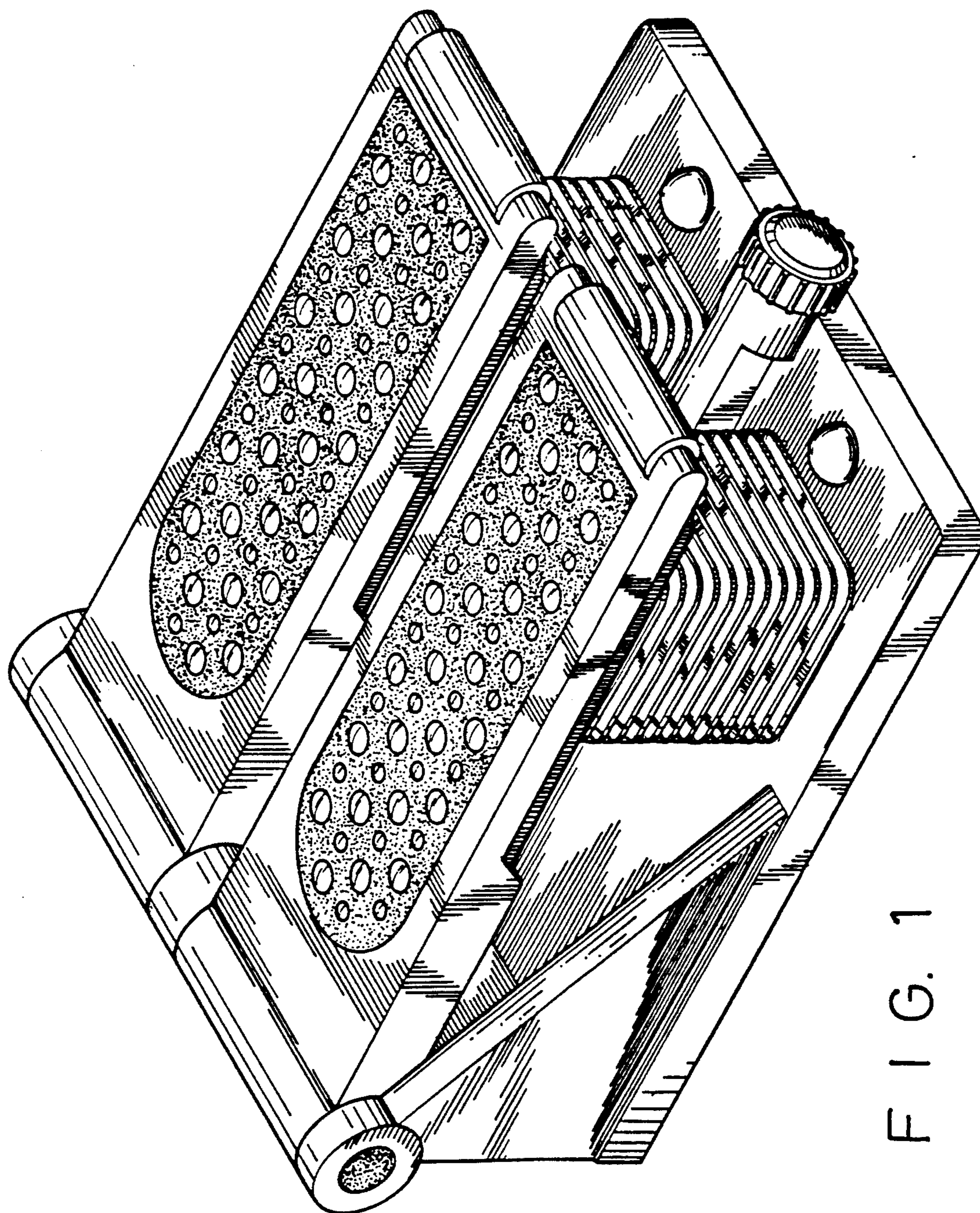


FIG. 1

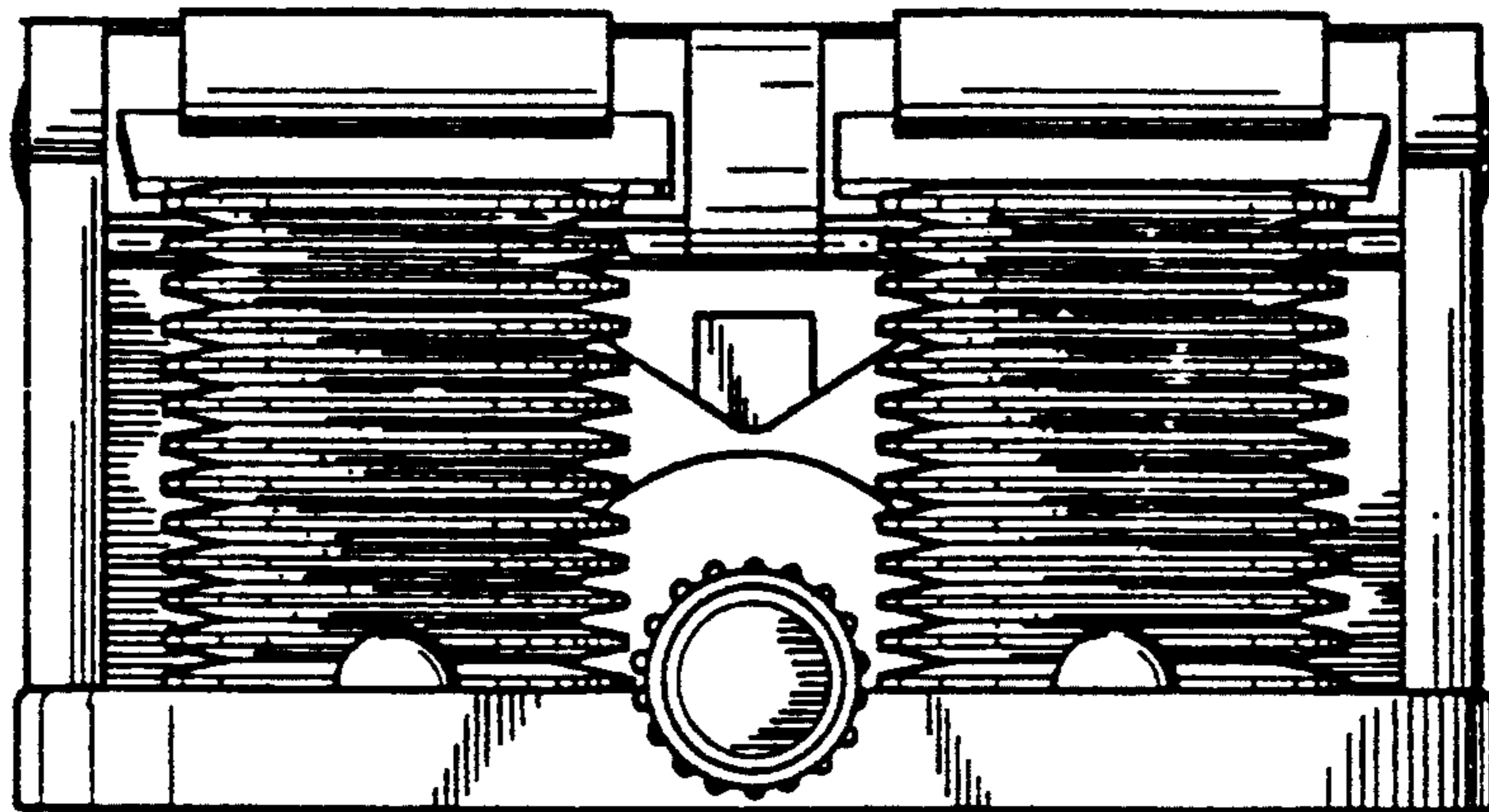


FIG. 2

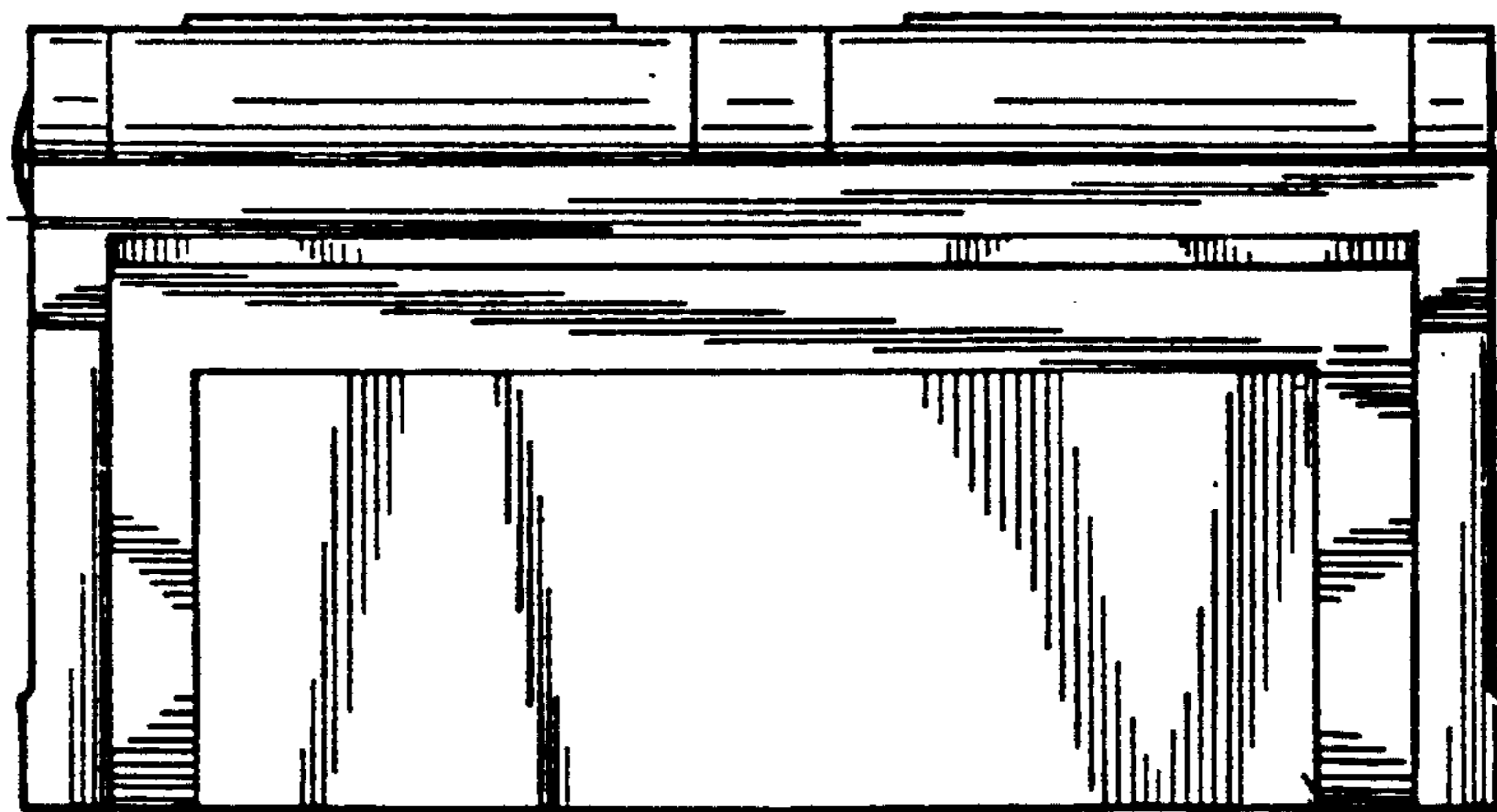


FIG. 3

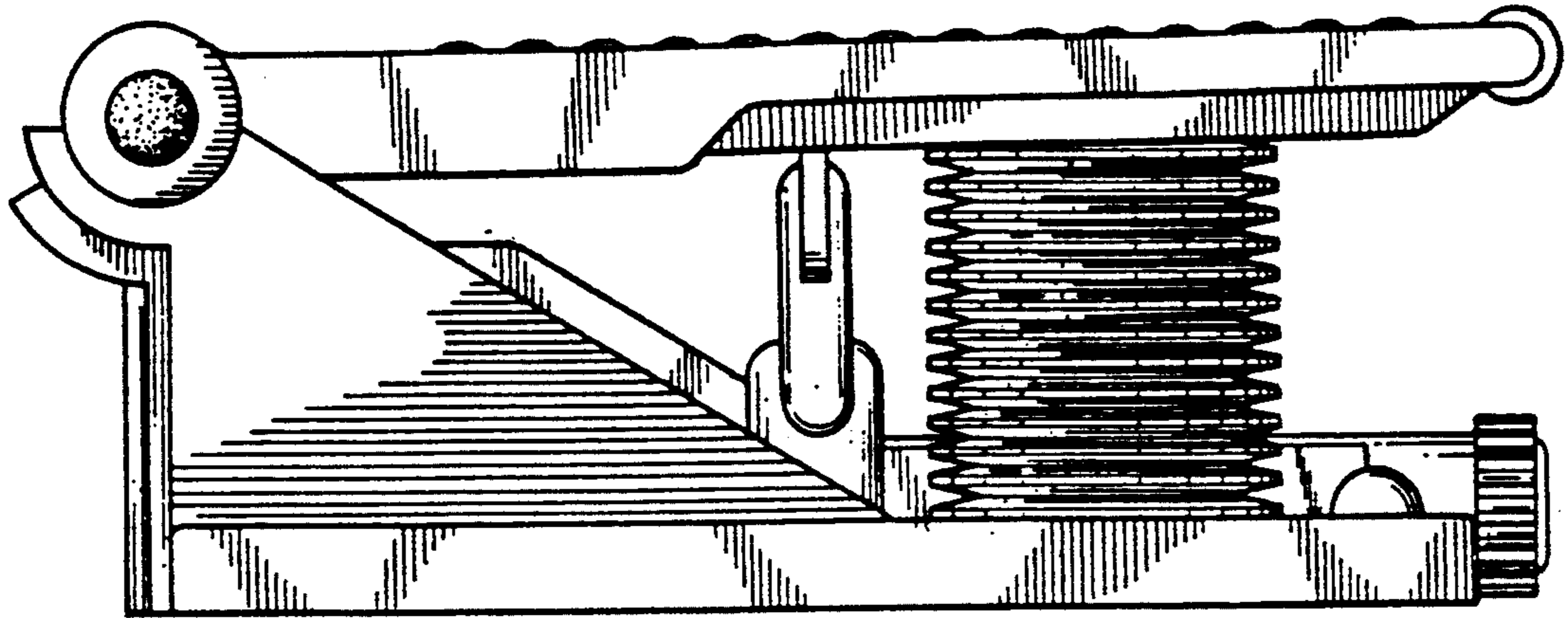


FIG. 4

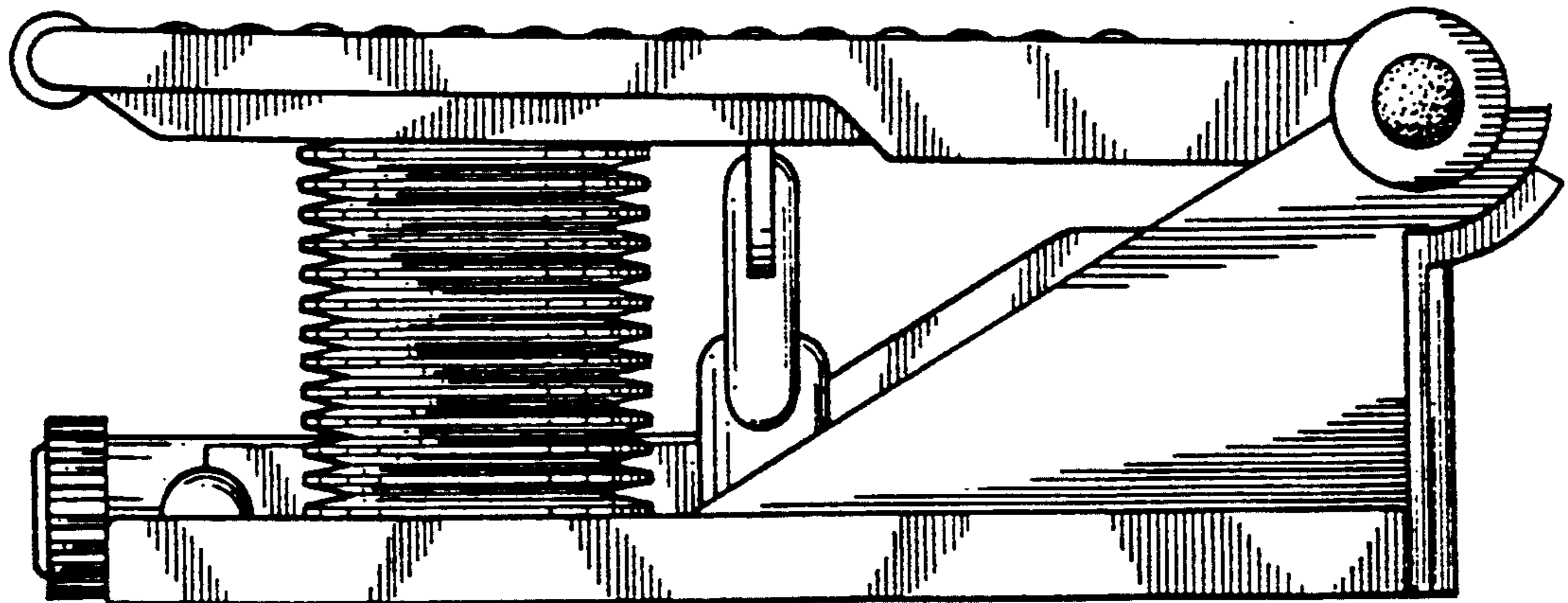


FIG. 5

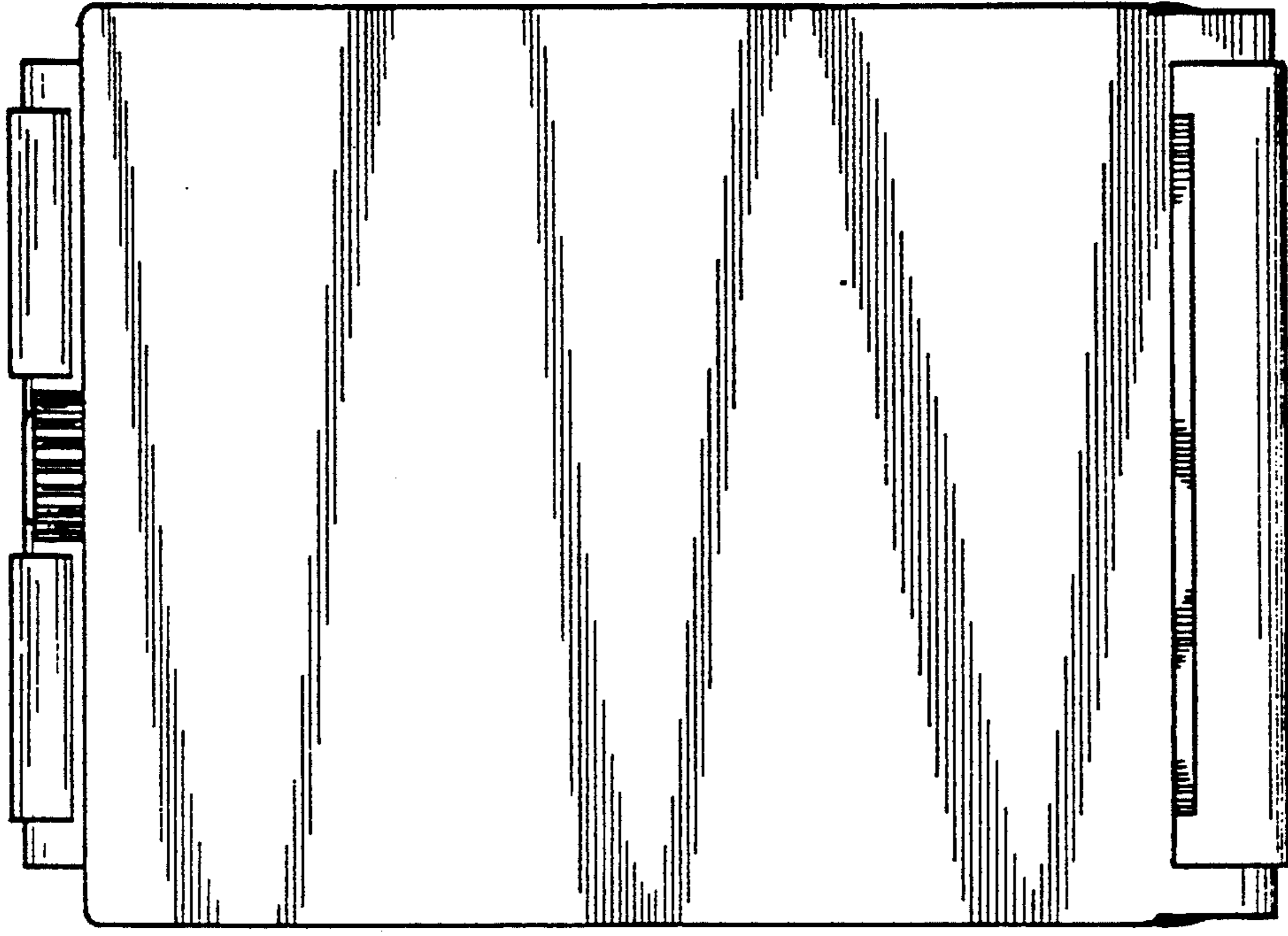


FIG. 7

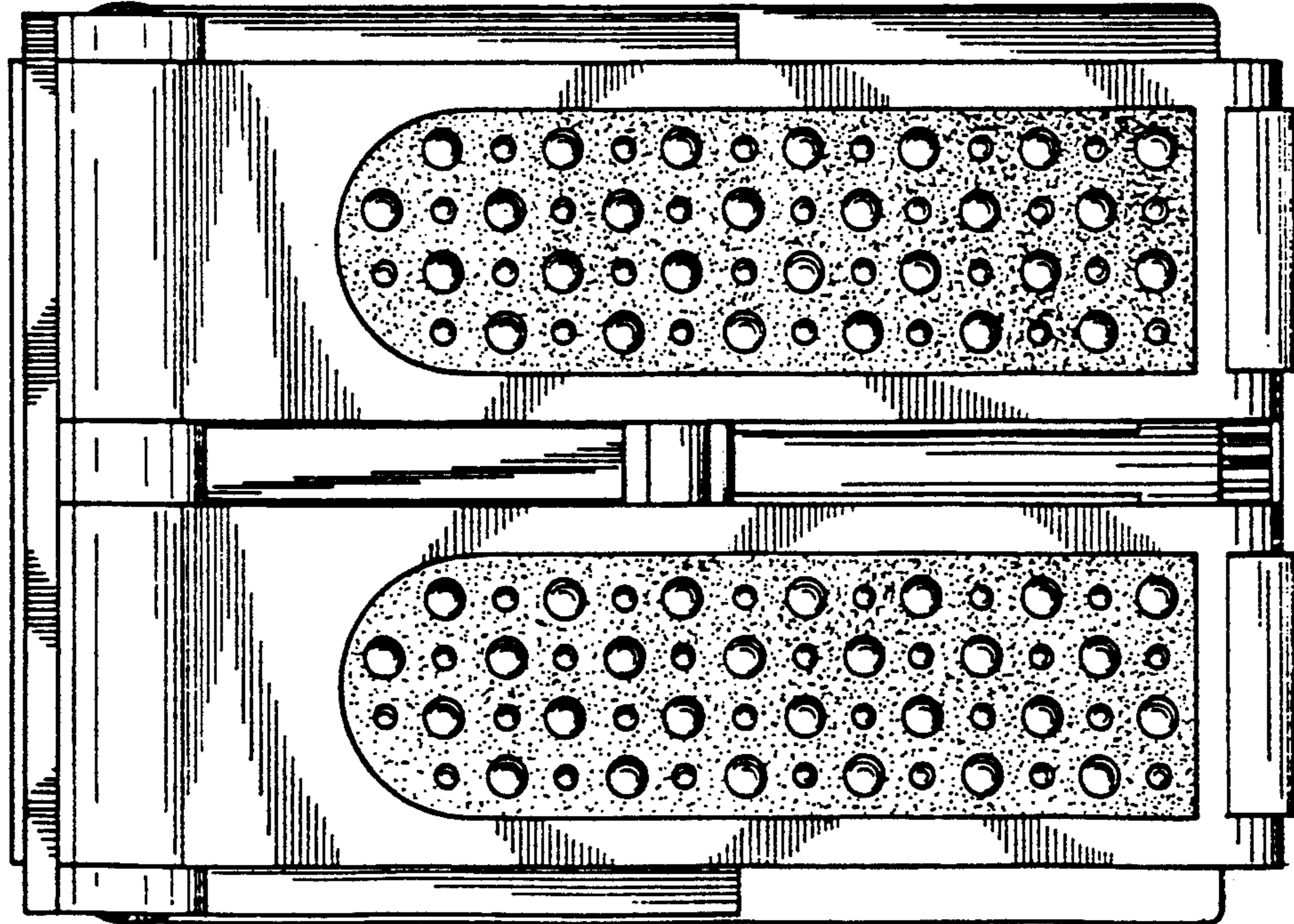


FIG. 6