



US00D348700S

United States Patent [19]

[11] Patent Number: **Des. 348,700**

Lin

[45] Date of Patent: **** Jul. 12, 1994**

[54] **TOY BAZOOKA**

[75] Inventor: **Chao-Ching Lin, Pei-Tou Tapiei, Taiwan**

[73] Assignee: **Regency, Inc., New York, N.Y.**

[**] Term: **14 Years**

[21] Appl. No.: **922,960**

[22] Filed: **Jul. 31, 1992**

[52] U.S. Cl. **D21/146**

[58] Field of Search **446/267, 473; 124/25, 124/24.1; 482/83, 12; 89/1.816; D21/145, 146, 147; D22/107-108, 118; D23/225**

[56] **References Cited**

U.S. PATENT DOCUMENTS

D. 194,323	1/1963	Robbins	D21/146
D. 207,172	3/1967	Ryan	D21/146
3,371,578	3/1968	Choate	89/1.816
3,890,879	6/1975	Looger	89/1.816
4,531,445	7/1985	Nee	89/1.816

Primary Examiner—Bernard Ansher

Assistant Examiner—R. Barkai
Attorney, Agent, or Firm—Levine & Mandelbaum

[57] **CLAIM**

The ornamental design for a toy bazooka, as shown and described.

DESCRIPTION

FIG. 1 is a side elevation view of the toy bazooka of the invention in the extended disposition, the side opposite being a mirror image;

FIG. 2 is a top plan view of the toy bazooka of the invention in an extended disposition;

FIG. 3 is a bottom plan view of the toy bazooka of the invention in an extended disposition;

FIG. 4 is a rear end view of the toy bazooka of the invention in an extended disposition;

FIG. 5 is a front end view of the toy bazooka of the invention in an extended disposition; and,

FIG. 6 is a perspective view of the toy bazooka of the invention in a collapsed disposition.

The strap shown in broken lines in FIGS. 1 and 3-6 are for illustrative purposes only and forms no part of the claimed design.

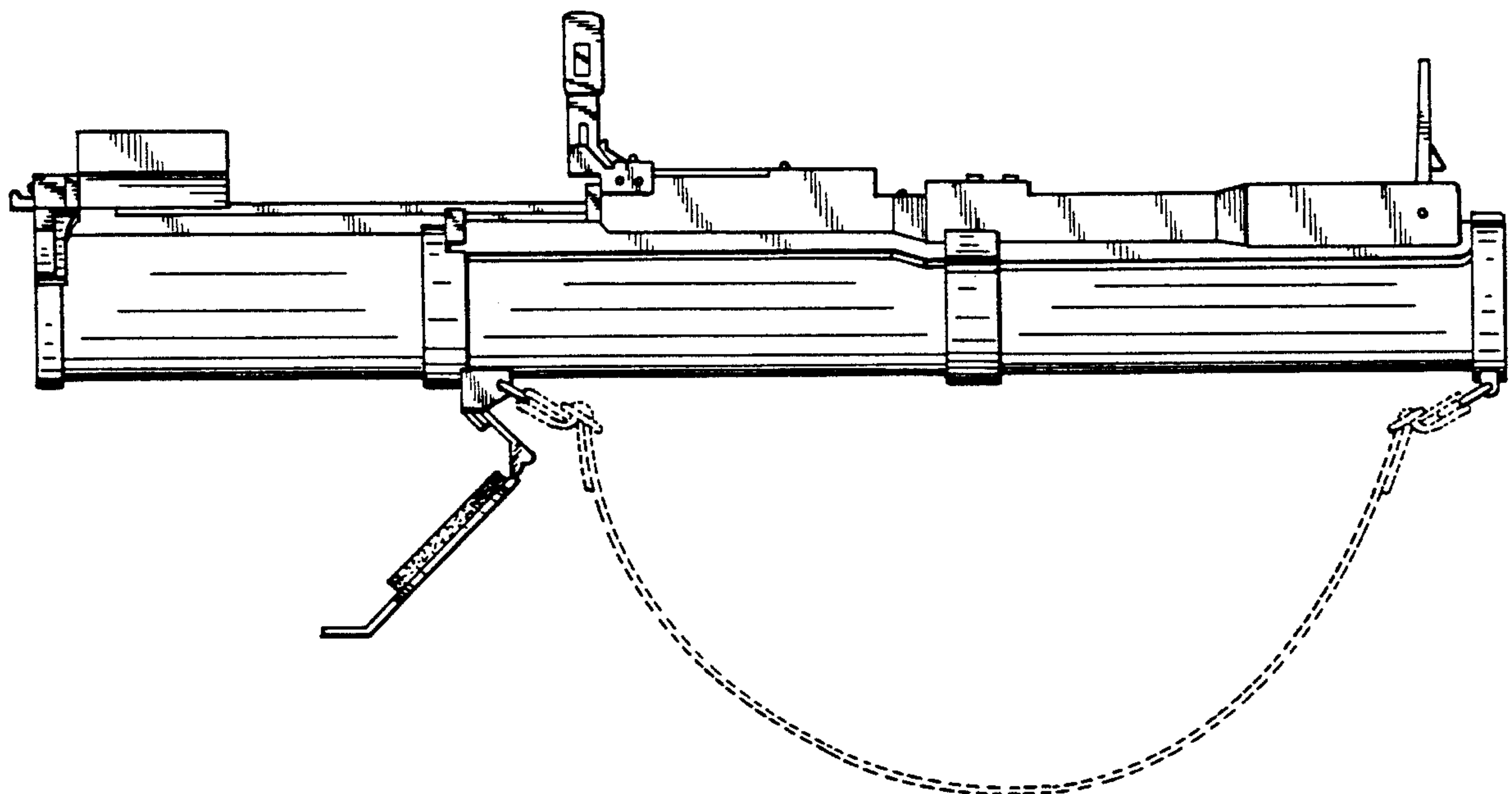


FIG. 1

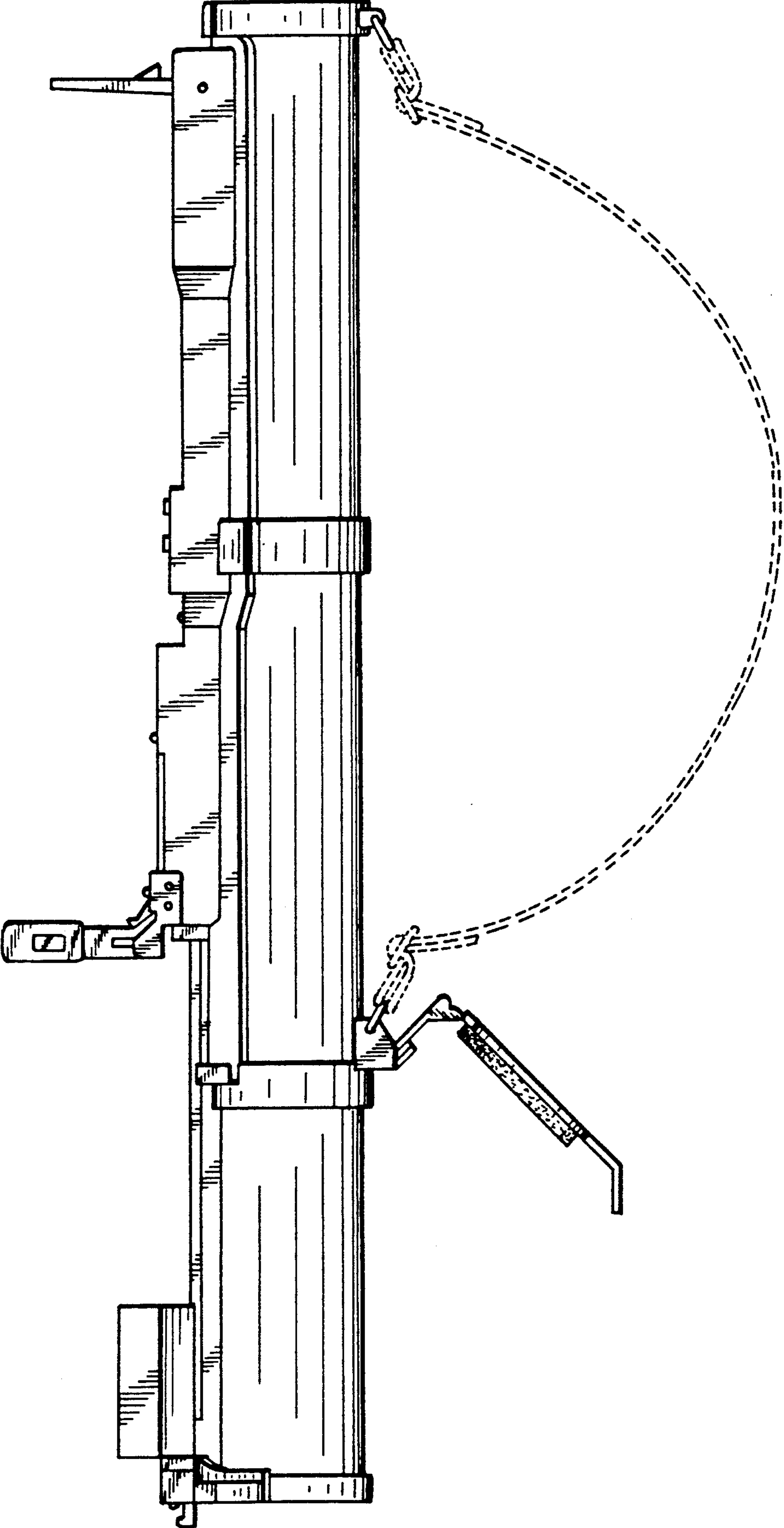


FIG. 2

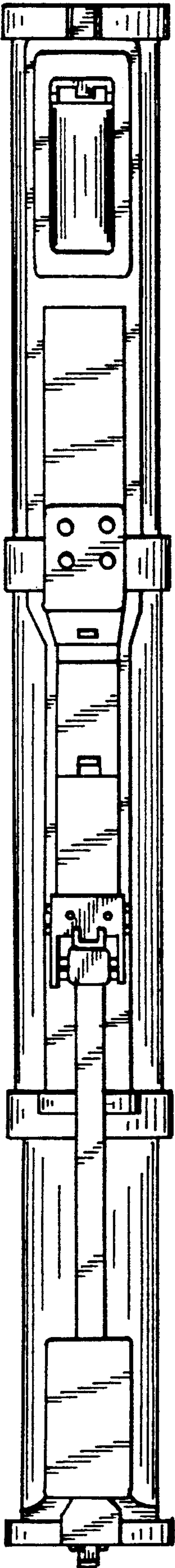


FIG. 3

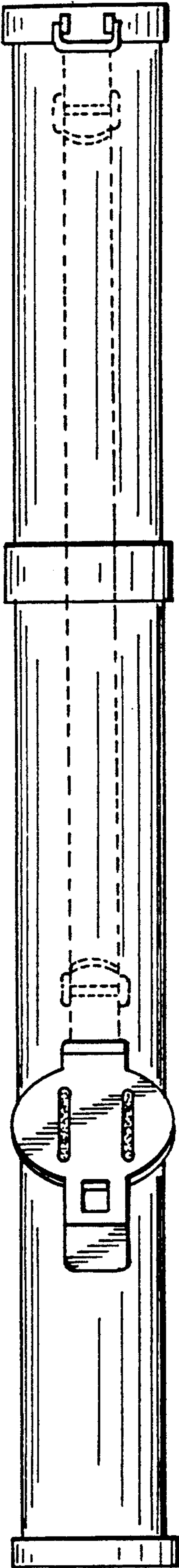


FIG. 5

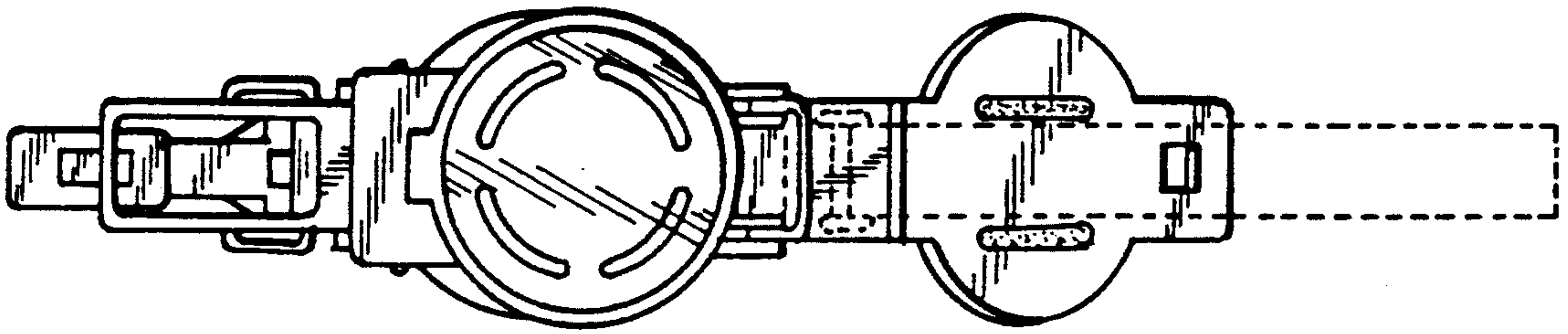


FIG. 4

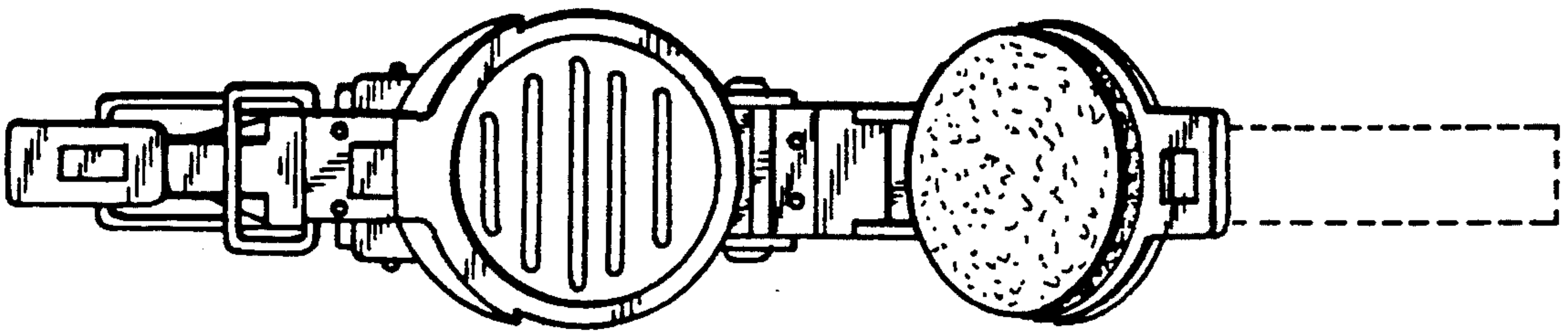


FIG. 6

