



US00D348693S

# United States Patent [19]

[11] Patent Number: Des. 348,693

Tillyer, Sr.

[45] Date of Patent: \*\* Jul. 12, 1994

[54] PAPER HOLDER

[76] Inventor: John N. Tillyer, Sr., 64 Middle St., Saco, Me. 04072

[\*\*] Term: 14 Years

[21] Appl. No.: 1,045

[22] Filed: Nov. 2, 1992

[52] U.S. Cl. .... D19/86; D7/631; D19/92

[58] Field of Search ..... D7/624, 631; 211/13, 211/11, 126, 45, 50; 206/215, 555; D19/75, 65, 78, 86, 92, 95, 99, 100

[56] **References Cited**

**U.S. PATENT DOCUMENTS**

D. 264,352	5/1982	Goutchat .....	D6/515 X
D. 294,956	3/1988	Hagberg et al. ....	D19/78 X
D. 313,546	1/1991	Beirise et al. ....	D19/86 X
D. 322,462	12/1991	Wehrle .....	D19/92
3,171,347	3/1965	Elrod .....	D7/631 X
3,473,672	10/1969	Fincher .....	D7/631 X

**OTHER PUBLICATIONS**

Handsome Rewards, flyer see brass letter file, page center.

The Plastic Showcase, Nov. 1984, p. 2, see circled lucite napkin holder-left center.

Beacon Acrylics, ©1979, p. 2, see Octagon tray-page center.

*Primary Examiner*—Nelson C. Holtje  
*Assistant Examiner*—Martie Thompson  
*Attorney, Agent, or Firm*—William Nitkin

[57] **CLAIM**

The ornamental design for a paper holder, as shown and described.

**DESCRIPTION**

FIG. 1 is a side elevational view of a paper holder showing my new design, all other sides not shown being identical thereto;

FIG. 2 is a top plan view thereof;

FIG. 3 is a bottom plan view thereof;

FIG. 4 is a perspective view thereof;

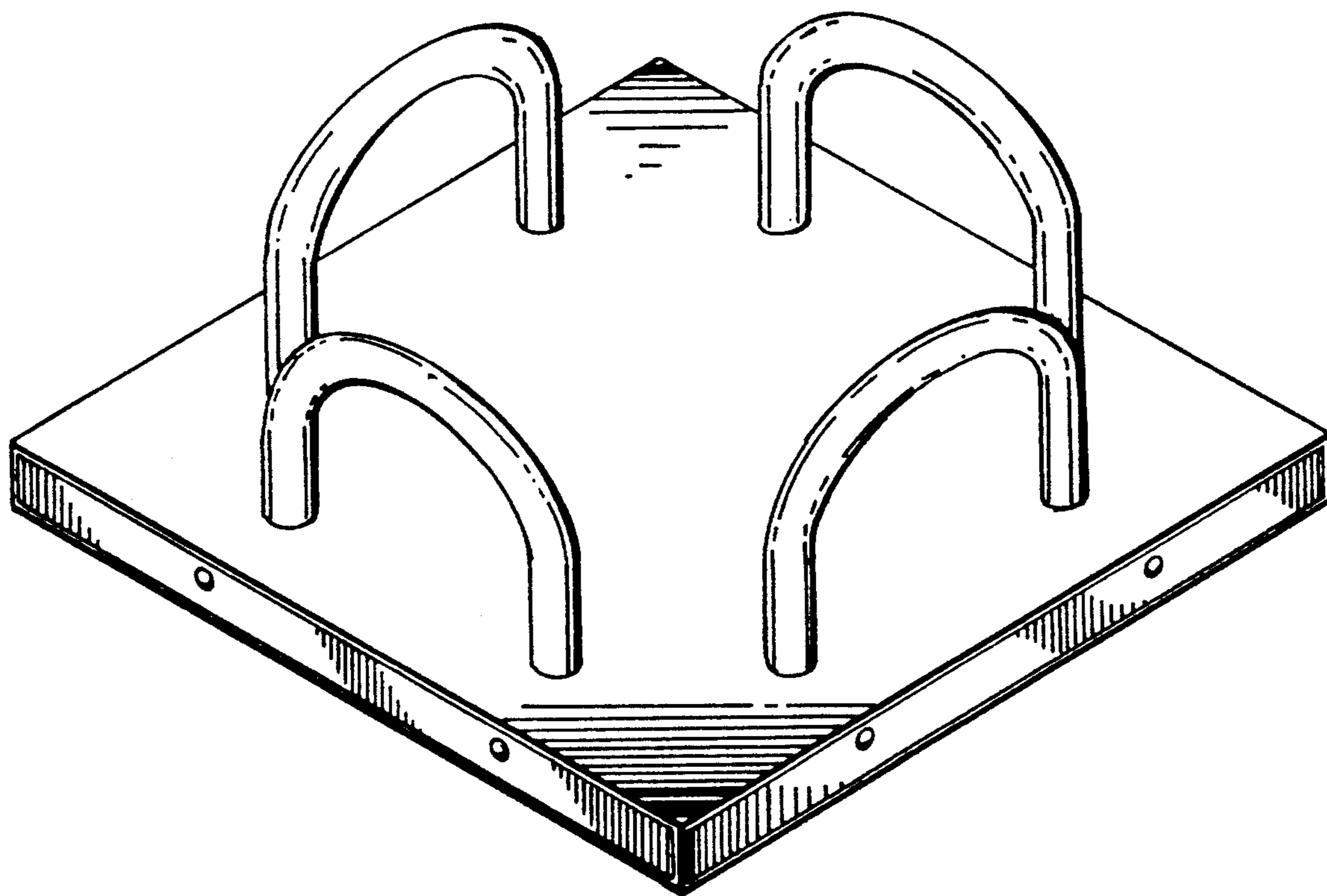
FIG. 5 is a reduced perspective view, with the pad of paper depicted by means of broken lines shown for illustrative purposes only and forming no part of the claimed design;

FIG. 6 is a front elevational view of a second embodiment of my new design, the rear view being identical thereto;

FIG. 7 is a top plan view of the embodiment of FIG. 6; FIG. 8 is a bottom plan view of the embodiment of FIG. 6;

FIG. 9 is an end elevational view of FIG. 6, the opposite end being identical thereto; and,

FIG. 10 is a perspective view of a third embodiment of my new design.



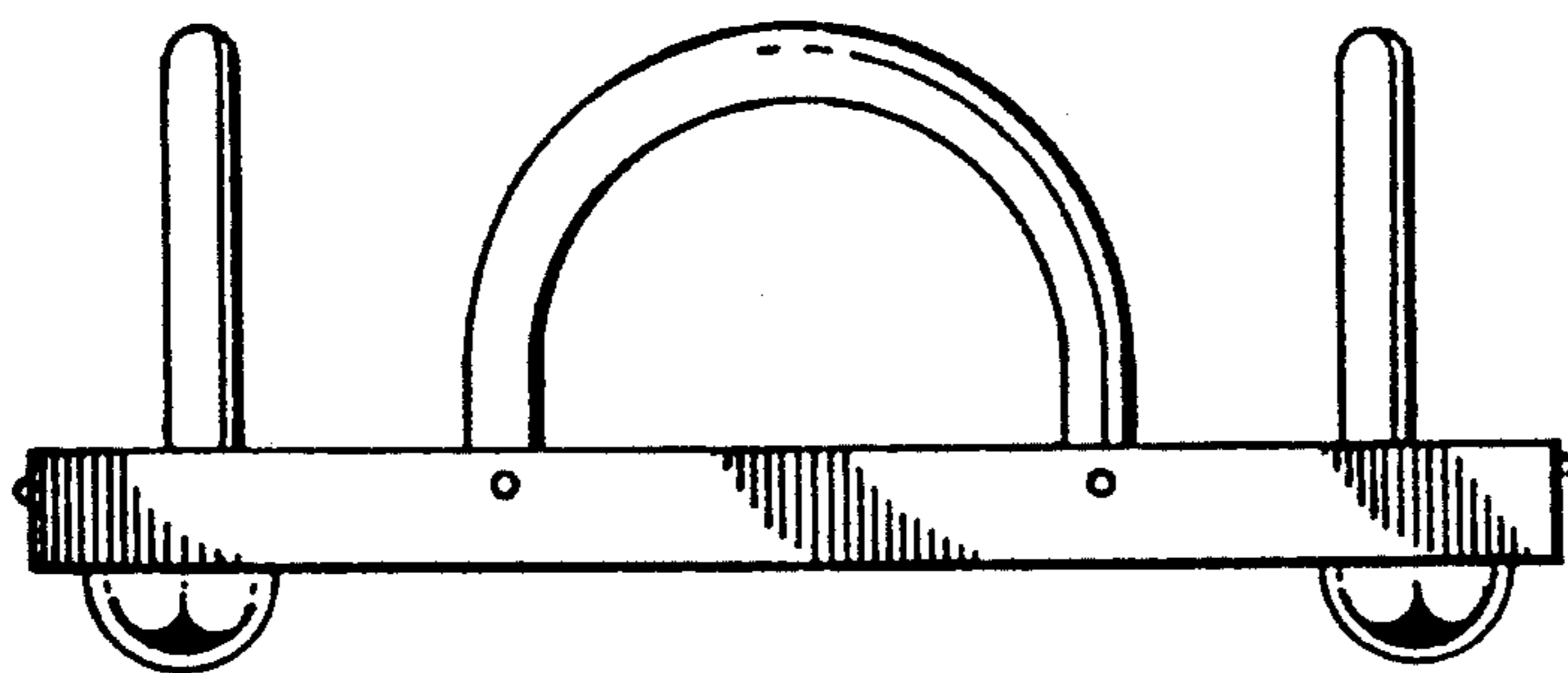


FIG. 1

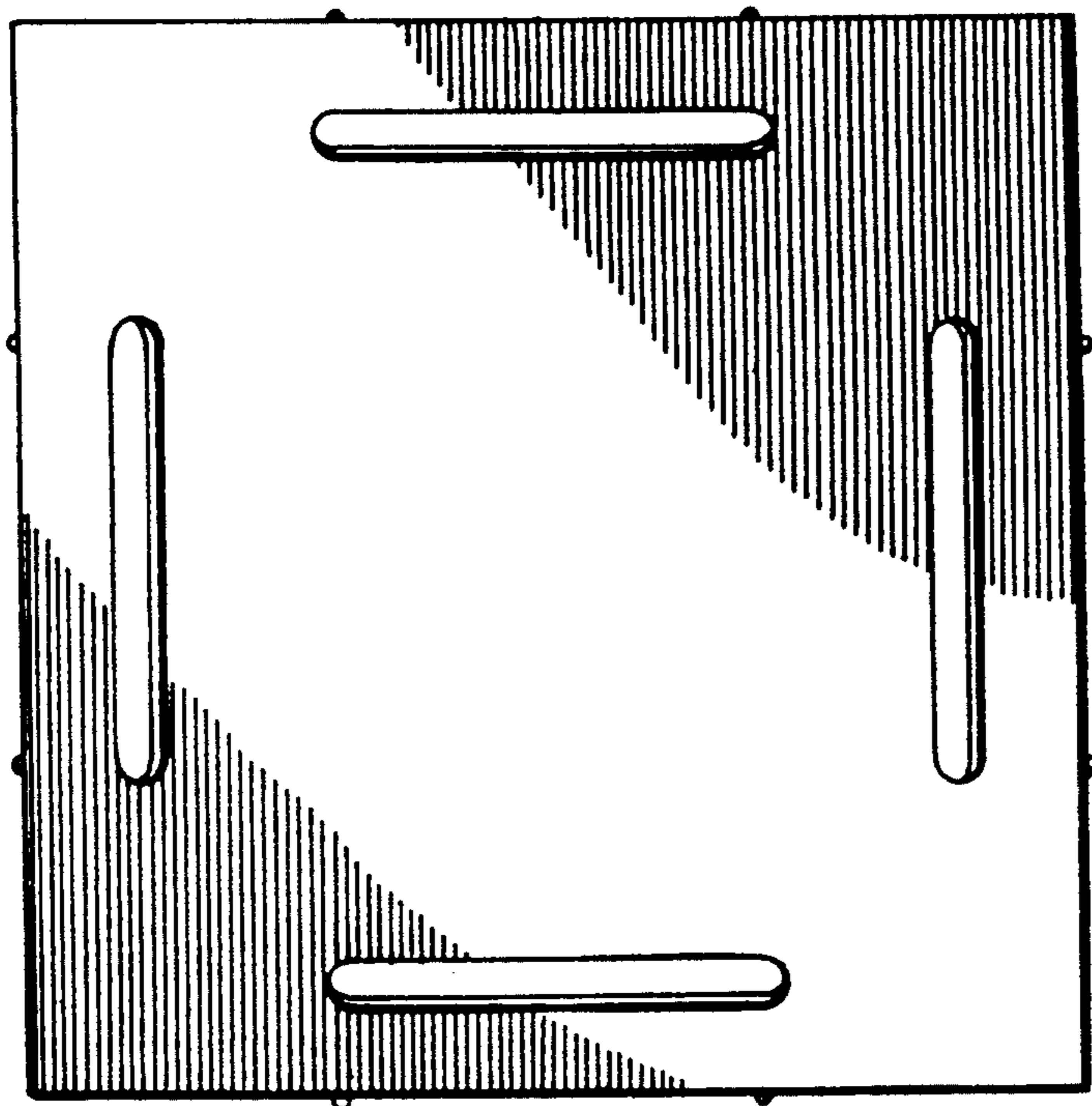


FIG. 2

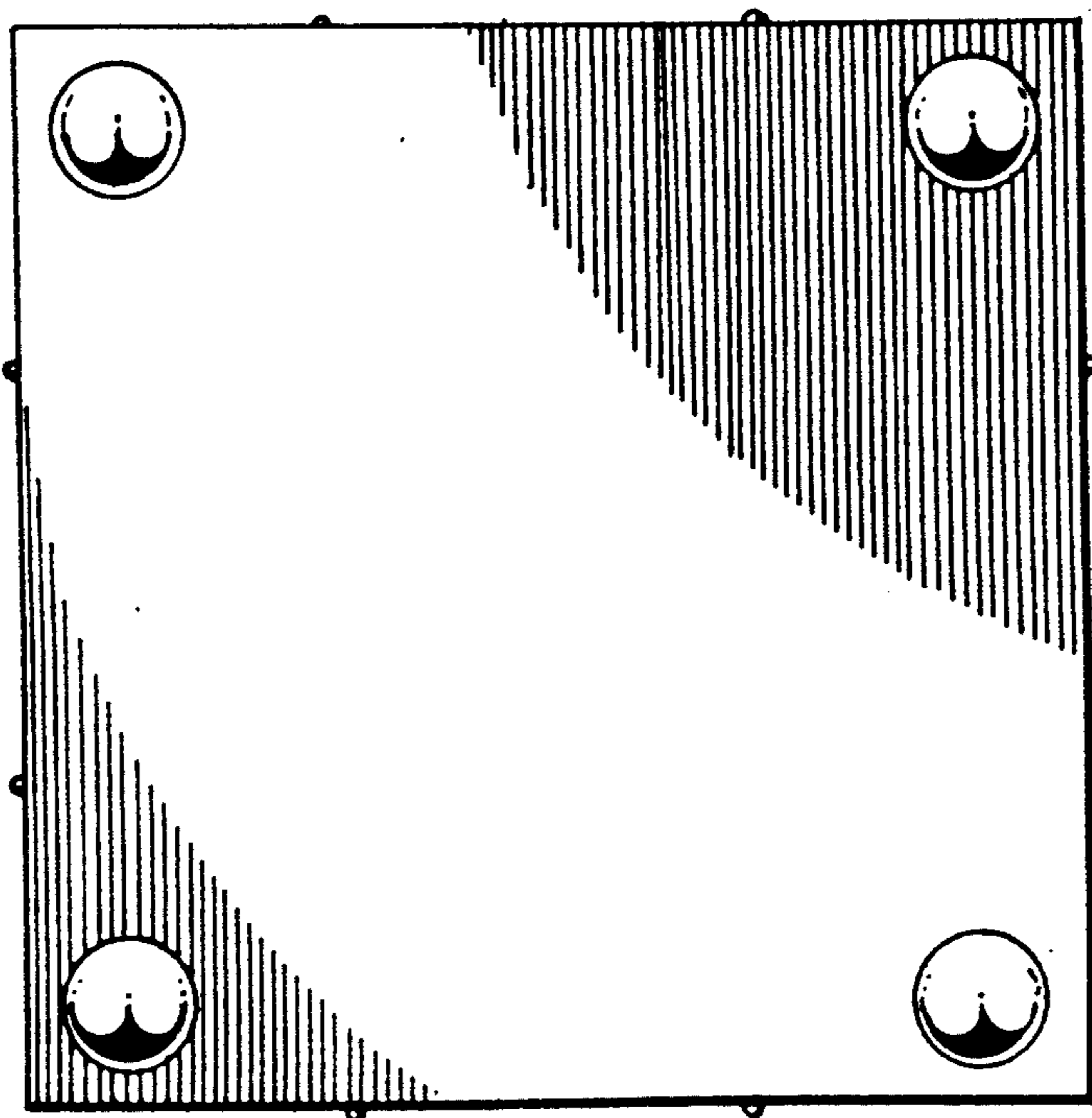


FIG. 3

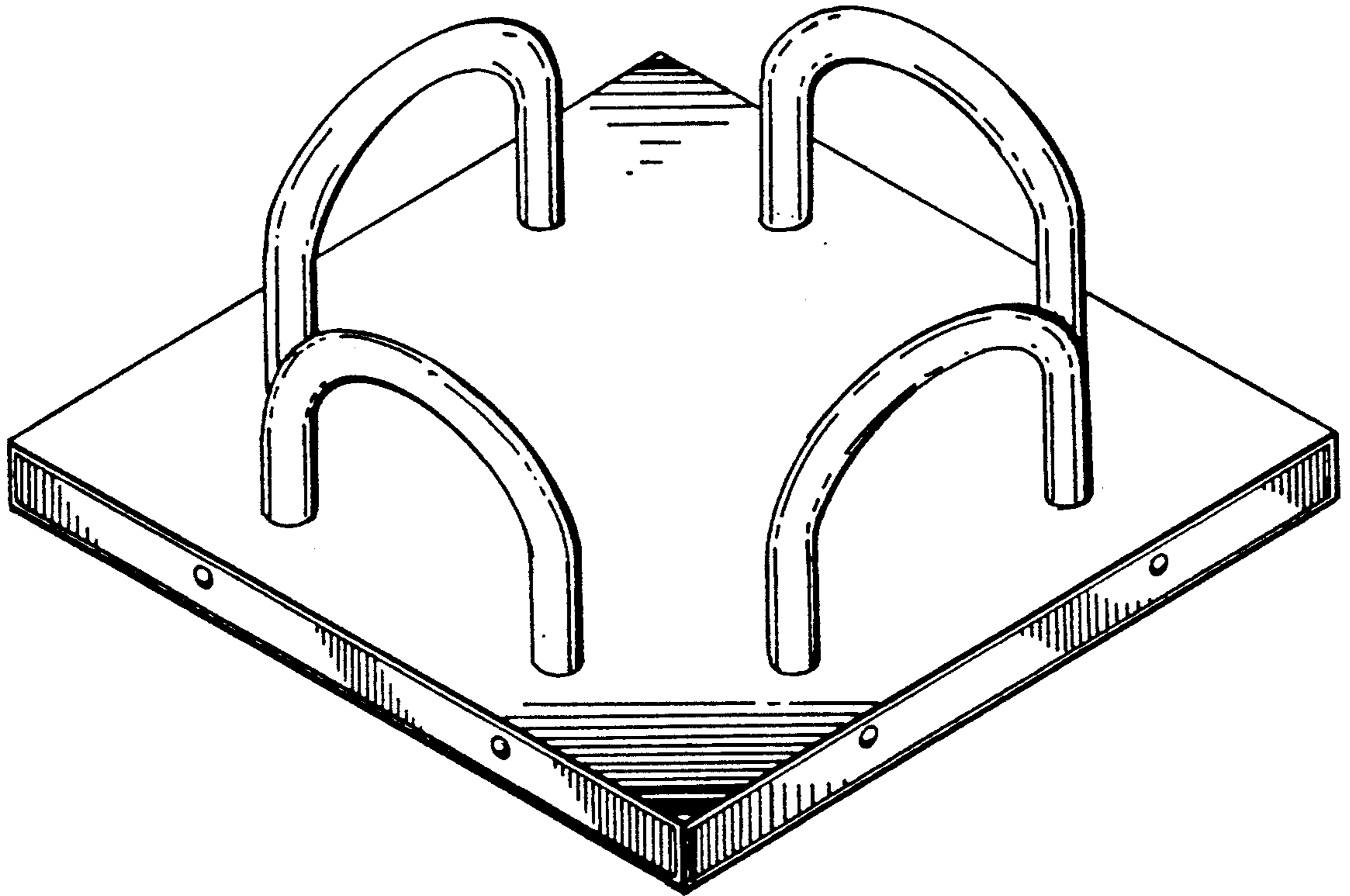


FIG. 4

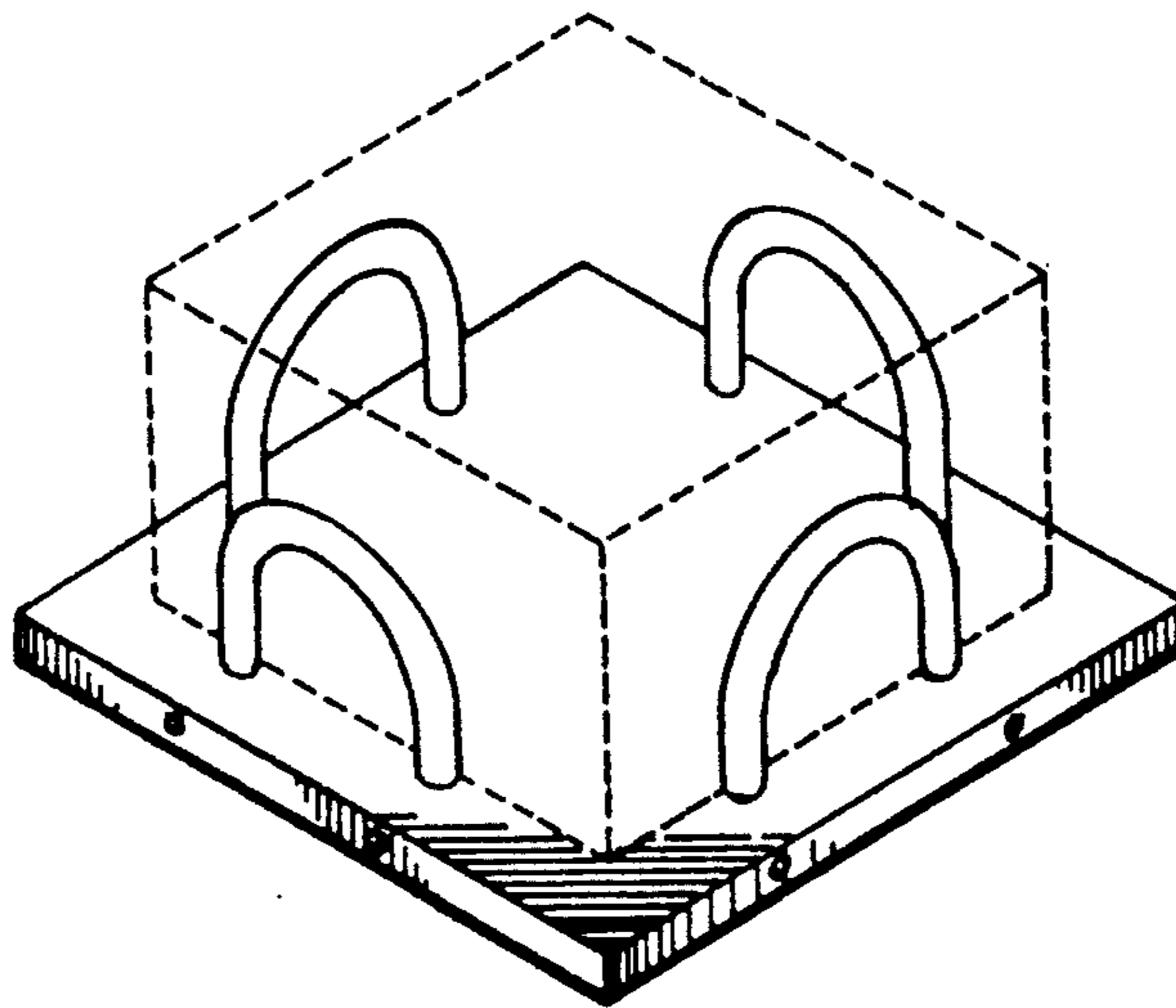


FIG. 5



FIG. 6

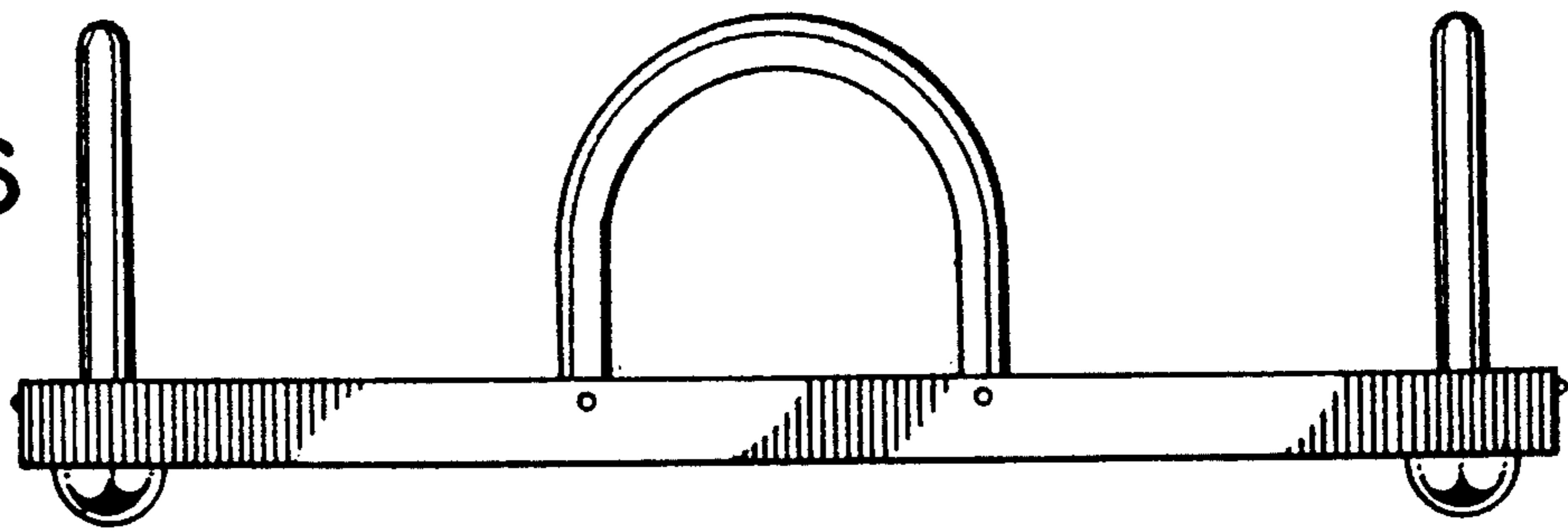


FIG. 7

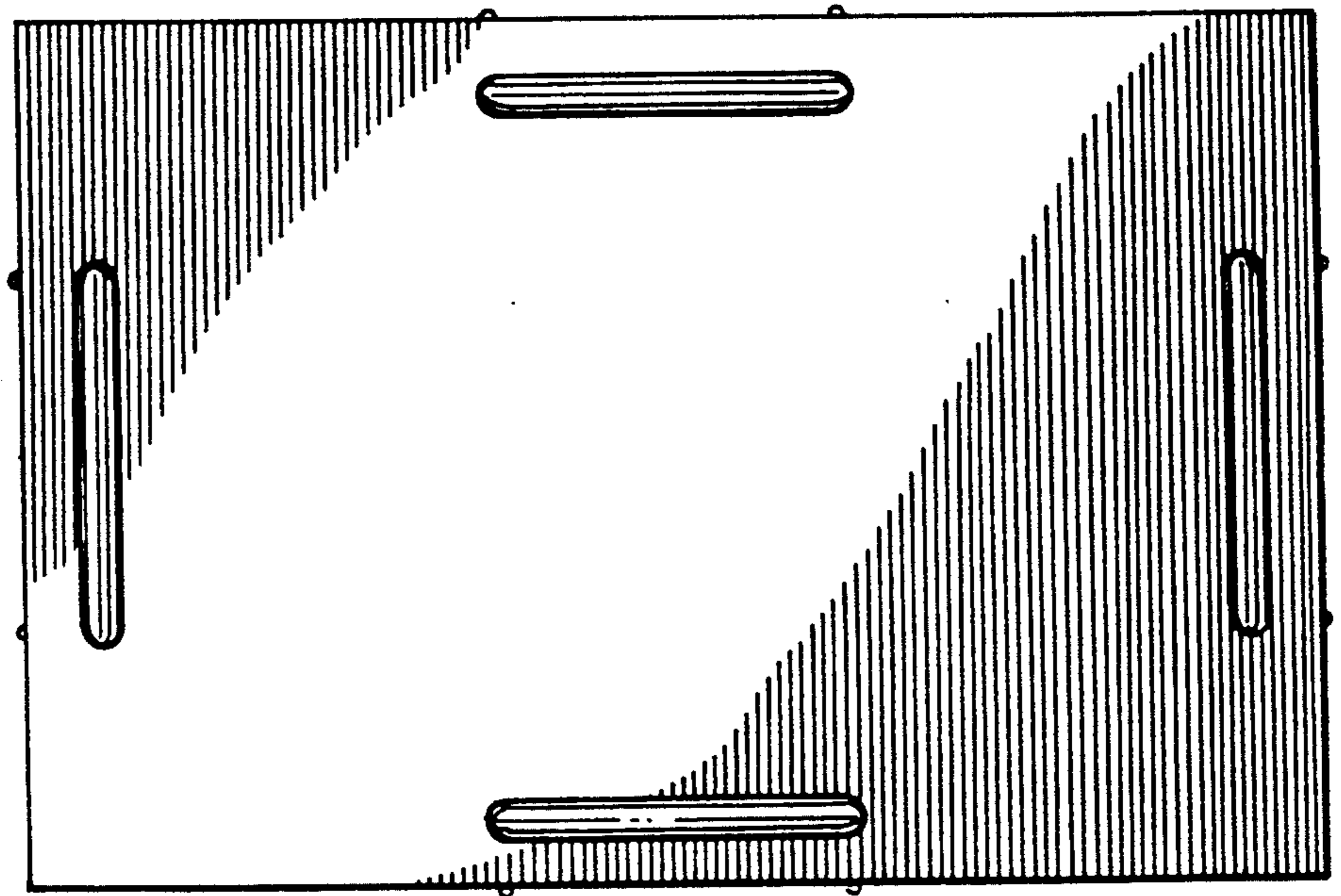
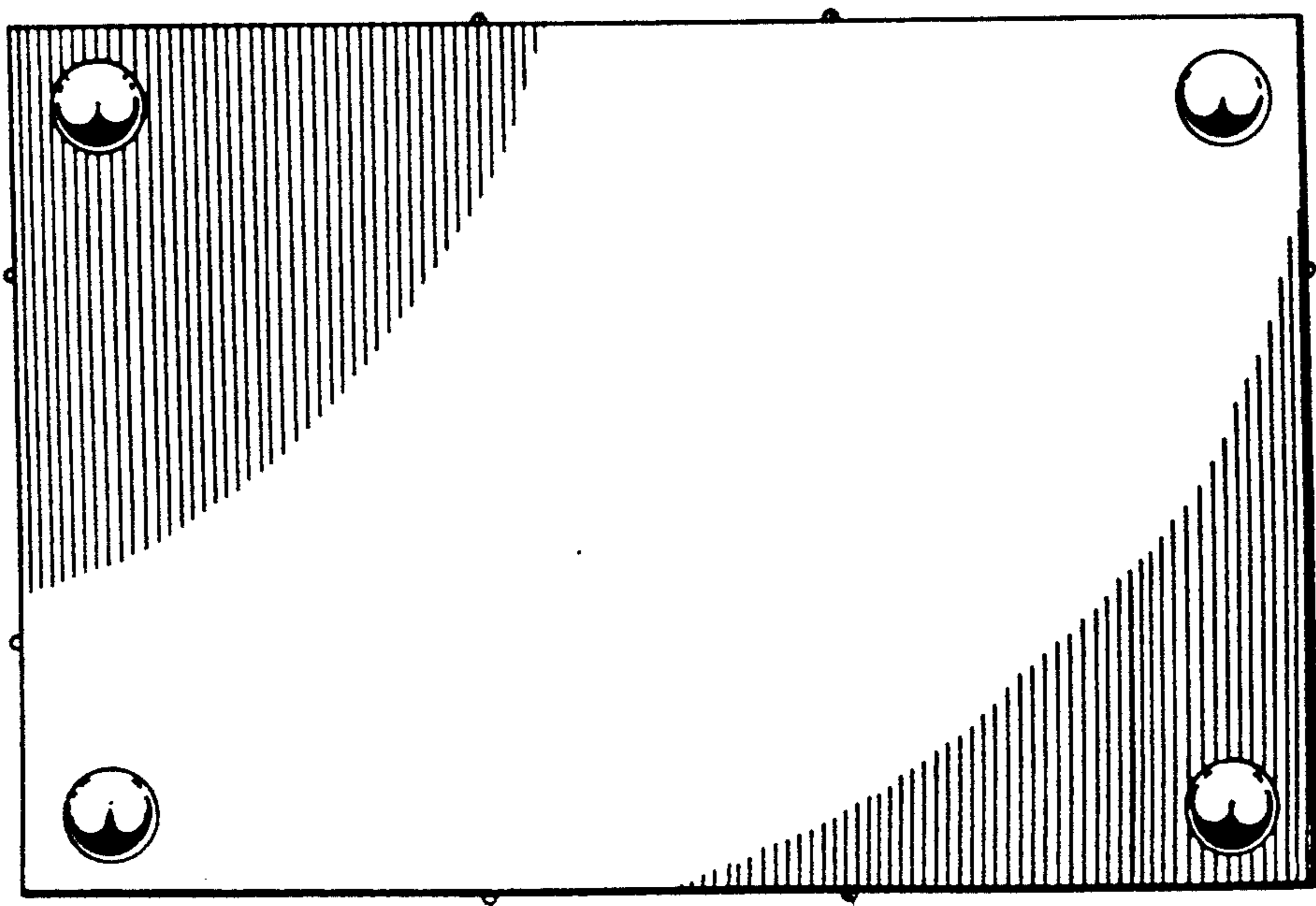


FIG. 8



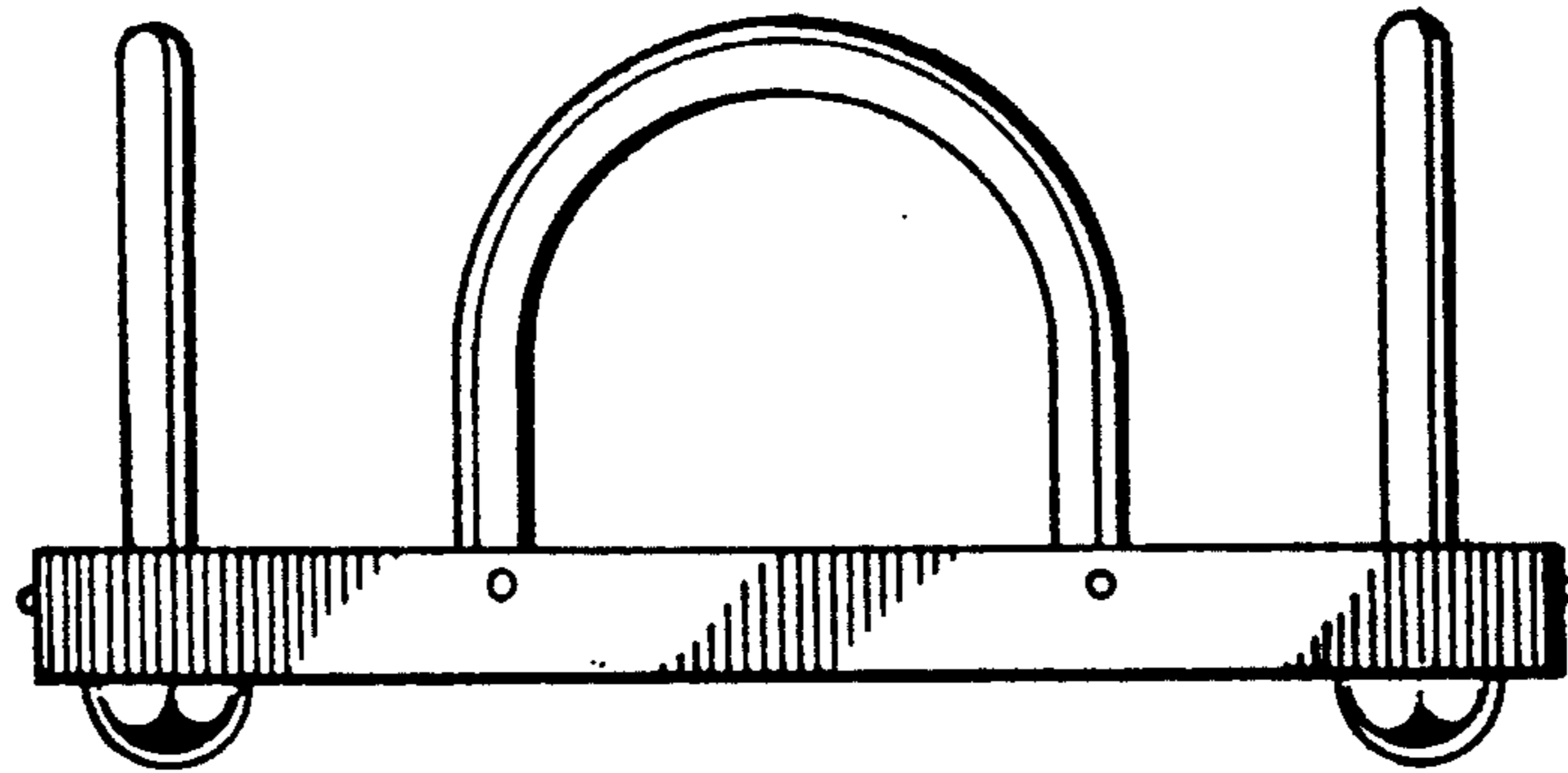


FIG. 9

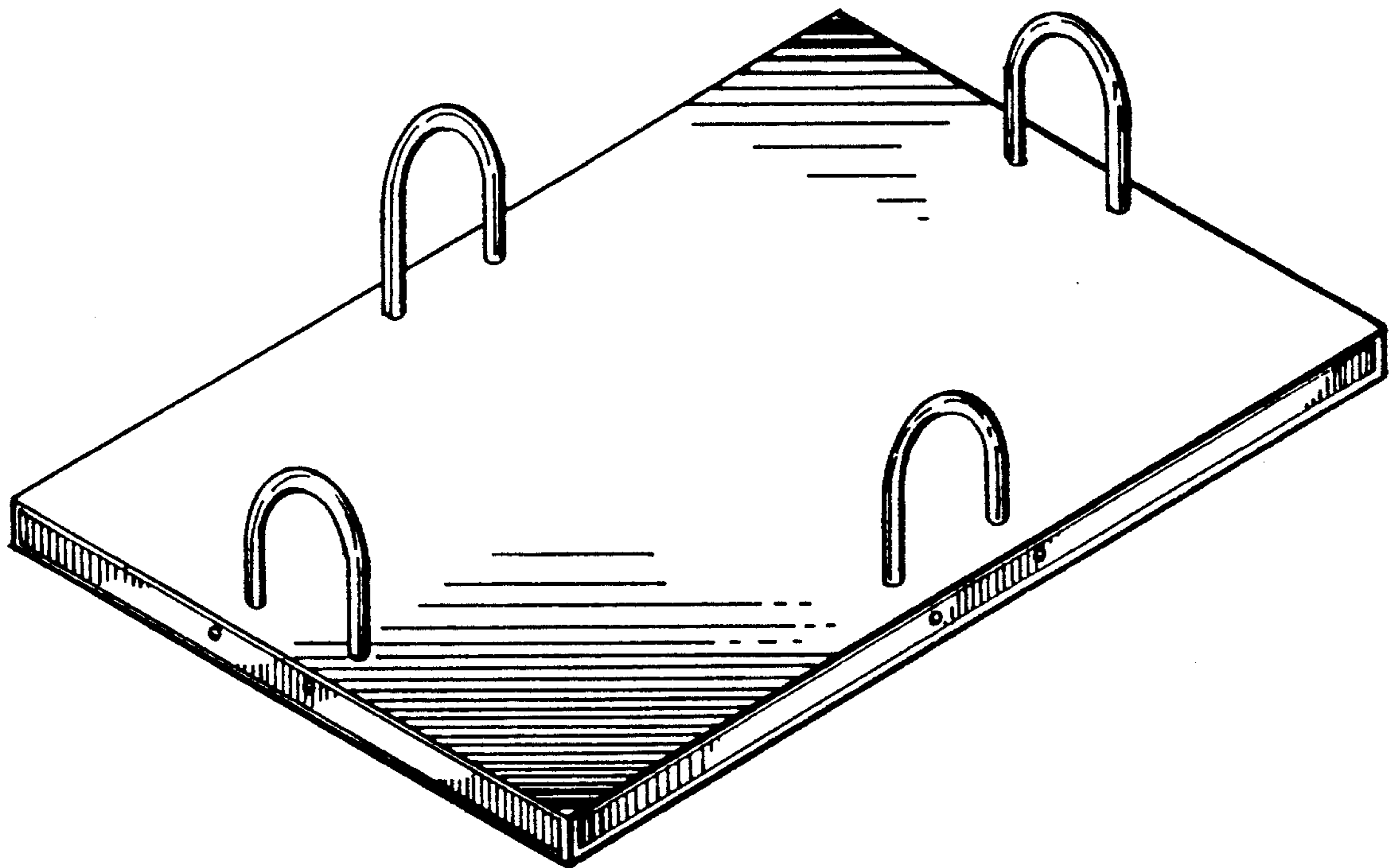


FIG. 10