



US00D348691S

United States Patent [19]

[11] Patent Number: **Des. 348,691**

Bell et al.

[45] Date of Patent: **** Jul. 12, 1994**

[54] **TAPE DISPENSER**

[75] Inventors: **Randall P. Bell**, River Forest; **James F. Caruso**, Chicago; **Walter B. Herbst**, Evanston, all of Ill.

[73] Assignee: **The Gillette Company**, Boston, Mass.

[**] Term: **14 Years**

[21] Appl. No.: **1,356**

[22] Filed: **Nov. 12, 1992**

[52] U.S. Cl. **D19/69; D19/67; D10/72**

[58] Field of Search **D3/62; 156/523, 510, 156/527, 584; 206/411; 242/55.3; 225/6, 19, 24, 34, 35, 45, 56, 65, 77, 89; D19/65, 67, 68, 69; D10/72**

D. 314,156	1/1991	Doyle	D10/72
D. 315,109	3/1991	Ingram, II et al.	D10/72
D. 319,347	8/1991	Vanlandingham, Jr. et al.	D3/62
D. 328,097	7/1992	Czech	D19/69
D. 328,098	7/1992	Czech	D19/69
D. 328,471	8/1992	Halm	D19/69
D. 330,566	10/1992	Czech	D19/69
D. 332,629	1/1993	Oh	D19/69
4,324,603	4/1982	Crandall et al.	156/584
4,591,407	5/1986	Samuelson	156/527
4,676,446	6/1987	Ciocarelli et al.	242/55
4,700,835	10/1987	Rognsvoog, Jr.	206/411
4,780,172	10/1988	Shea	156/527

Primary Examiner—Nelson C. Holtje
Assistant Examiner—Martie Thompson

[57] **CLAIM**

The ornamental design for a tape dispenser, as shown.

DESCRIPTION

FIG. 1 is a right front perspective view of a tape dispenser showing our new design;
FIG. 2 is a top plan view;
FIG. 3 is a front elevational view;
FIG. 4 is a right side elevational view;
FIG. 5 is a rear elevational view;
FIG. 6 is a left side elevational view; and,
FIG. 7 is a bottom plan view thereof.

[56] **References Cited**

U.S. PATENT DOCUMENTS

Re. 32,010	10/1985	Collins	156/527
D. 207,468	4/1967	Addis	D19/69
D. 231,485	4/1974	Albrecht	D10/72
D. 238,272	12/1976	Schleicher	156/527
D. 238,360	1/1976	Gibbs	D19/69
D. 310,846	9/1990	Sakurai	D19/67
D. 311,874	11/1990	Ingram, II et al.	D10/72

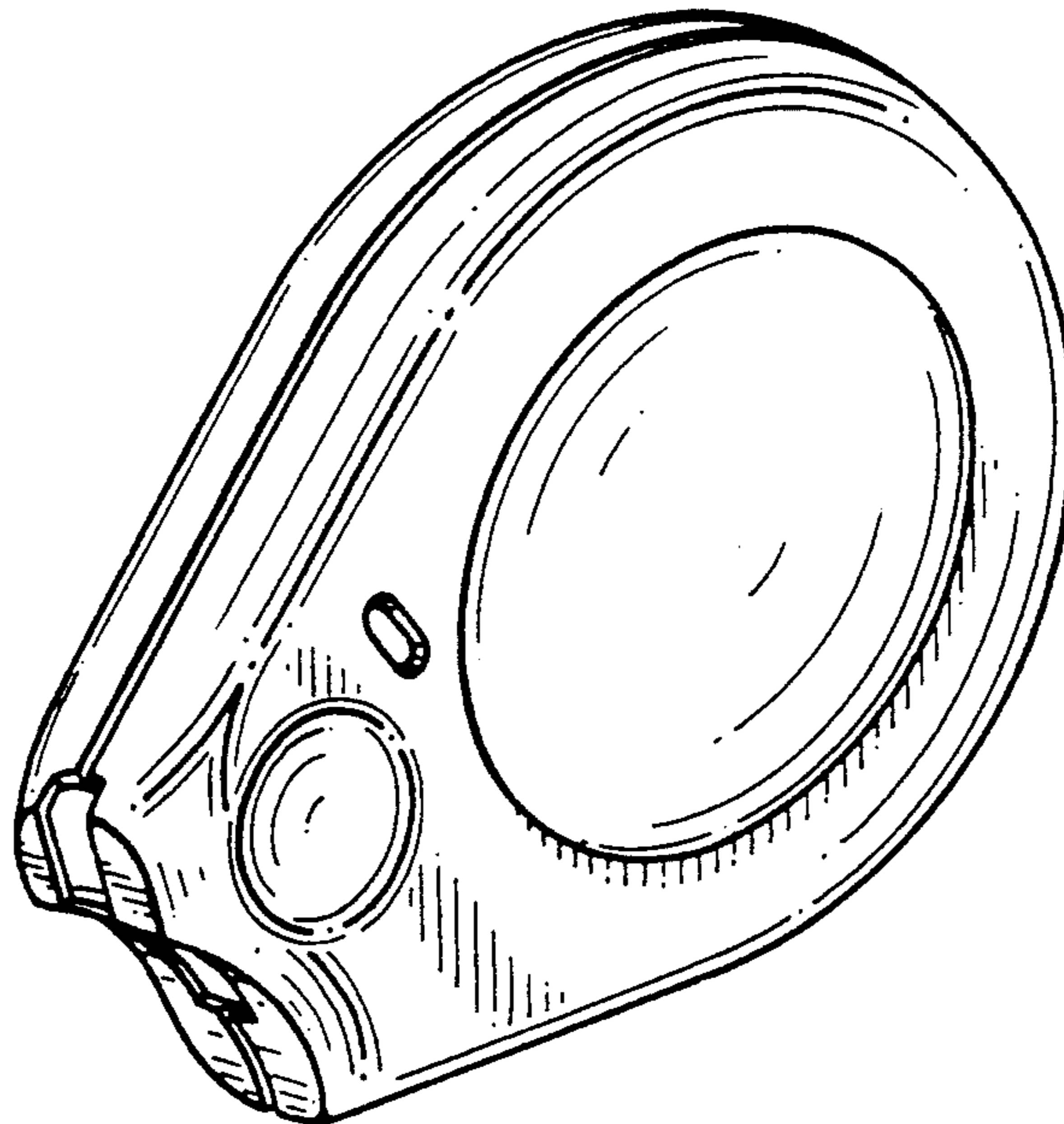
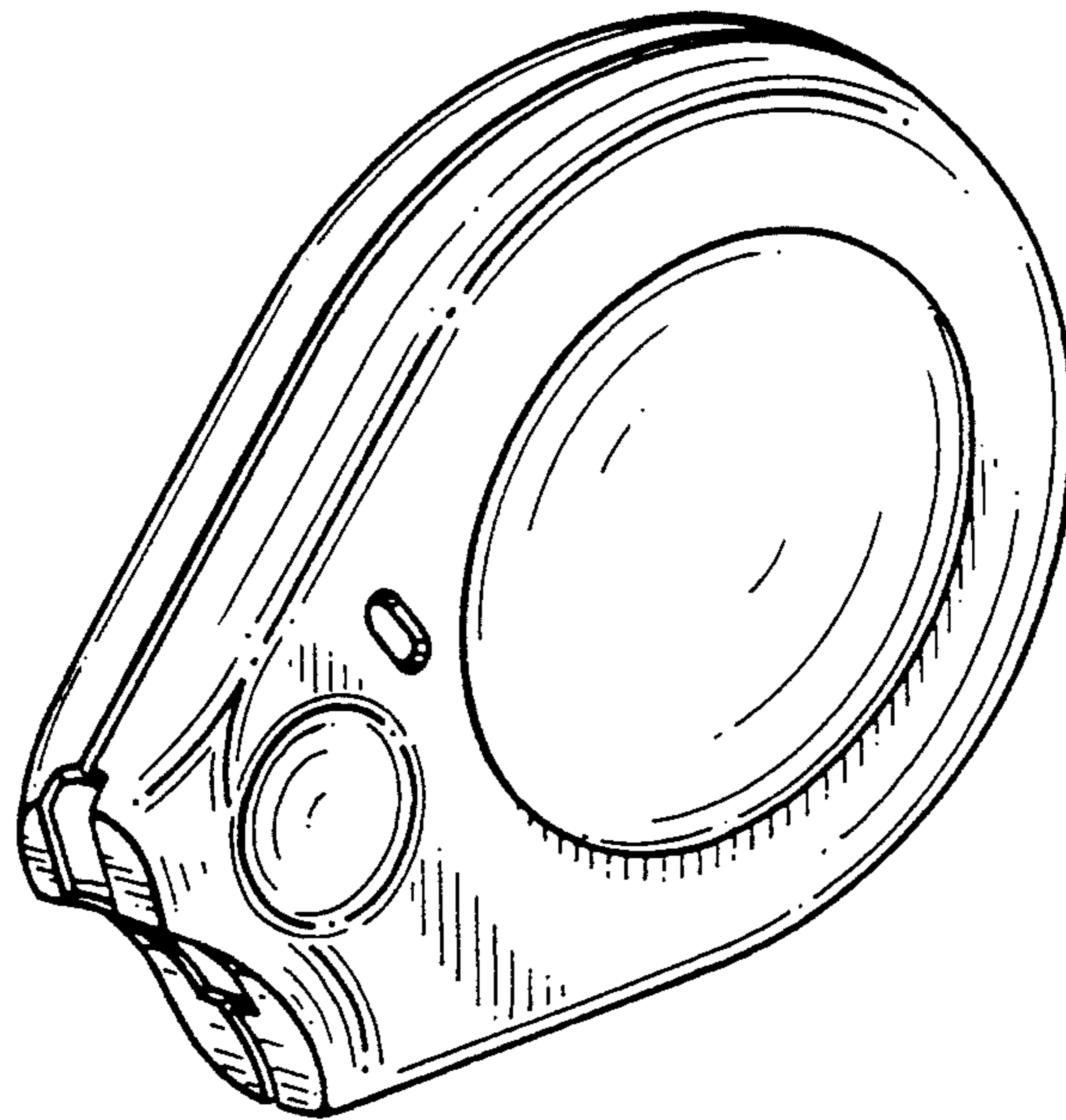


FIG-1



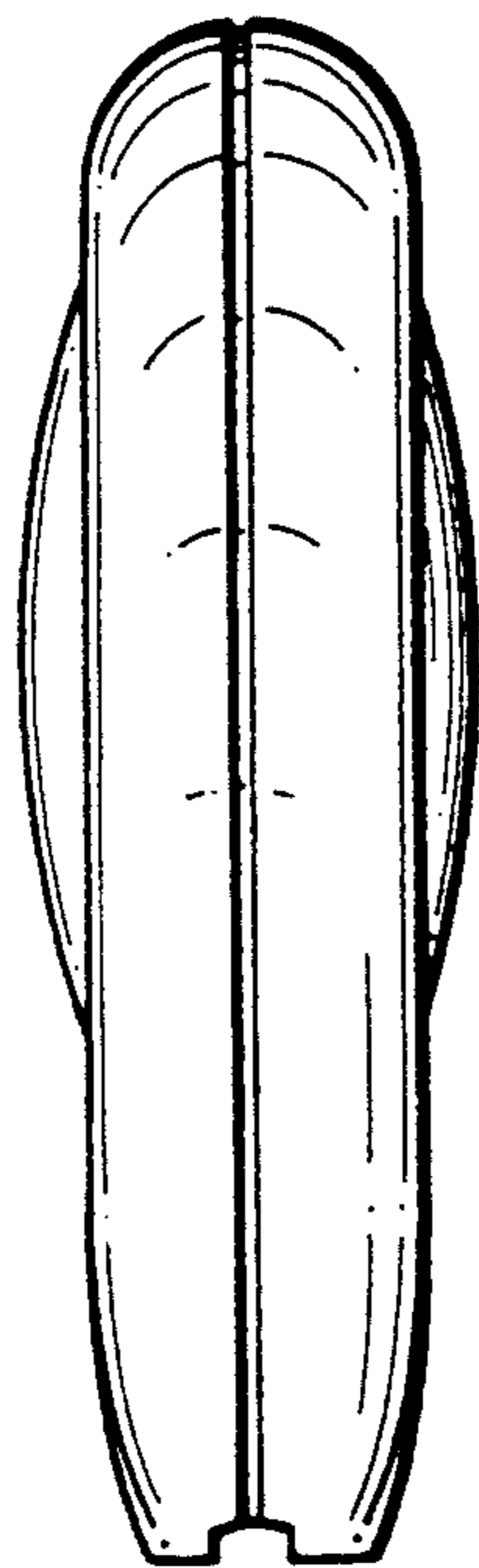


FIG-2

FIG-5

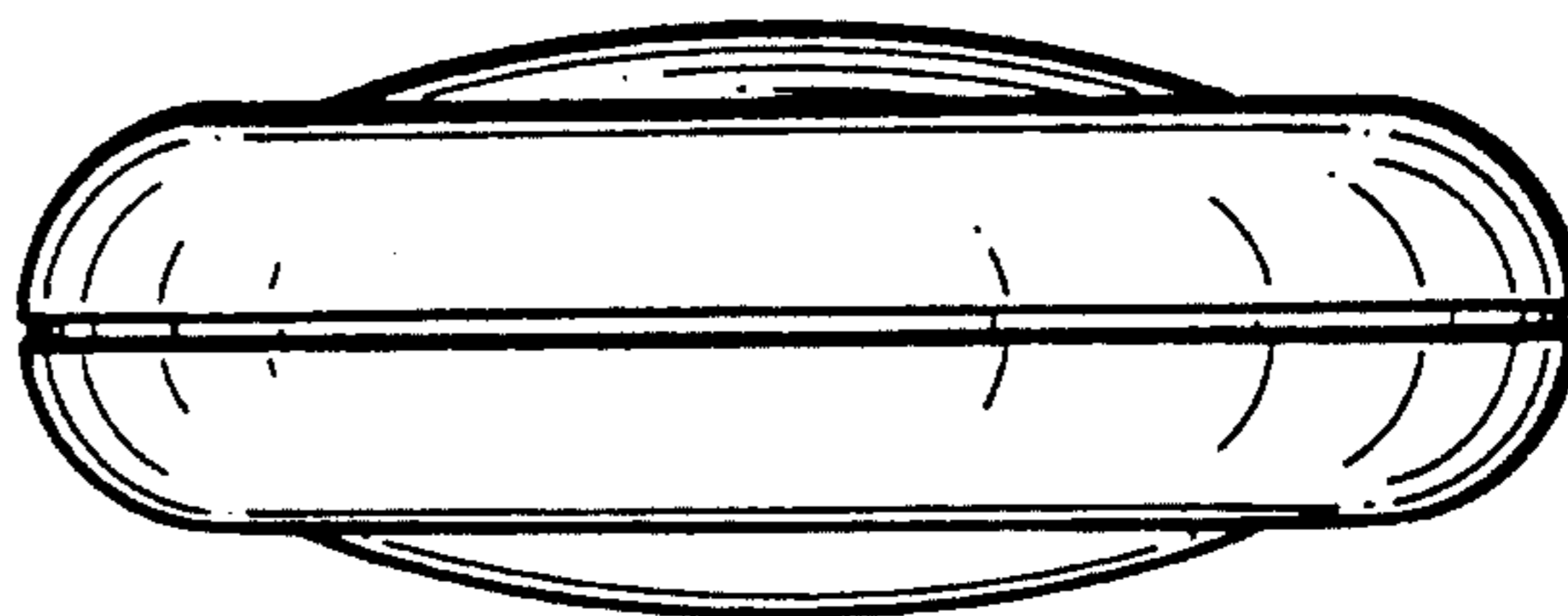


FIG-4

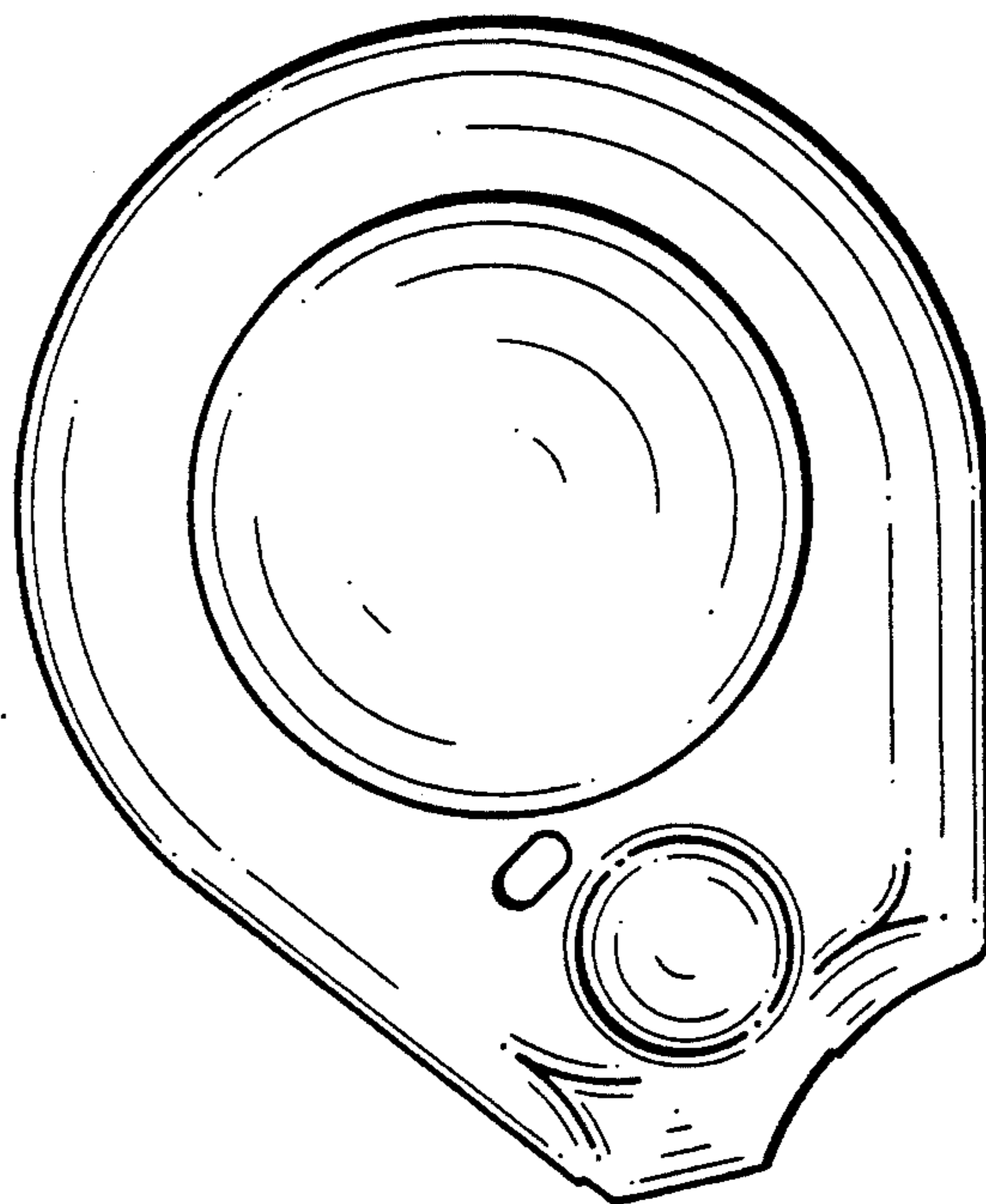


FIG-3

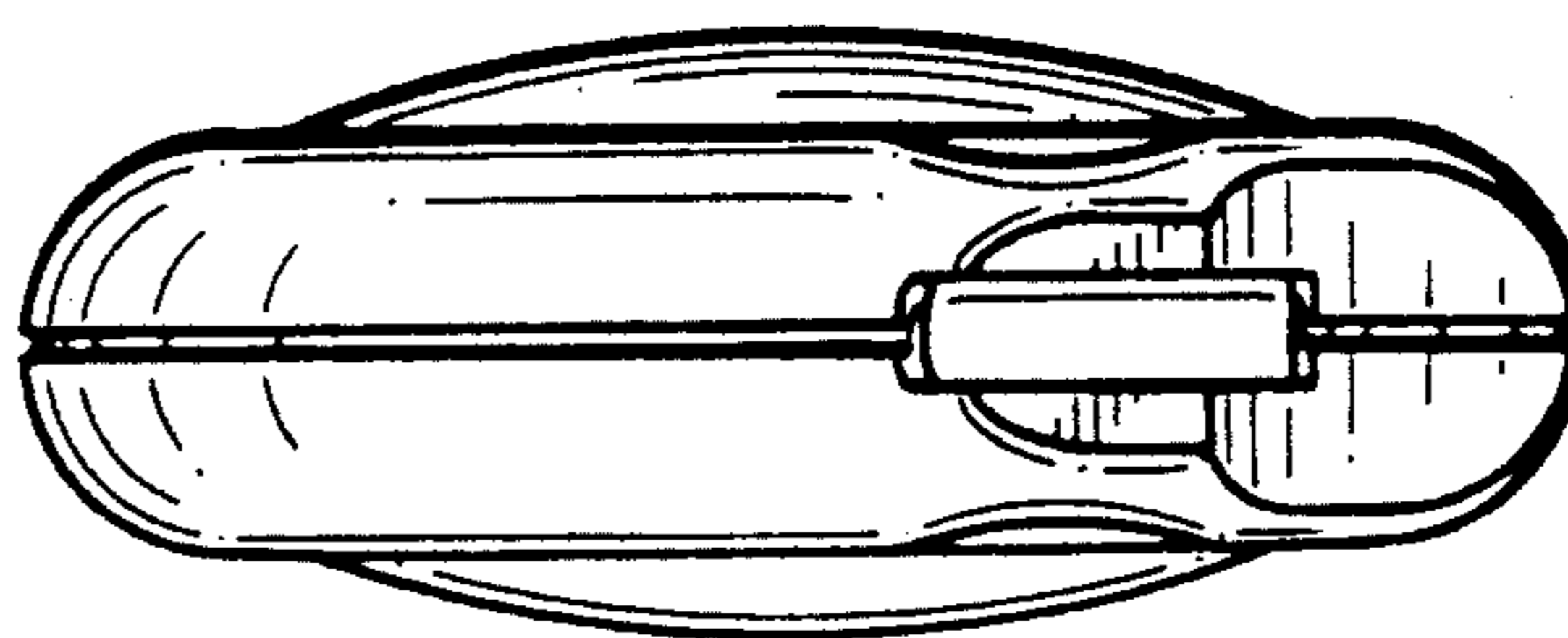


FIG-6

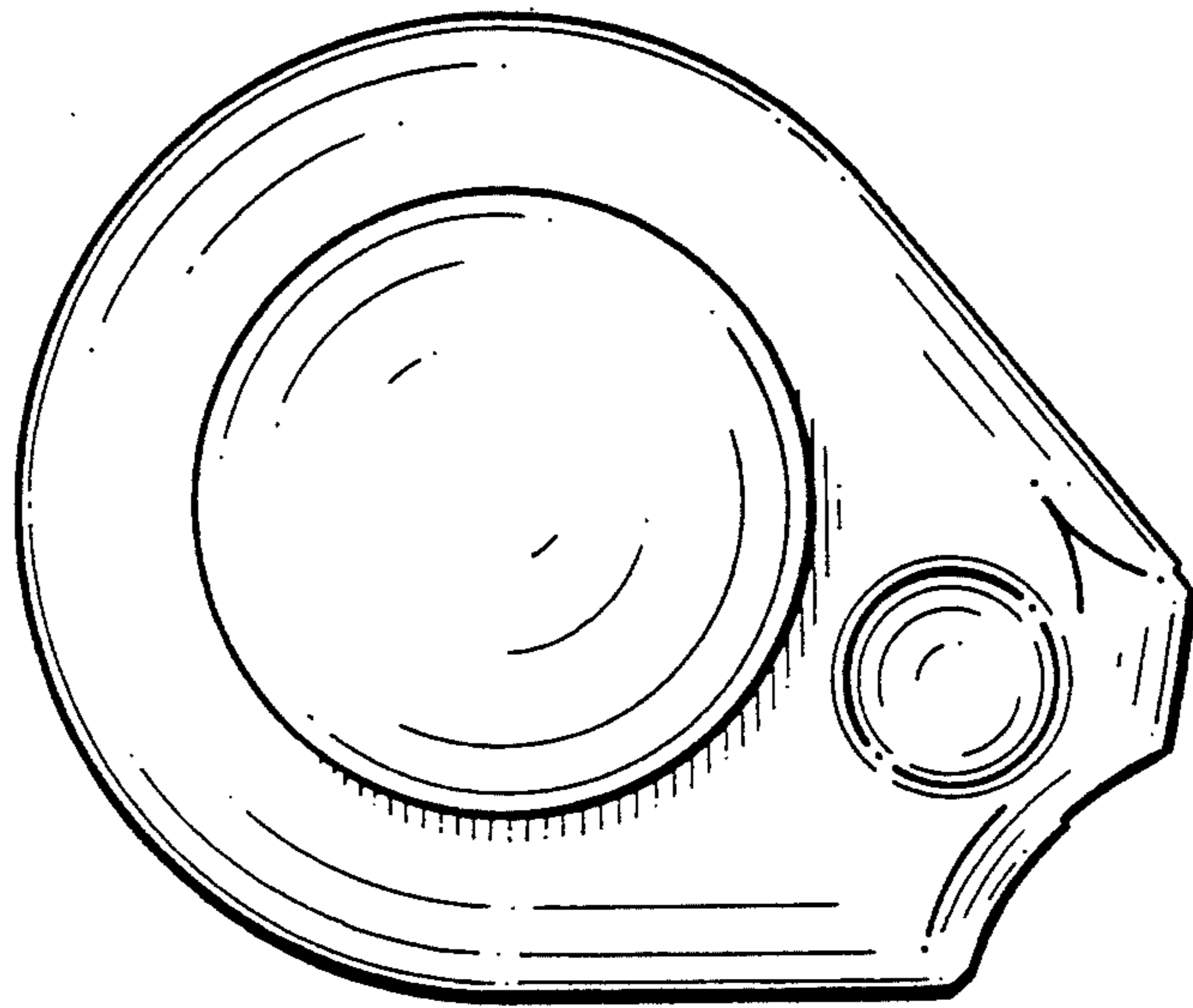


FIG-7

