



US00D348684S

# United States Patent [19]

[11] Patent Number: **Des. 348,684**

Shiiba

[45] Date of Patent: **\*\* Jul. 12, 1994**

[54] **INSTANT CAMERA**

*Attorney, Agent, or Firm—Young & Thompson*

[75] Inventor: **Minoru Shiiba, Tokyo, Japan**

[57] **CLAIM**

[73] Assignee: **Fuji Photo Film Co., Ltd., Kanagawa, Japan**

The ornamental design for an instant camera, as shown and described.

[\*\*] Term: **14 Years**

### DESCRIPTION

[21] Appl. No.: **858,780**

FIG. 1 is a front, top and side perspective view of an instant camera showing my new design, in an extended condition;

[22] Filed: **Mar. 27, 1992**

FIG. 2 is a rear, top and side perspective view thereof;

[30] **Foreign Application Priority Data**

Oct. 3, 1991 [JP] Japan ..... D. 3-29920

FIG. 3 is a front elevational view thereof;

[52] U.S. Cl. .... **D16/211**

FIG. 4 is a rear elevational view thereof;

[58] Field of Search ..... 354/126, 149.11, 187, 354/202, 288; D16/200-205, 208, 209, 211-213, 216-218

FIG. 5 is a top plan view thereof;

FIG. 6 is a bottom plan view thereof;

FIG. 7 is a side elevational view thereof from the left of FIG. 3;

[56] **References Cited**

#### U.S. PATENT DOCUMENTS

D. 244,686 6/1977 Hansen ..... D16/218

D. 250,958 1/1979 Hansen ..... D16/209

D. 254,136 2/1980 Stemme et al. .... D16/211

4,075,645 2/1978 Munakata et al. .... 354/187

4,601,561 7/1986 Yamashita ..... 354/149.11

FIG. 8 is a side elevational view thereof from the right of FIG. 3;

FIG. 9 is a front, top perspective view thereof, showing the camera in a folded condition;

FIG. 10 is a front elevational view thereof;

FIG. 11 is a rear elevational view thereof;

FIG. 12 is a top plan view thereof;

FIG. 13 is a bottom plan view thereof;

FIG. 14 is a left side view thereof; and,

FIG. 15 is a right side view thereof.

*Primary Examiner—Melvin B. Feifer*

*Assistant Examiner—Adir Aronovich*

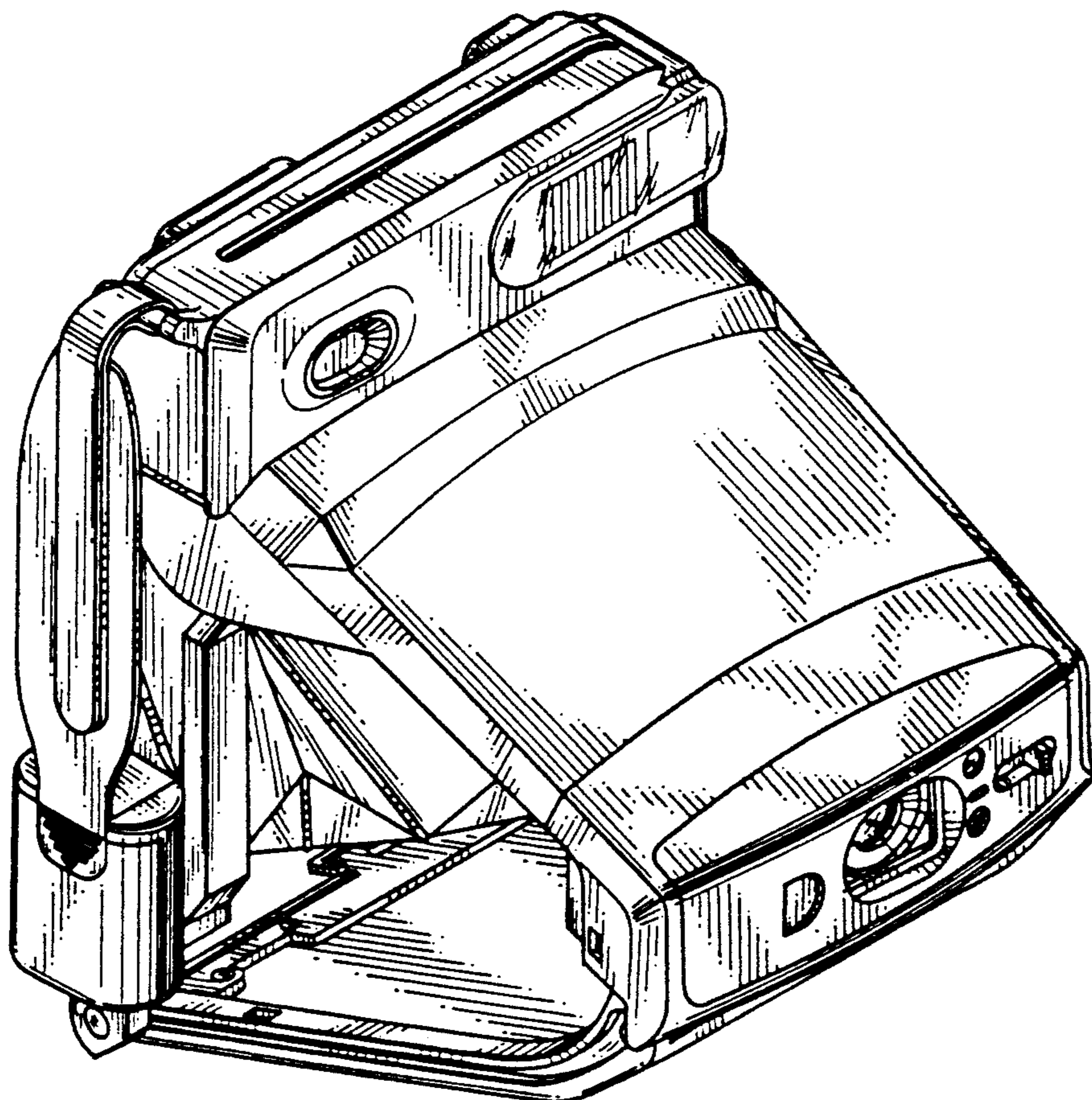


FIG. 1

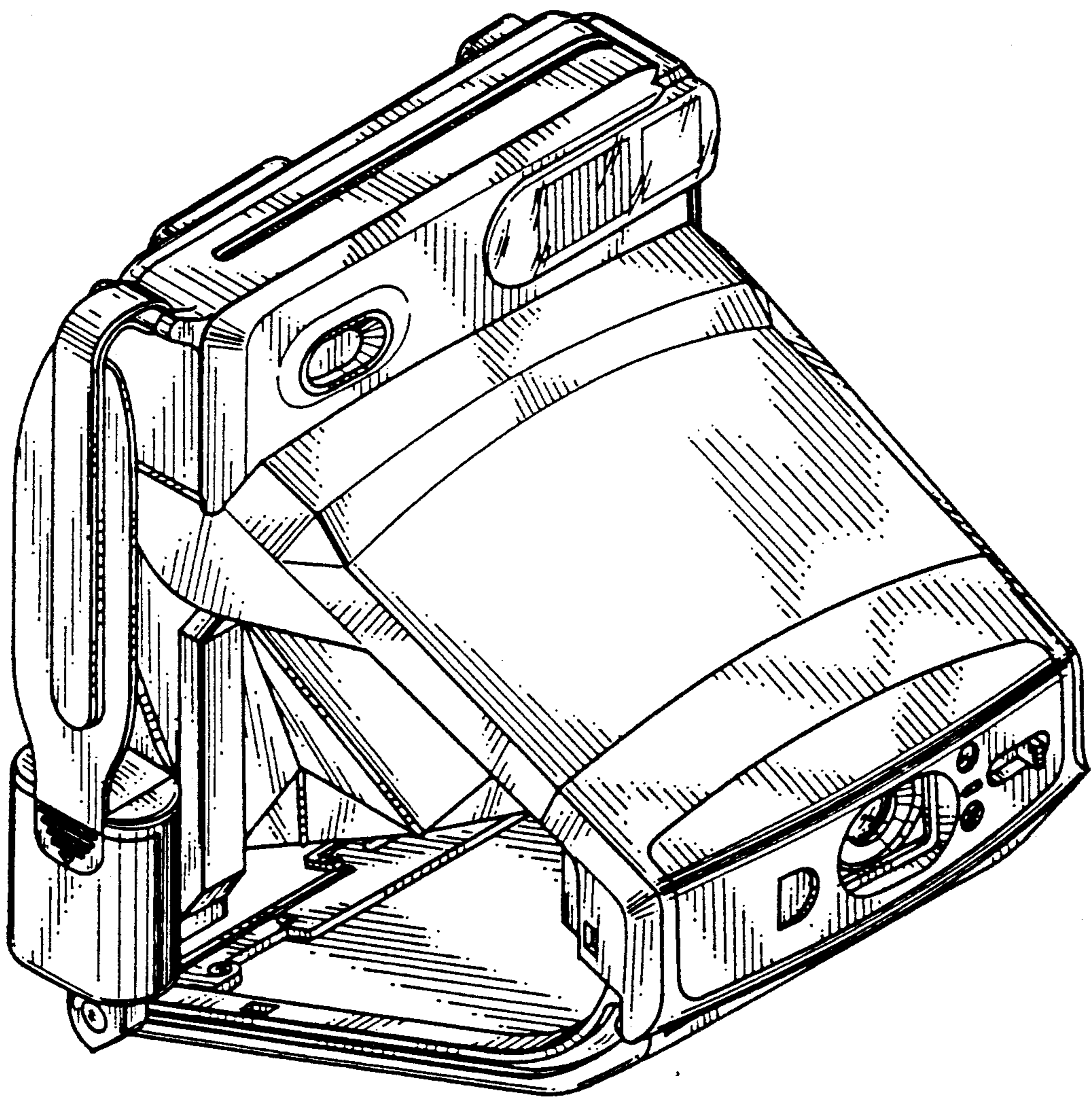


FIG. 2

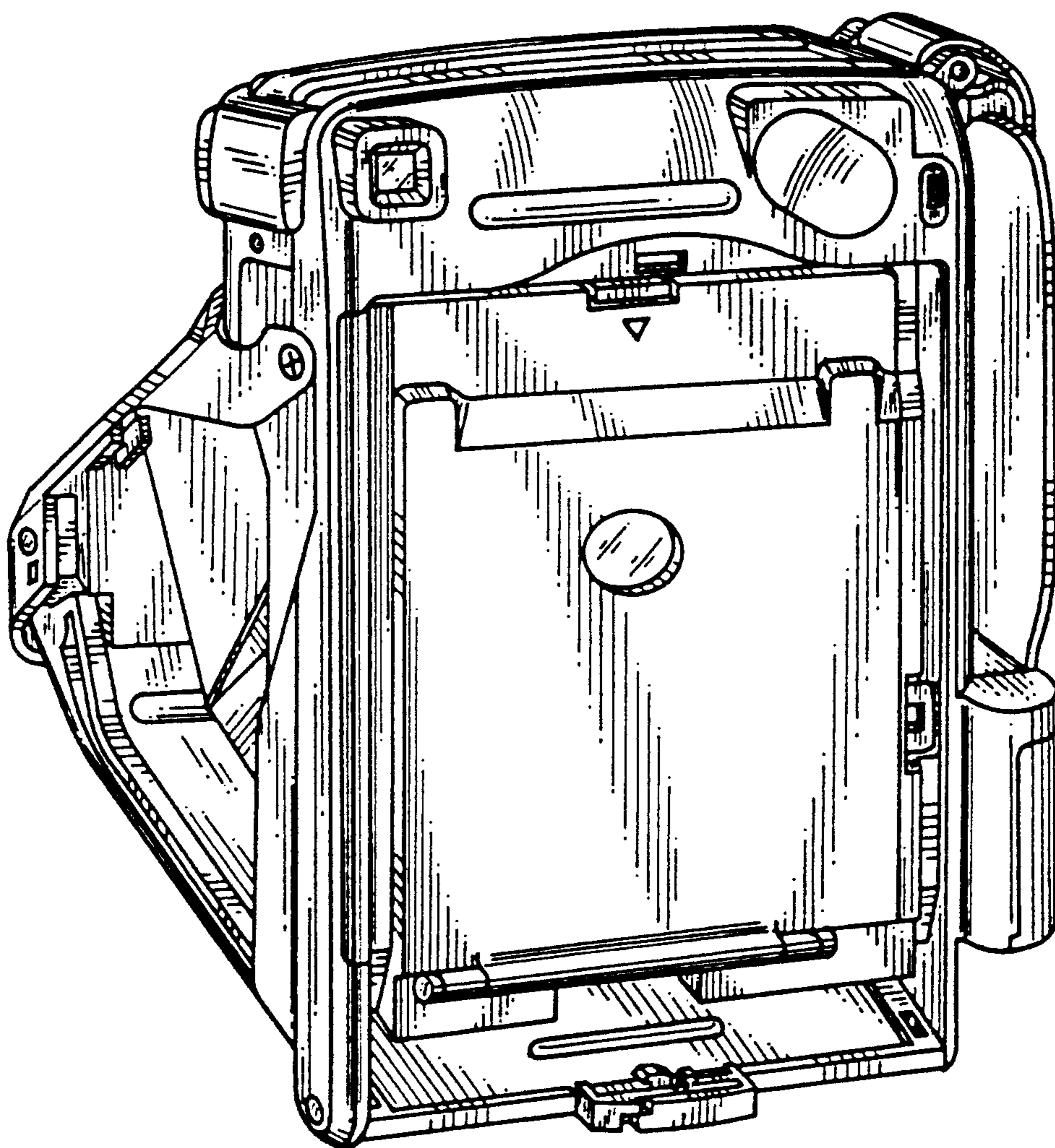


FIG. 4

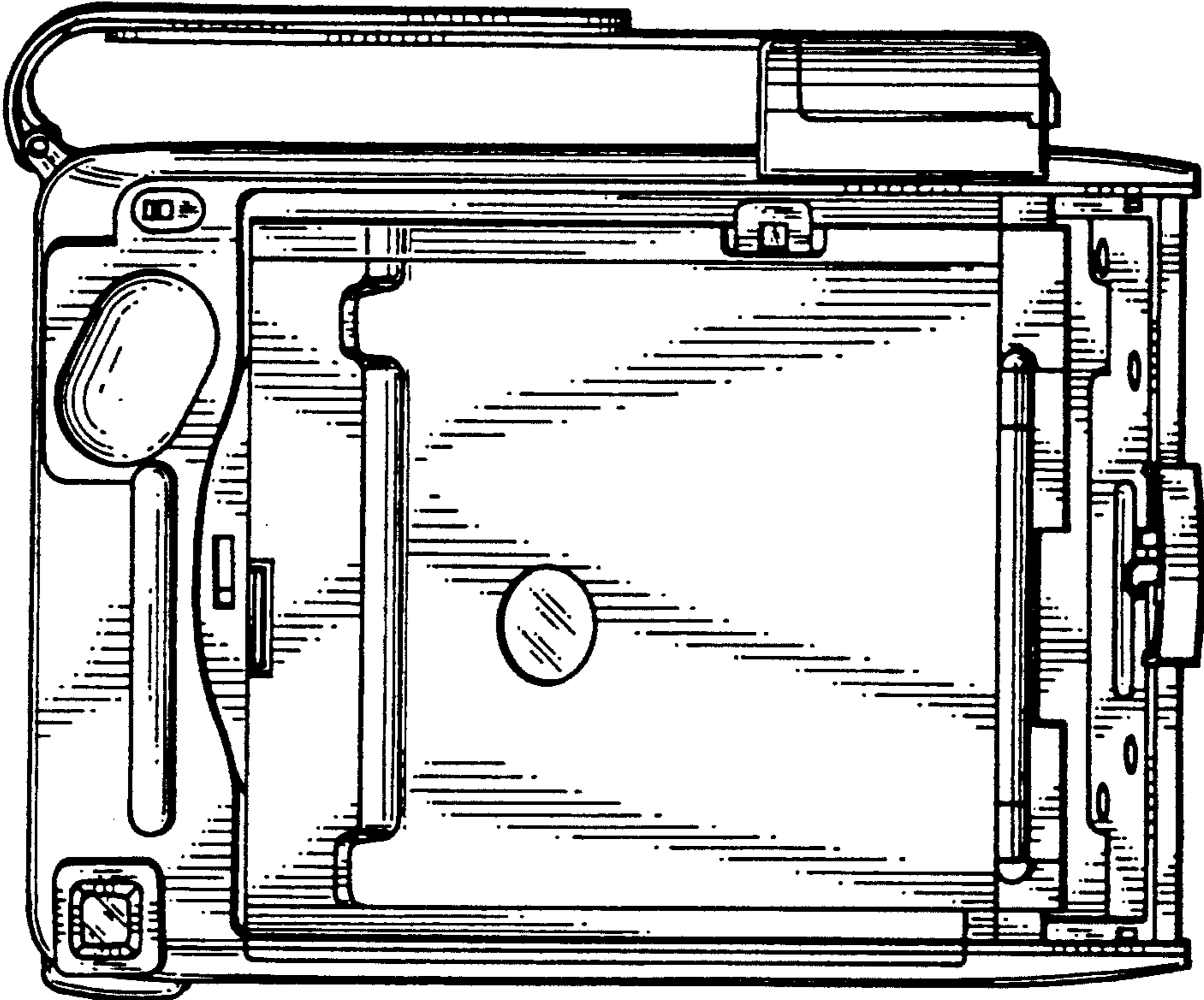


FIG. 3

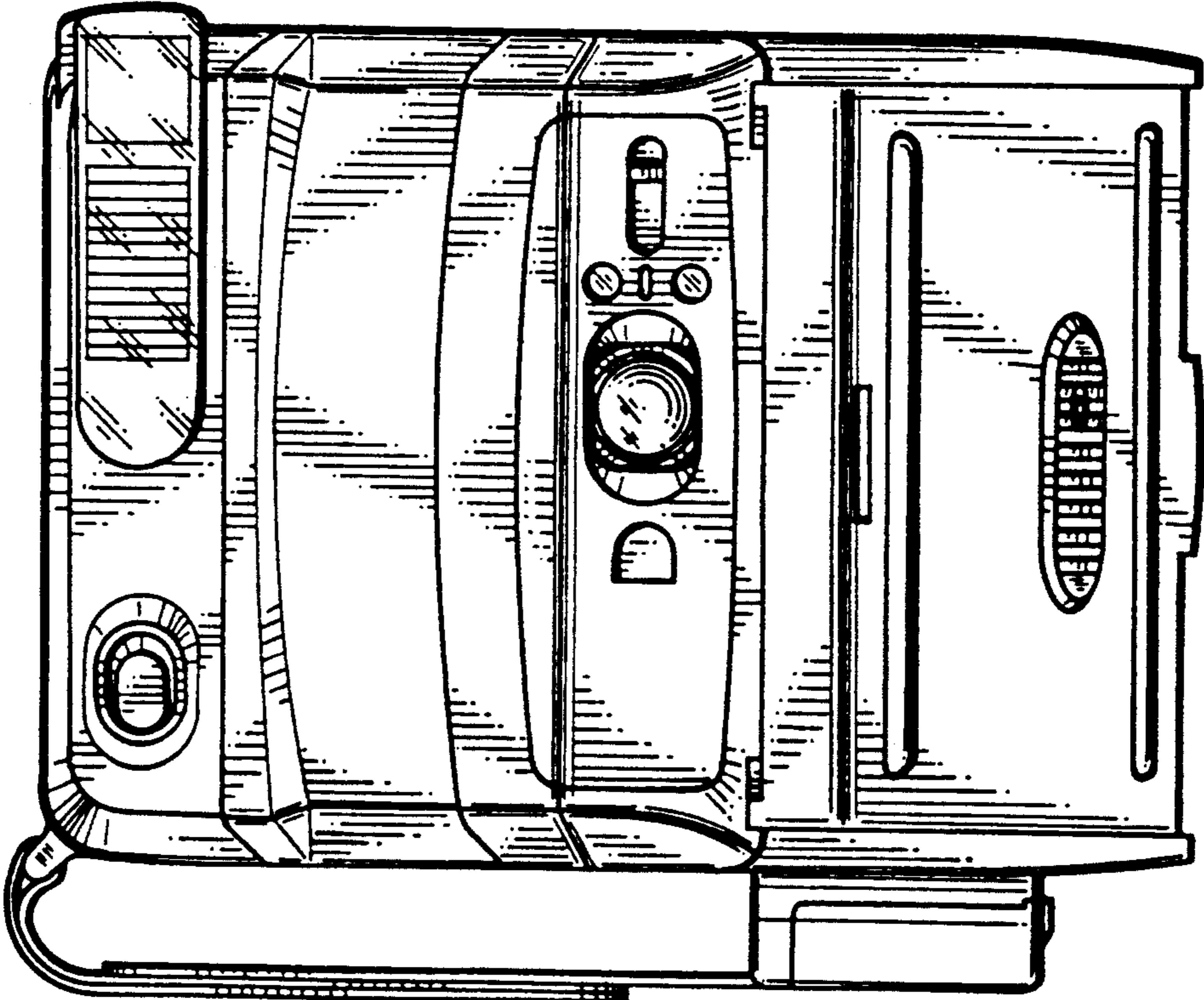


FIG. 6

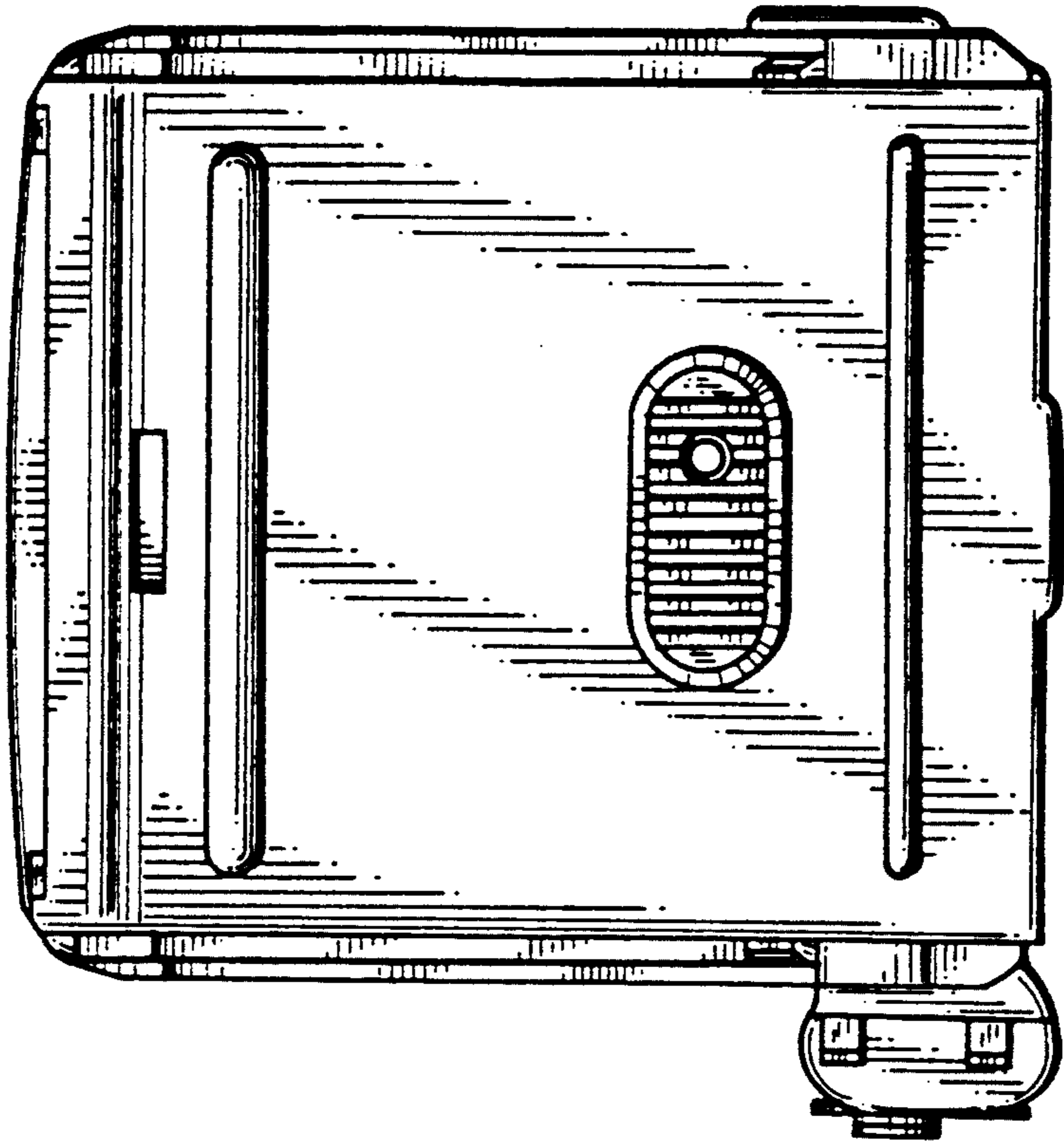


FIG. 5

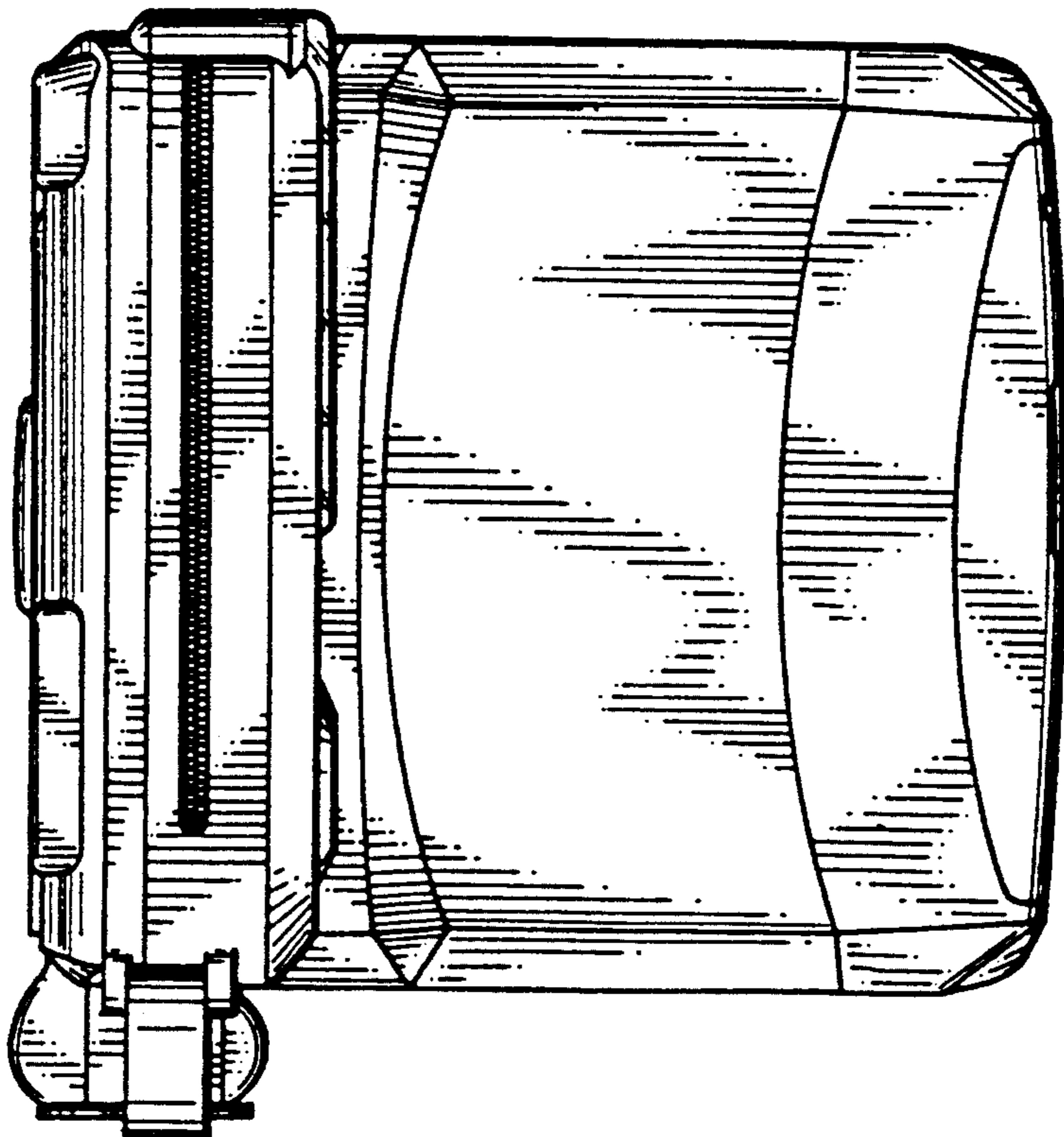


FIG. 8

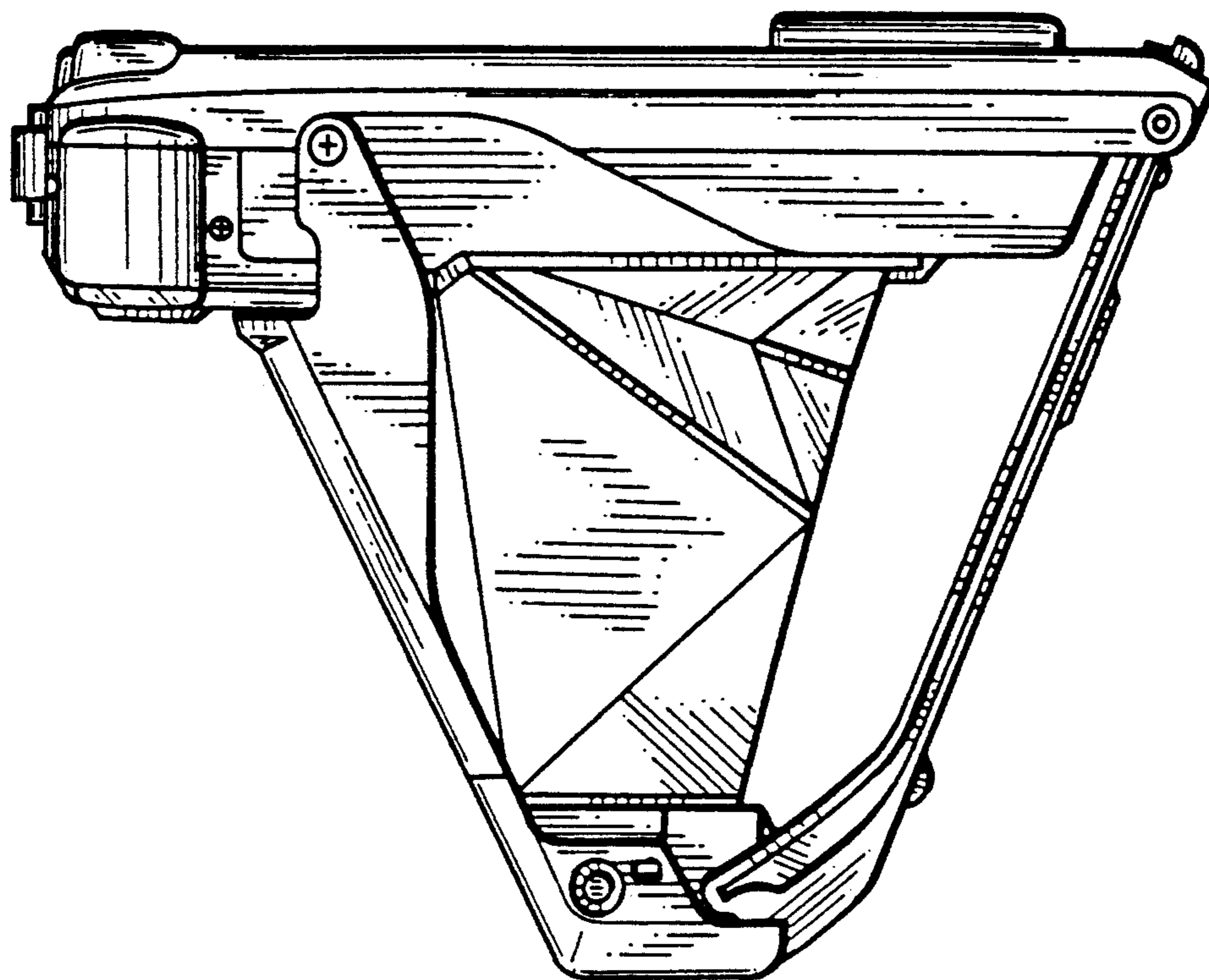


FIG. 7

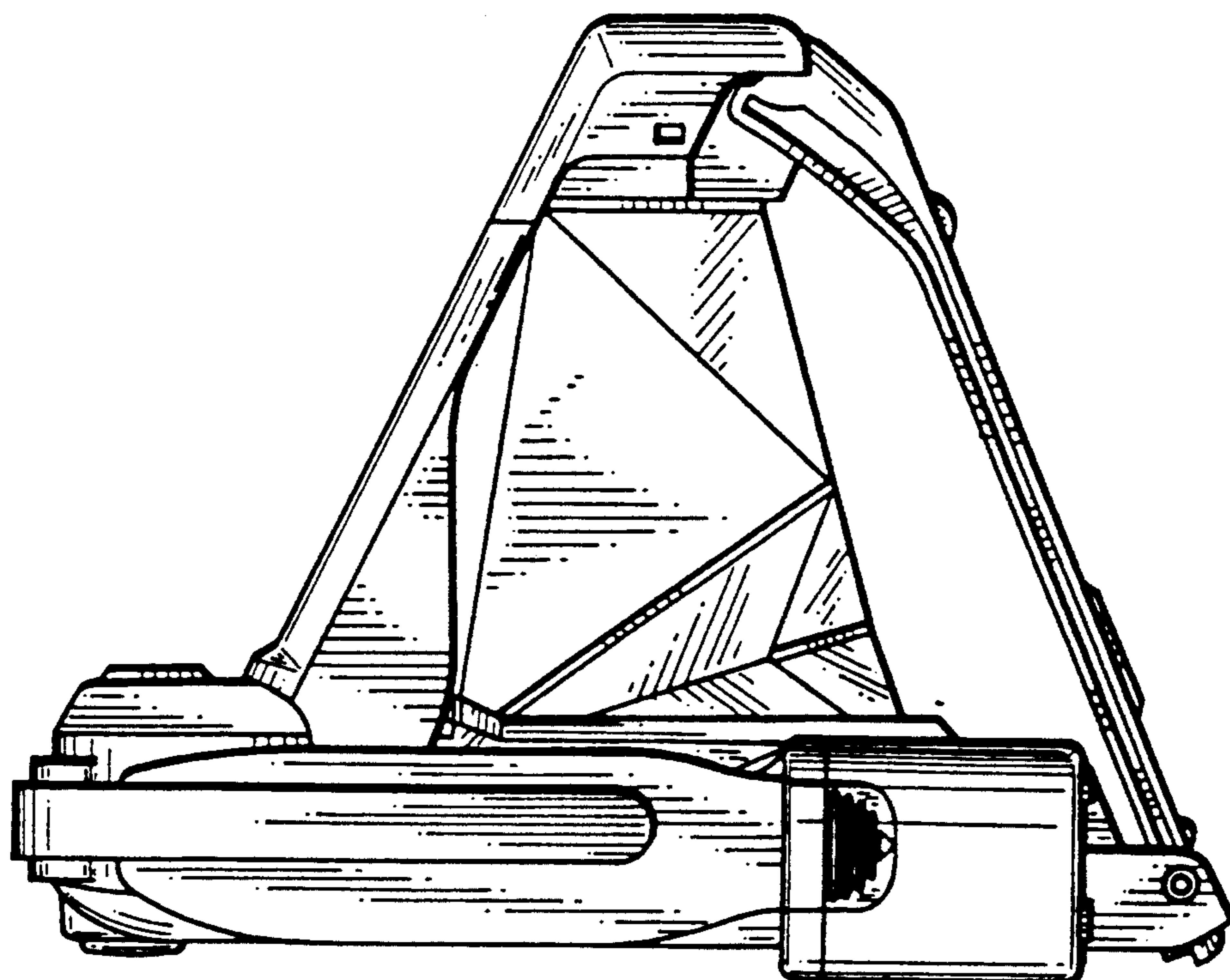


FIG. 9

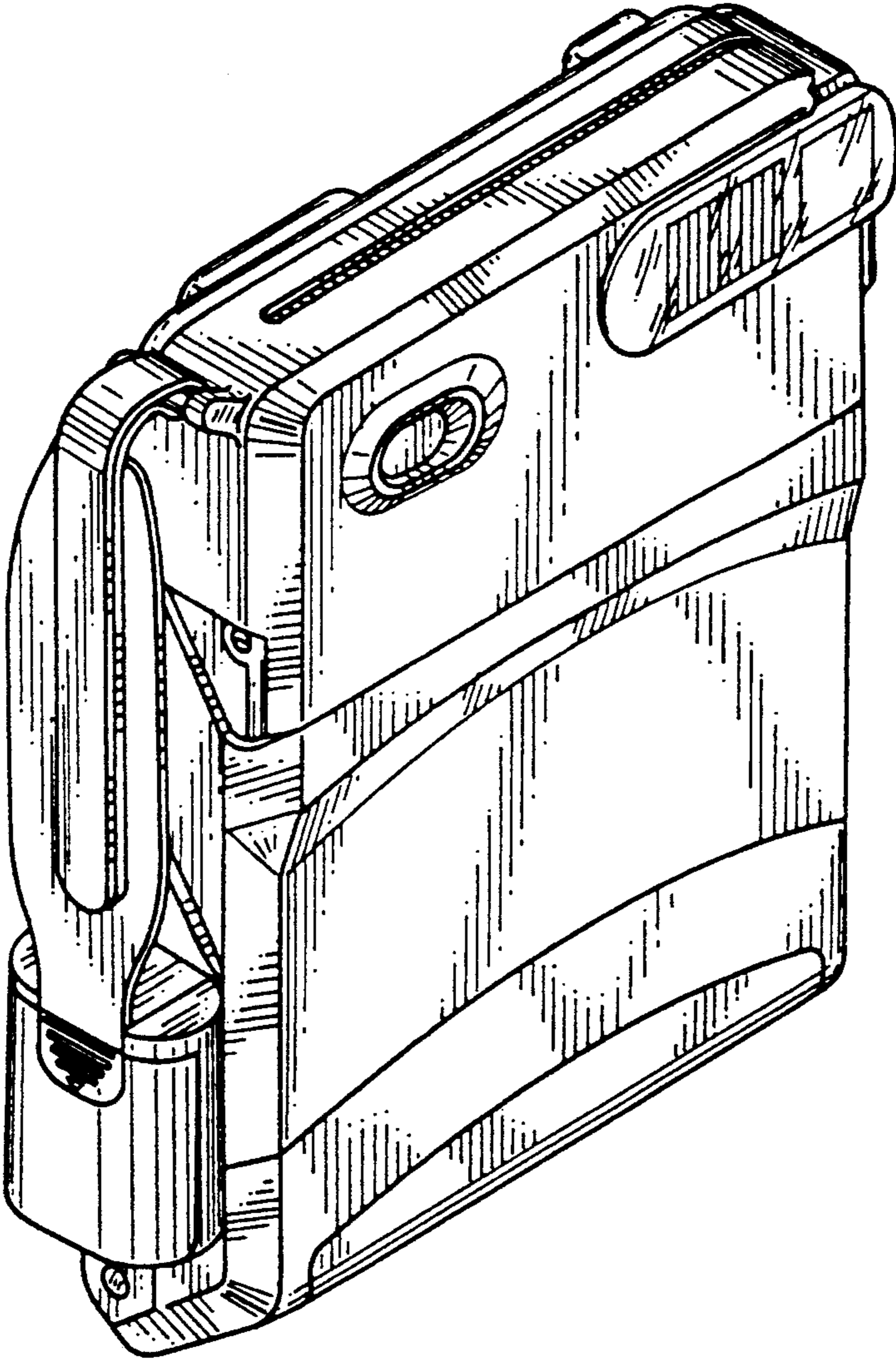


FIG. 11

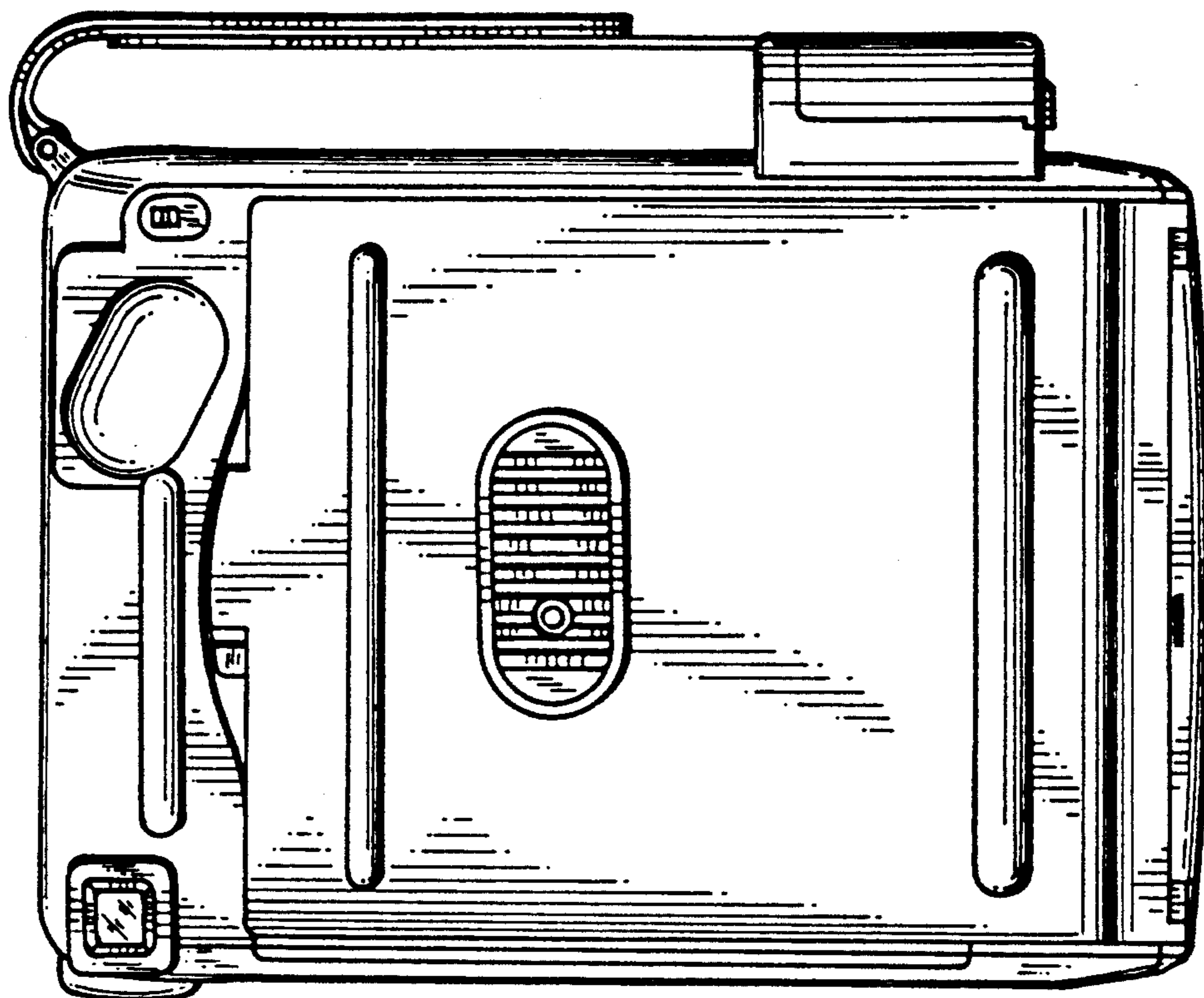


FIG. 10

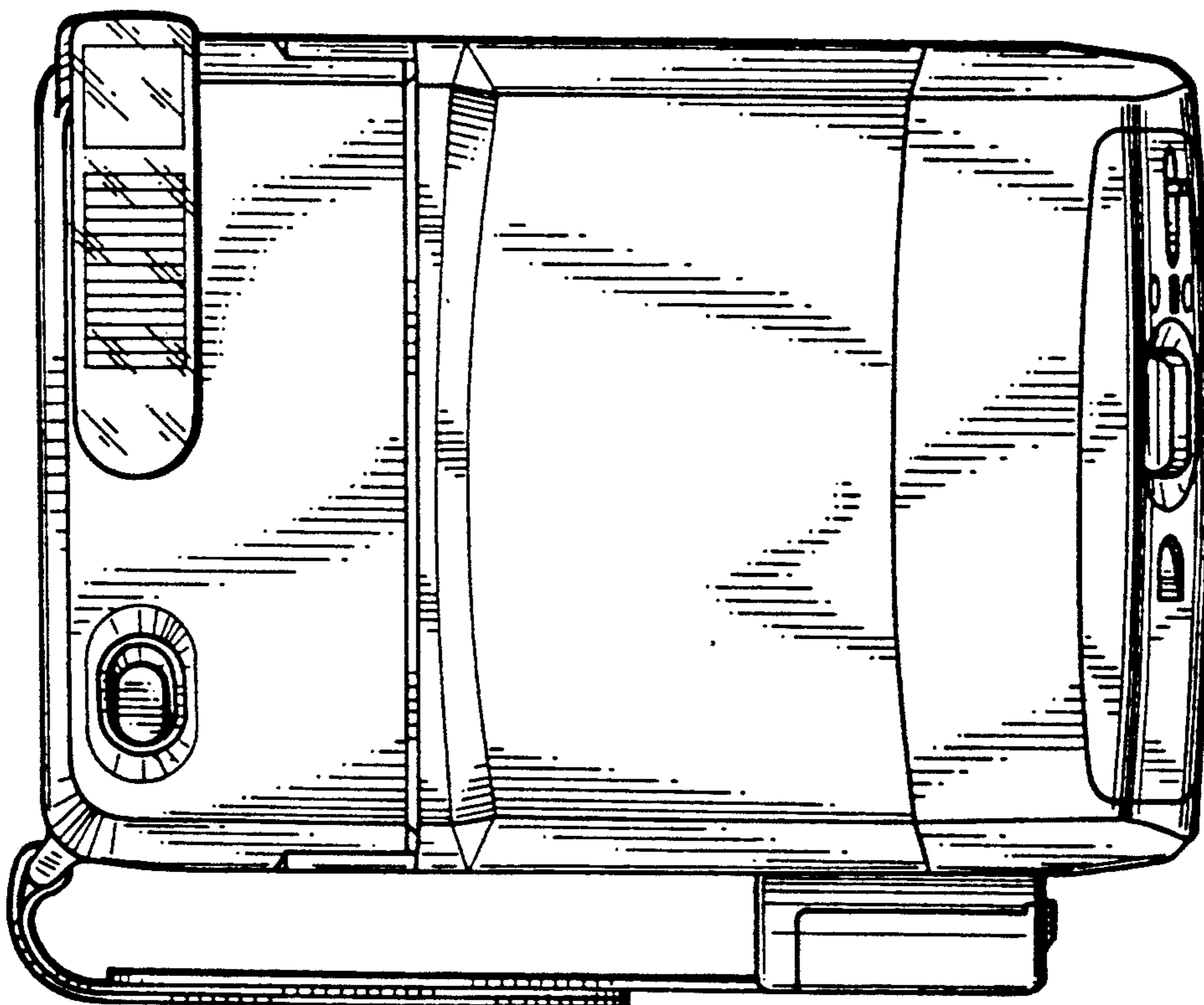




FIG. 12

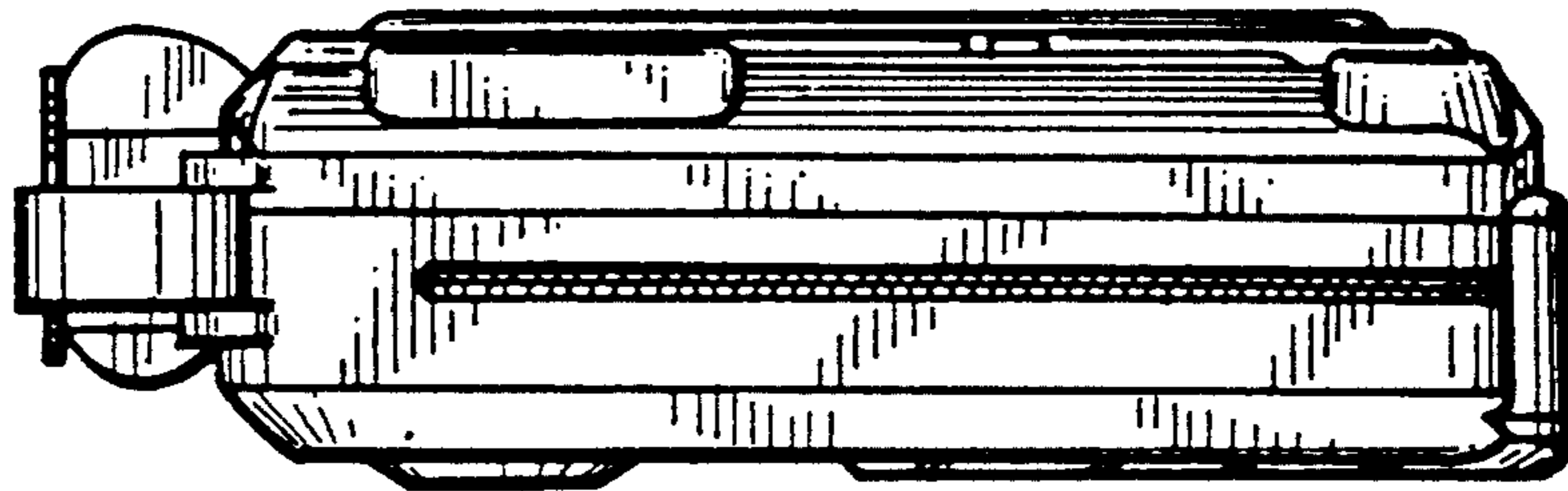


FIG. 13

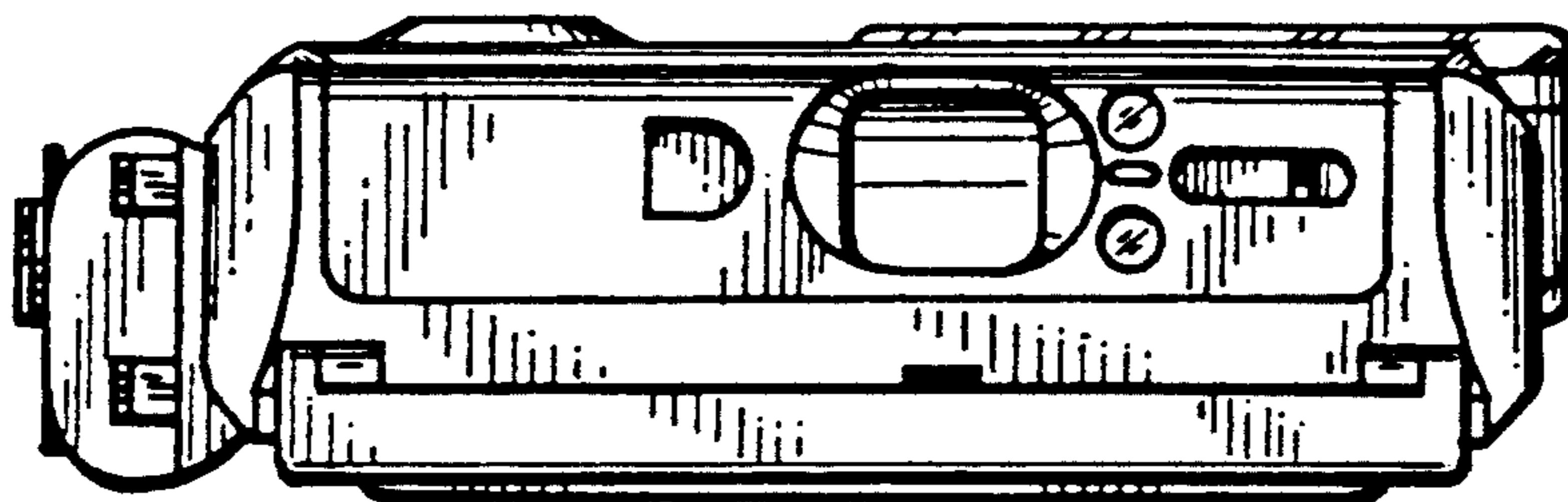


FIG. 14

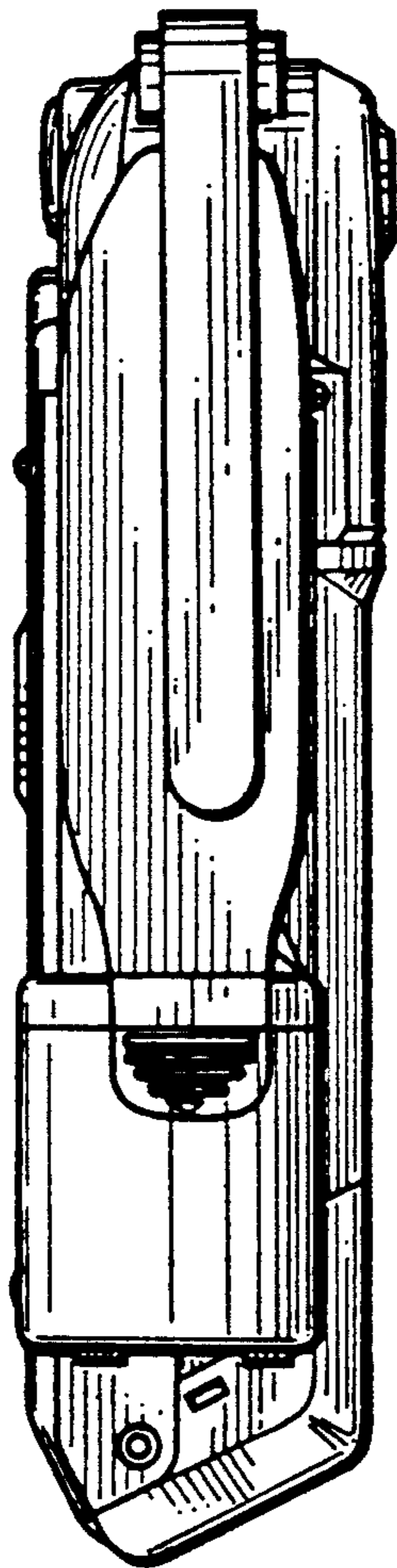


FIG. 15

