



US00D348682S

United States Patent [19]

[11] Patent Number: Des. 348,682

Losmandy

[45] Date of Patent: ** Jul. 12, 1994

[54] TELESCOPE MOUNT

[76] Inventor: **Scott R. Losmandy**, 11554 Landale St., Studio City, Calif. 92607

[**] Term: **14 Years**

[21] Appl. No.: **2,621**

[22] Filed: **Dec. 14, 1992**

[52] U.S. Cl. **D16/136**

[58] Field of Search 359/417, 429, 430; 248/278, 126, 187, 176, 188.5, 188.7, 188.6, 170, 291, 178; 74/89.15; D16/132, 136

[56] References Cited

U.S. PATENT DOCUMENTS

617,108	1/1899	Lundin	359/430
836,771	11/1906	Lohmann	359/430
3,885,858	5/1975	Hildemann	359/430
3,942,865	3/1976	Rand	359/430
4,050,318	9/1977	Wolf	74/89.15

OTHER PUBLICATIONS

The Sharper Image, Fall 1982, p. 21. Tasco Telescope.

Primary Examiner—A. Hugo Word
Assistant Examiner—Doris V. Coles
Attorney, Agent, or Firm—Donald Diamond

[57] CLAIM

The ornamental design for a telescope mount, as shown and described.

DESCRIPTION

FIG. 1 is a perspective view taken from the top, rear and left side of a telescope mount, showing my new design;

FIG. 2 is a front elevational view thereof;

FIG. 3 is a left side elevational view thereof;

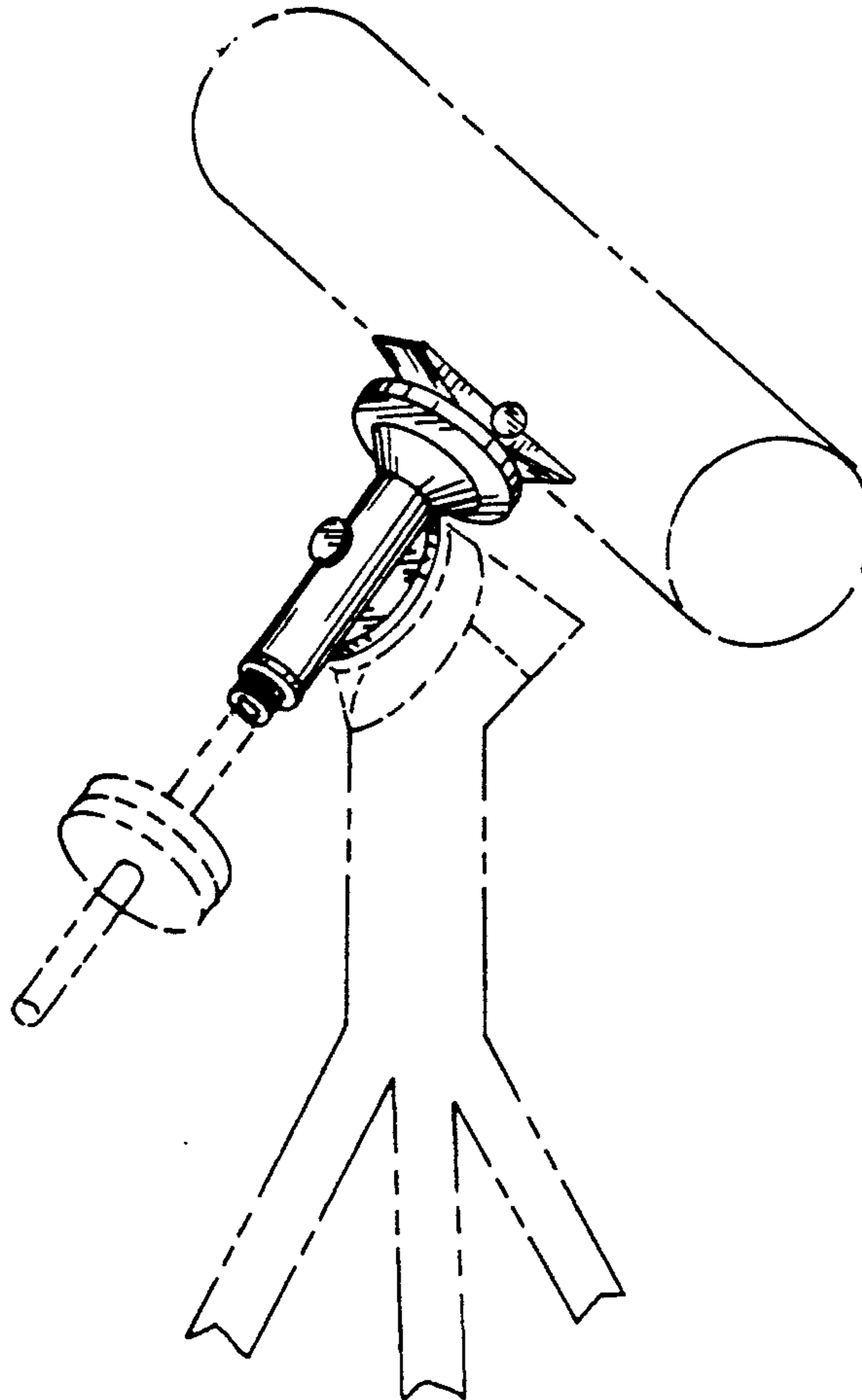
FIG. 4 is a top plan view thereof;

FIG. 5 is a bottom plan view thereof;

FIG. 6 is a rear elevational view thereof; and,

FIG. 7 is a right side elevational view thereof.

The broken line showing of environment in FIG. 1 is for illustrative purposes only and forms no part of the claimed design.



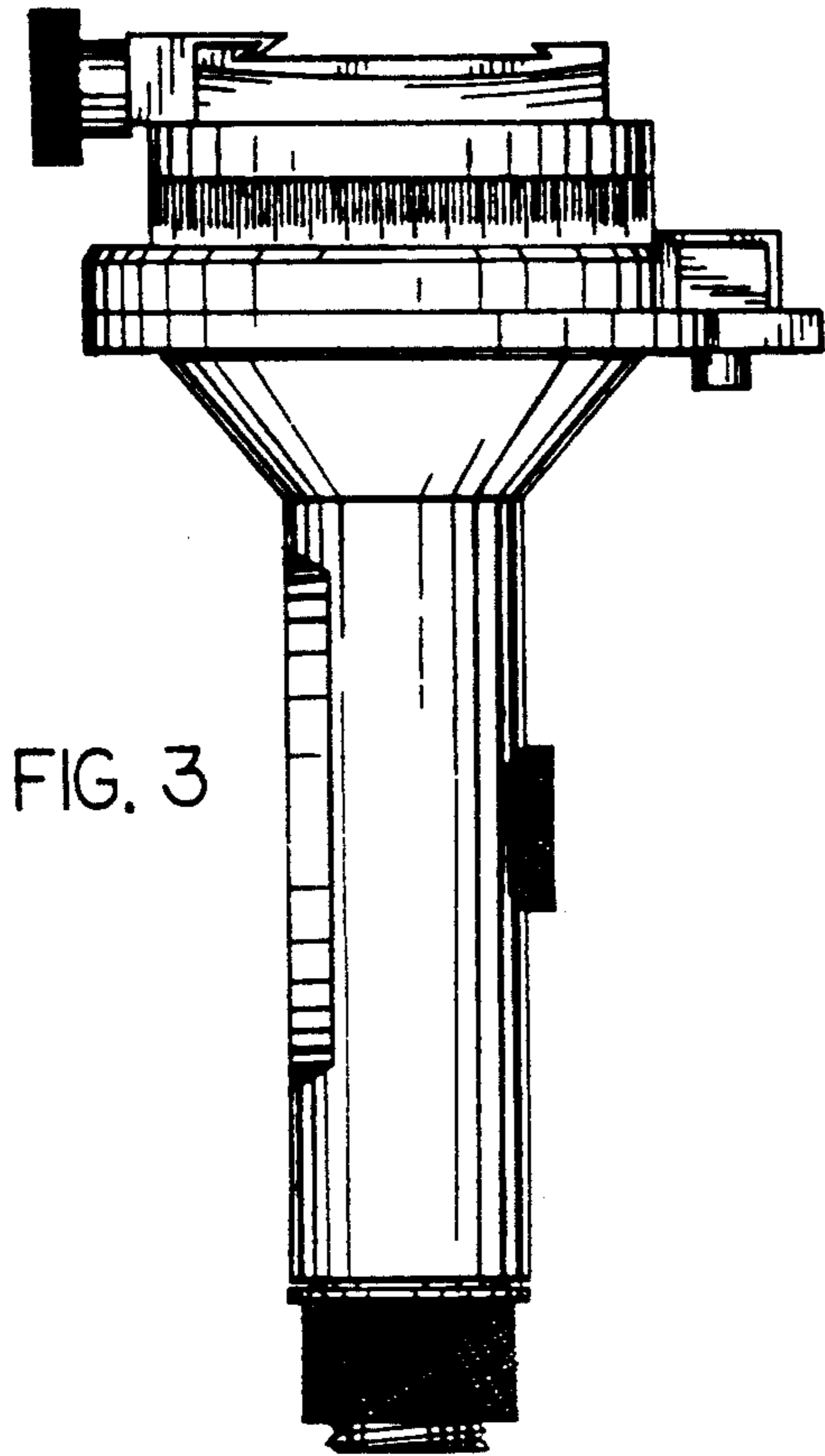


FIG. 3

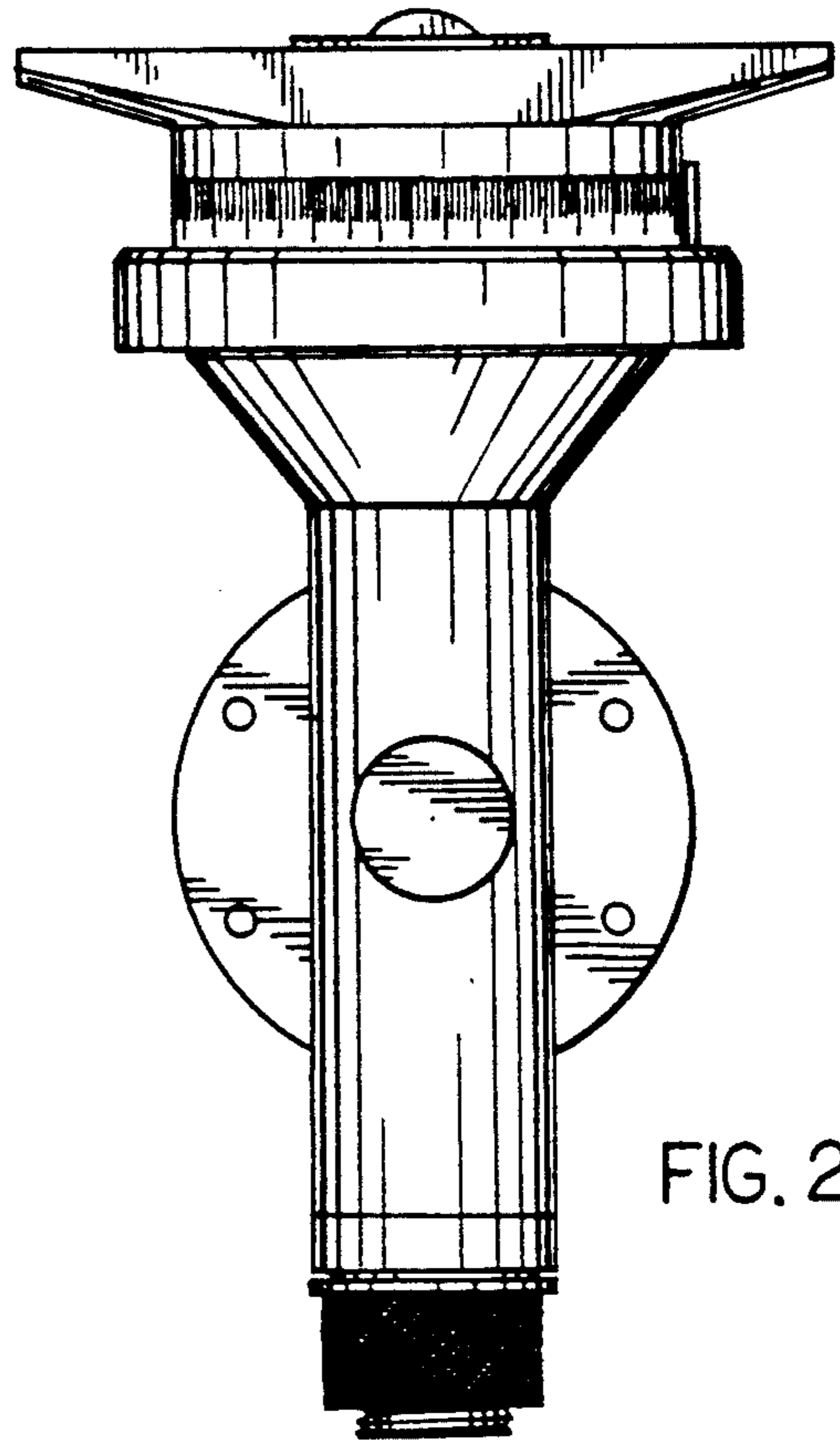


FIG. 2

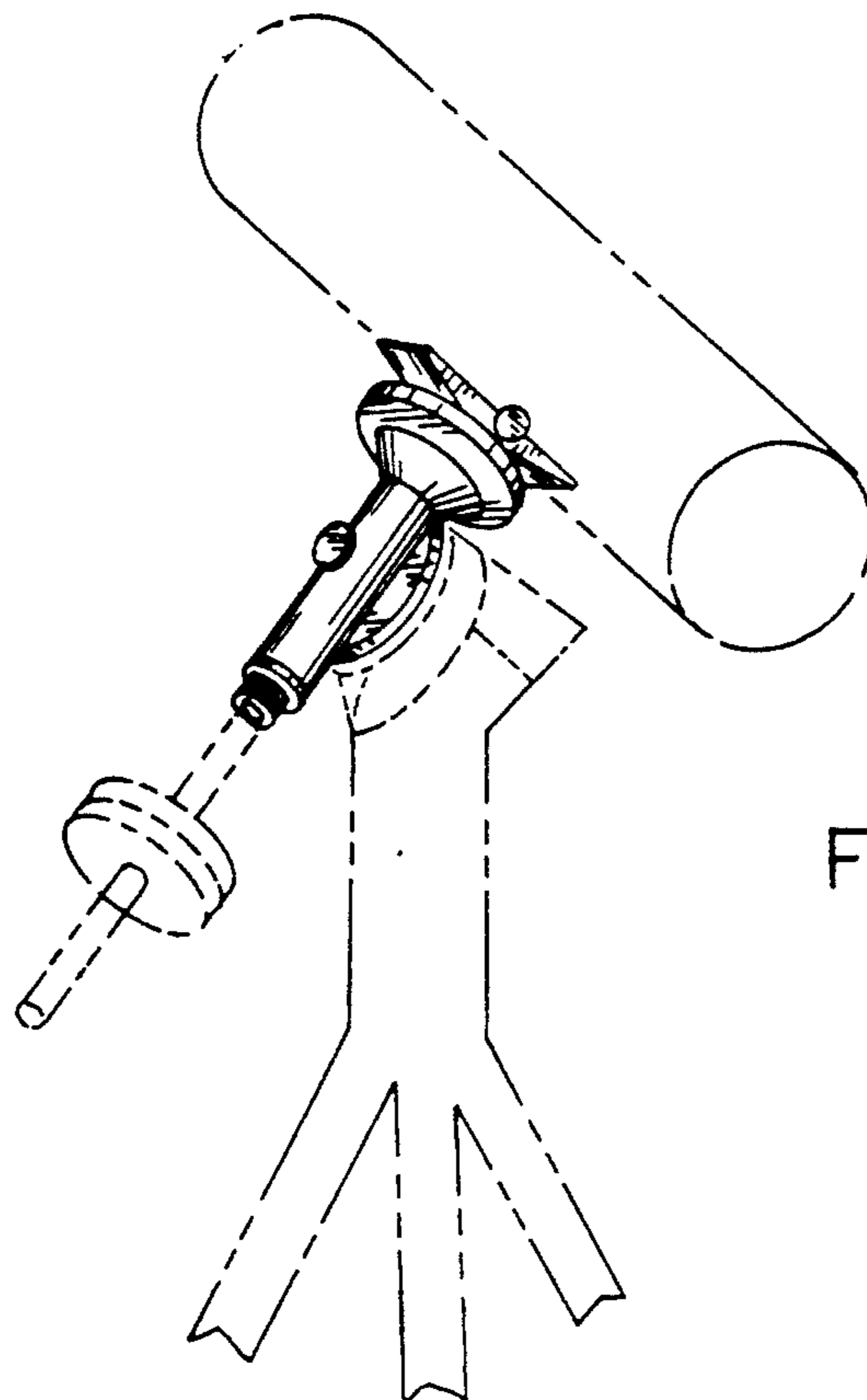


FIG. 1

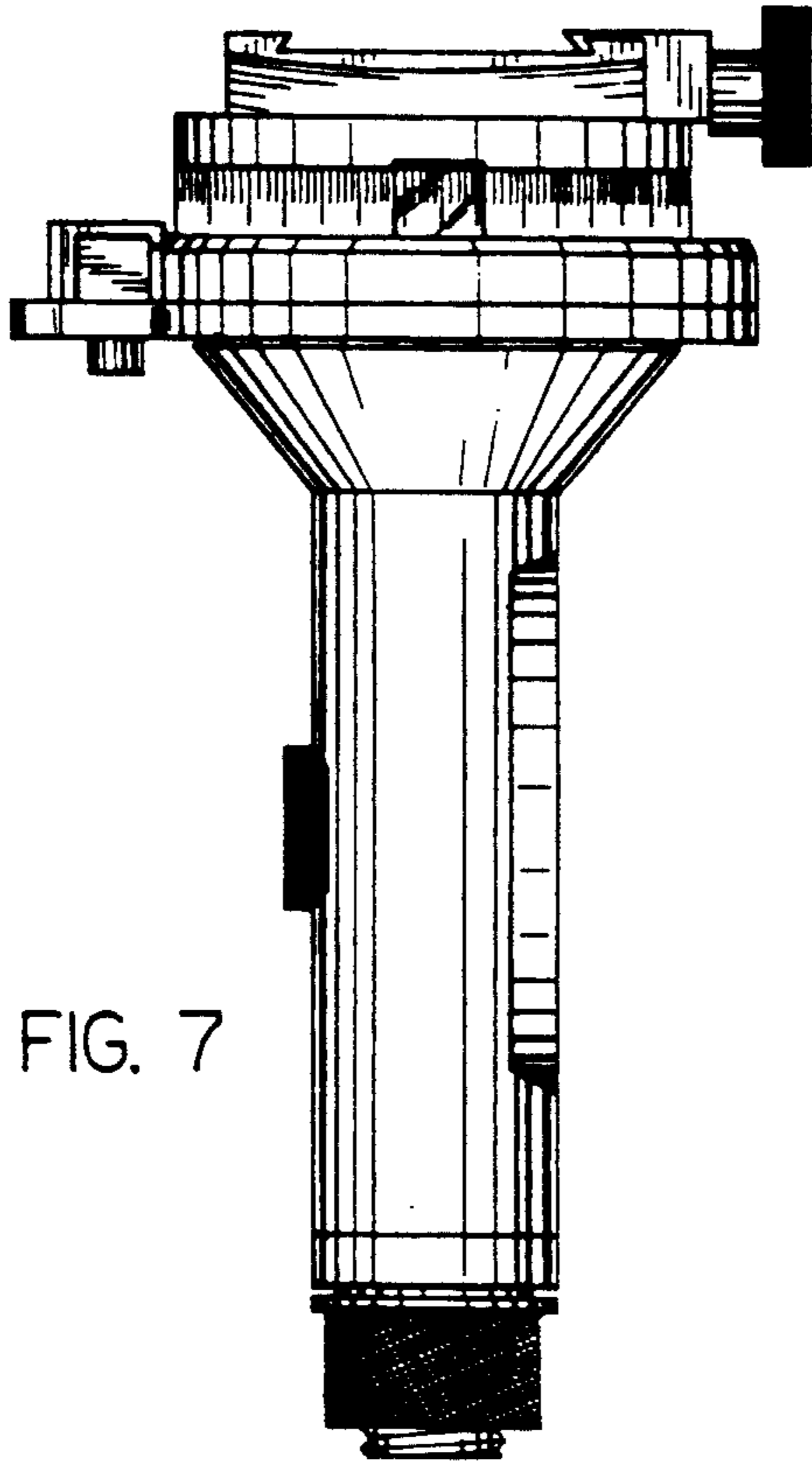


FIG. 7

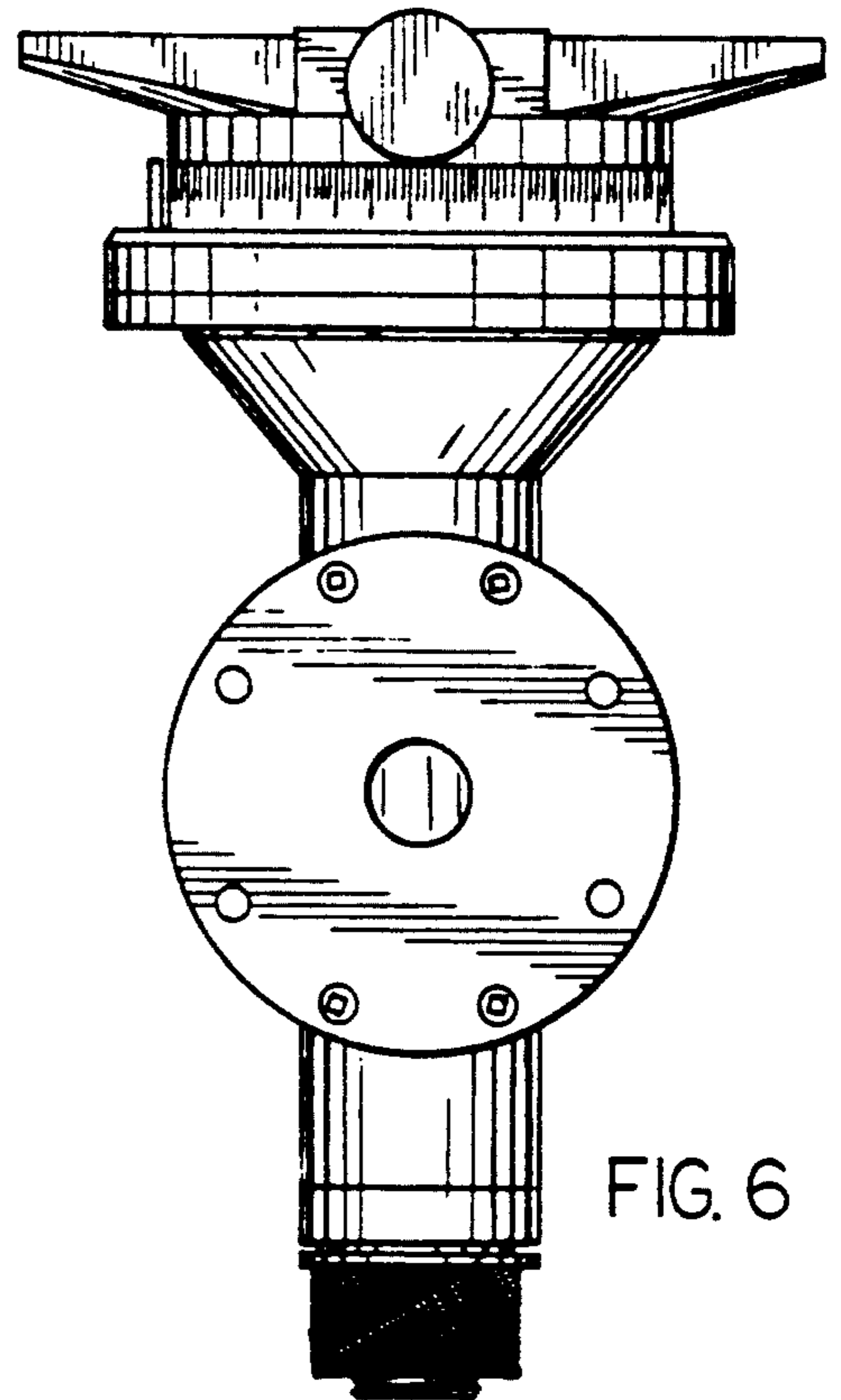


FIG. 6

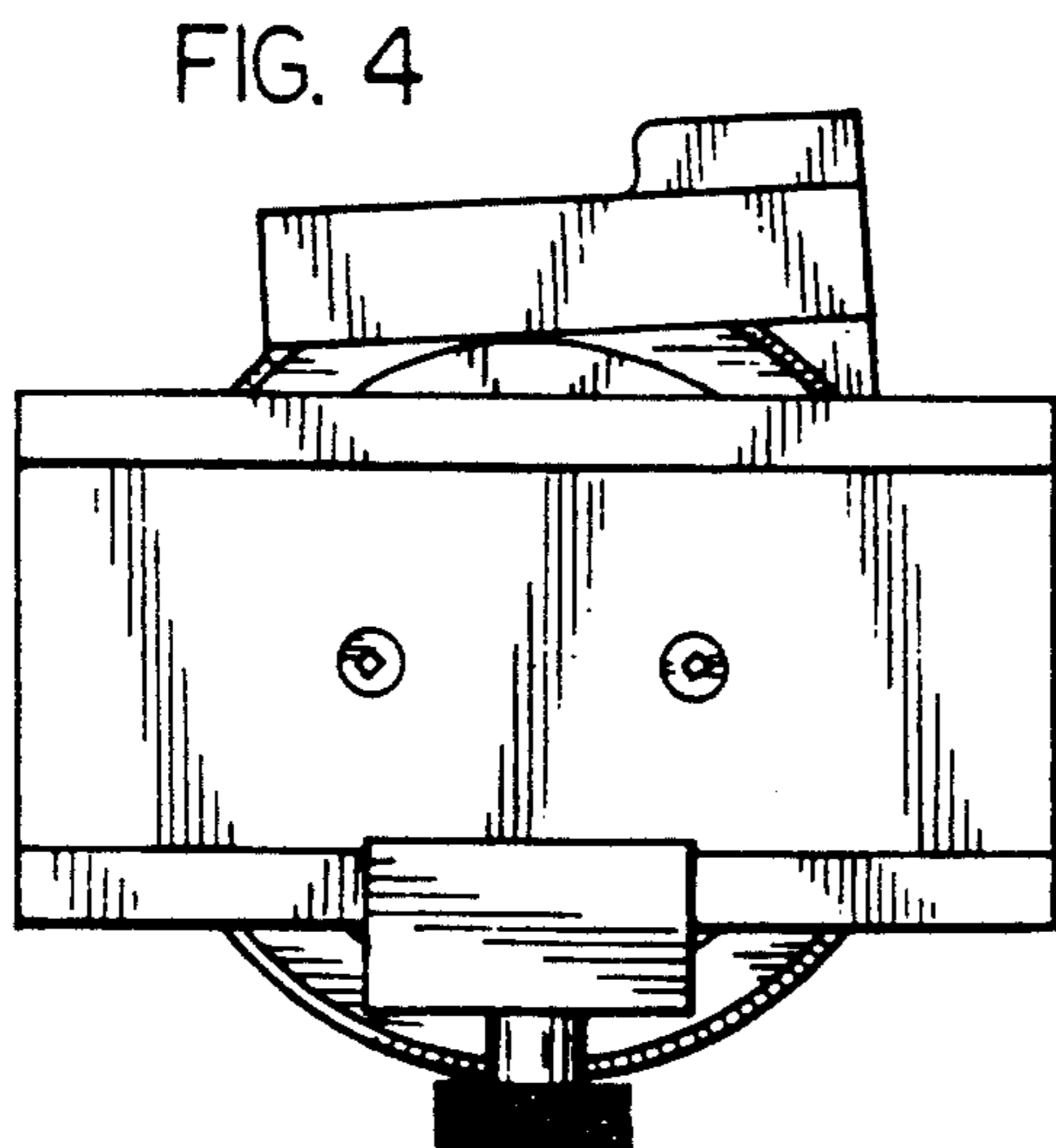


FIG. 4

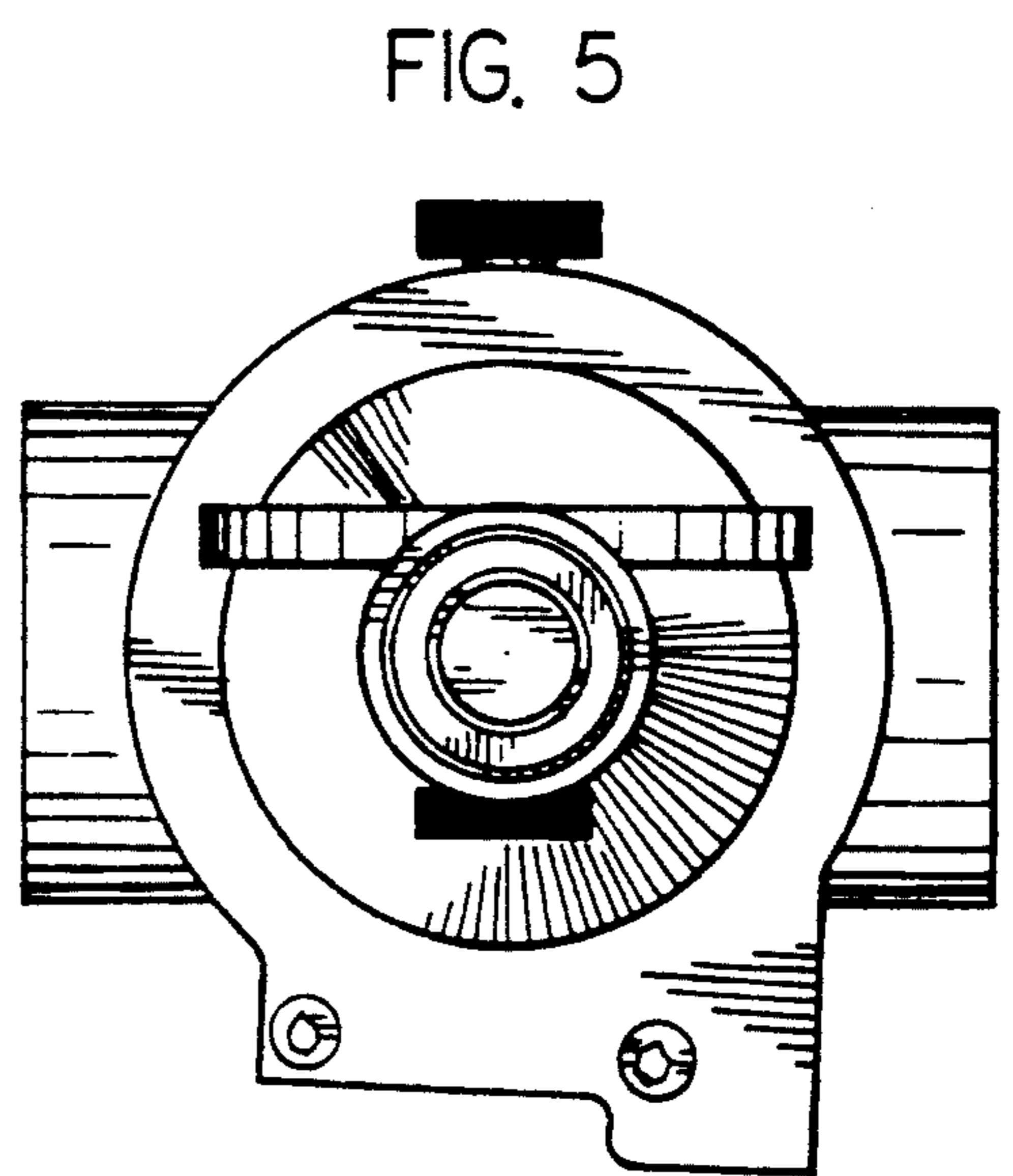


FIG. 5