



US00D348677S

# United States Patent [19]

[11] Patent Number: **Des. 348,677**

Phillips et al.

[45] Date of Patent: **\*\* Jul. 12, 1994**

[54] **PRESSURIZED GAS INFLATION DEVICE**

[75] Inventors: **Matthew L. Phillips**, North Easton;  
**David J. Lacorazza**, Quincy, both of  
Mass.

[73] Assignee: **Reebok International Ltd.**,  
Stoughton, Mass.

[\*] Notice: The portion of the term of this patent  
subsequent to Jun. 1, 2007 has been  
disclaimed.

[\*\*] Term: **14 Years**

[21] Appl. No.: **8,706**

[22] Filed: **Apr. 28, 1993**

D. 324,868	3/1992	Jacobs	.....	D15/7
2,205,938	6/1940	Ward	.	
2,347,010	4/1944	Ward	.	
2,498,596	2/1950	Wallach	.	
2,533,685	12/1950	Nurkiewicz	.	
2,573,375	10/1951	Winstead	.	
2,574,028	11/1951	Fields et al.	.	
2,575,908	11/1951	Clifford	.	
2,784,791	3/1957	Austin	.	
2,876,846	3/1959	Howard	.	
2,878,683	3/1959	Huthsing, Sr. et al.	.	
3,011,514	12/1961	Huthsing, Sr.	.	
3,015,414	1/1962	Wilson	.	
3,061,148	10/1962	Knapp	.	

(List continued on next page.)

### Related U.S. Application Data

[63] Continuation-in-part of Ser. No. 828,653, Jan. 31, 1992,  
Pat. No. D. 336,090.

[52] U.S. Cl. .... **D15/7**

[58] Field of Search ..... **D9/158; 137/223;**  
**12/114.6; D15/1-9; D21/59; D32/2**

[56] **References Cited**

#### U.S. PATENT DOCUMENTS

D. 60,511	3/1922	Boyce	.	
D. 93,826	11/1934	Huthsing	.	
D. 97,647	11/1935	Miller et al.	.	
D. 140,743	4/1945	Boal	.	
D. 143,947	2/1946	Baker	.....	D15/5
D. 147,933	11/1947	Stroop	.	
D. 152,645	2/1949	Nurkiewicz	.	
D. 152,812	2/1949	Mapes	.	
D. 172,354	6/1954	Line	.	
D. 187,415	3/1960	Sanchis	.	
D. 194,715	2/1963	Michel	.	
D. 225,619	12/1972	Bruce	.	
D. 230,576	3/1974	Bruce	.	
D. 241,912	10/1976	Ishigaki	.	
D. 244,392	5/1977	Montambo	.	
D. 244,578	6/1977	Avant	.	
D. 244,702	6/1977	Montambo	.	
D. 250,353	11/1978	Avant	.	
D. 278,244	4/1985	Boetger	.	
D. 300,433	3/1989	Byar et al.	.	
D. 306,782	3/1990	Enk	.	
D. 311,055	10/1990	Corley	.	

### FOREIGN PATENT DOCUMENTS

509789	3/1952	Belgium	.	
3205264	8/1983	Fed. Rep. of Germany	.	
601166	2/1926	France	.	
288671	5/1928	United Kingdom	.	
296298	3/1929	United Kingdom	.	
738495	10/1955	United Kingdom	.	

### OTHER PUBLICATIONS

Superflate® by Innovations in Cycling, Inc., *Interbike Buyer 1991 International Bicycle Expos*, p. 145.

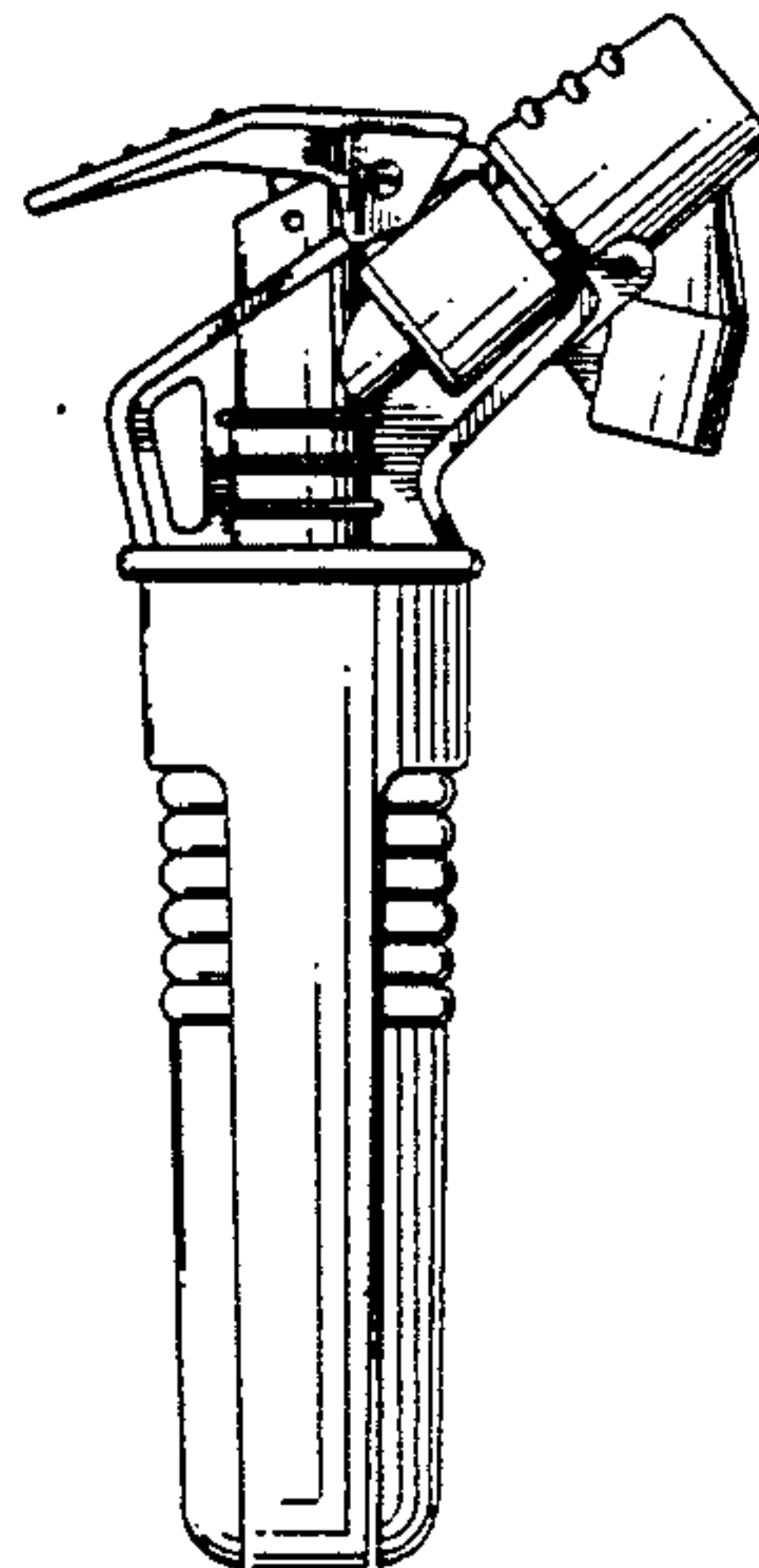
*Primary Examiner*—Ralf T. Seifert  
*Attorney, Agent, or Firm*—Sterne, Kessler, Goldstein & Fox

[57] **CLAIM**

The ornamental design for a pressurized gas inflation device, as shown and described.

### DESCRIPTION

FIG. 1 is a left side elevational view thereof;  
FIG. 2 is a right side elevational view thereof;  
FIG. 3 is a front elevational view thereof;  
FIG. 4 is a rear elevational view thereof;  
FIG. 5 is a top plan view thereof; and,  
FIG. 6 is a bottom plan view thereof.



## U.S. PATENT DOCUMENTS

3,076,609	2/1963	Stocker .	4,054,163	10/1977	Brown, Jr. et al. .
3,080,094	3/1963	Moddermo .	4,168,015	9/1979	Robinette .
3,085,720	4/1963	Boch et al. .	4,482,081	11/1984	Meggs .
3,171,574	3/1965	Simms .	4,489,855	12/1984	Boetger .
3,221,932	12/1965	Anderson .	4,498,604	2/1985	Mackal .
3,248,010	4/1966	De Boer .	4,662,412	5/1987	Swallert .
3,490,648	1/1970	Fujimoto .	4,684,037	8/1987	Gnutti et al. .
3,597,780	8/1971	Coyle .	4,773,454	9/1988	Kroh et al. .
3,632,045	1/1972	Oana ..... 141/19	4,805,802	2/1989	MacKendrick et al. .
3,658,208	4/1972	Hansen .	4,883,199	11/1989	Ouarve et al. .
3,818,908	6/1974	Phillips .	4,946,067	8/1990	Kelsall .
3,865,158	2/1975	Whithrow .	4,966,317	10/1990	Barr .
			4,972,971	11/1990	Janko et al. .
			5,012,954	5/1991	Will .

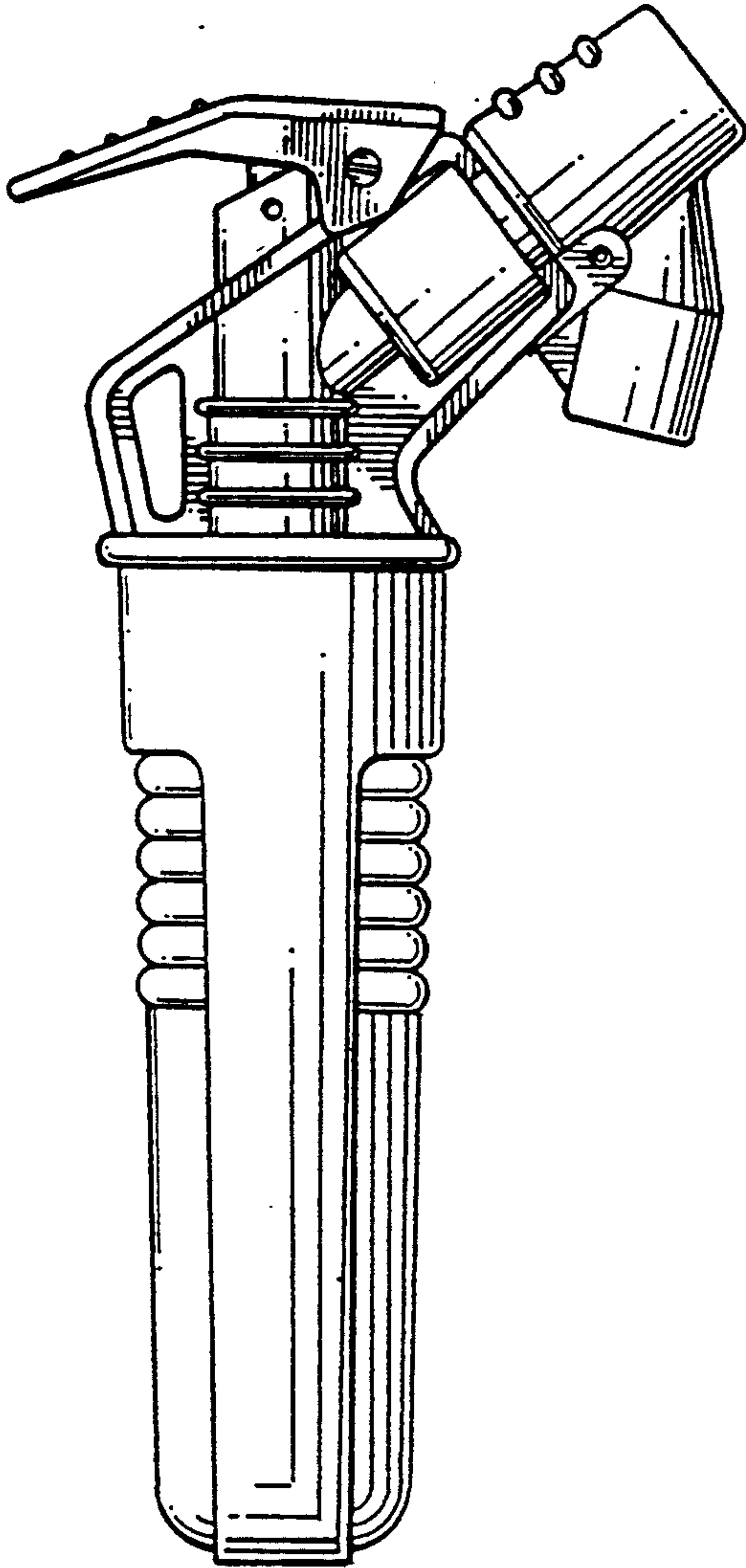


FIG. 1

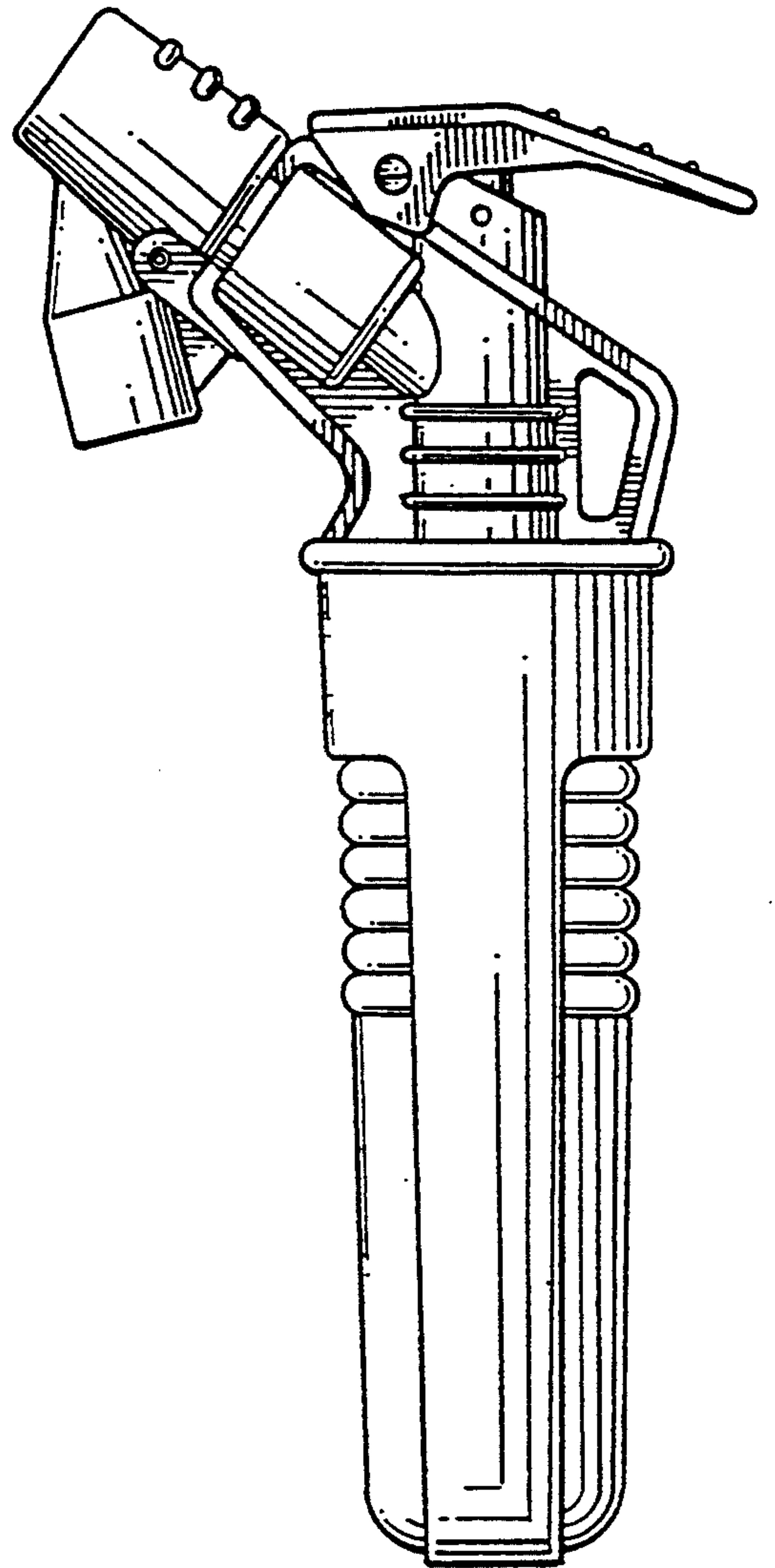


FIG. 2

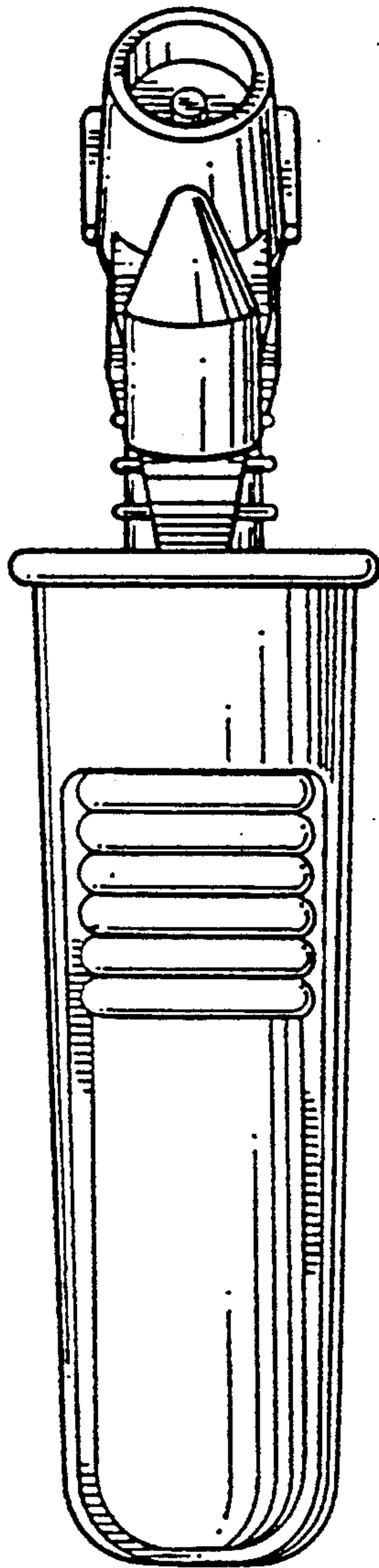


FIG. 3

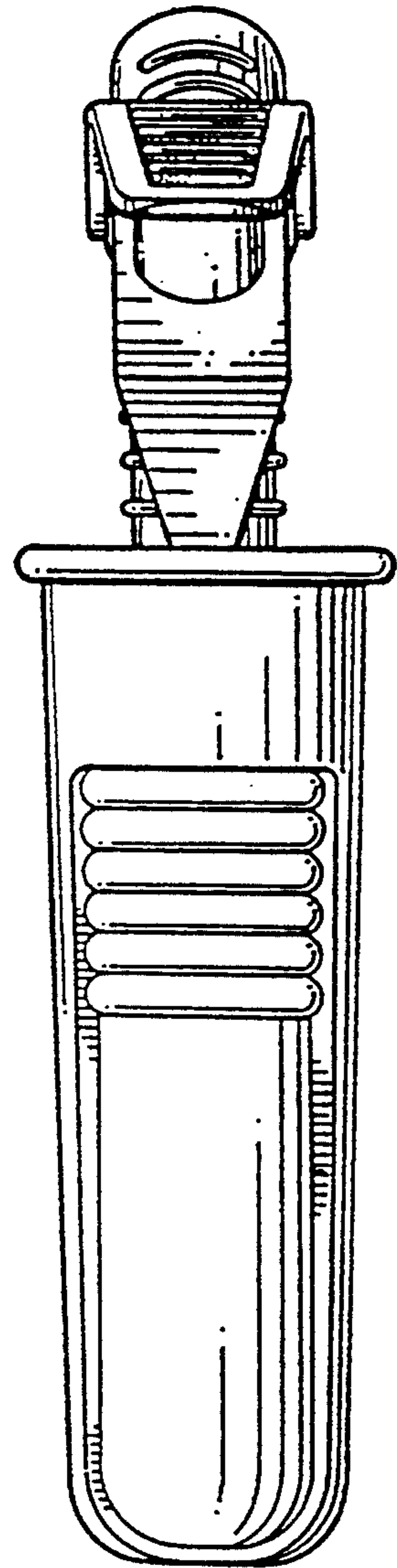


FIG. 4



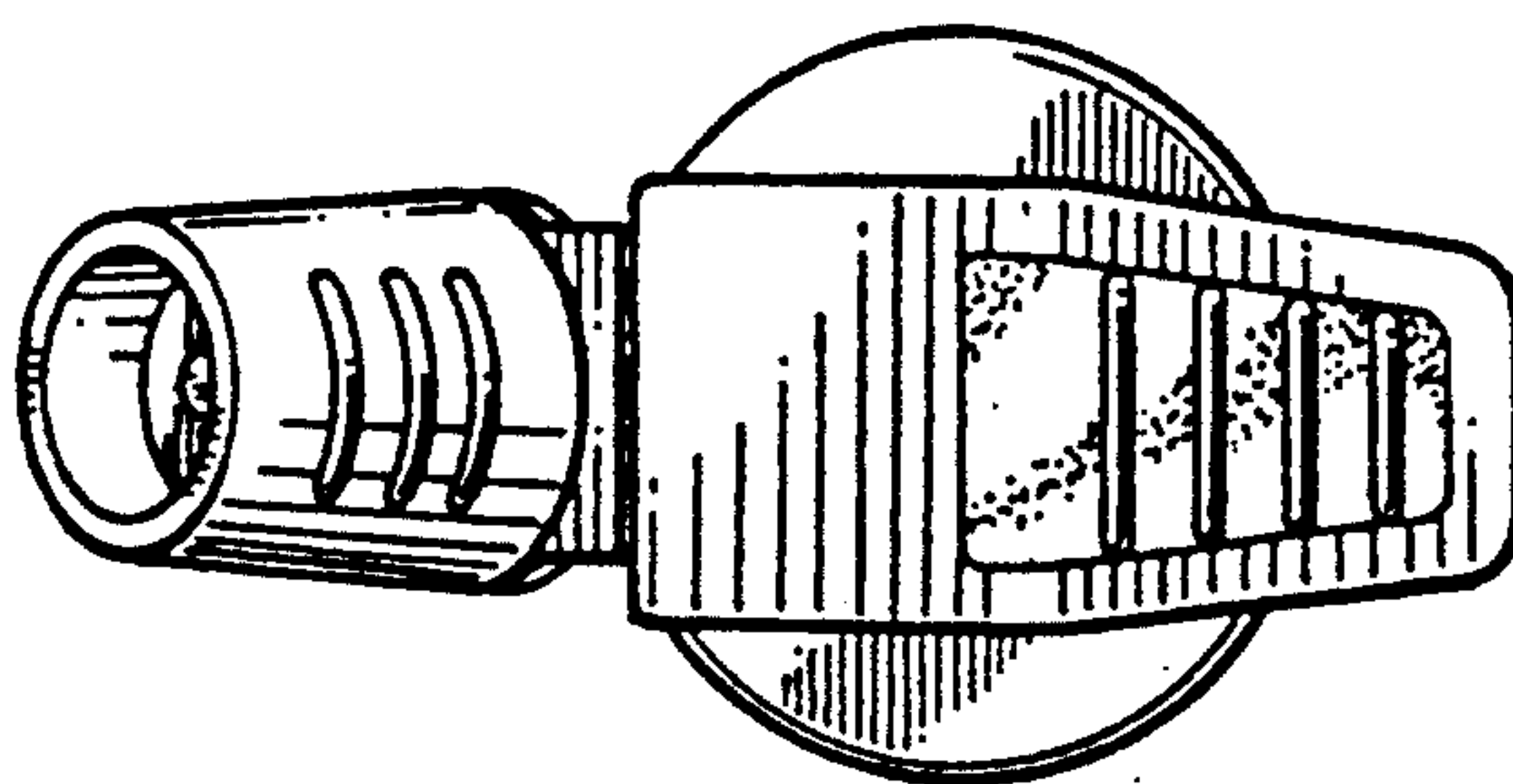


FIG. 5

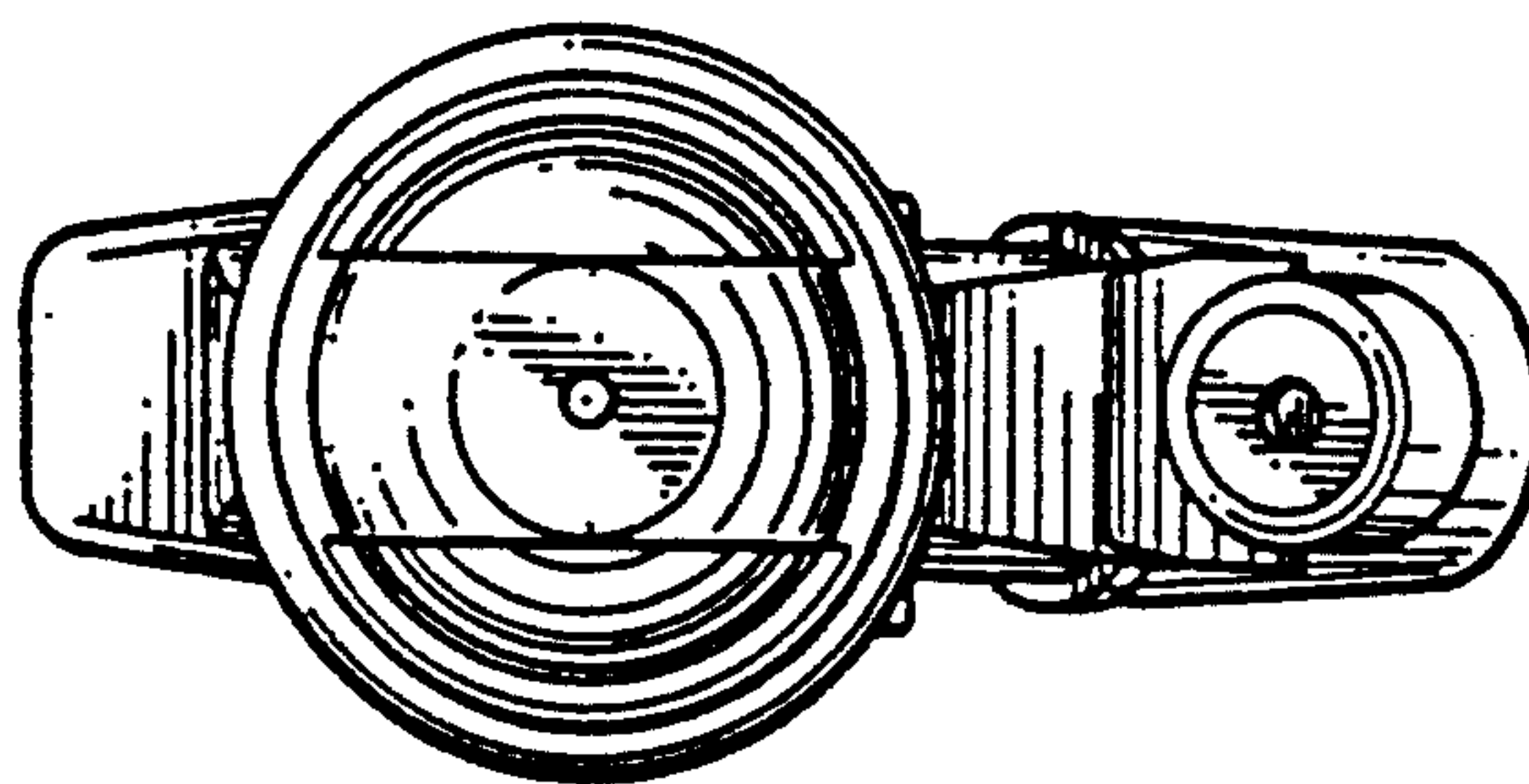


FIG. 6