



US00D348669S

United States Patent [19]

[11] Patent Number: **Des. 348,669**

Weidinger

[45] Date of Patent: **** Jul. 12, 1994**

[54] **TELEPHONE SET**

[75] Inventor: **Joe Weidinger, Phoenix**

[73] Assignee: **Premier Telecom Products, Inc., Kans.**

[**] Term: **14 Years**

[21] Appl. No.: **5,152**

[22] Filed: **Feb. 24, 1993**

[52] U.S. Cl. **D14/151**

[58] Field of Search 379/420, 419, 428, 440, 379/441, 435, 436, 368, 94; D14/240, 241, 140, 142, 149-151, 251, 253, 137, 138

4,375,584 3/1983 Muzumdar et al. .
 4,385,212 5/1983 Tyler .
 4,517,420 5/1985 Haskins .
 4,581,495 4/1986 Geri et al. .
 4,736,406 4/1988 Molnar .
 4,773,090 9/1988 Goatman .
 4,782,522 11/1988 Kramer et al. .
 4,868,875 9/1989 Goatman .

FOREIGN PATENT DOCUMENTS

1223889 9/1966 Fed. Rep. of Germany .

Primary Examiner—Nelson C. Holtje

Assistant Examiner—Jeffrey Asch

Attorney, Agent, or Firm—Kokjer, Kircher, Bowman & Johnson

[56] **References Cited**

U.S. PATENT DOCUMENTS

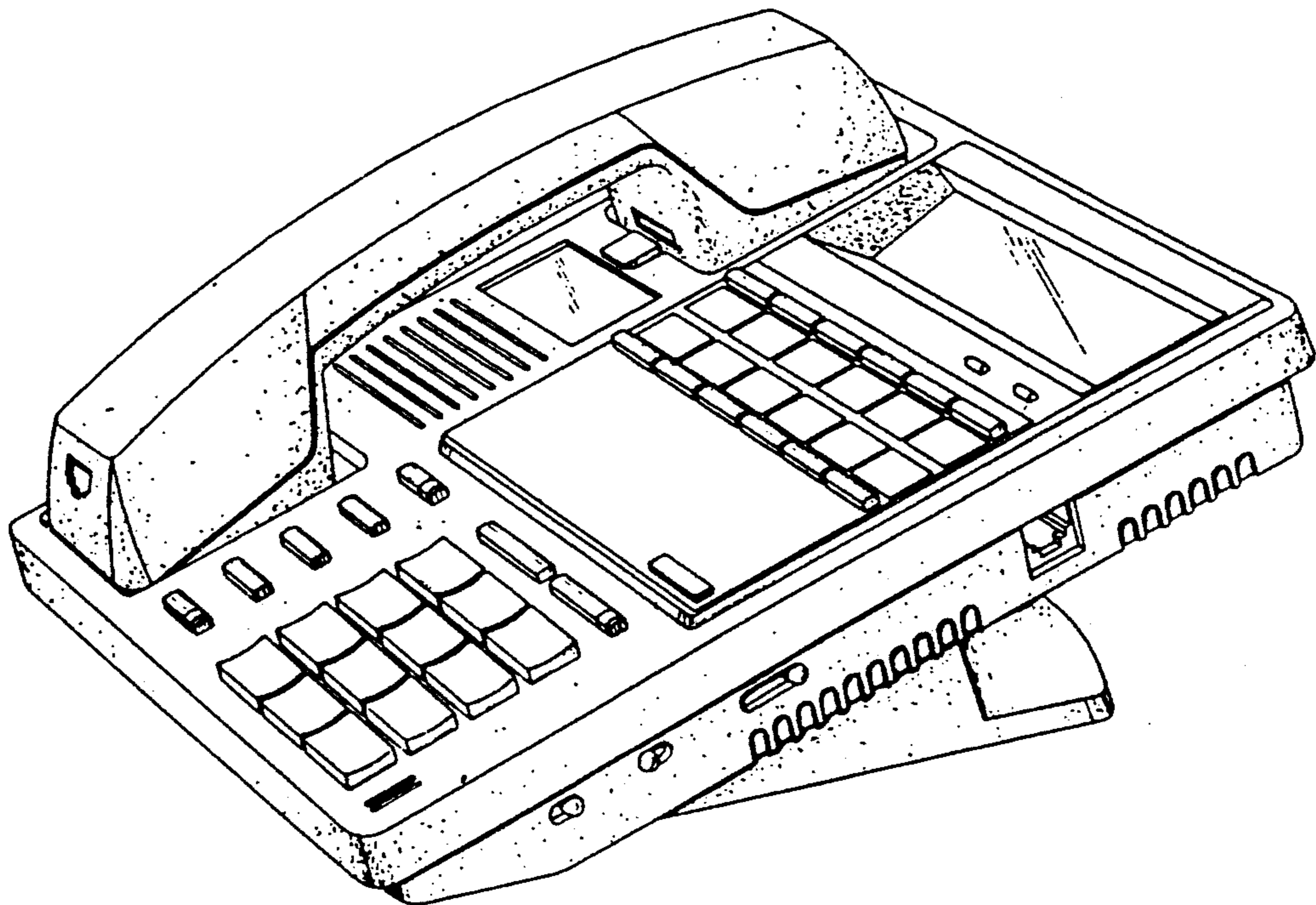
D. 296,784 7/1988 Yamagishi D14/151
 D. 296,892 7/1988 Aschauer D14/151
 D. 300,925 5/1989 Nogas D14/151
 D. 306,587 3/1990 Ando D14/151
 D. 310,076 8/1990 Kido et al. D14/241 X
 D. 318,276 7/1991 Fuqua et al. D14/241 X
 D. 319,643 9/1991 Ando D14/151
 D. 323,827 2/1992 Kido et al. D14/151 X
 D. 337,585 7/1993 Taniguchi D14/151
 D. 338,462 8/1993 Nogas D14/151
 3,521,008 7/1970 Tyson .
 3,558,831 1/1971 Rumson .
 3,838,229 9/1974 Morrell et al. .
 3,916,103 10/1975 Morrell et al. .
 3,941,951 3/1976 Engstrom et al. .
 4,032,727 6/1977 Burns, Jr. .
 4,081,629 3/1978 Benesh et al. .

[57] **CLAIM**

The ornamental design for a telephone set, as shown and described.

DESCRIPTION

FIG. 1 is a perspective view from the right side and above the top of a telephone set showing my new design;
 FIG. 2 is a similar perspective view thereof with the handset removed for clarity of illustration;
 FIG. 3 is a front elevational view thereof;
 FIG. 4 is a top plan view thereof;
 FIG. 5 is a rear elevational view thereof;
 FIG. 6 is a left side elevational view thereof;
 FIG. 7 is a right side elevational view thereof;
 FIG. 8 is a bottom plan view thereof; and,
 FIG. 9 is a left side view of a telephone set showing my new design rotated 90°.



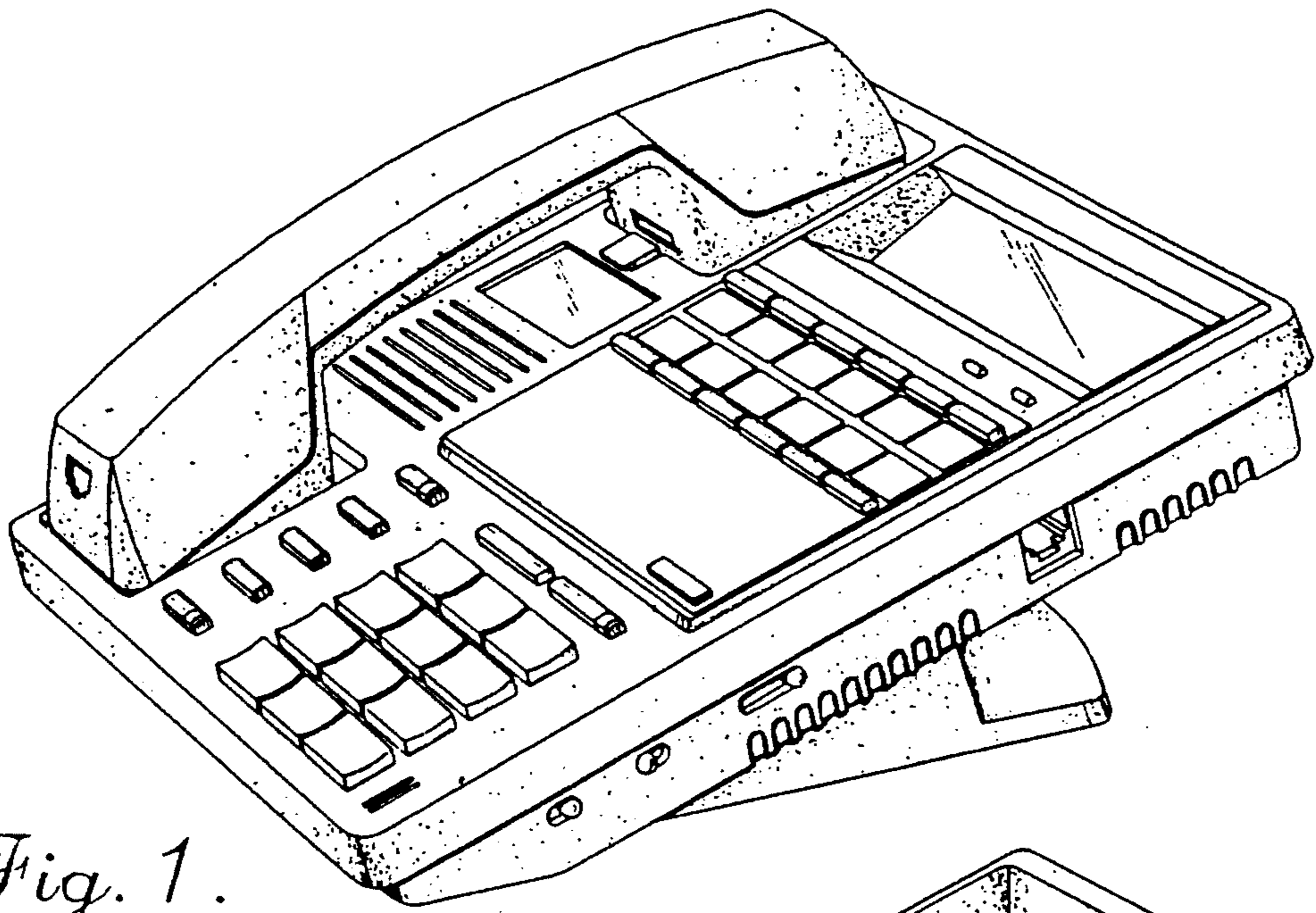


Fig. 1.

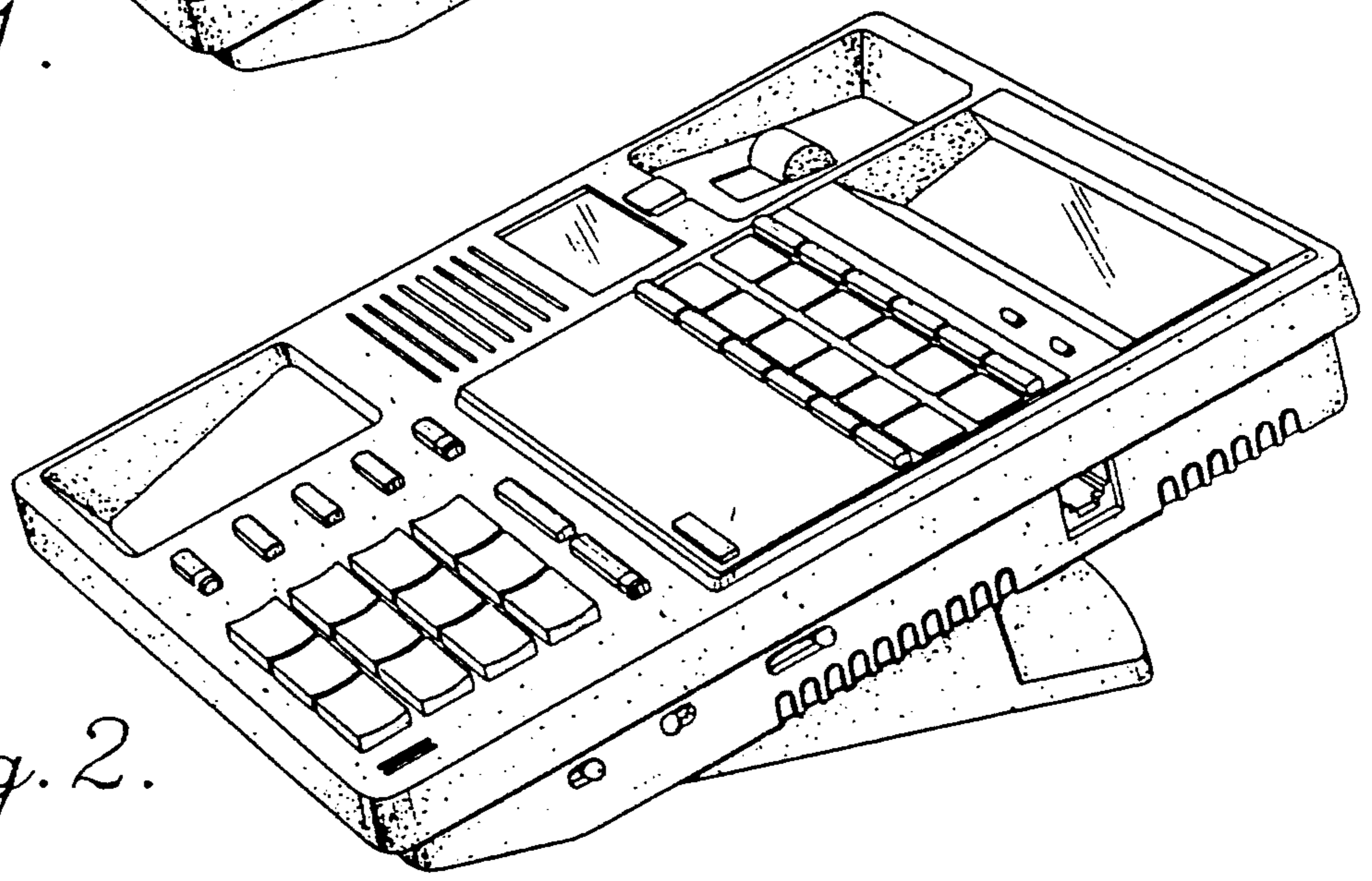


Fig. 2.

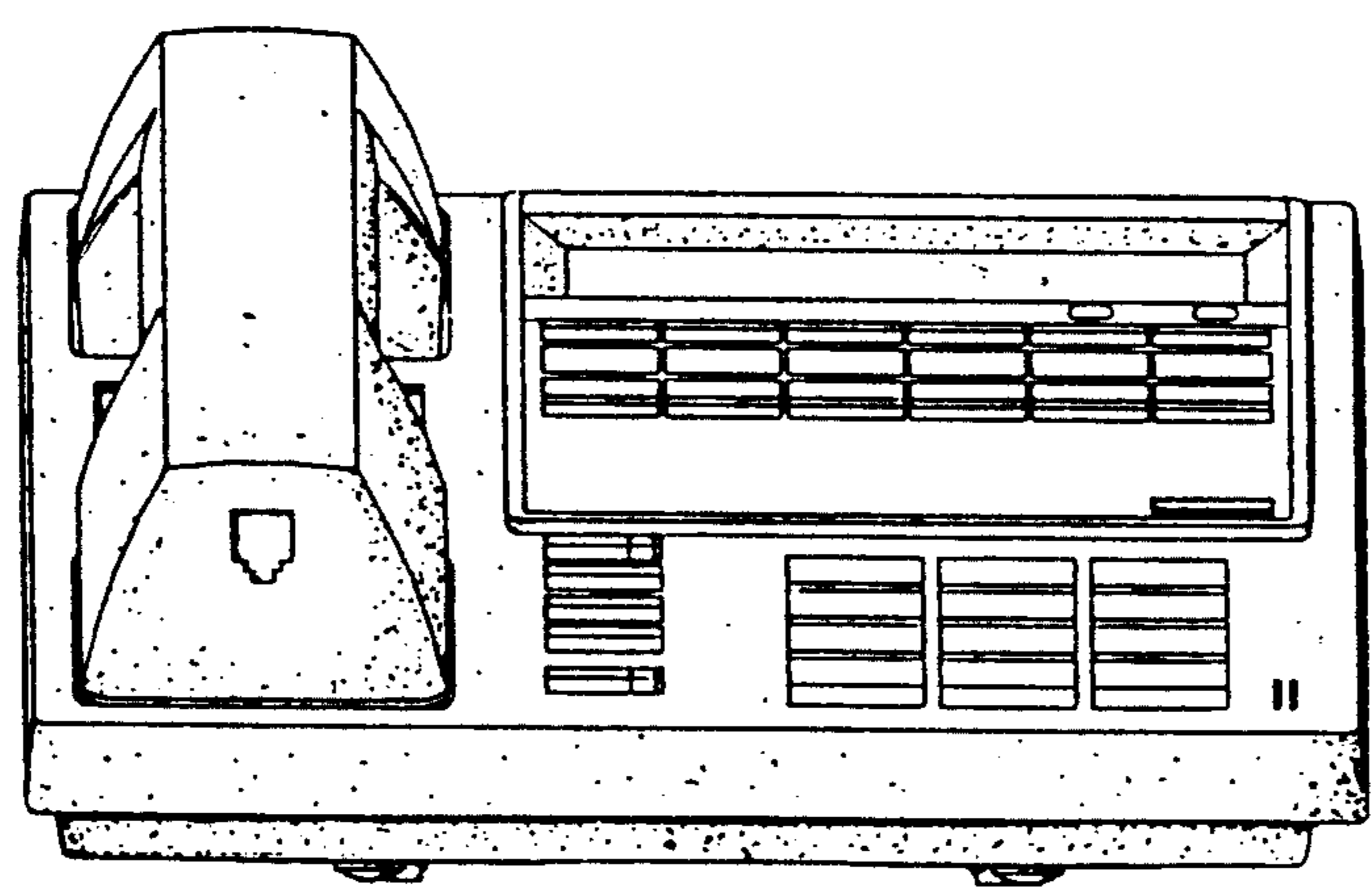


Fig. 3.

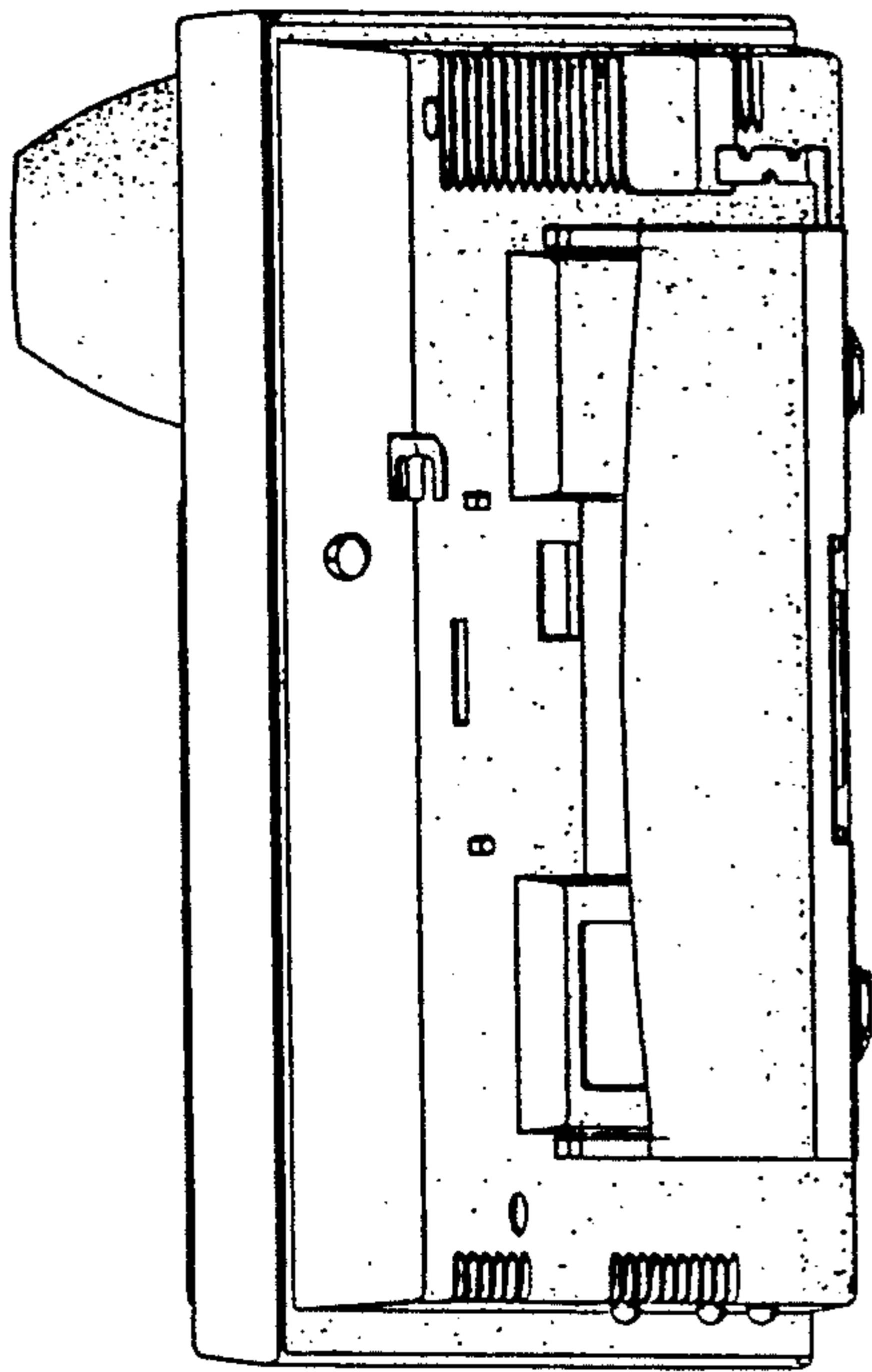


Fig. 5.

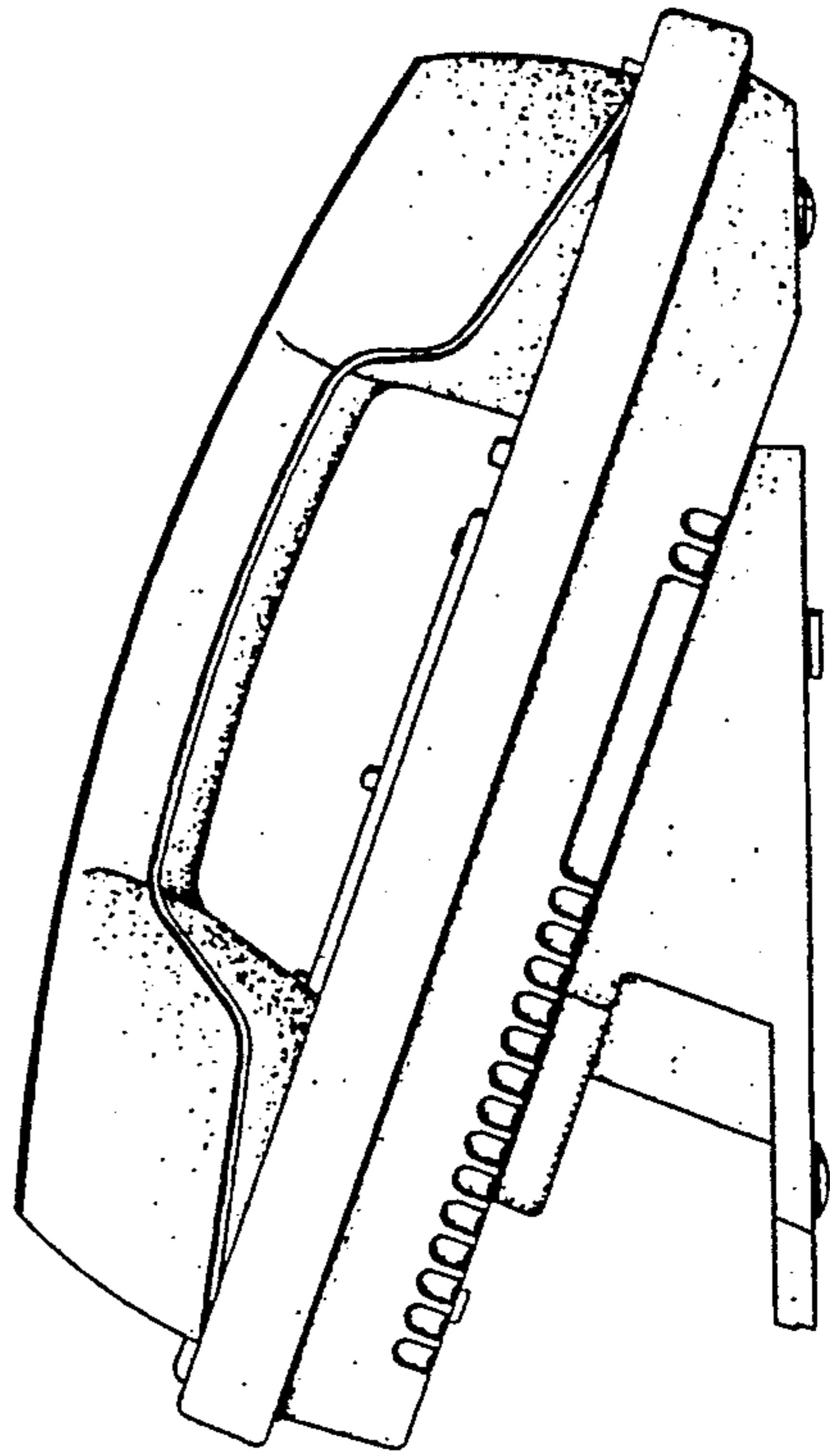


Fig. 6.

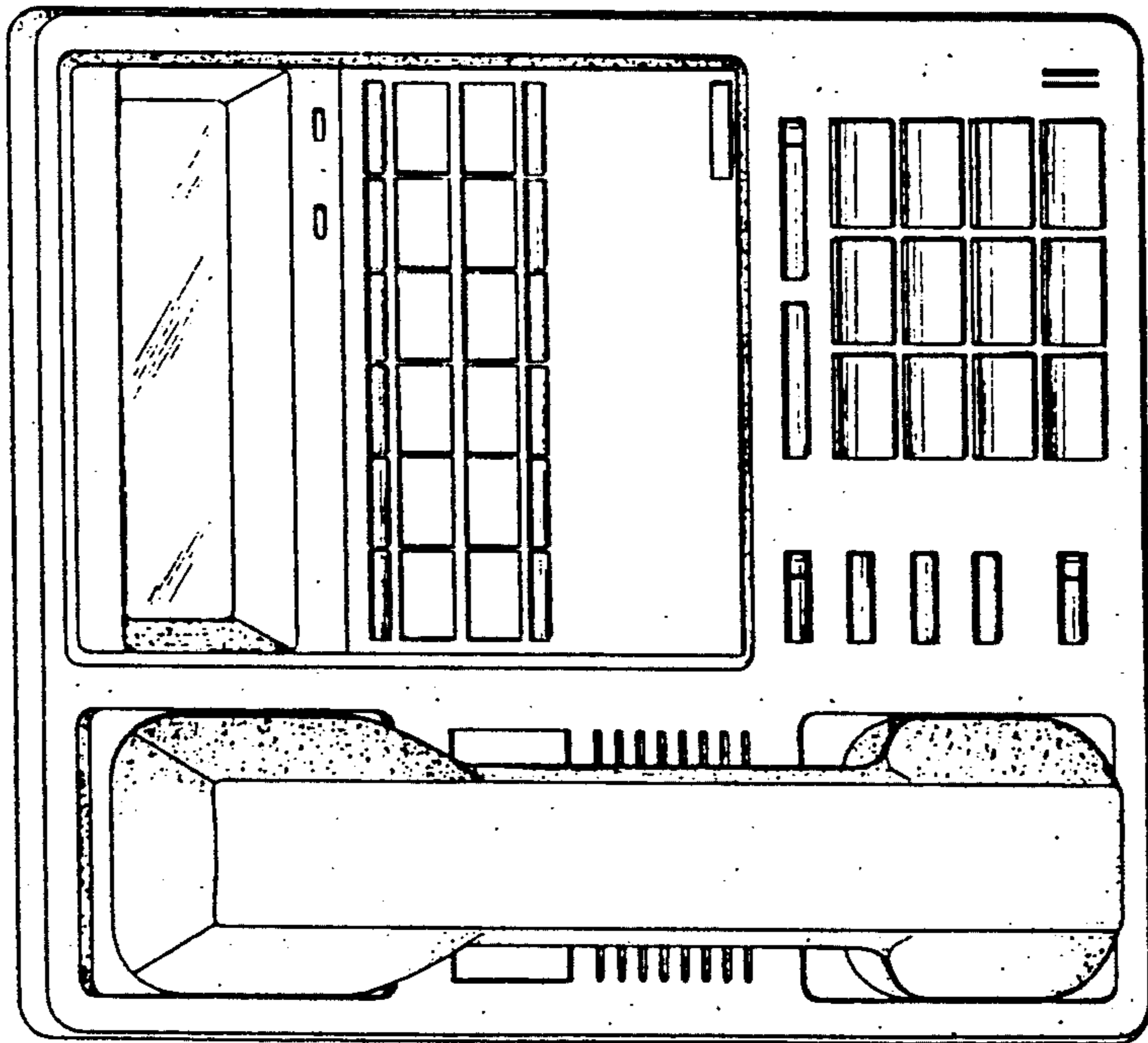


Fig. 4.

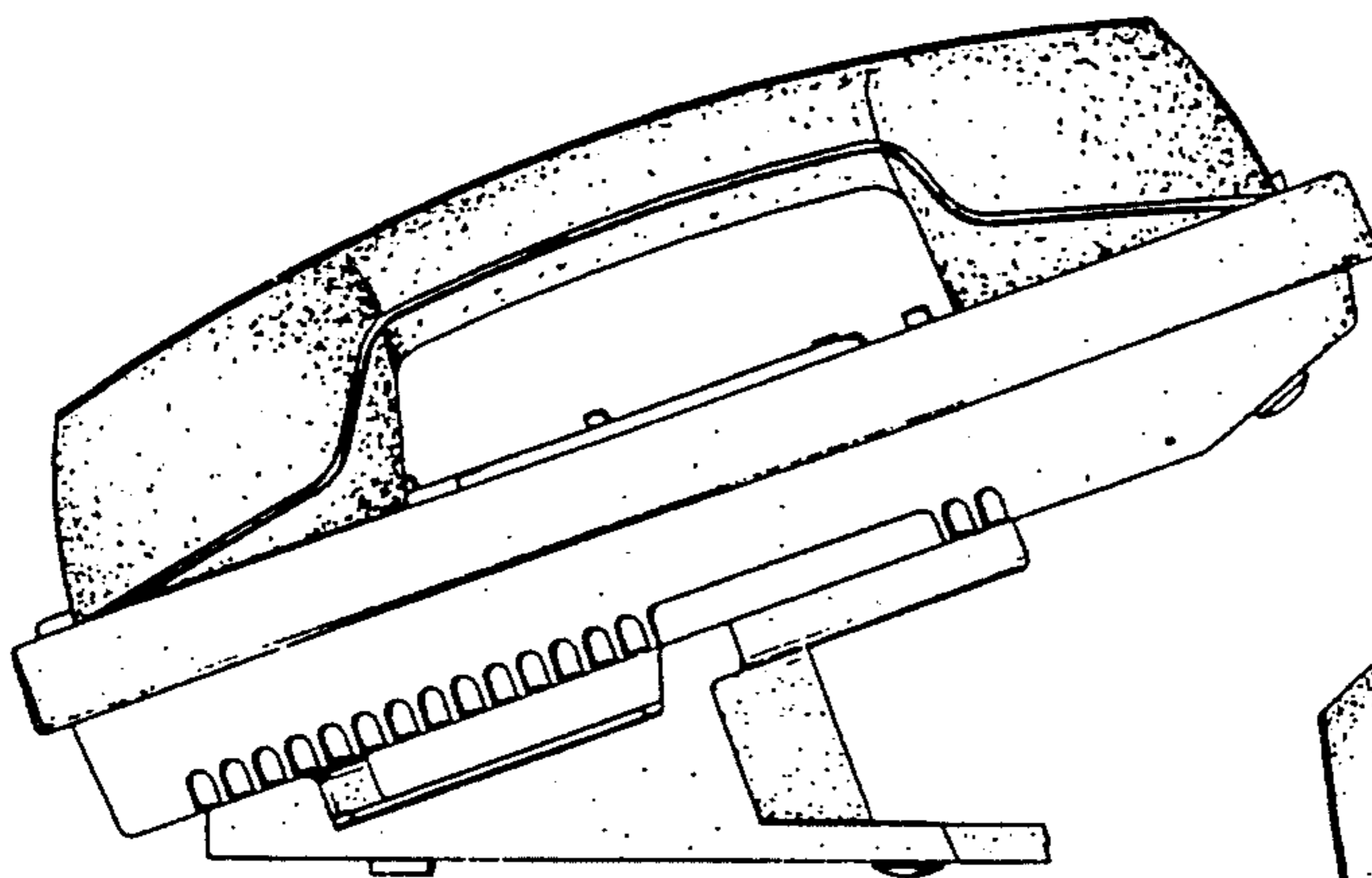


Fig. 9.

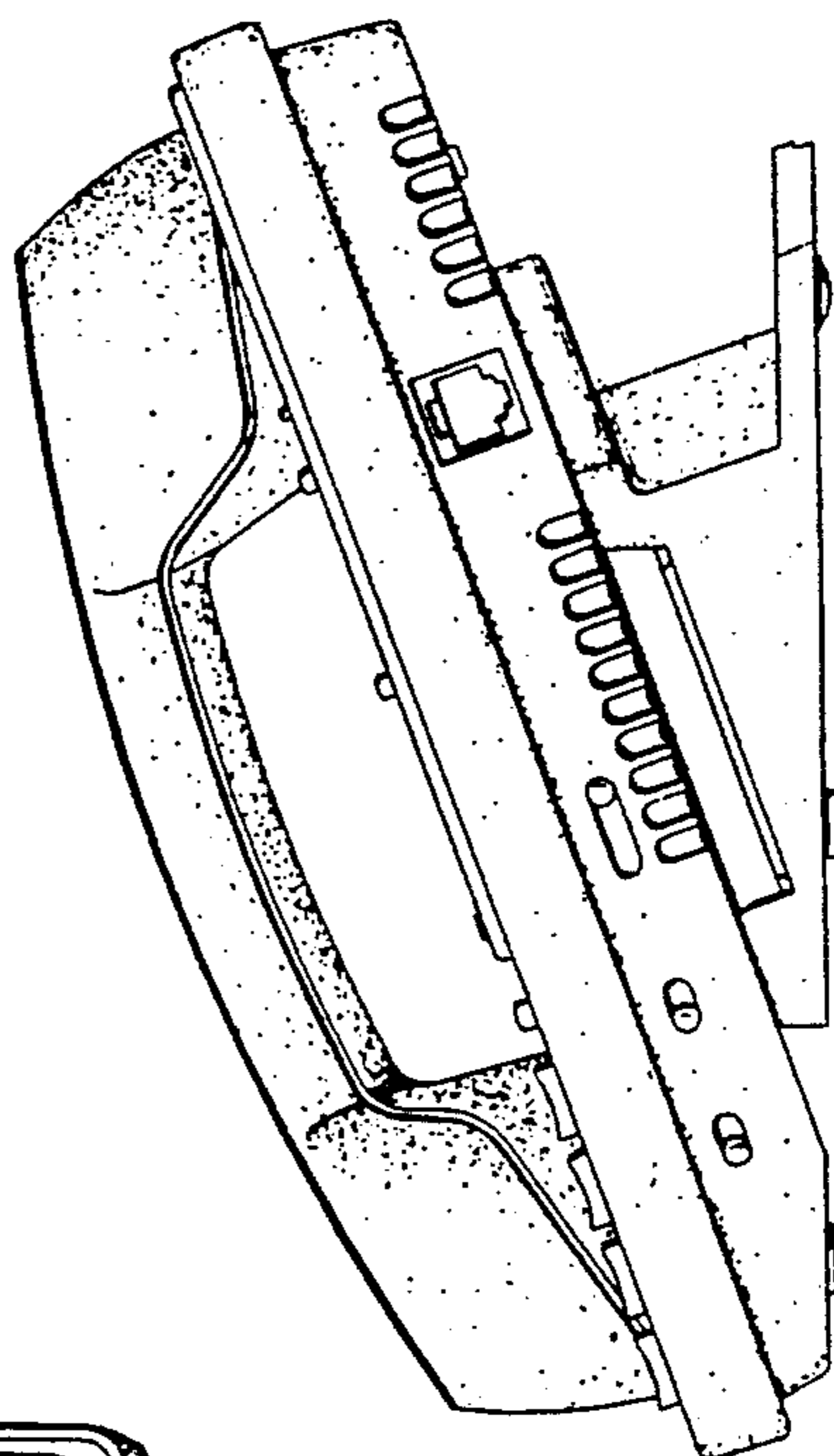


Fig. 7.

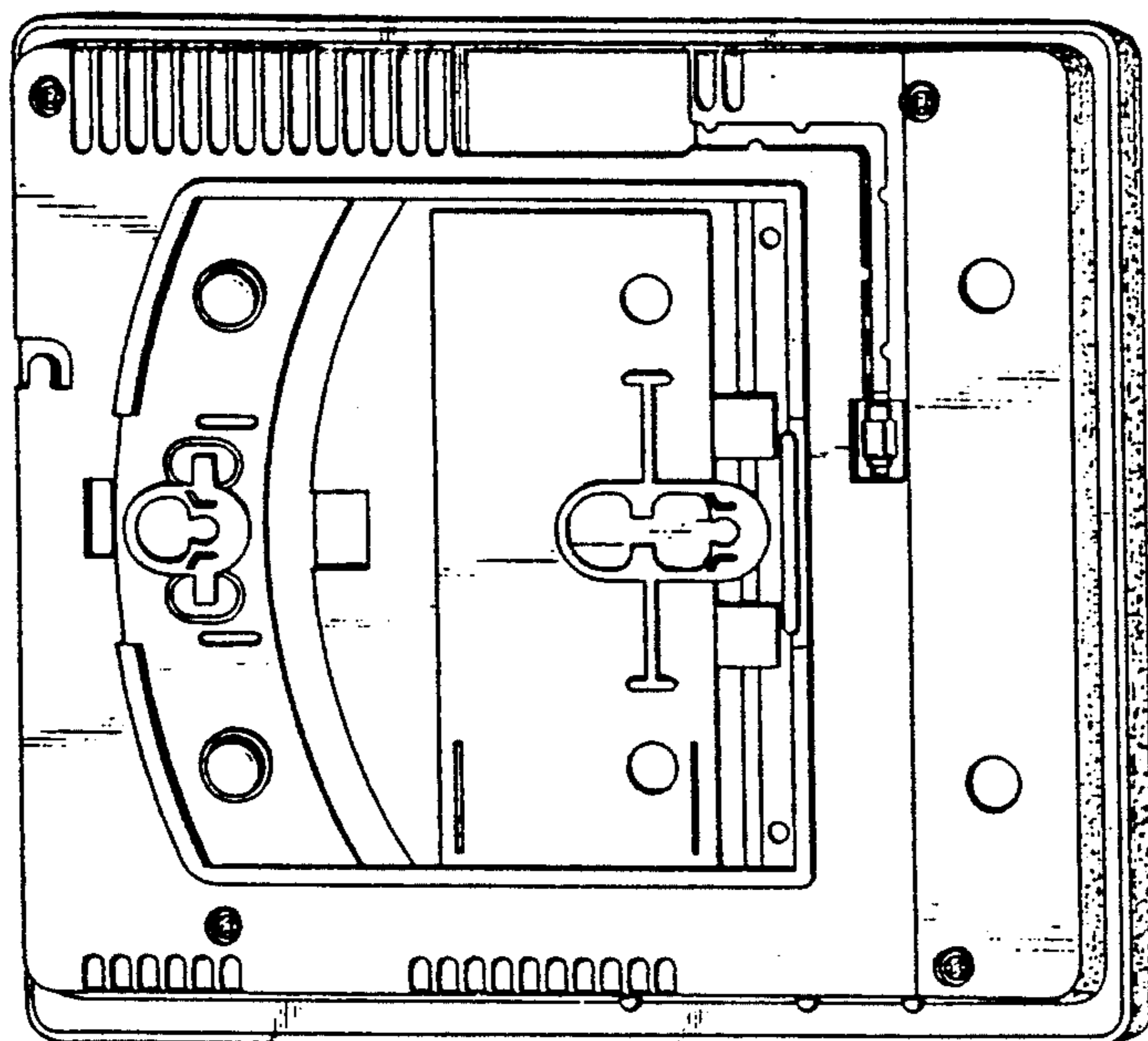


Fig. 8.