



US00D348667S

United States Patent [19]

Oksman et al.

[11] Patent Number: **Des. 348,667**

[45] Date of Patent: **** Jul. 12, 1994**

[54] **MOBILE TELEPHONE**

[75] Inventors: **Markku Oksman, Turku, Finland;**
Adam White, London, England

[73] Assignee: **Nokia Mobile Phones Ltd., Salo,**
Finland

[**] Term: **14 Years**

[21] Appl. No.: **5,724**

[22] Filed: **Mar. 10, 1993**

[30] **Foreign Application Priority Data**

Sep. 10, 1992 [GB] United Kingdom 2025601

[52] U.S. Cl. **D14/148; D14/149**

[58] Field of Search 379/58-61,
379/423, 446, 419, 428, 420, 440; D14/137, 138,
140, 142, 147, 148, 240, 248, 149, 150, 116

[56] **References Cited**

U.S. PATENT DOCUMENTS

- D. 291,564 8/1987 Kajita D14/138
- D. 304,830 11/1989 Sutoh D14/138
- D. 305,232 12/1989 Sutoh D14/142 X
- D. 305,652 1/1990 Tejima D14/147 X

- D. 319,052 8/1991 Major D14/138
- D. 321,183 10/1991 Powell et al. D14/138
- D. 322,782 12/1991 Nakamachi et al. D14/147 X
- D. 334,926 4/1993 Hunt et al. D14/138
- D. 335,877 5/1993 Watanabe et al. D14/138
- D. 341,138 11/1993 Cummings D14/138
- D. 342,069 12/1993 Konno D14/148

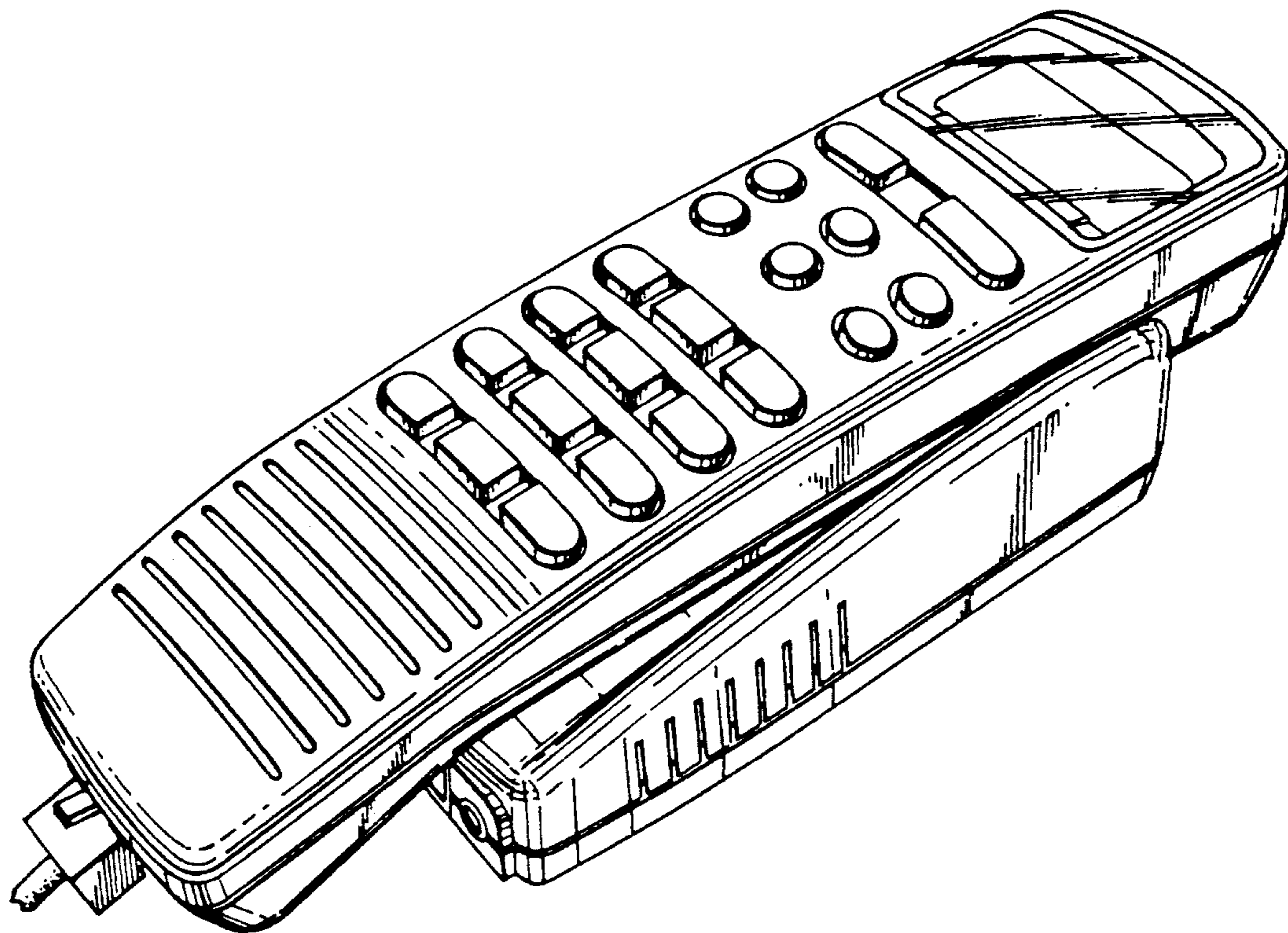
Primary Examiner—Alan P. Douglas
Assistant Examiner—Jeffrey Asch
Attorney, Agent, or Firm—Perman & Green

[57] **CLAIM**

The ornamental design for a mobile telephone, as shown and described.

DESCRIPTION

FIG. 1 is a top plan view of a mobile telephone showing our new design;
FIG. 2 is a rear elevational view;
FIG. 3 is a top and right side perspective view;
FIG. 4 is a left side elevational view;
FIG. 5 is a bottom plan view; and,
FIG. 6 is a front elevational view thereof.
The telephone cord has been shown broken away throughout the views for convenience of illustration.



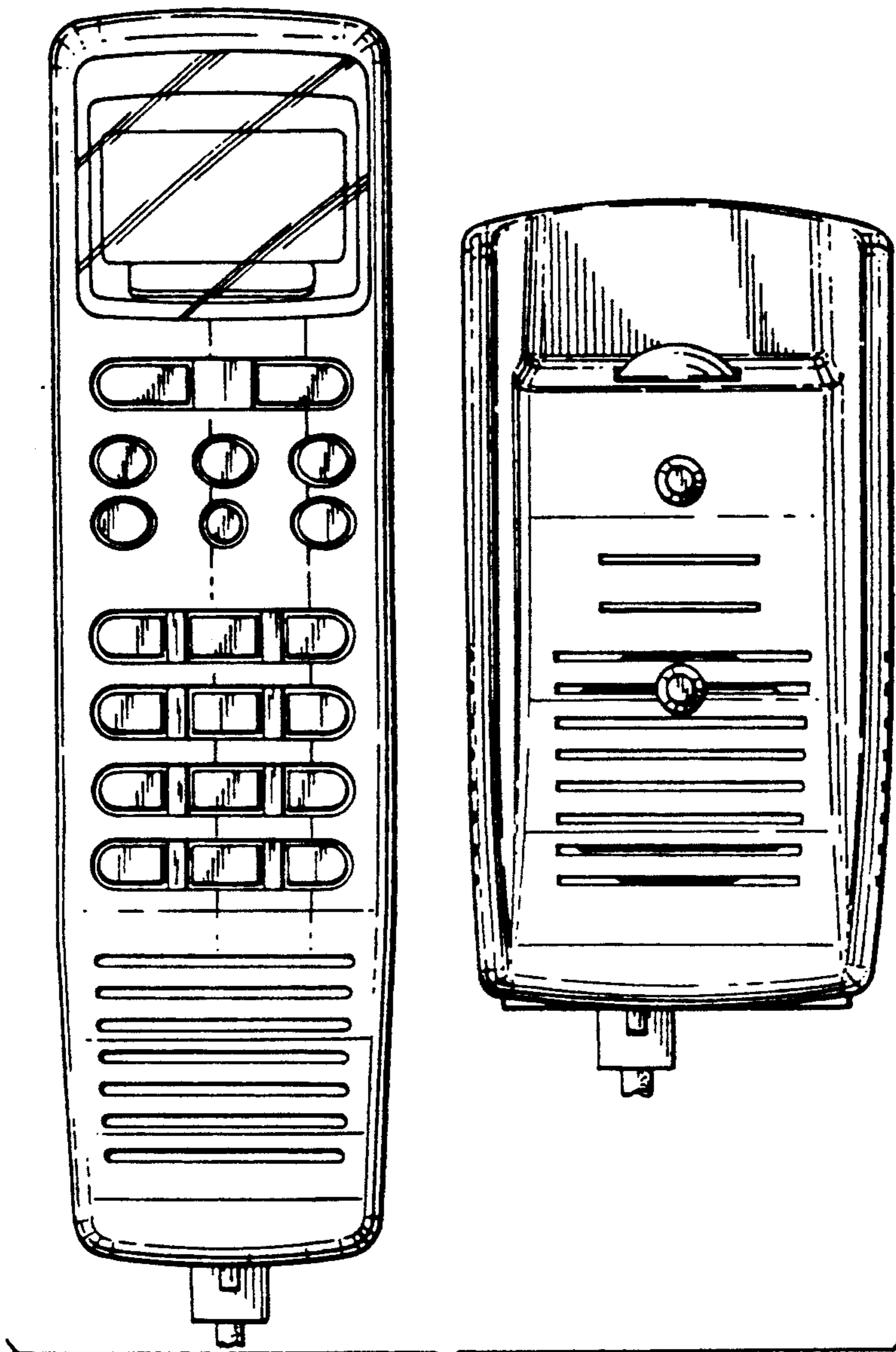


Fig. 1

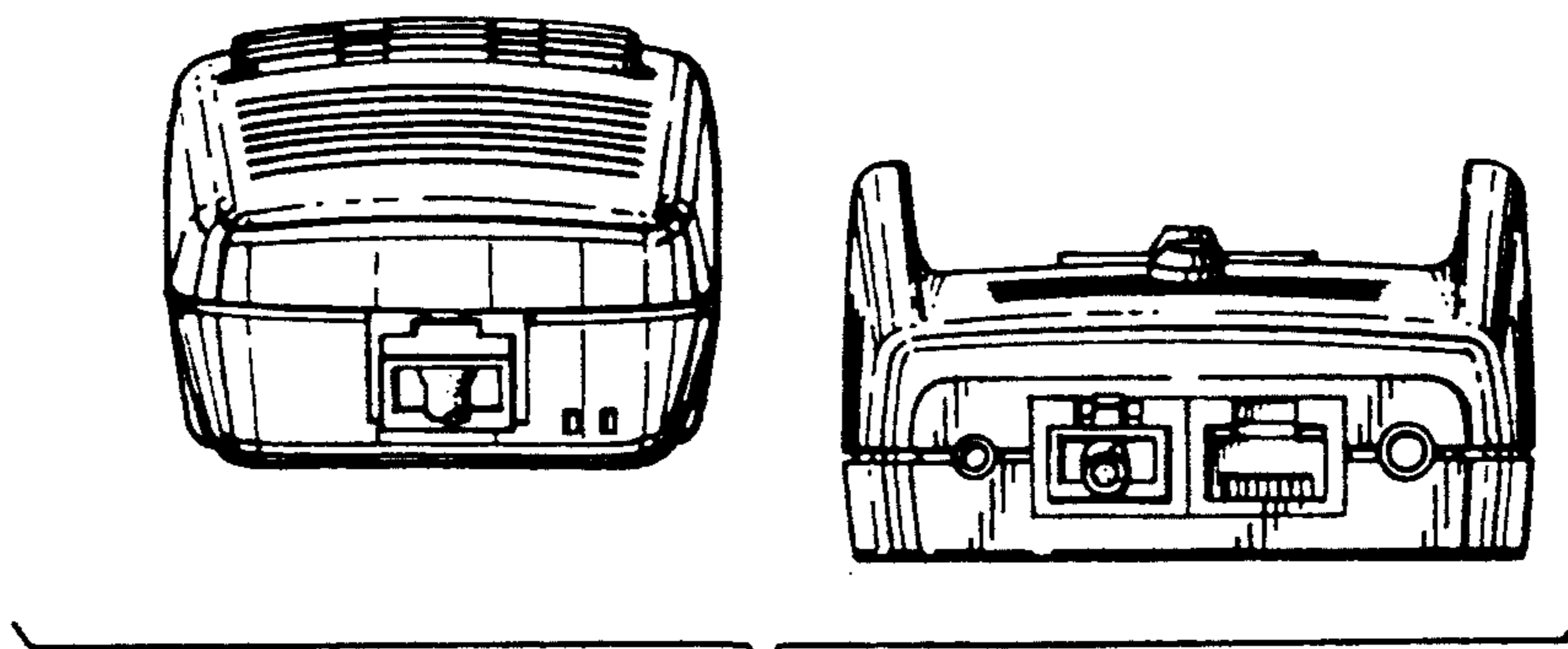
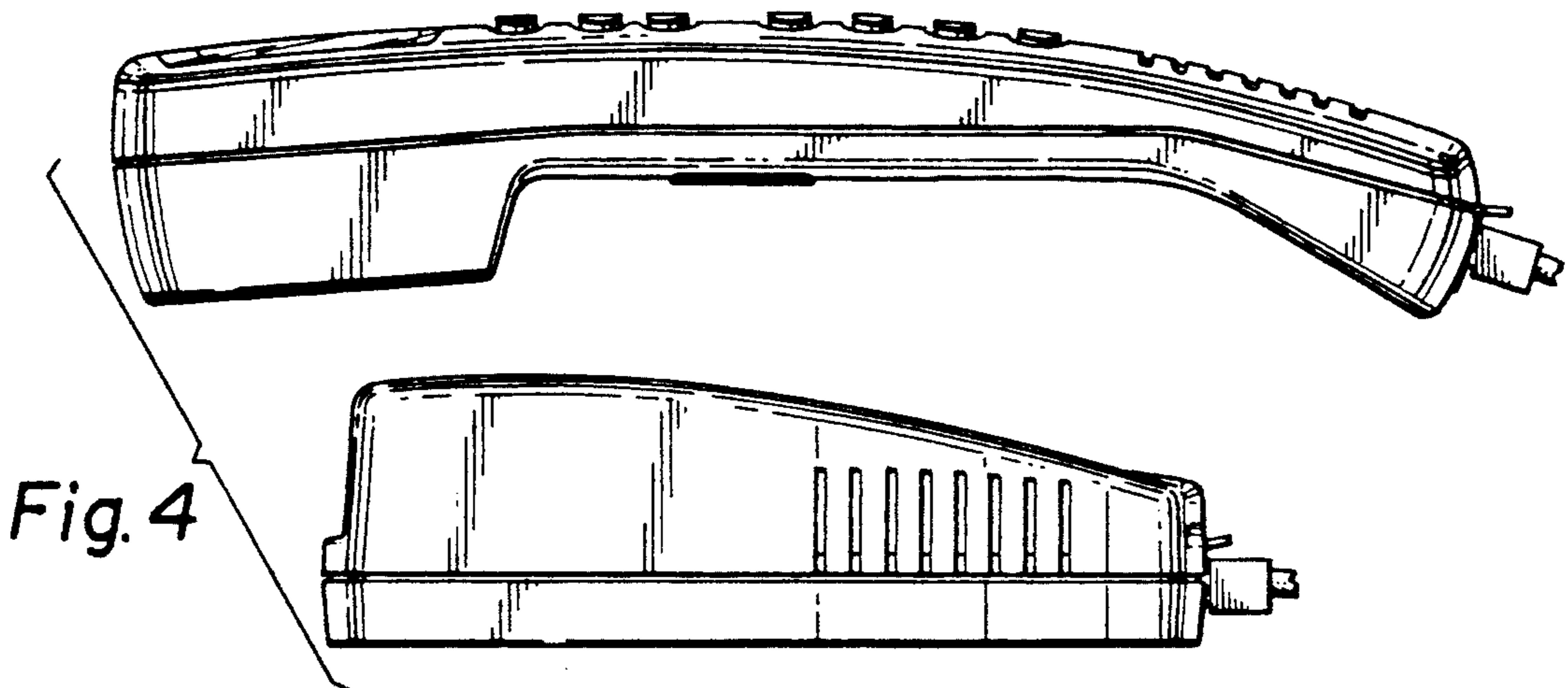
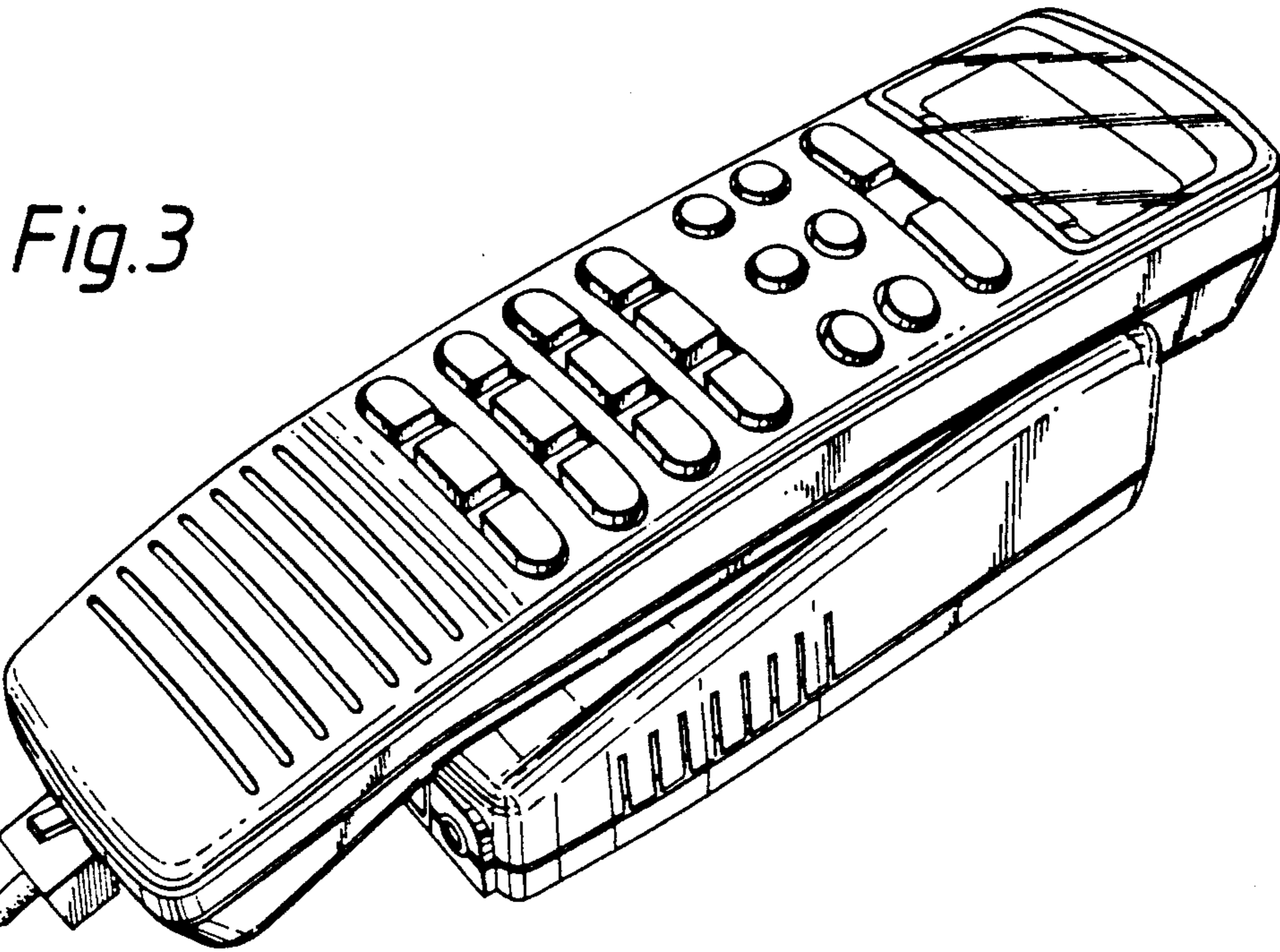


Fig. 2



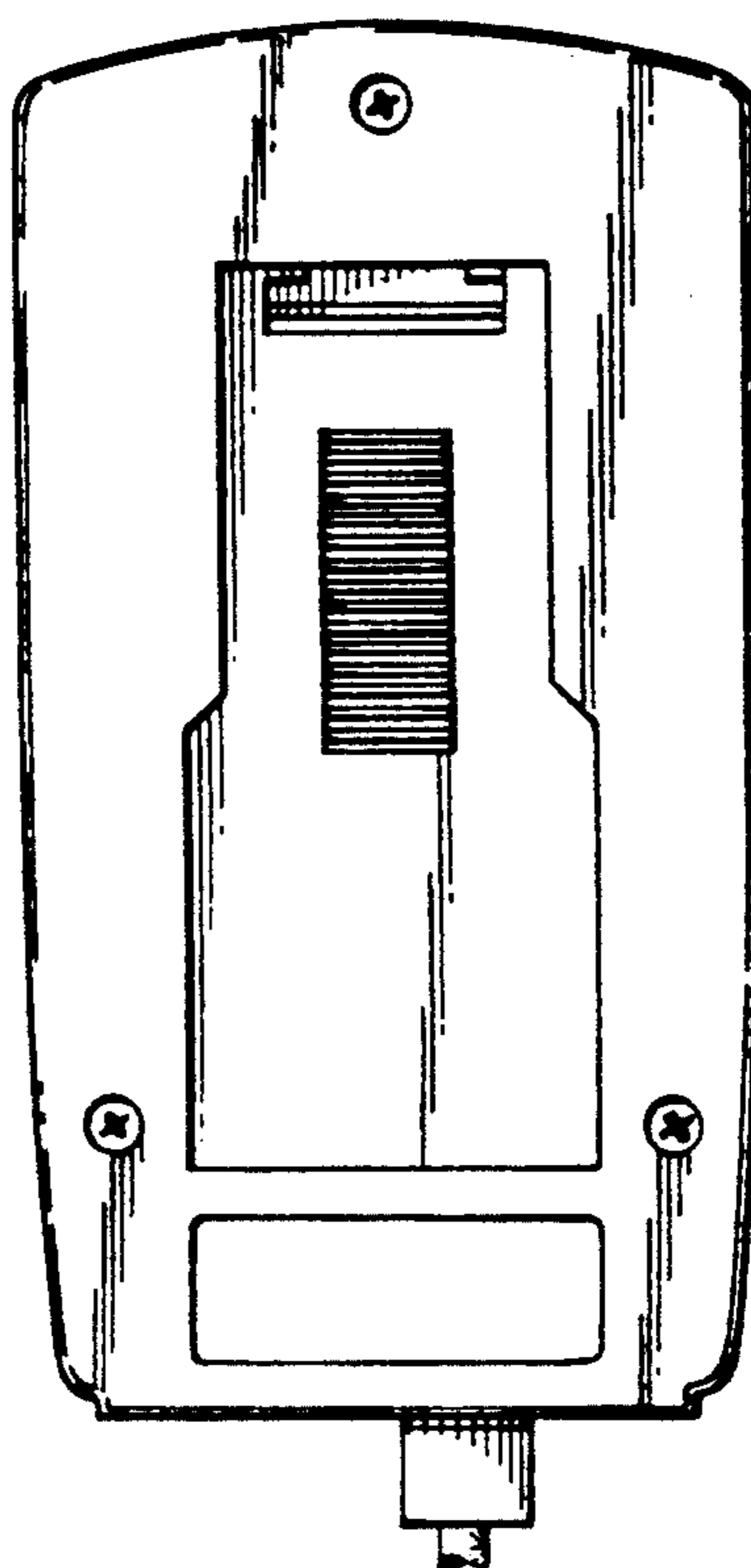
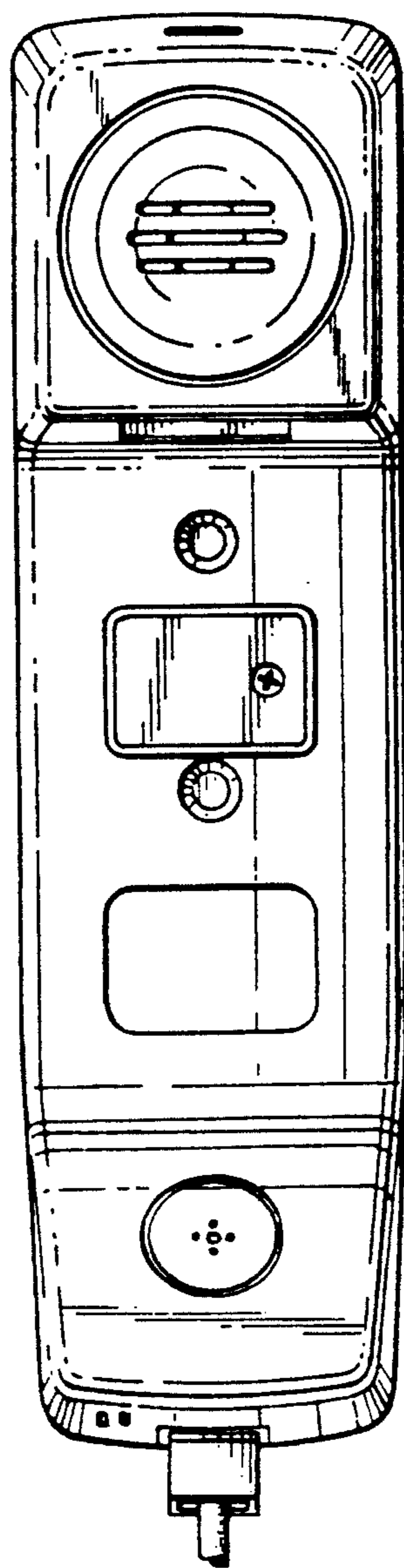


Fig. 5

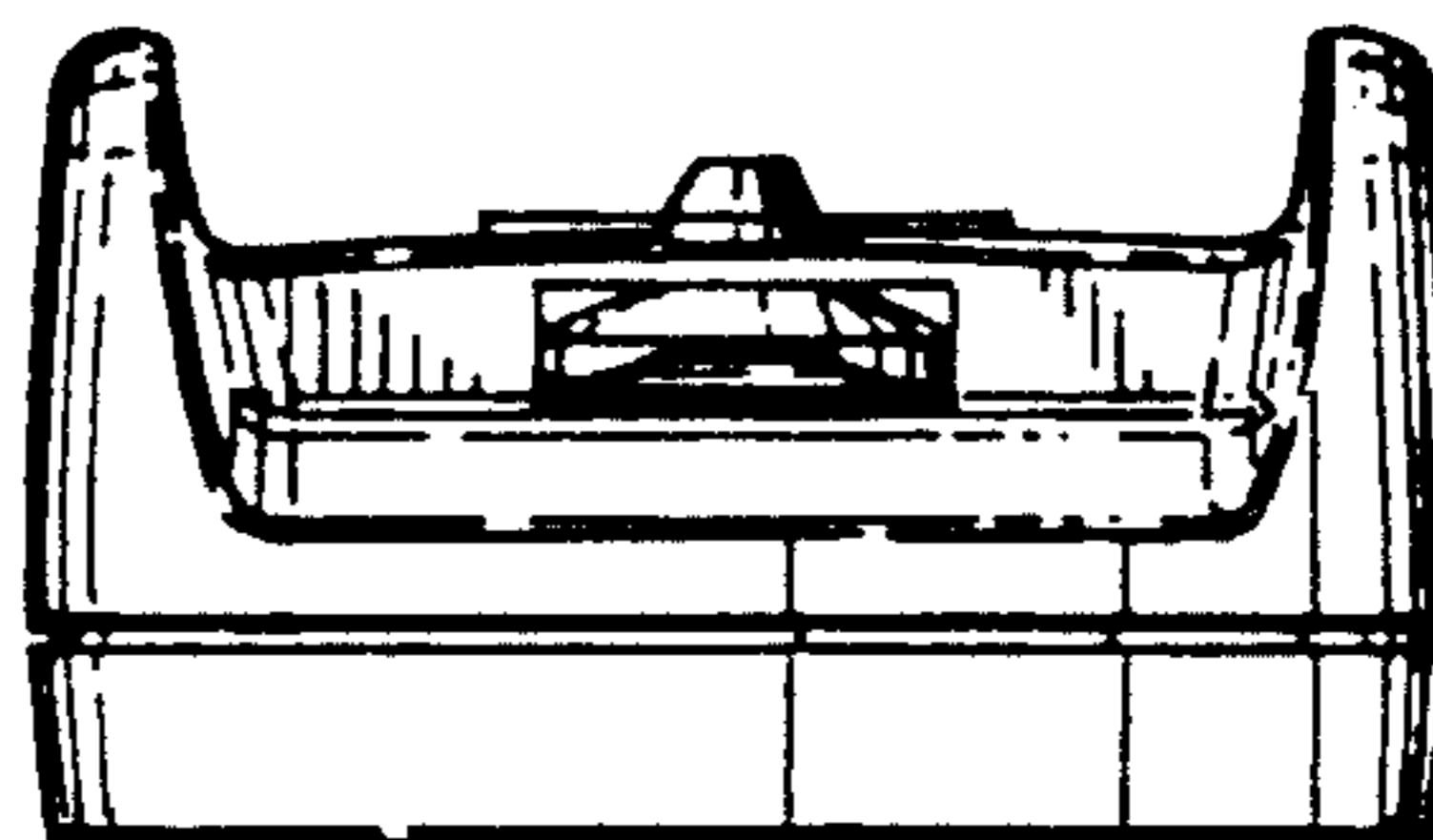
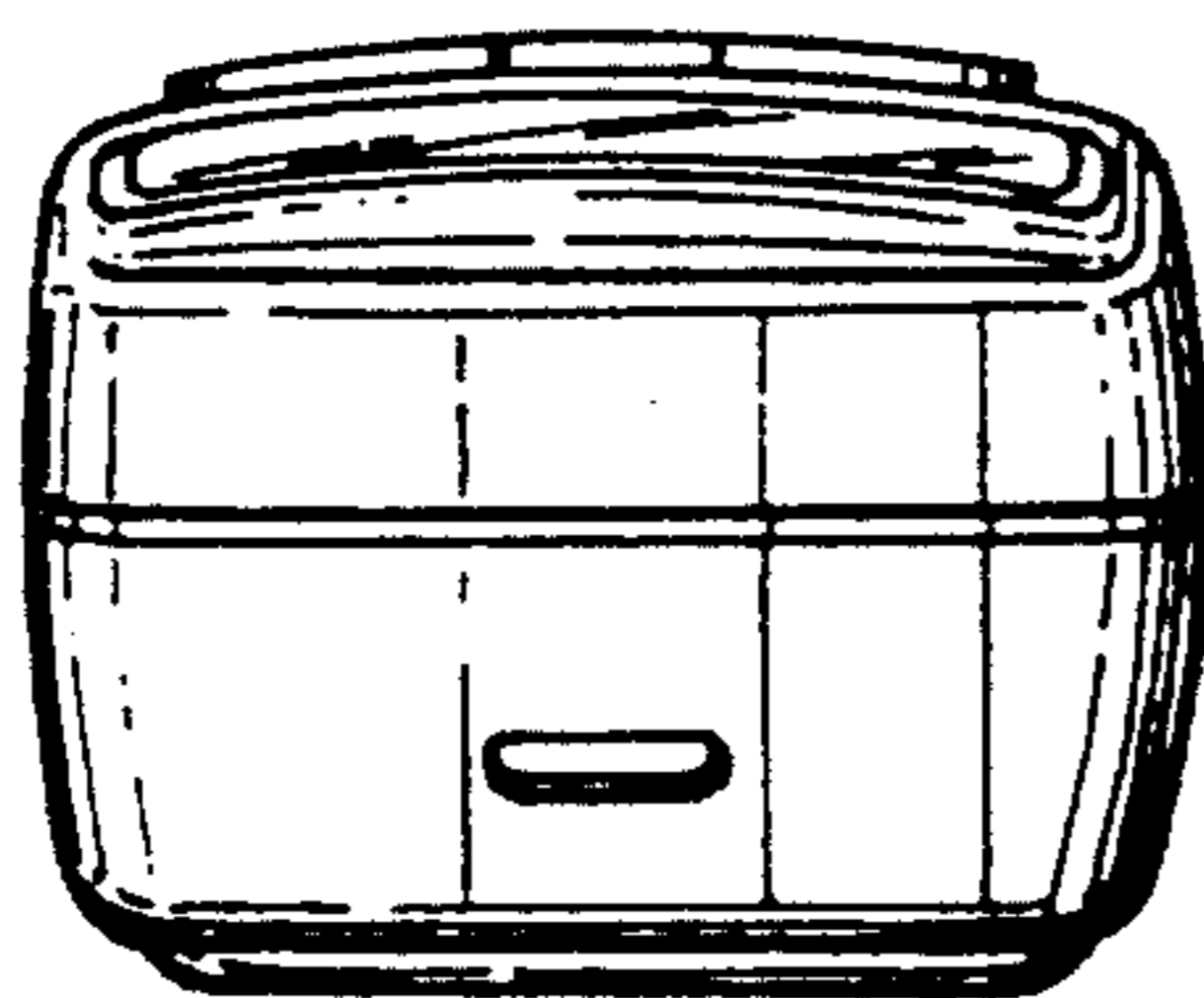


Fig. 6