



US00D348658S

United States Patent [19]

[11] Patent Number: **Des. 348,658**

Wingate

[45] Date of Patent: **** Jul. 12, 1994**

[54] **COMBINED FRAME FOR A PORTABLE COMPUTER MONITOR AND SUPPORT FOR A KEYBOARD**

4,745,518	5/1988	Fang	358/252	X
5,048,928	9/1991	Davis	358/250	X
5,155,627	10/1992	Keehn et al.	358/252	X
5,175,627	12/1992	Josephs	358/255	

[75] Inventor: **Barry Wingate, San Jose, Calif.**

Primary Examiner—Wallace R. Burke

[73] Assignee: **Dolch American Instruments, Inc., Milpitas, Calif.**

Assistant Examiner—M. H. Tung

Attorney, Agent, or Firm—Saidman Design Law Group

[**] Term: **14 Years**

[57] **CLAIM**

[21] Appl. No.: **778,607**

The ornamental design for a combined frame for a portable computer monitor and support for a keyboard, as shown and described.

[22] Filed: **Oct. 17, 1991**

[52] U.S. Cl. **D14/114**

[58] Field of Search 358/64, 231, 250, 252, 358/255; 359/599, 601, 608-610, 614, 894; 248/917-924; D14/113-114, 239; D18/12, 18, 22

DESCRIPTION

FIG. 1 is a front elevational view of a combined frame for a portable computer monitor and support for a keyboard showing my new design;

FIG. 2 is a left side elevational view thereof;

FIG. 3 is a right side elevational view thereof;

FIG. 4 is a top plan view thereof;

FIG. 5 is a bottom plan view thereof;

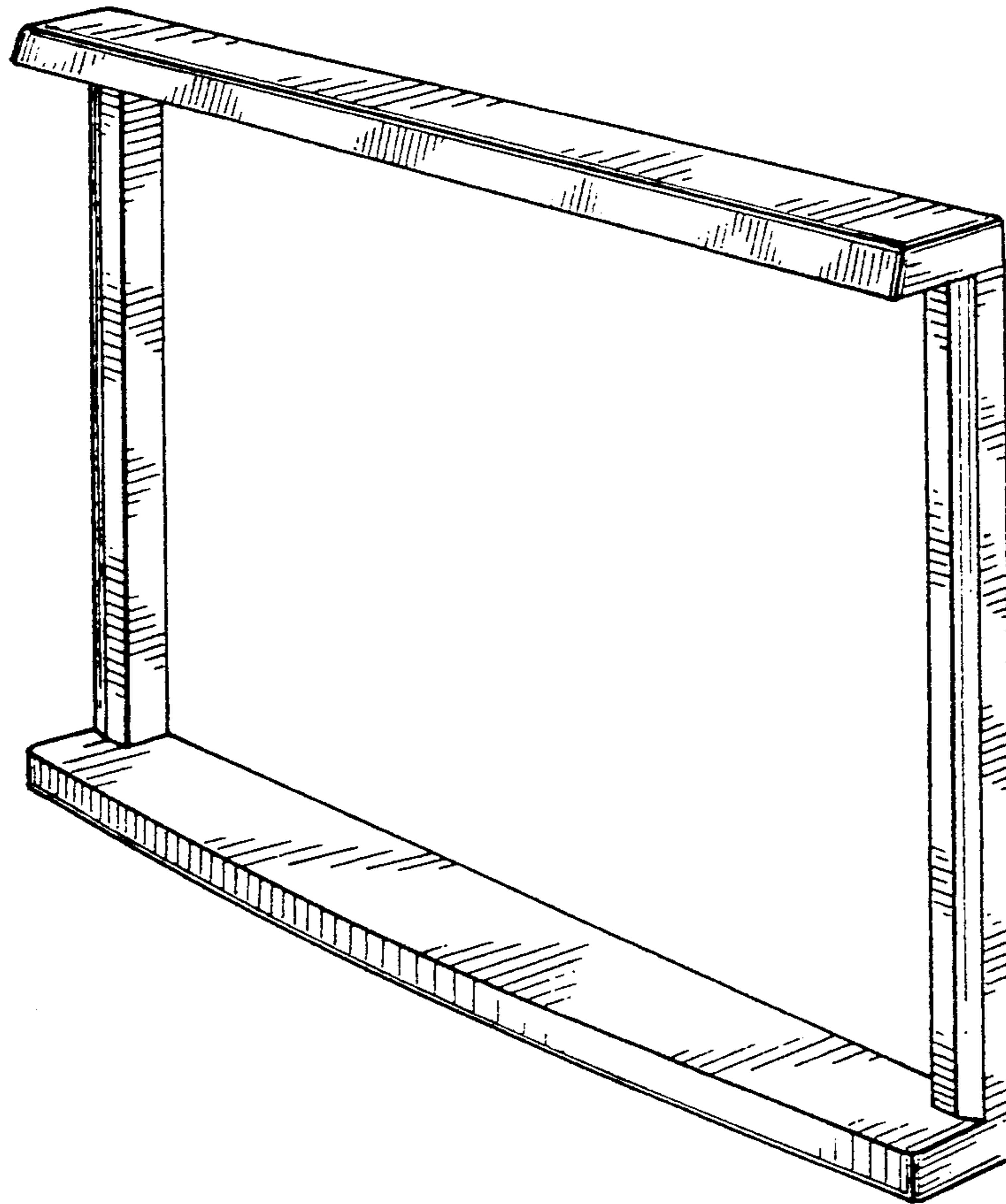
FIG. 6 is a rear elevational view thereof; and,

FIG. 7 is a side and top perspective view thereof.

[56] **References Cited**

U.S. PATENT DOCUMENTS

3,418,426	12/1968	Schlegel et al.	358/252	
4,354,205	10/1982	Lowe et al.	358/250	
4,712,870	12/1987	Robinson et al.	358/250	X



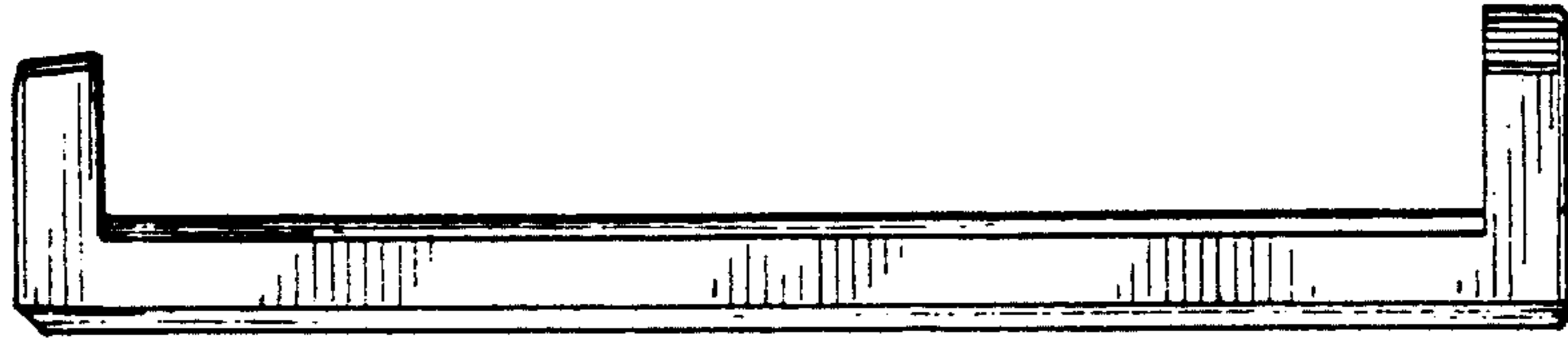


FIG. 2

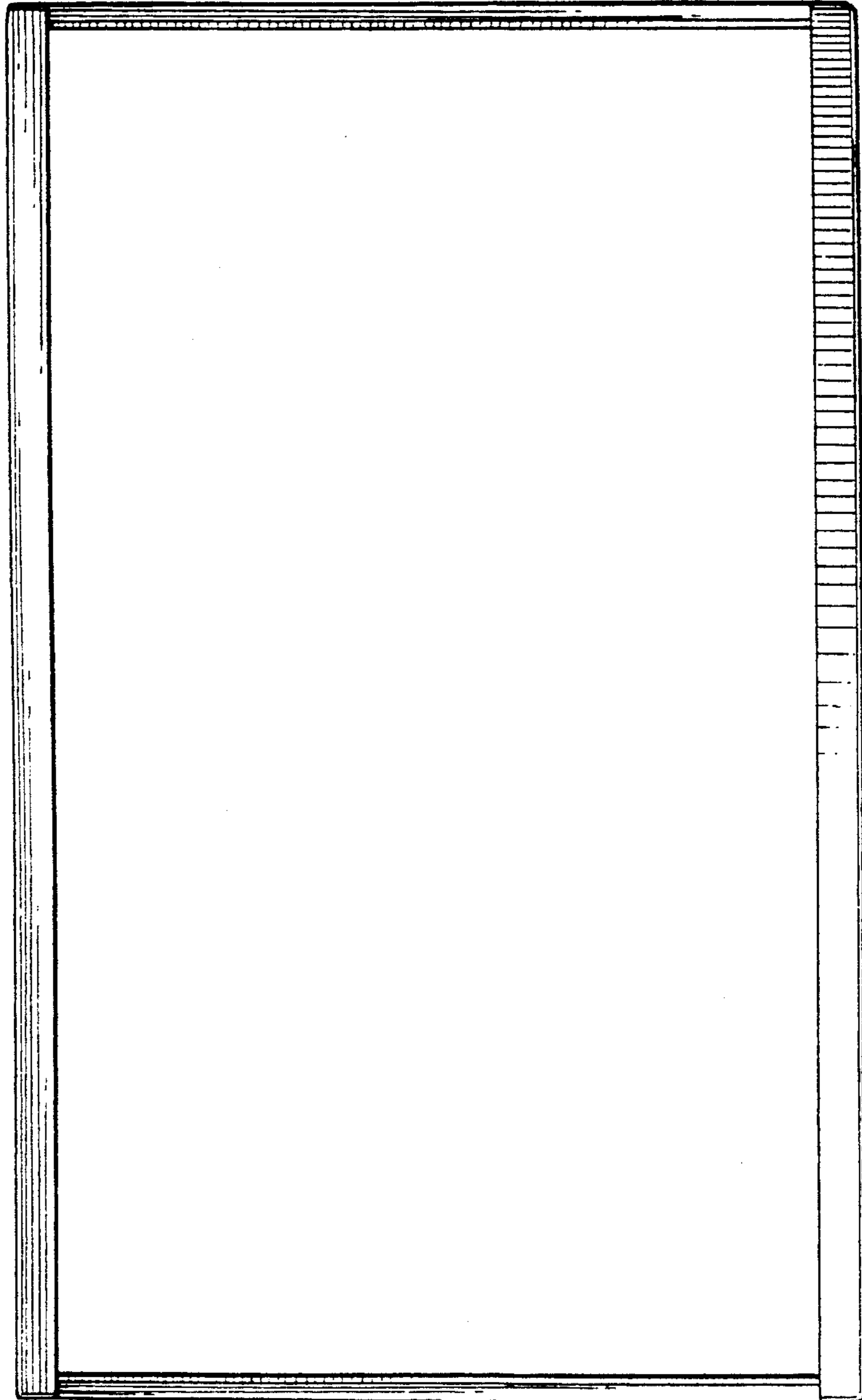


FIG. 1

FIG. 3

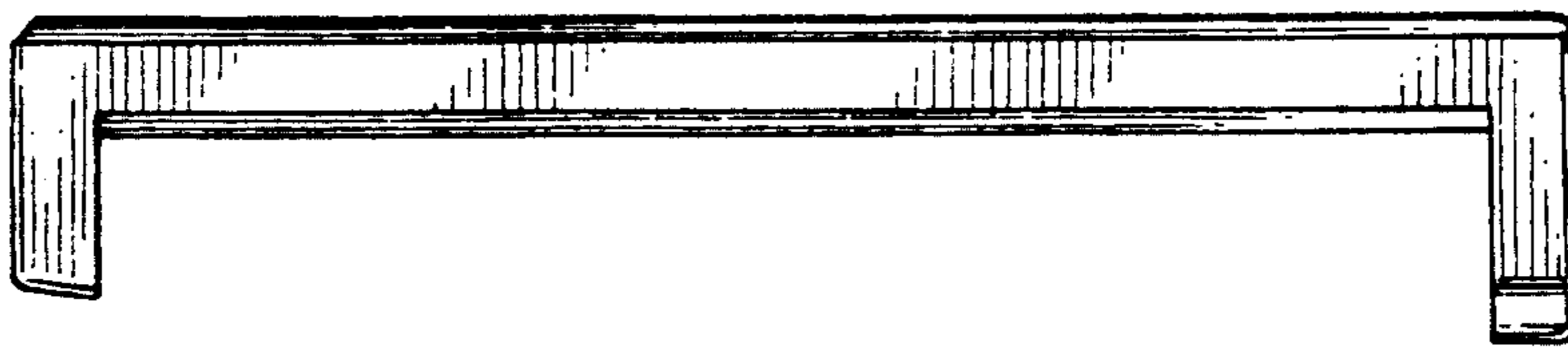


FIG. 4

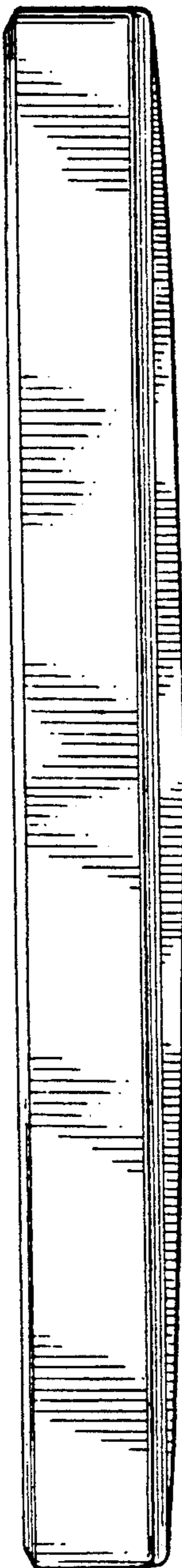


FIG. 5

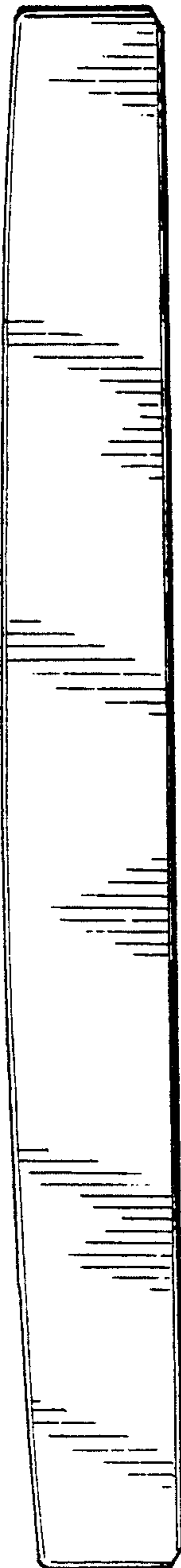
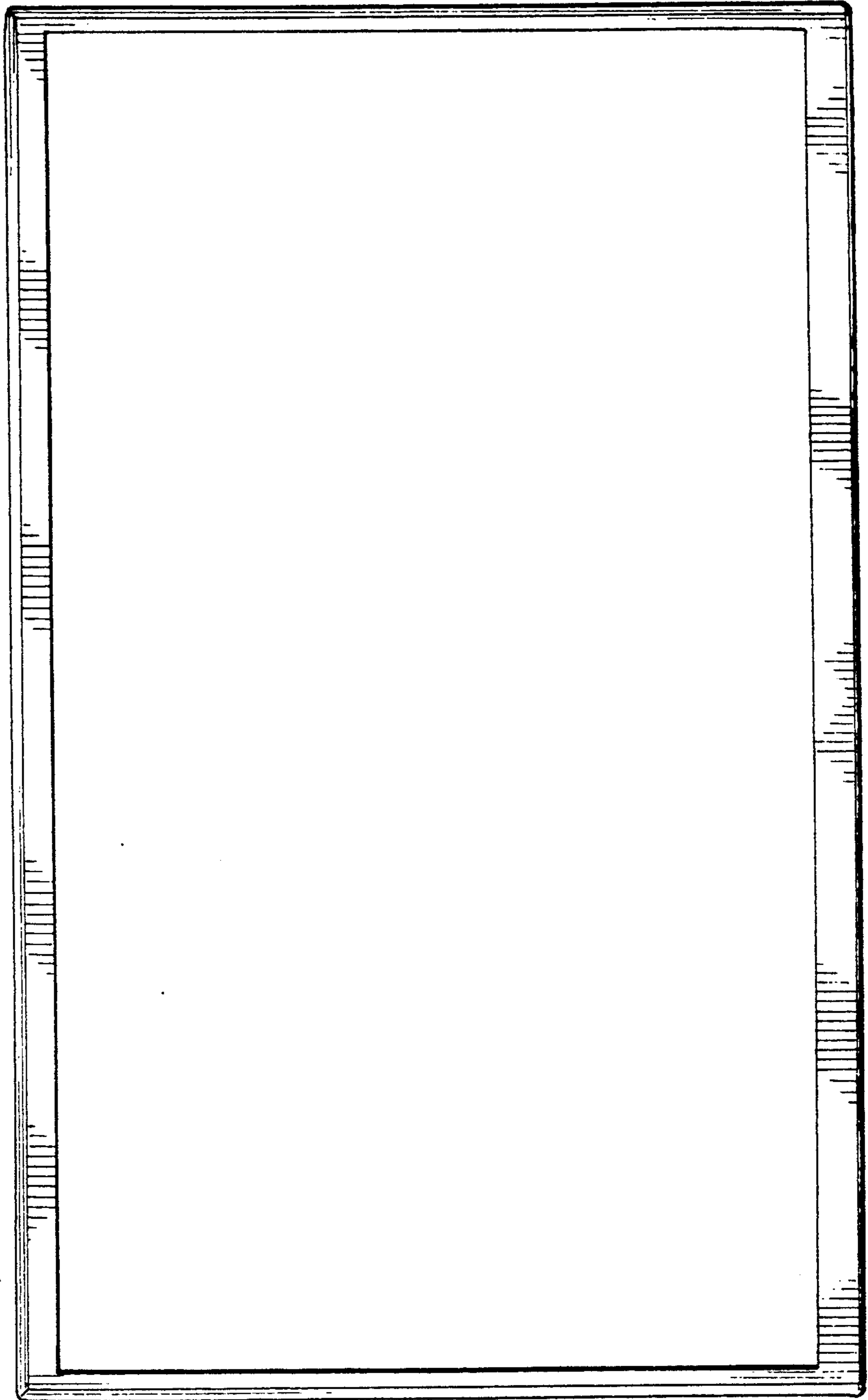


FIG. 6



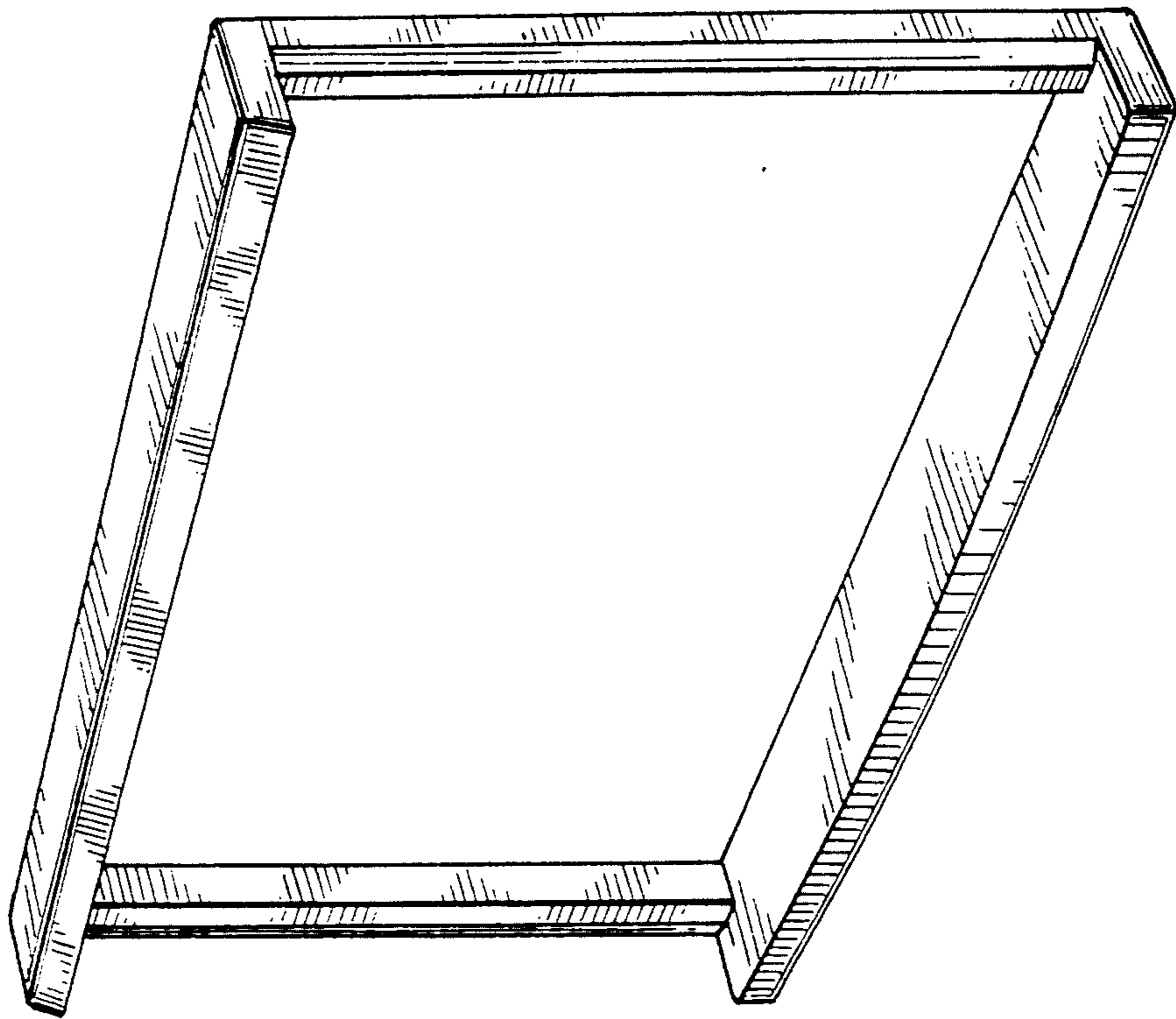


FIG. 7