



US00D348654S

United States Patent [19]

[11] Patent Number: **Des. 348,654**

Branck et al.

[45] Date of Patent: **** Jul. 12, 1994**

[54] **HAND HELD TERMINAL WITH INPUT KEYBOARD AND LCD DISPLAY TOUCH SCREEN**

D. 315,347 3/1991 Walker D14/100 X
D. 325,574 4/1992 Carver D14/100 X
5,189,632 2/1993 Paajanen et al. D14/100 X

[75] Inventors: **James D. Branck; Brian D. Johnson,**
both of New Hartford, N.Y.

Primary Examiner—Wallace R. Burke
Assistant Examiner—Freda S. Nunn
Attorney, Agent, or Firm—Charles S. McGuire

[73] Assignee: **PAR Technology Corporation,** New Hartford, N.Y.

[57] **CLAIM**

[**] Term: **14 Years**

The ornamental design for hand held terminal with input keyboard and LCD display touch screen, as shown and described.

[21] Appl. No.: **948,775**

DESCRIPTION

[22] Filed: **Sep. 14, 1992**

[52] U.S. Cl. **D14/100**

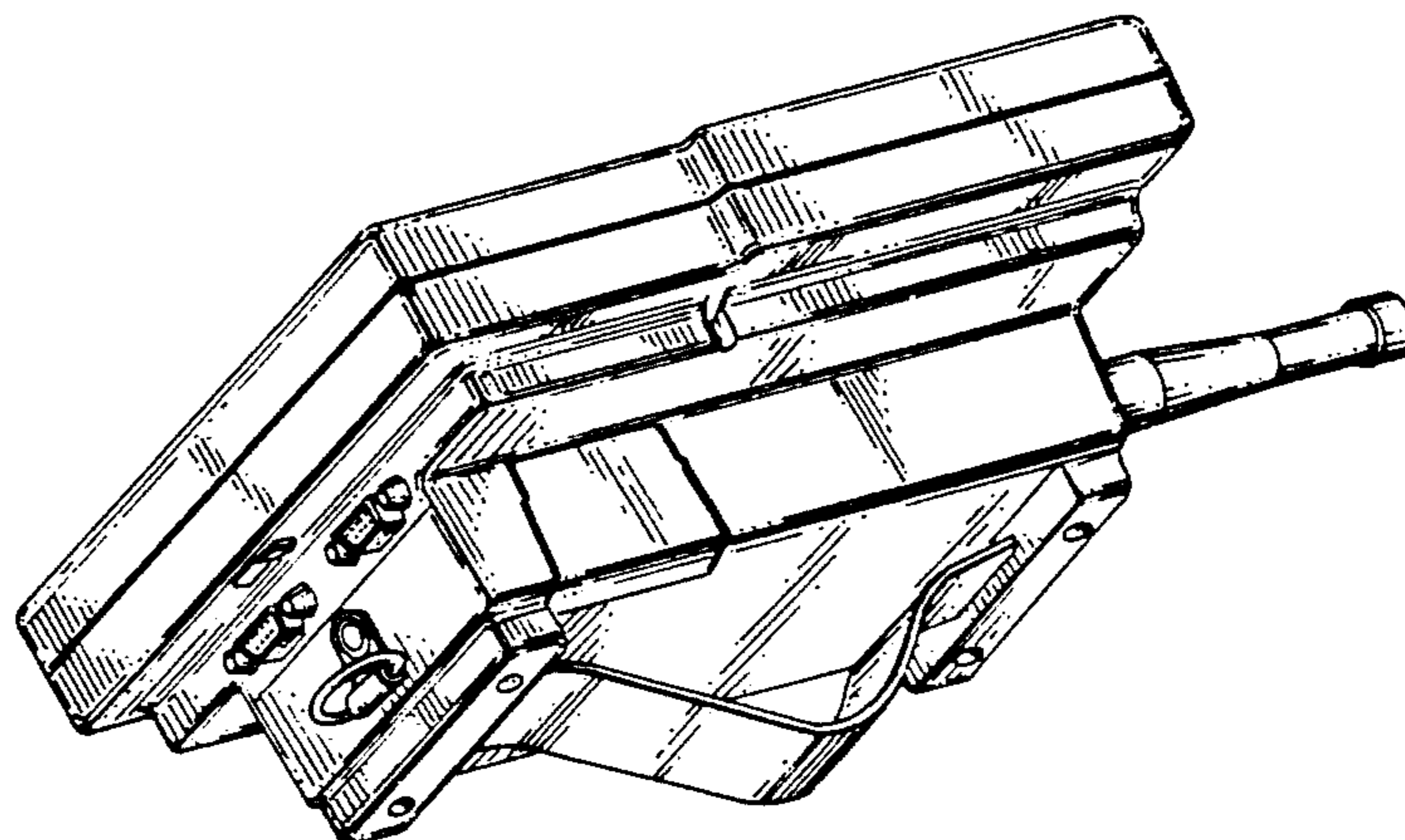
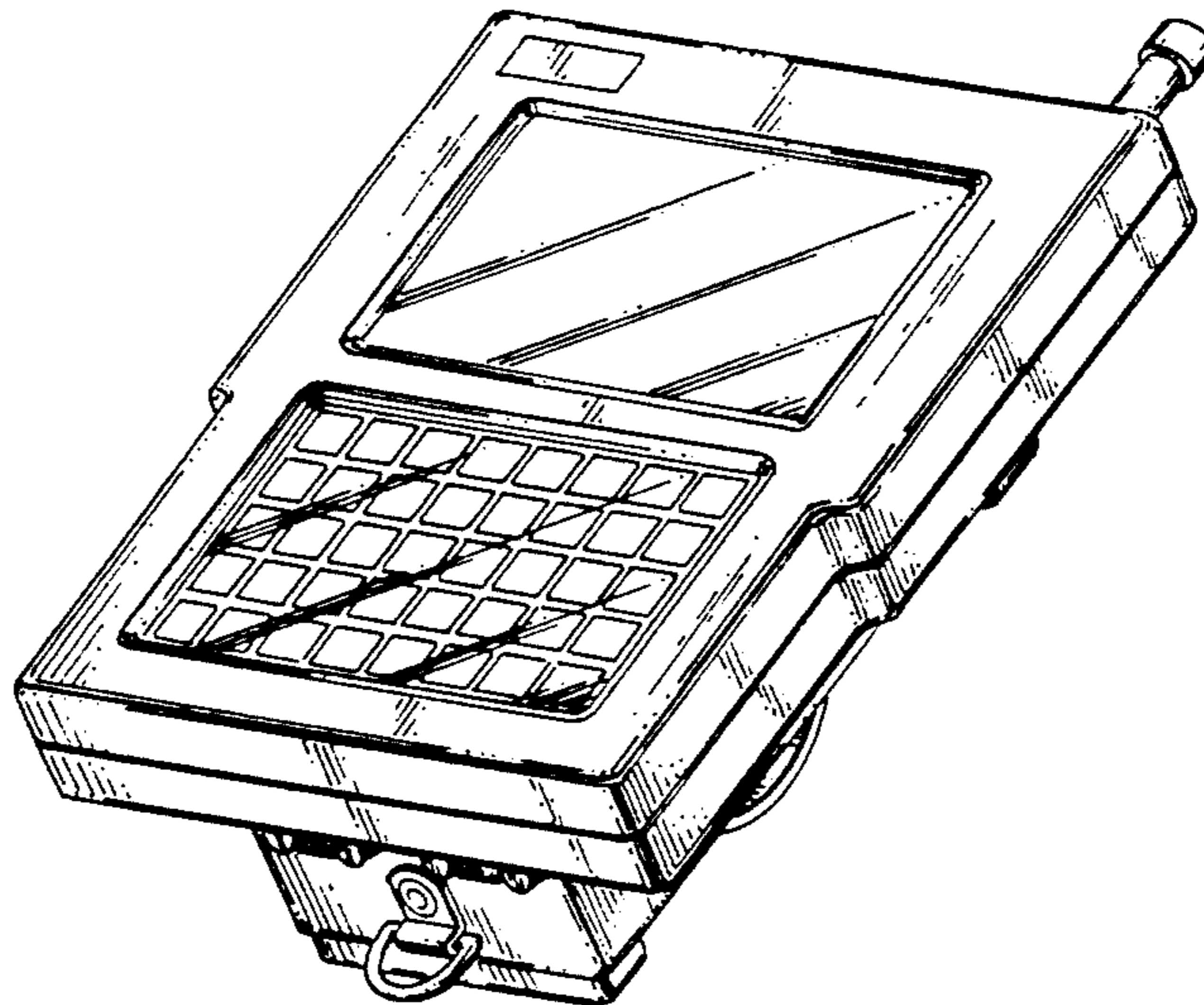
[58] Field of Search 345/156, 168, 172, 173;
364/708, 709.04; D14/100, 105, 106, 107, 113,
115, 137; D18/7

FIG. 1 is a top bottom end and right side perspective view of a hand held terminal with input keyboard and LCD display touch screen showing our new design; FIG. 2 is a perspective view thereof; FIG. 3 is a top plan view thereof on a slightly enlarged scale; FIG. 4 is a bottom end elevational view thereof; FIG. 5 is a rear elevational view thereof; FIG. 6 is a top end elevational view thereof; and, FIG. 7 is a right side elevational view thereof the left side elevational view is identical in appearance.

[56] **References Cited**

U.S. PATENT DOCUMENTS

D. 283,711 5/1986 Deura et al. D14/100
D. 292,401 10/1987 Lee et al. D14/100 X
D. 309,729 8/1990 Tanabe D14/100



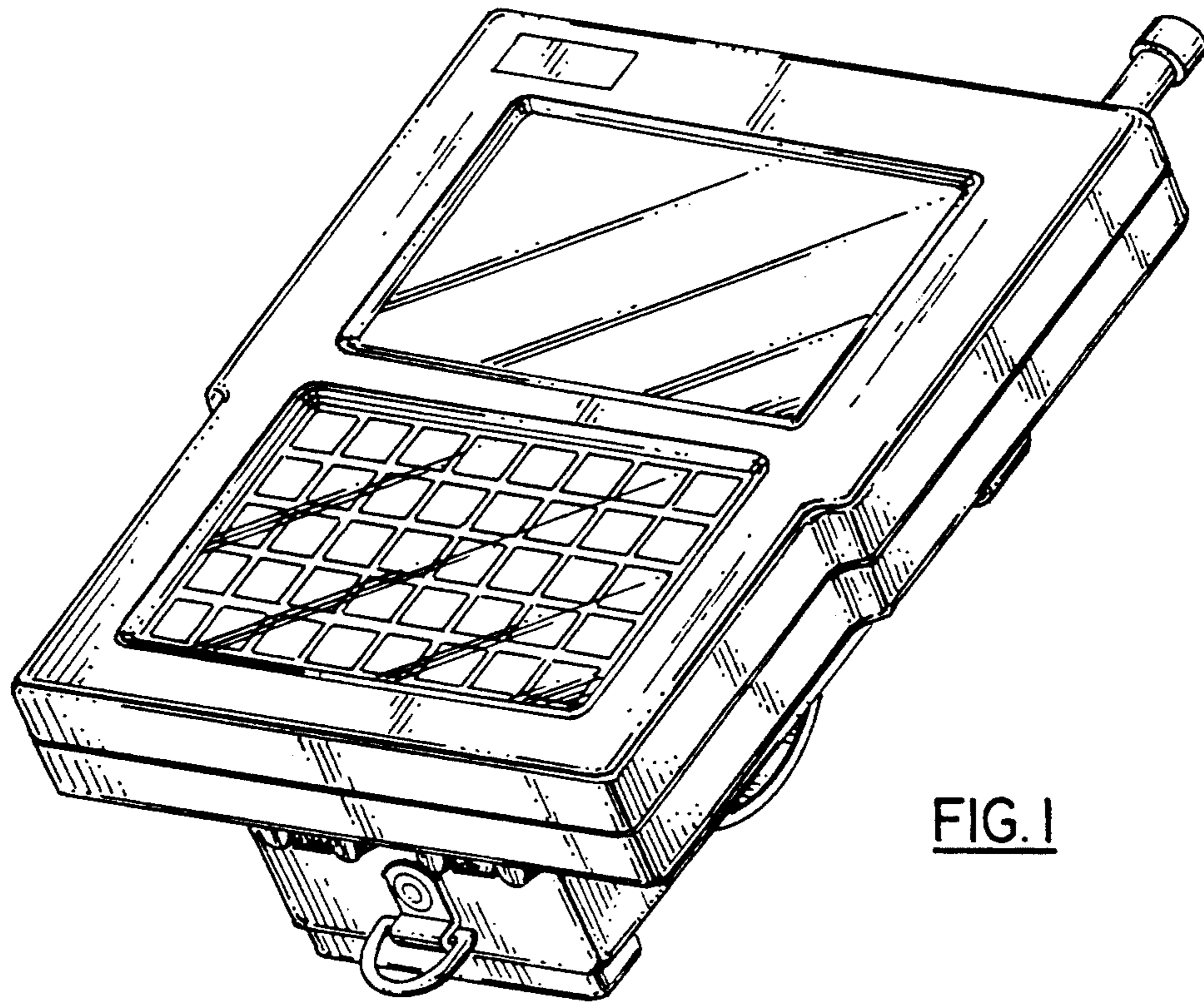


FIG. 1

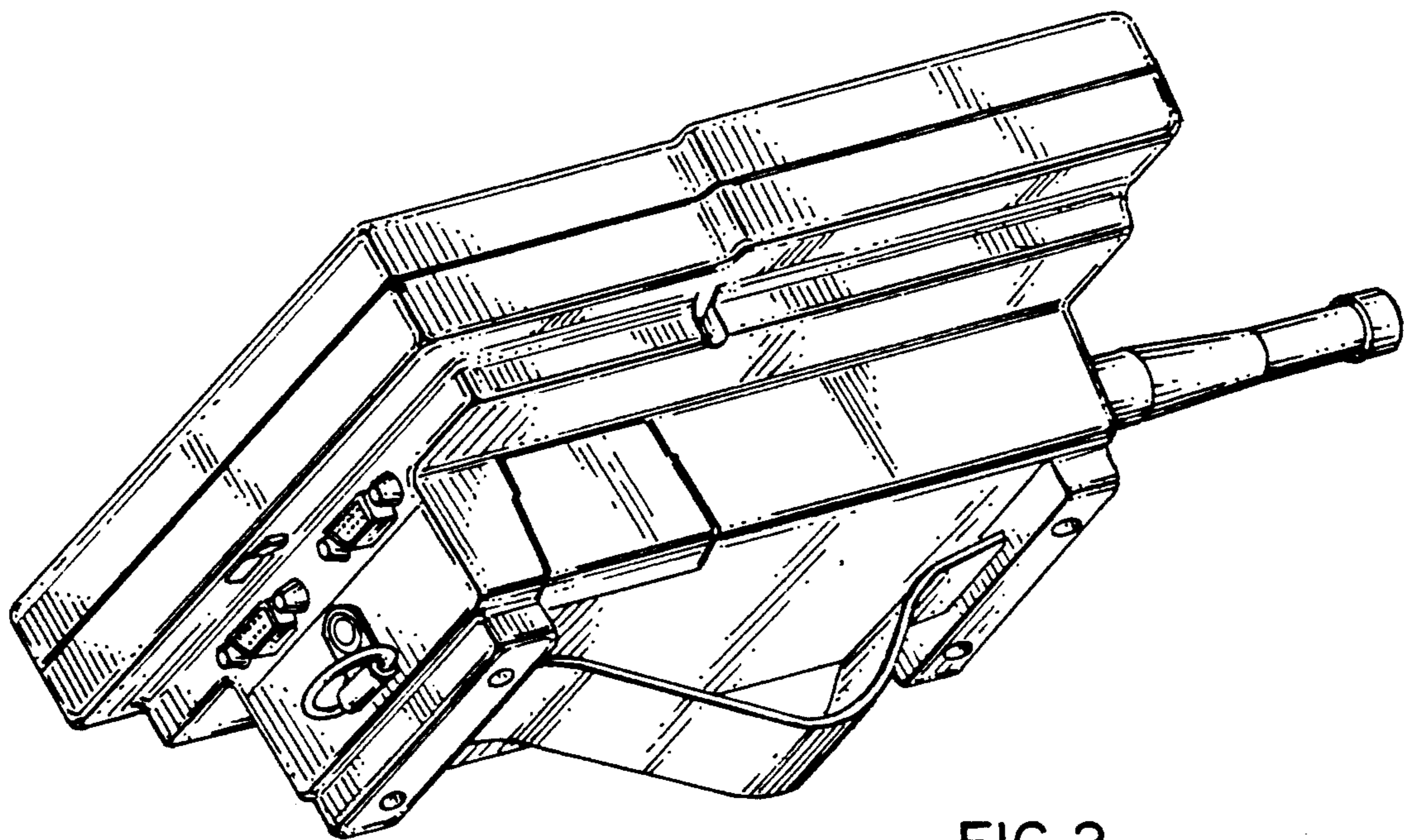


FIG. 2

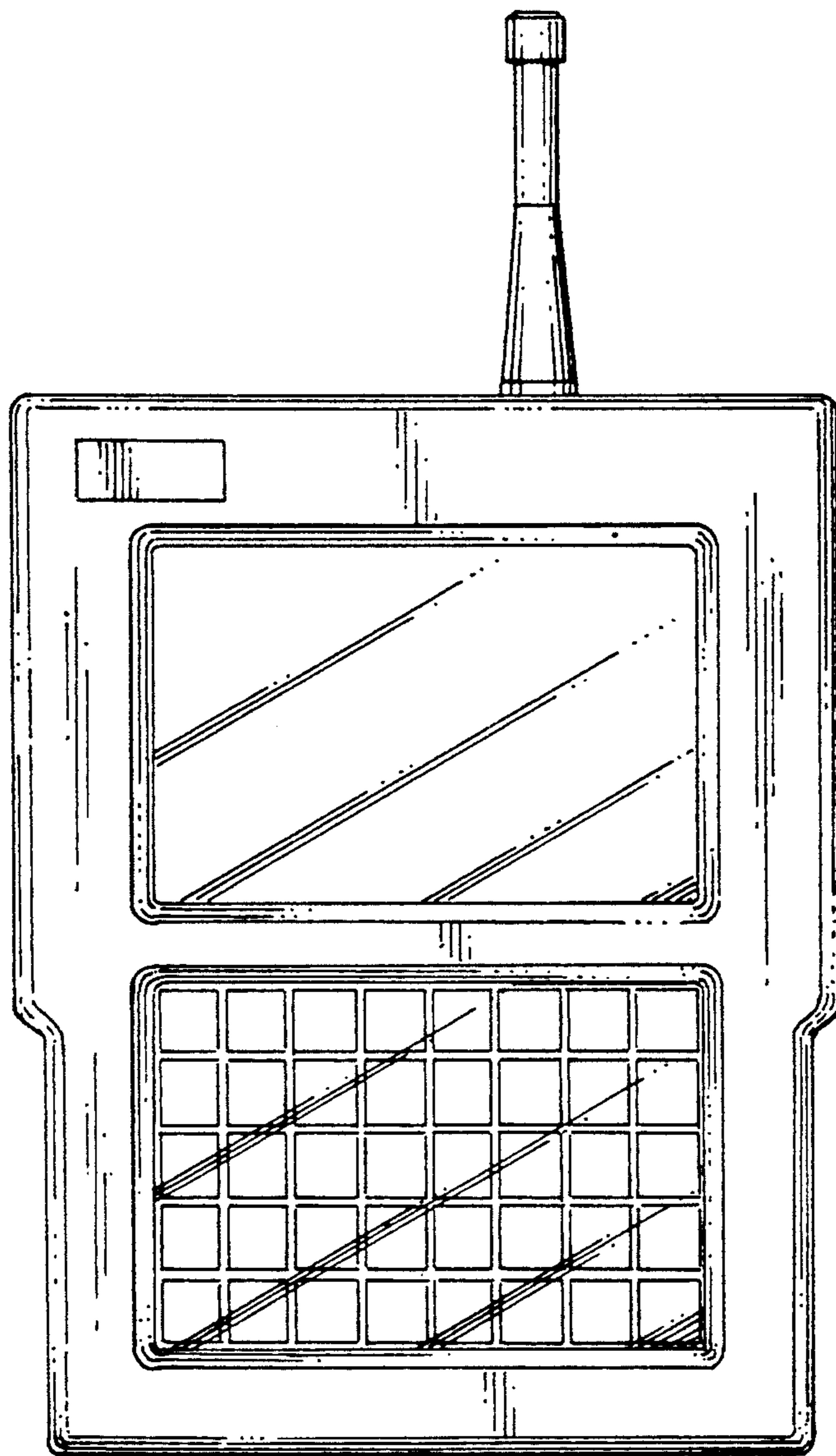


FIG. 3

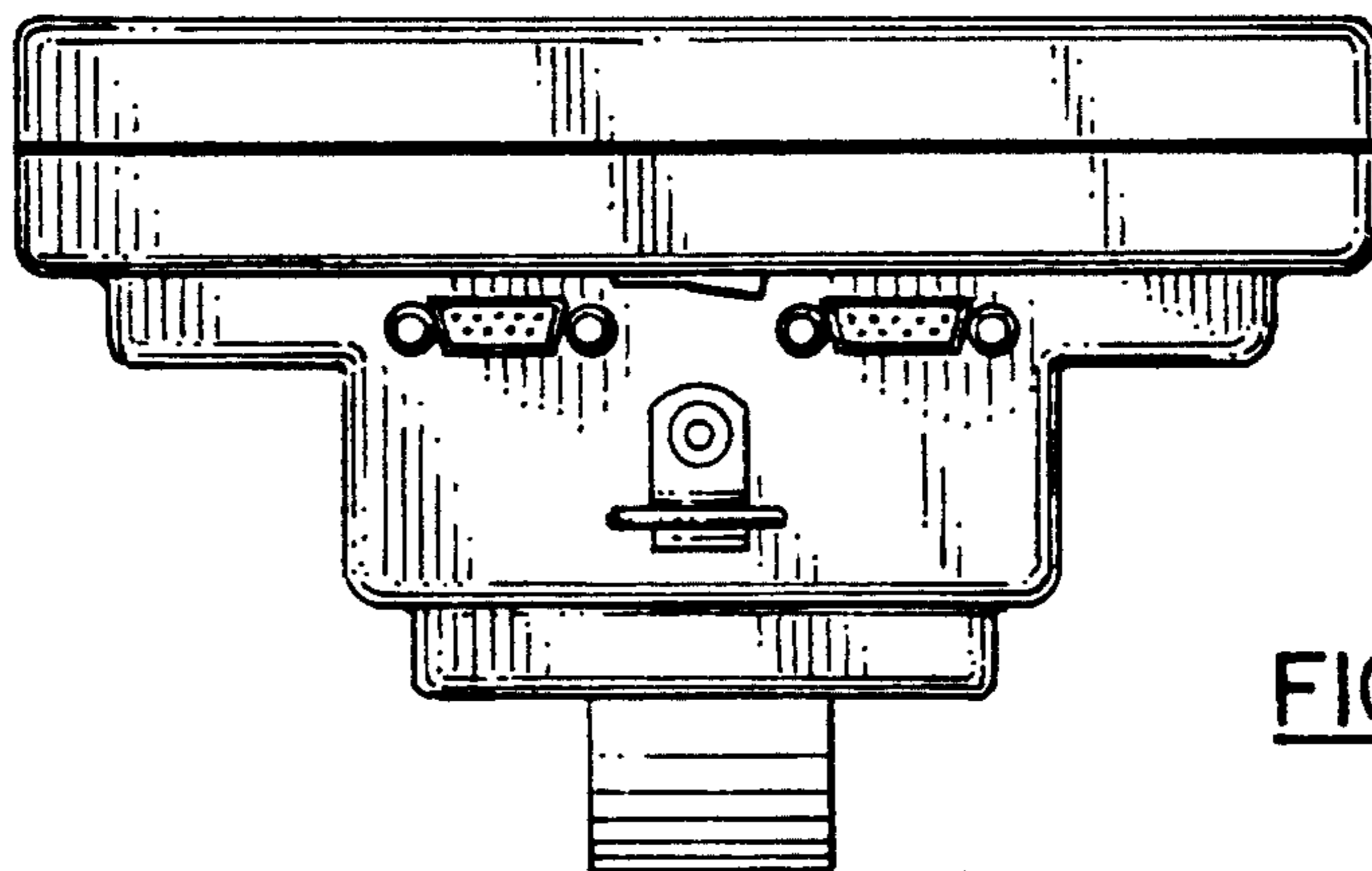


FIG. 4

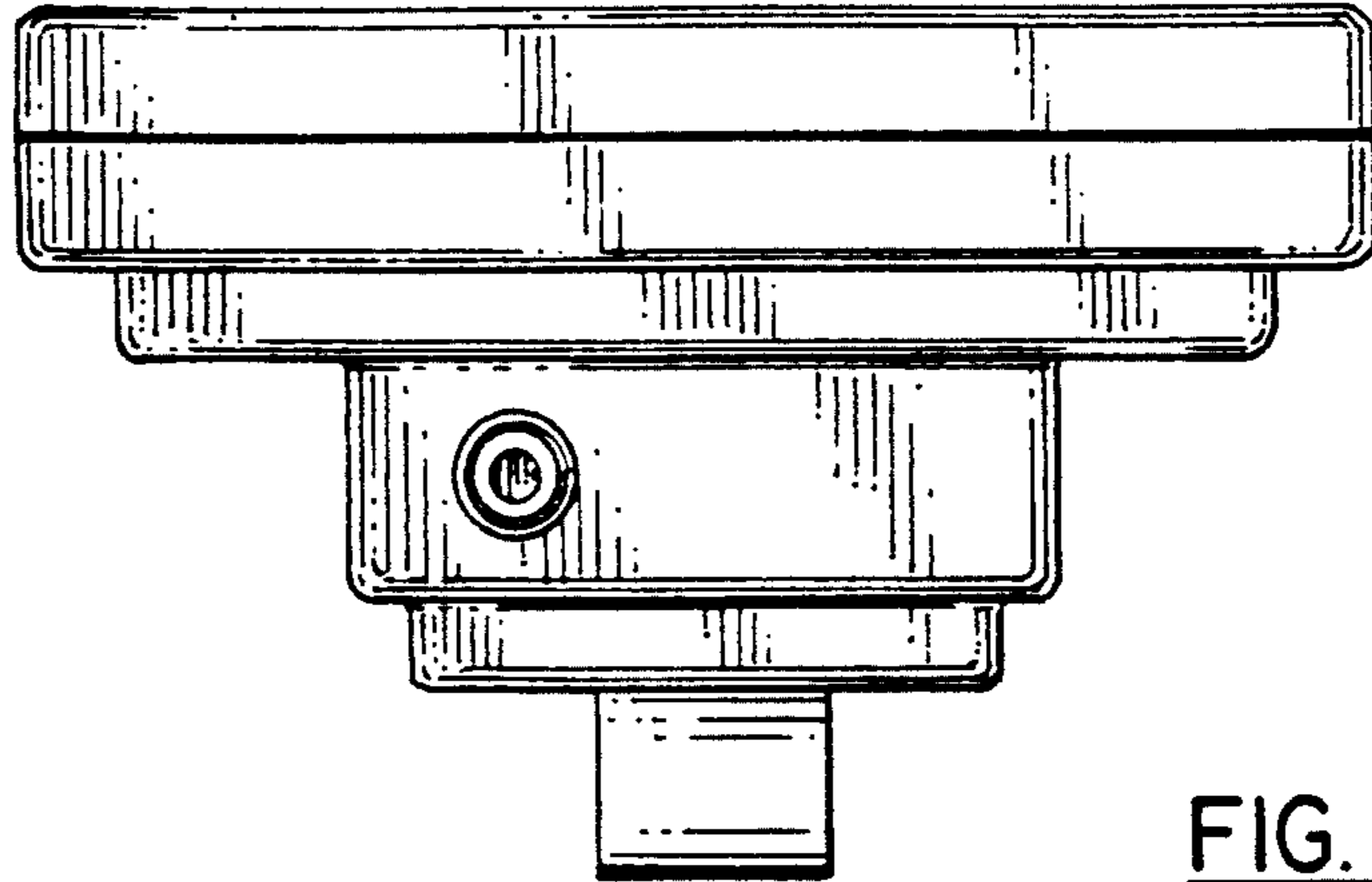


FIG. 6

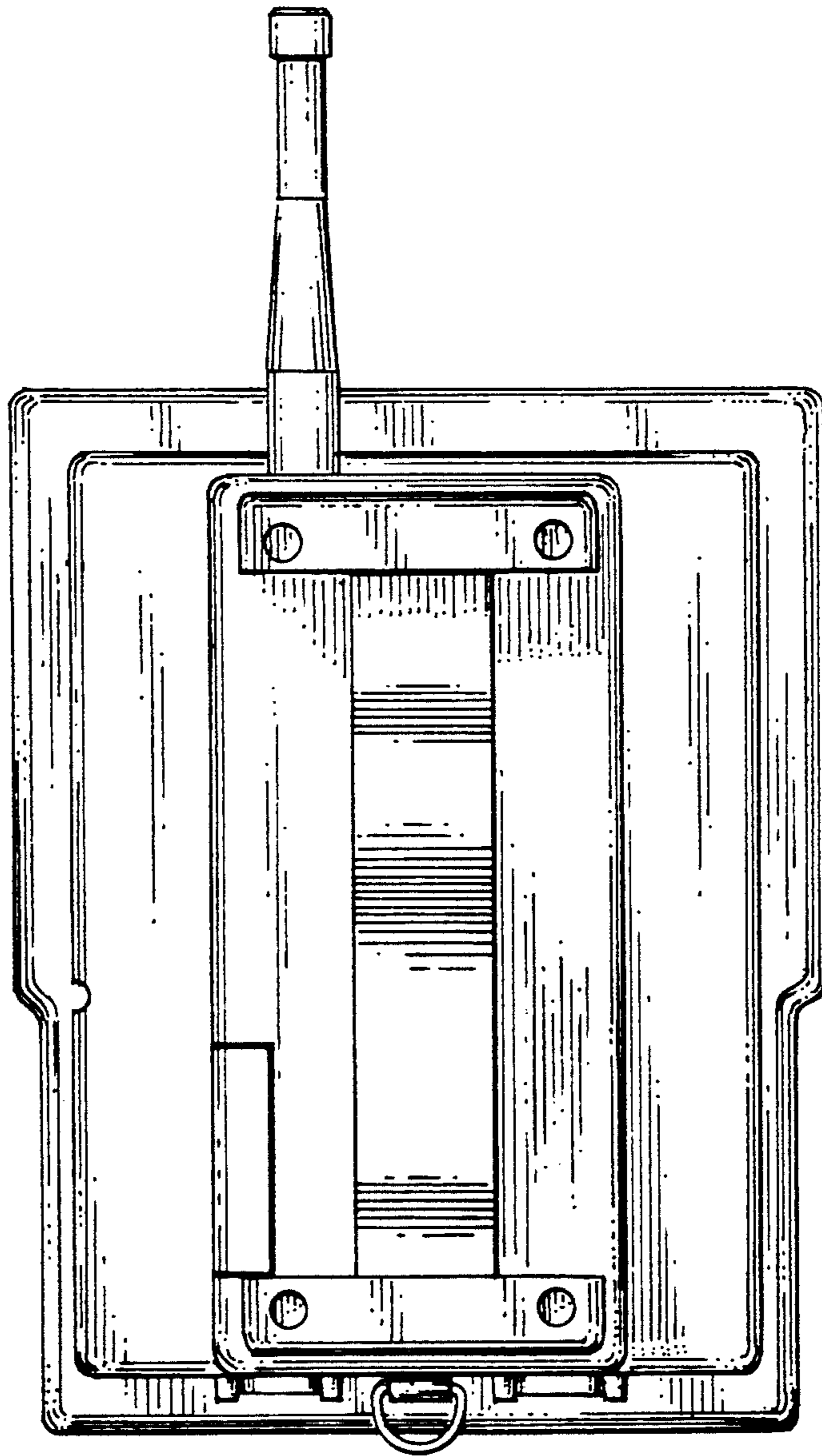


FIG. 5

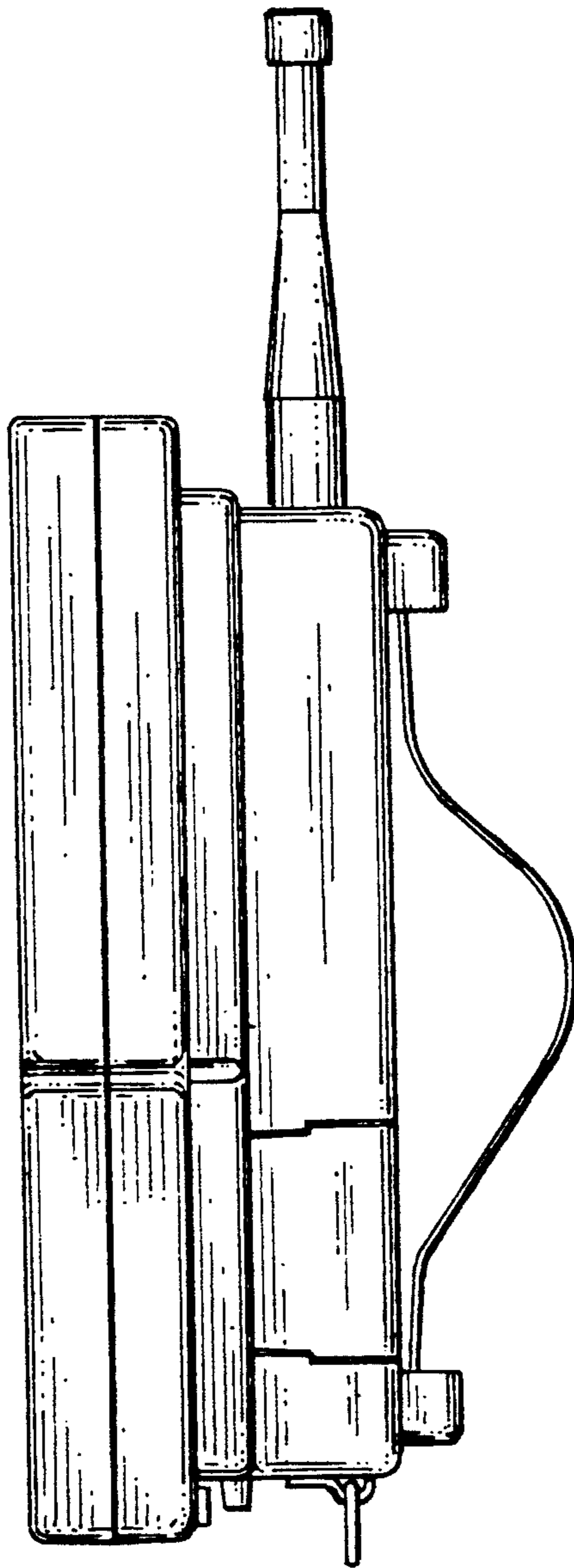


FIG. 7