



US00D348650S

**United States Patent** [19]  
**Julian**

[11] **Patent Number: Des. 348,650**  
[45] **Date of Patent: \*\* Jul. 12, 1994**

[54] **ELECTRIC TERMINAL CONNECTOR**

[75] **Inventor: Kenneth A. Julian, Oak Brook, Ill.**

[73] **Assignee: Julian Electric, Inc., Westmont, Ill.**

[\*\*] **Term: 14 Years**

[21] **Appl. No.: 907,456**

[22] **Filed: Jul. 2, 1992**

[52] **U.S. Cl. .... D13/133; D13/156**

[58] **Field of Search ..... 439/135, 391, 519, 737,  
439/738, 750, 801; D13/133, 149, 156**

[56] **References Cited**

**U.S. PATENT DOCUMENTS**

D. 316,399	4/1991	Wharton	.....	D13/133
4,473,264	9/1984	Julian et al.	.....	439/135
4,570,338	2/1986	Ignatowicz	.....	D13/149 X
4,707,043	11/1987	Reed	.....	439/135 X

**FOREIGN PATENT DOCUMENTS**

2010027 6/1979 United Kingdom ..... 439/135

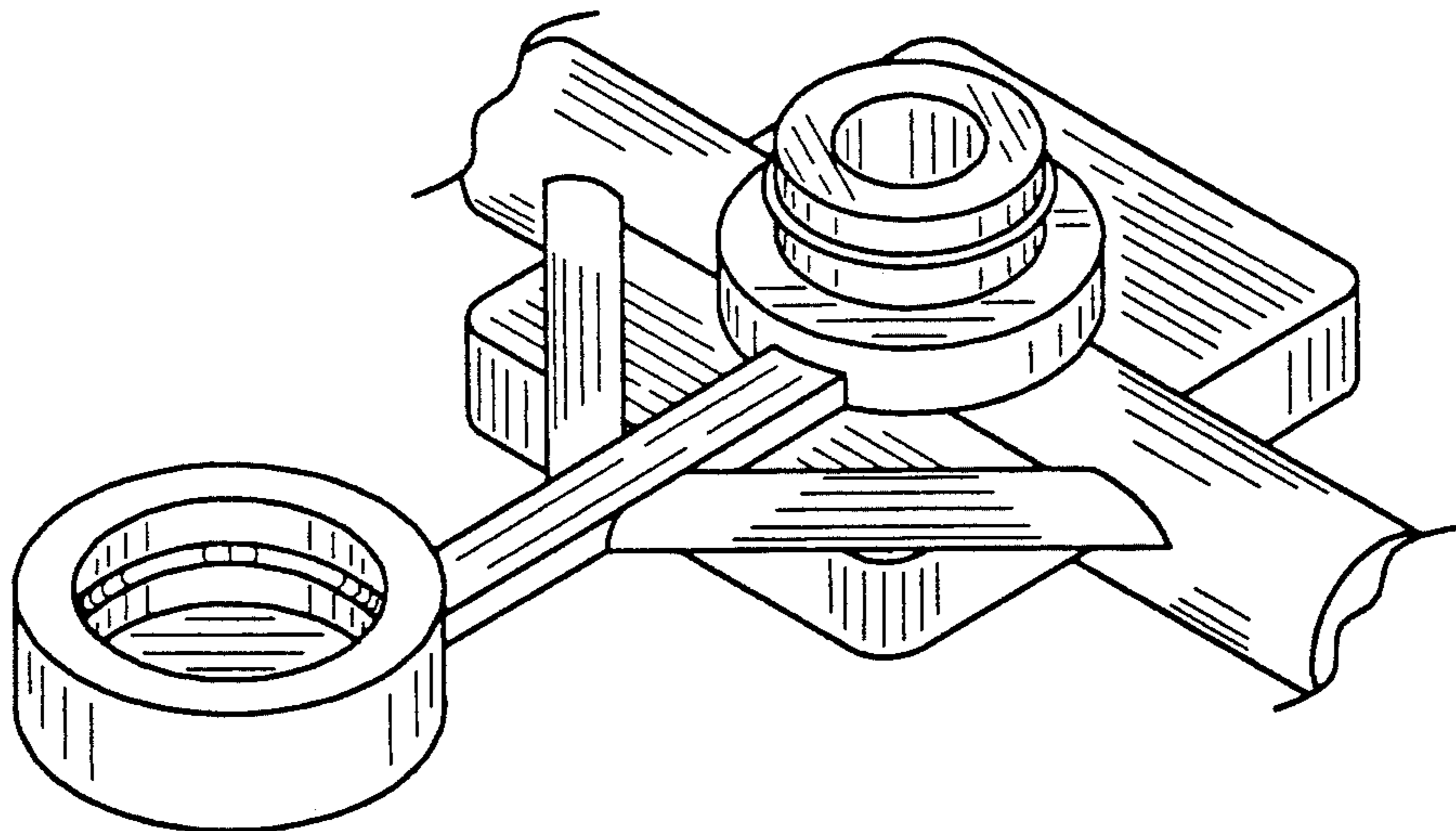
*Primary Examiner*—Wallace R. Burke  
*Assistant Examiner*—Joel Sincavage  
*Attorney, Agent, or Firm*—Patnaude, Videbeck & Marsh

[57] **CLAIM**

The ornamental design for an electric terminal connector, as shown and described.

**DESCRIPTION**

FIG. 1 is a bottom plan view of an electric terminal connector showing our new design;  
FIG. 2 is a rear inverted view thereof;  
FIG. 3 is a top plan view thereof;  
FIG. 4 is a front plan view thereof;  
FIG. 5 is a left side elevational view thereof;  
FIG. 6 is a right side elevational view thereof;  
FIG. 7 is a rear and lower perspective view thereof;  
and,  
FIG. 8 is front and upper perspective view thereof.



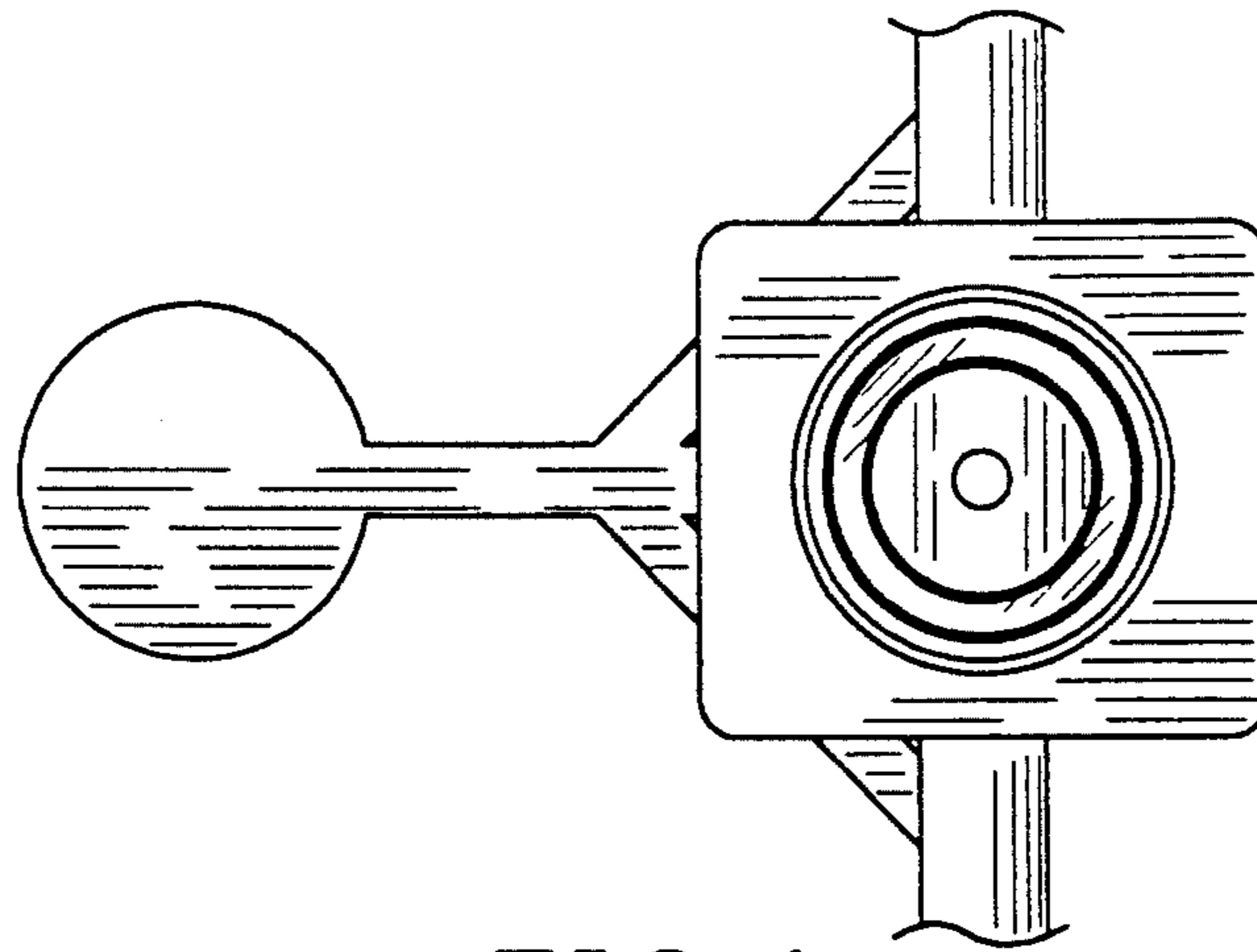


FIG. 1

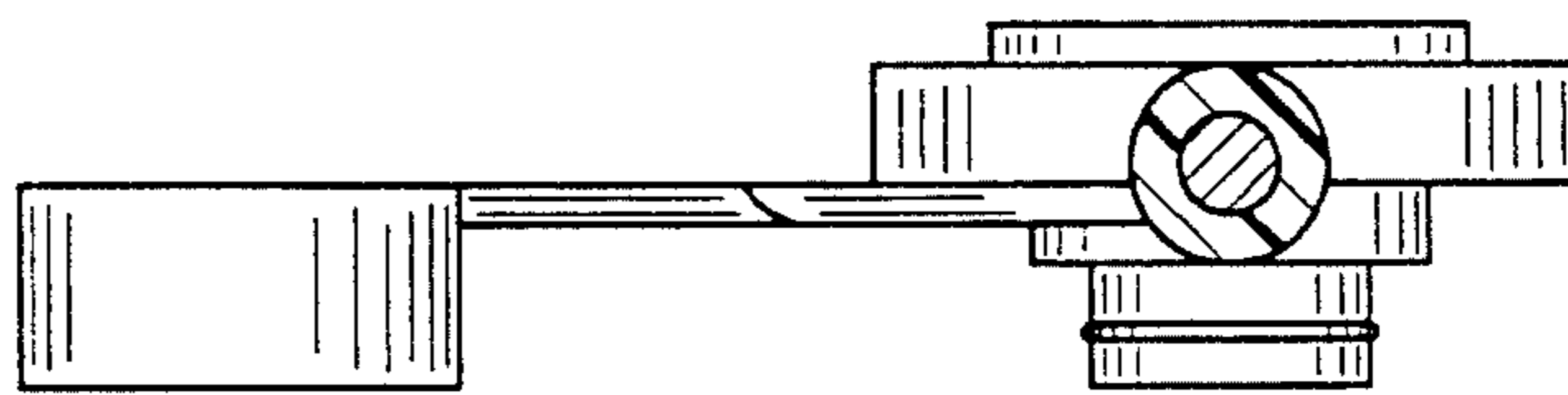


FIG. 2

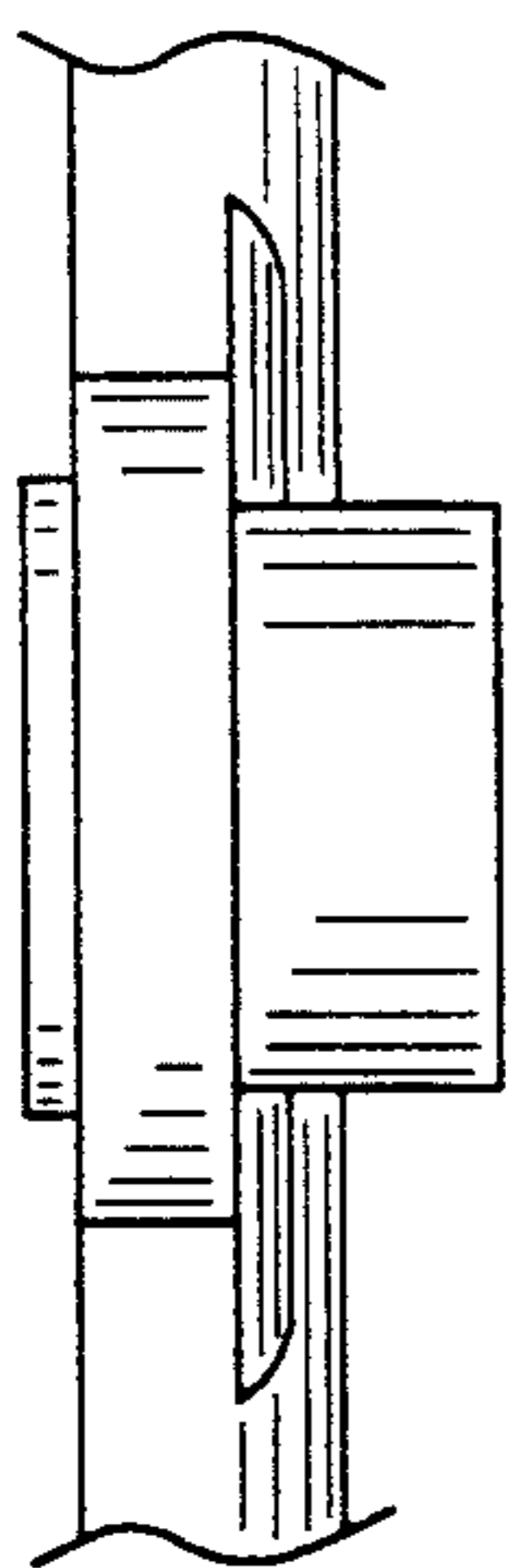


FIG. 5

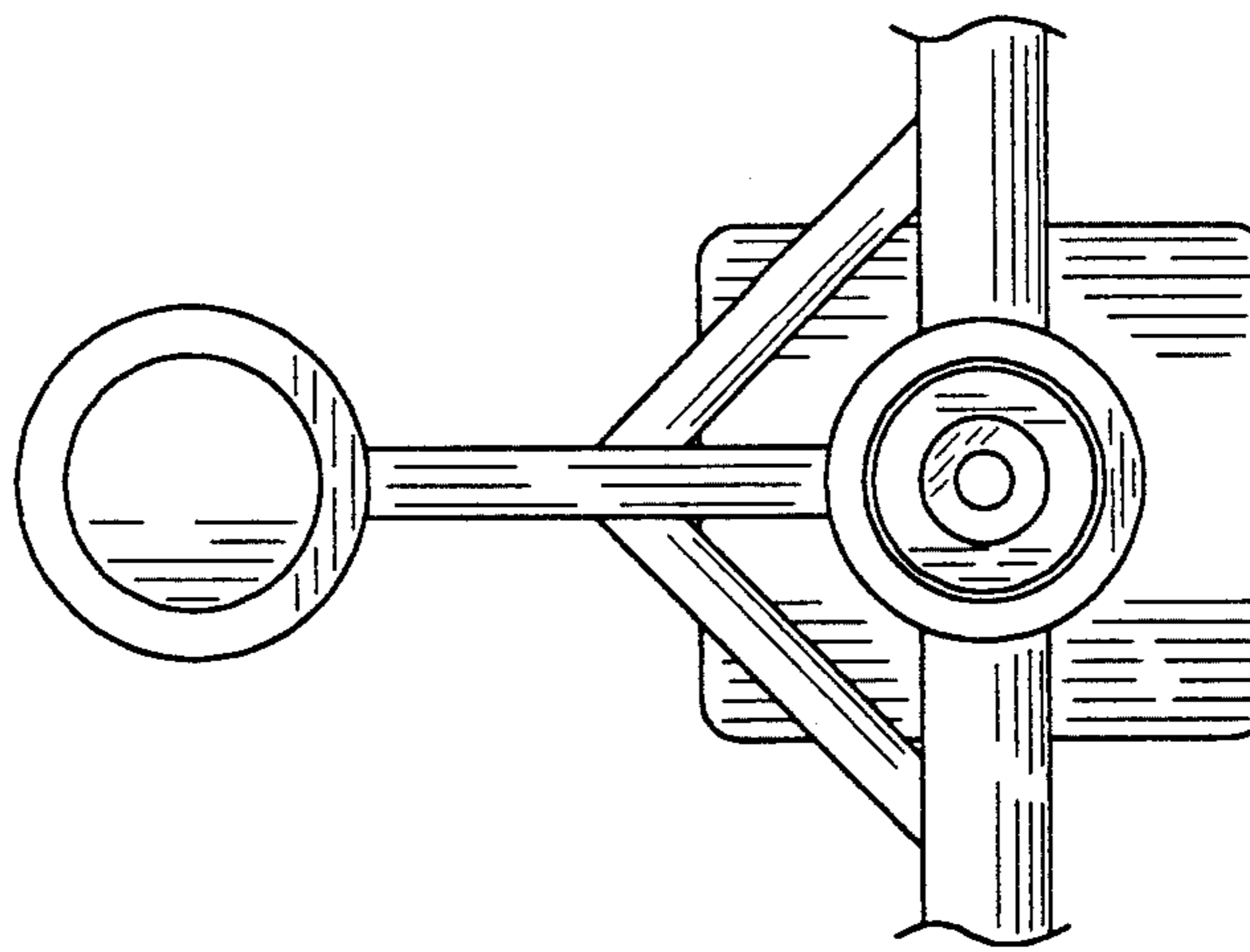


FIG. 3

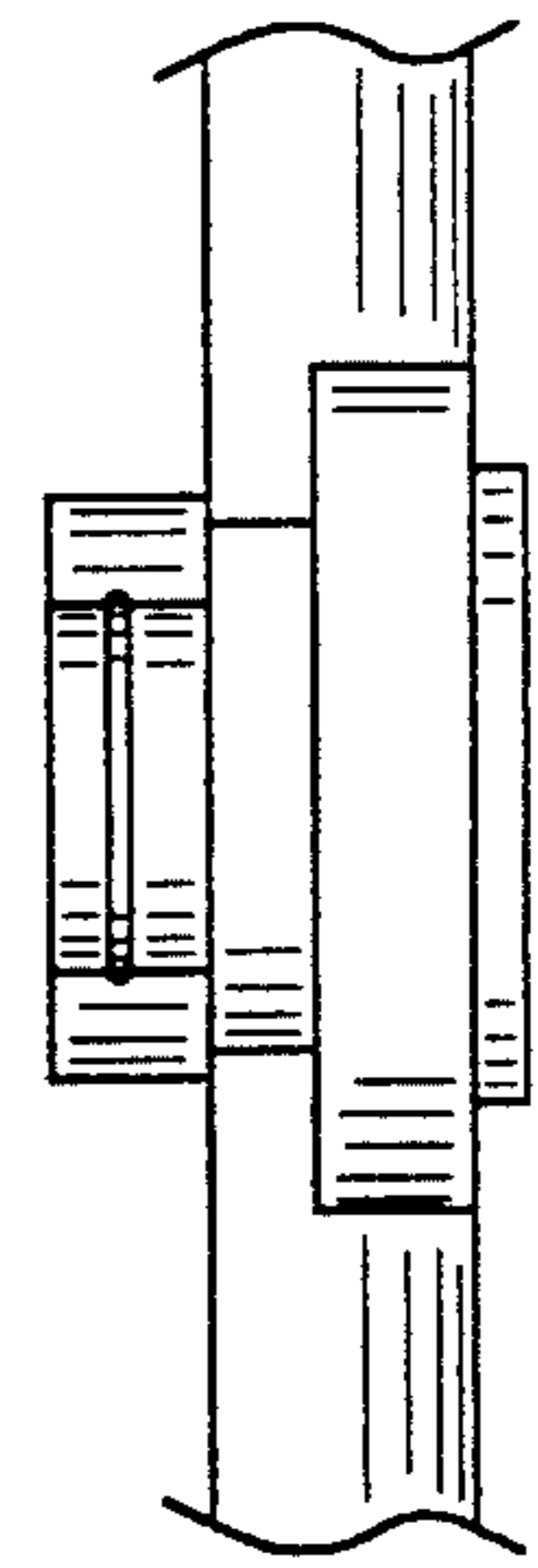


FIG. 6

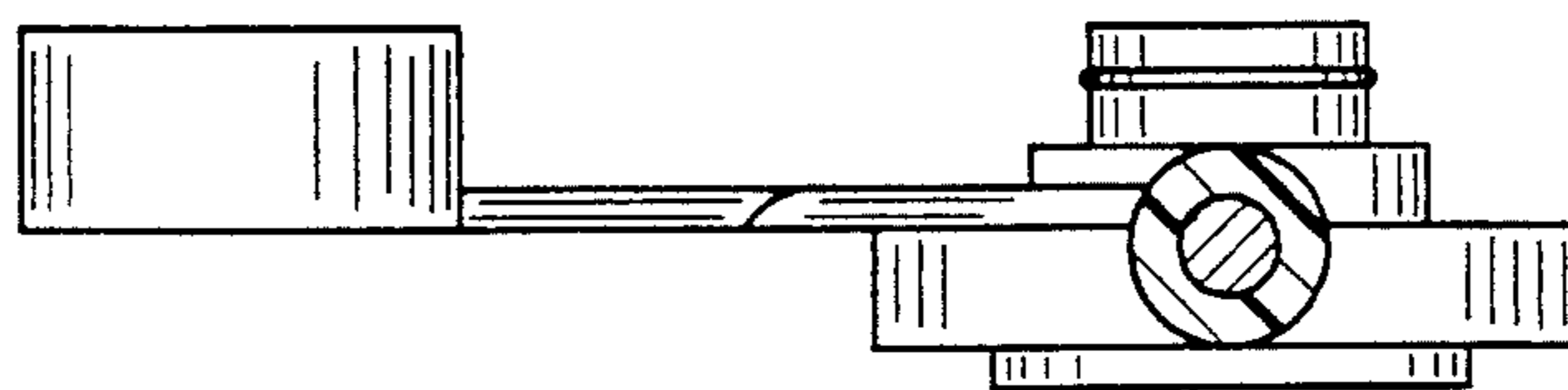


FIG. 4

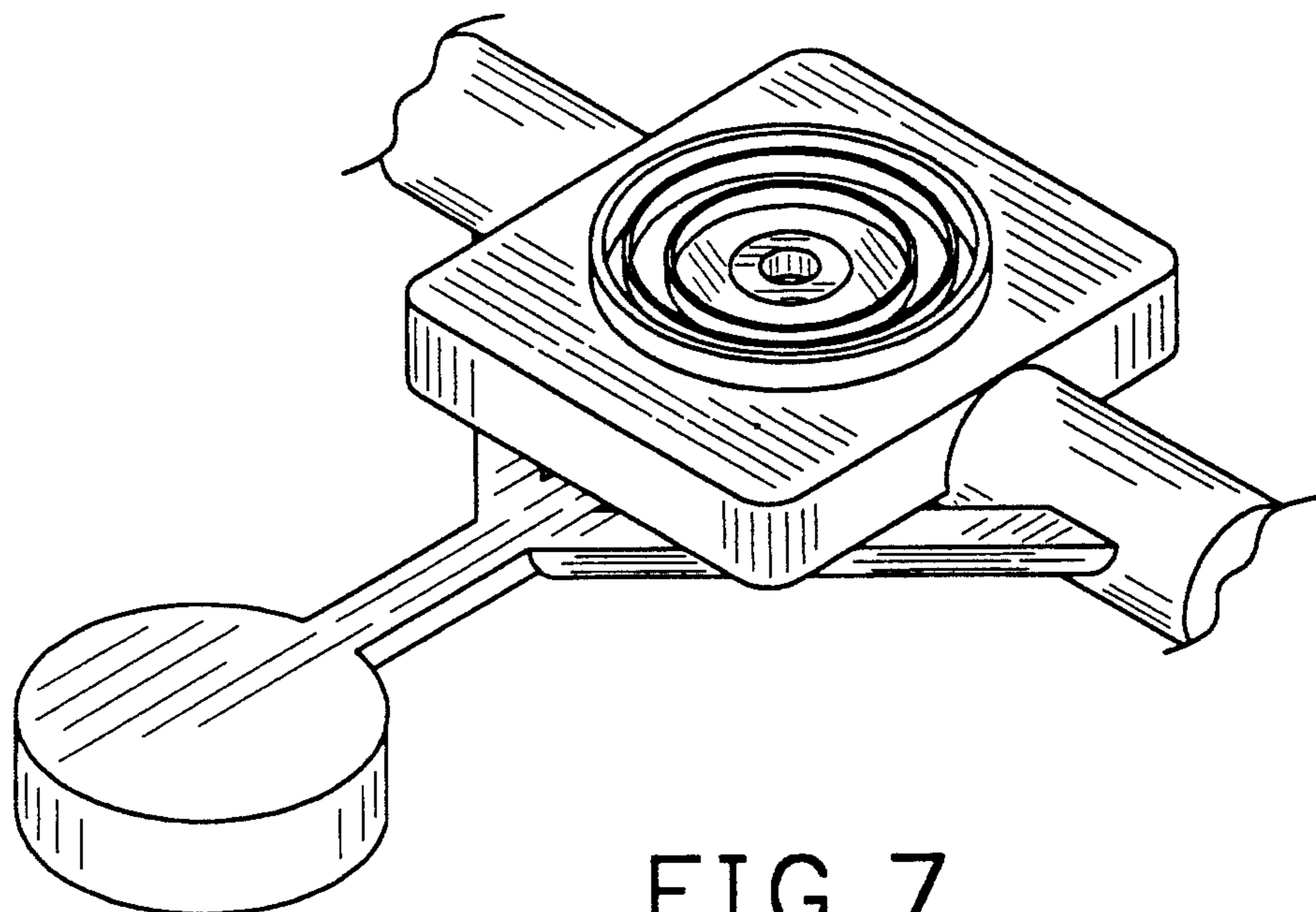


FIG. 7

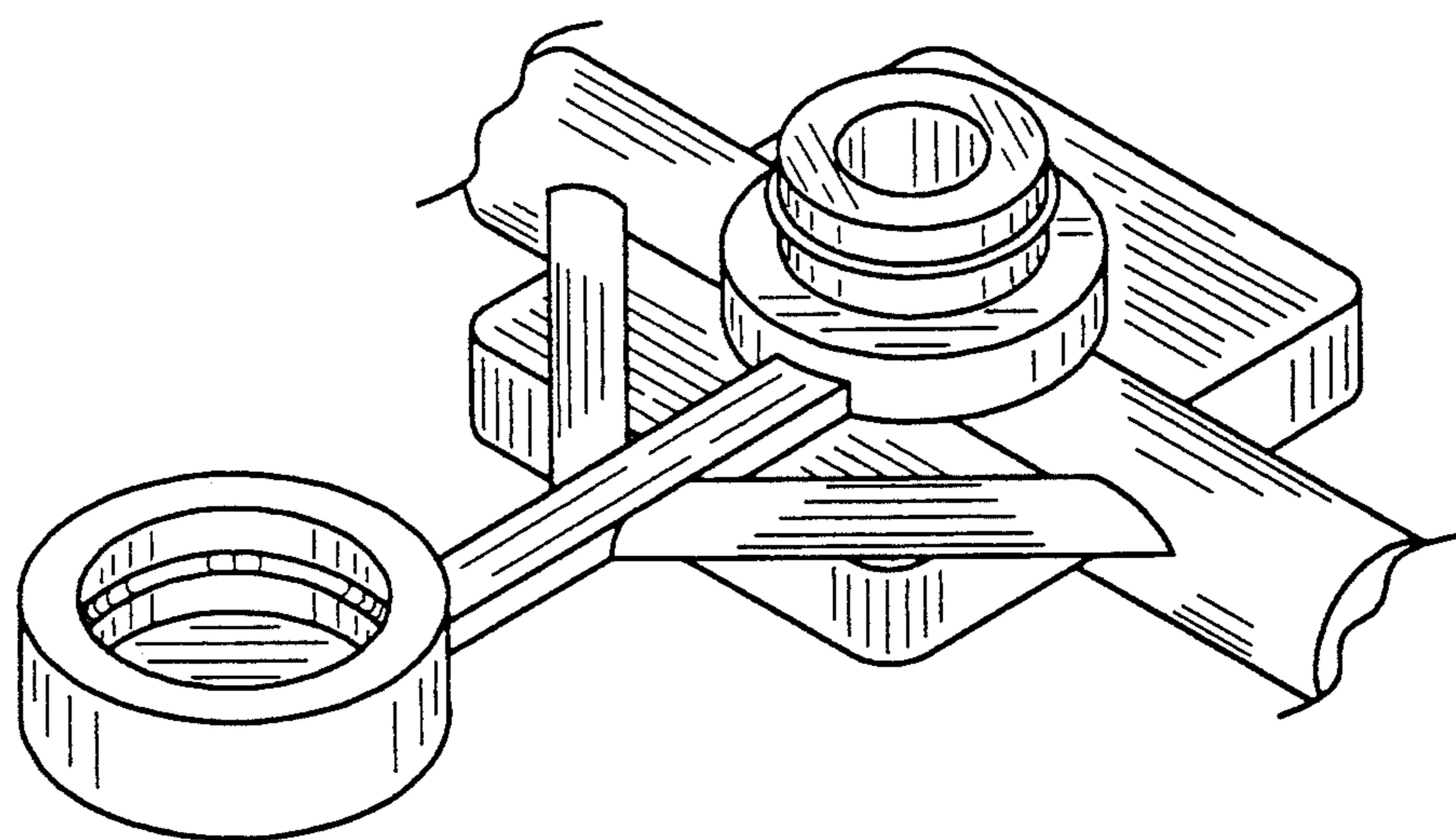


FIG. 8