



US00D348649S

United States Patent [19]

Richards et al.

[11] Patent Number: **Des. 348,649**

[45] Date of Patent: **** Jul. 12, 1994**

[54] **EXTERIOR SURFACE OF THE UPPER HOUSING FOR A BATTERY CHARGER FOR A PORTABLE RADIO**

[75] Inventors: **Scott H. Richards, Plantation; Bruce A. Claxton, Coral Springs, both of Fla.**

[73] Assignee: **Motorola, Inc., Schaumburg, Ill.**

[**] Term: **14 Years**

[21] Appl. No.: **7,930**

[22] Filed: **Apr. 8, 1993**

D. 298,119	10/1988	Richards et al.	D13/108
D. 304,446	11/1989	Hoover et al.	D14/114
D. 304,447	11/1989	Adams et al.	D14/114
D. 311,389	10/1990	Festa et al.	D14/107
D. 335,470	5/1993	Kerr et al.	D13/184 X
4,588,938	5/1986	Liautaud et al.	320/2
5,065,082	11/1991	Fushiya	320/2

Primary Examiner—Wallace R. Burke
Assistant Examiner—Joel Sincavage
Attorney, Agent, or Firm—Dale W. Dorinski

[57] CLAIM

The ornamental design for an exterior surface of the upper housing for a battery charger for a portable radio, as shown and described.

Related U.S. Application Data

[62] Division of Ser. No. 802,766, Dec. 5, 1991, abandoned.
 [52] U.S. Cl. **D13/118; D13/108**
 [58] Field of Search 320/2, 3, 4, 5;
 D13/107, 108, 184; D14/240, 107, 114, 217;
 D10/106

DESCRIPTION

FIG. 1 is a top plan view of the exterior surface of the upper housing for a battery charger for a portable radio showing our new design. The broken line showing of the remainder of the battery charger is included for the purpose of illustrating environmental elements only and forms no part of the claimed design;
 FIG. 2 is a front elevational view thereof;
 FIG. 3 is a left side elevational view thereof;
 FIG. 4 is a right side elevational view thereof;
 FIG. 5 is a rear elevational view thereof; and,
 FIG. 6 is a front and upper right perspective view thereof.

[56] References Cited

U.S. PATENT DOCUMENTS

D. 206,590	1/1967	Haggstrom et al.	D13/108
D. 275,482	9/1984	Coons et al.	D13/108 X
D. 276,998	1/1985	Caven	D13/184
D. 297,827	9/1988	Lay	D13/108

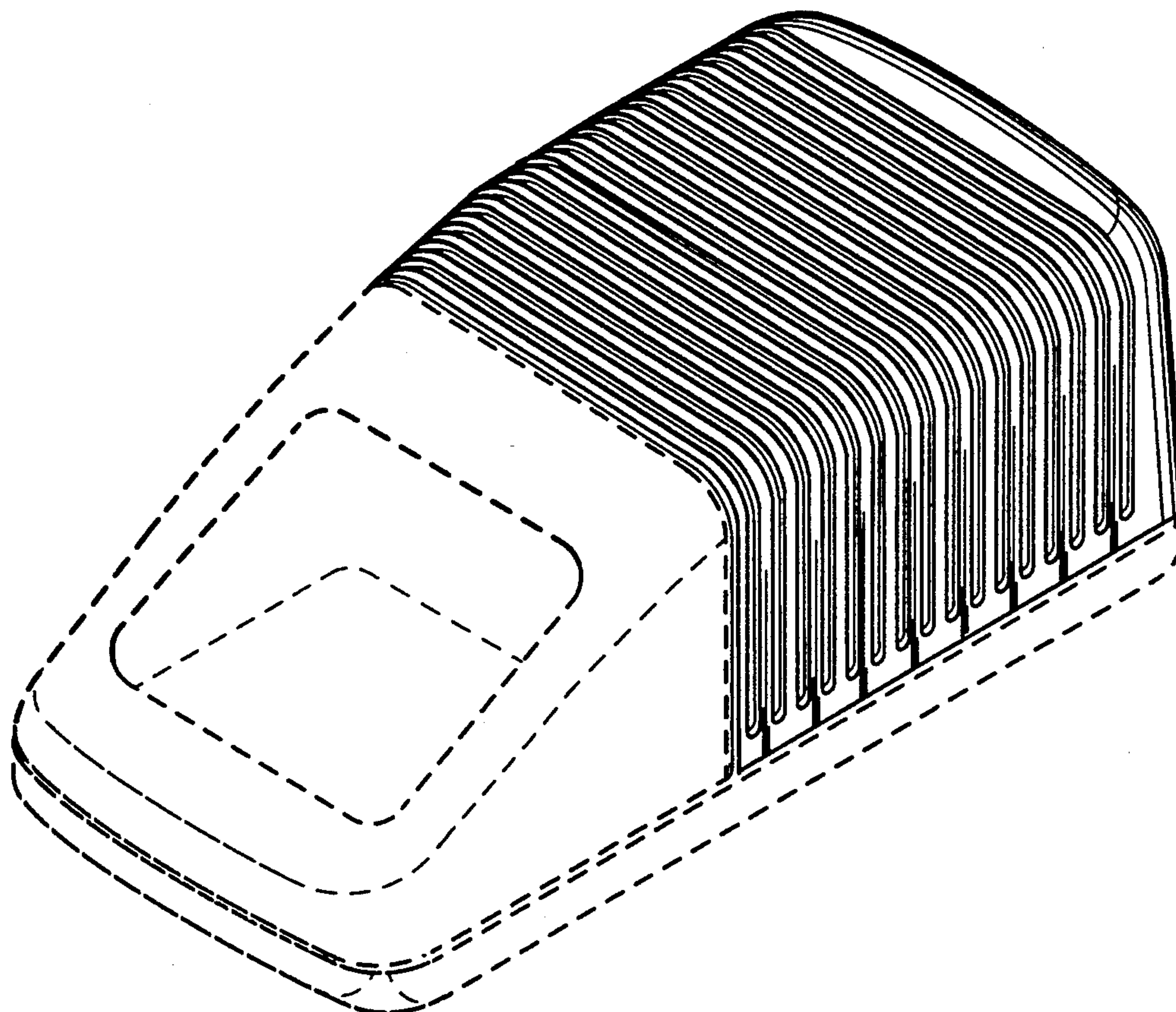


FIG. 1

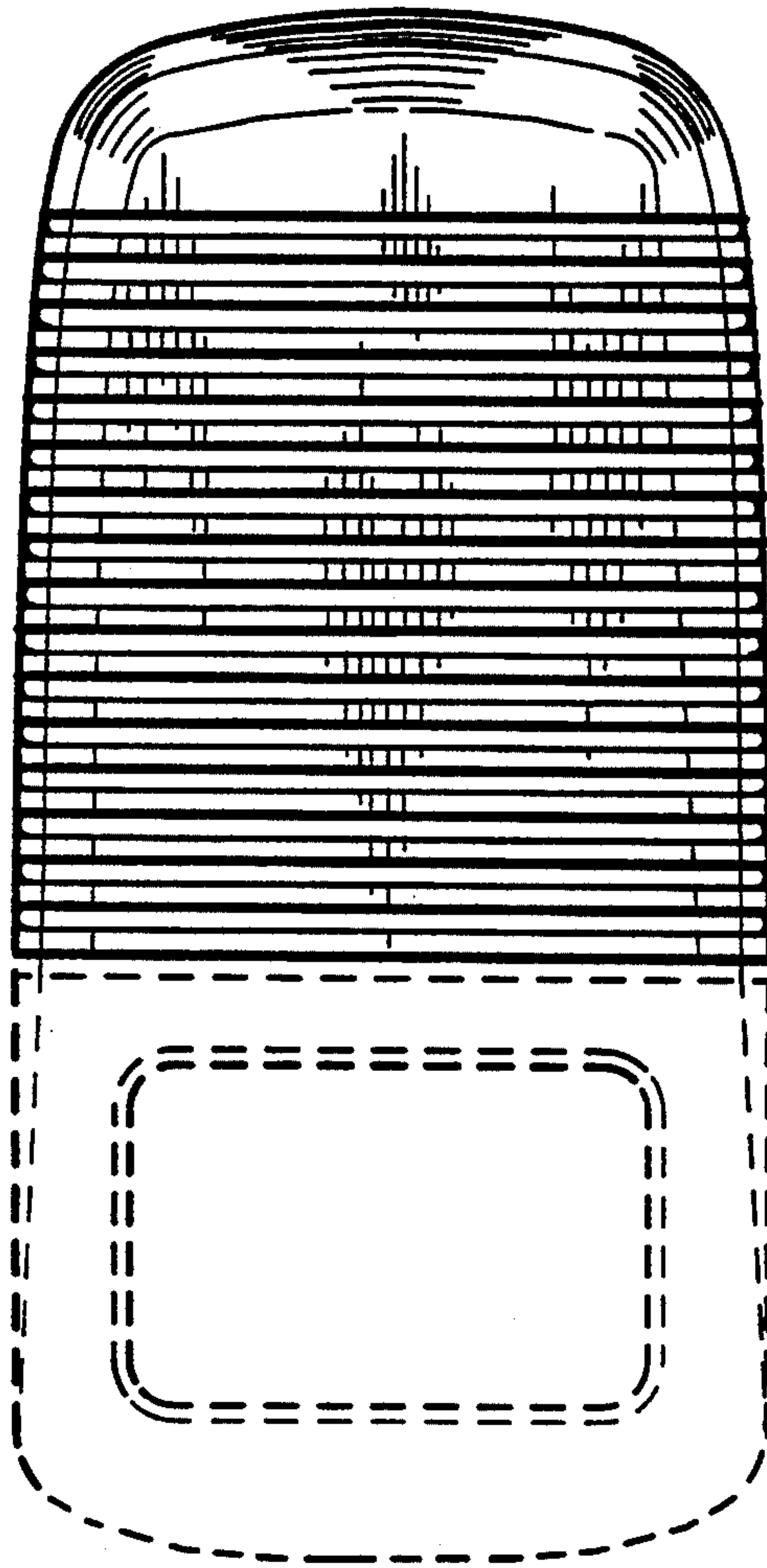


FIG. 2

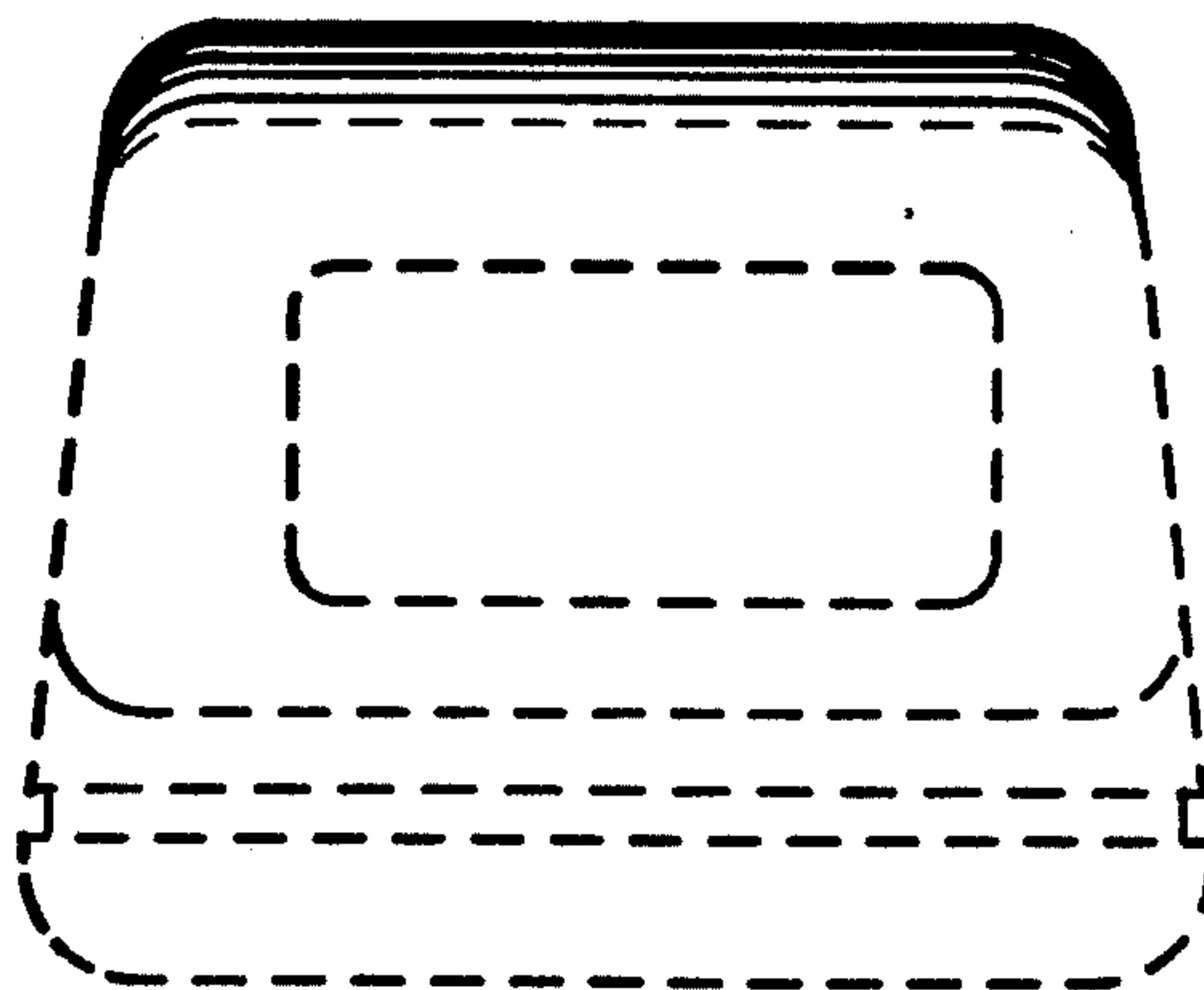


FIG. 3

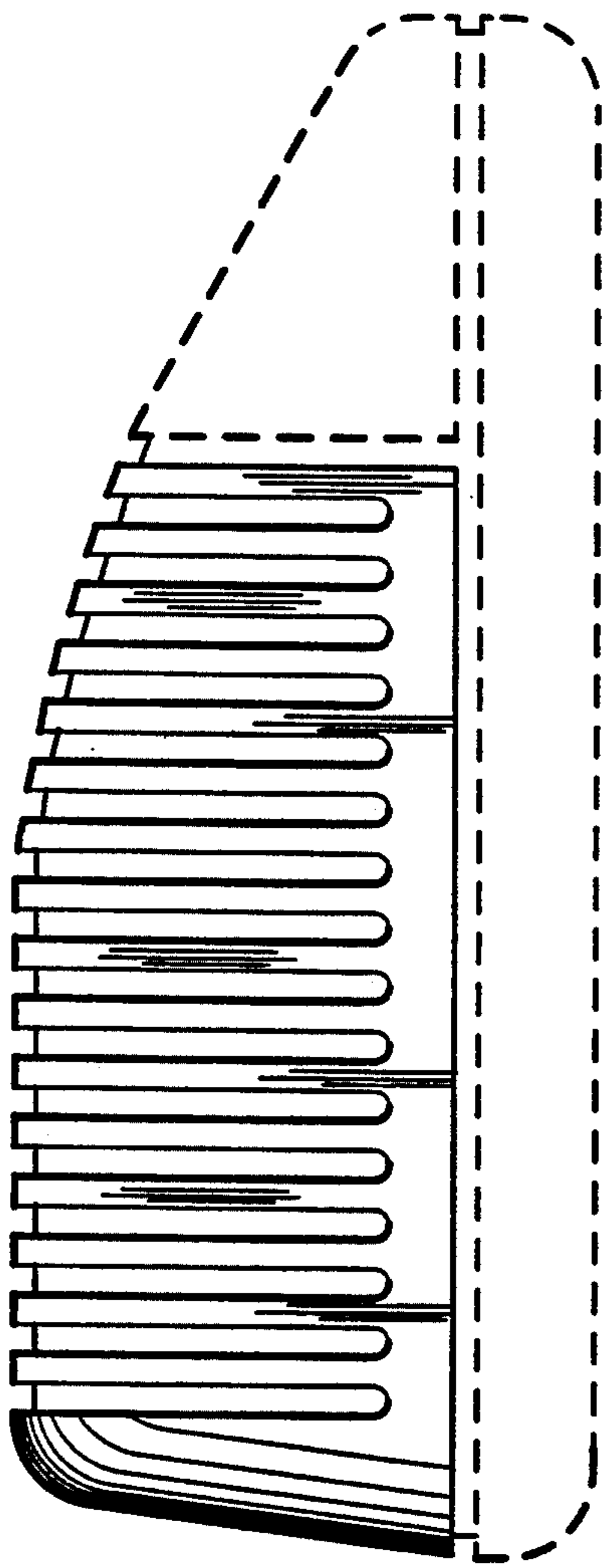


FIG. 4

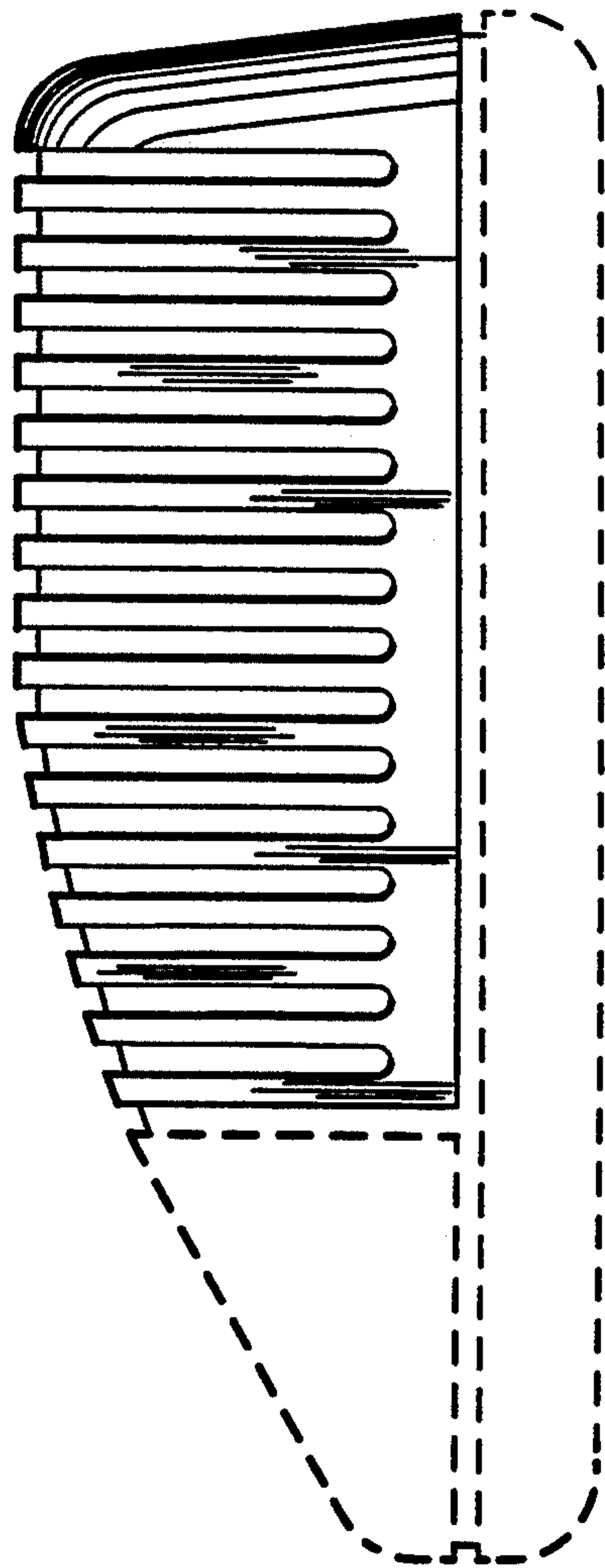


FIG. 5

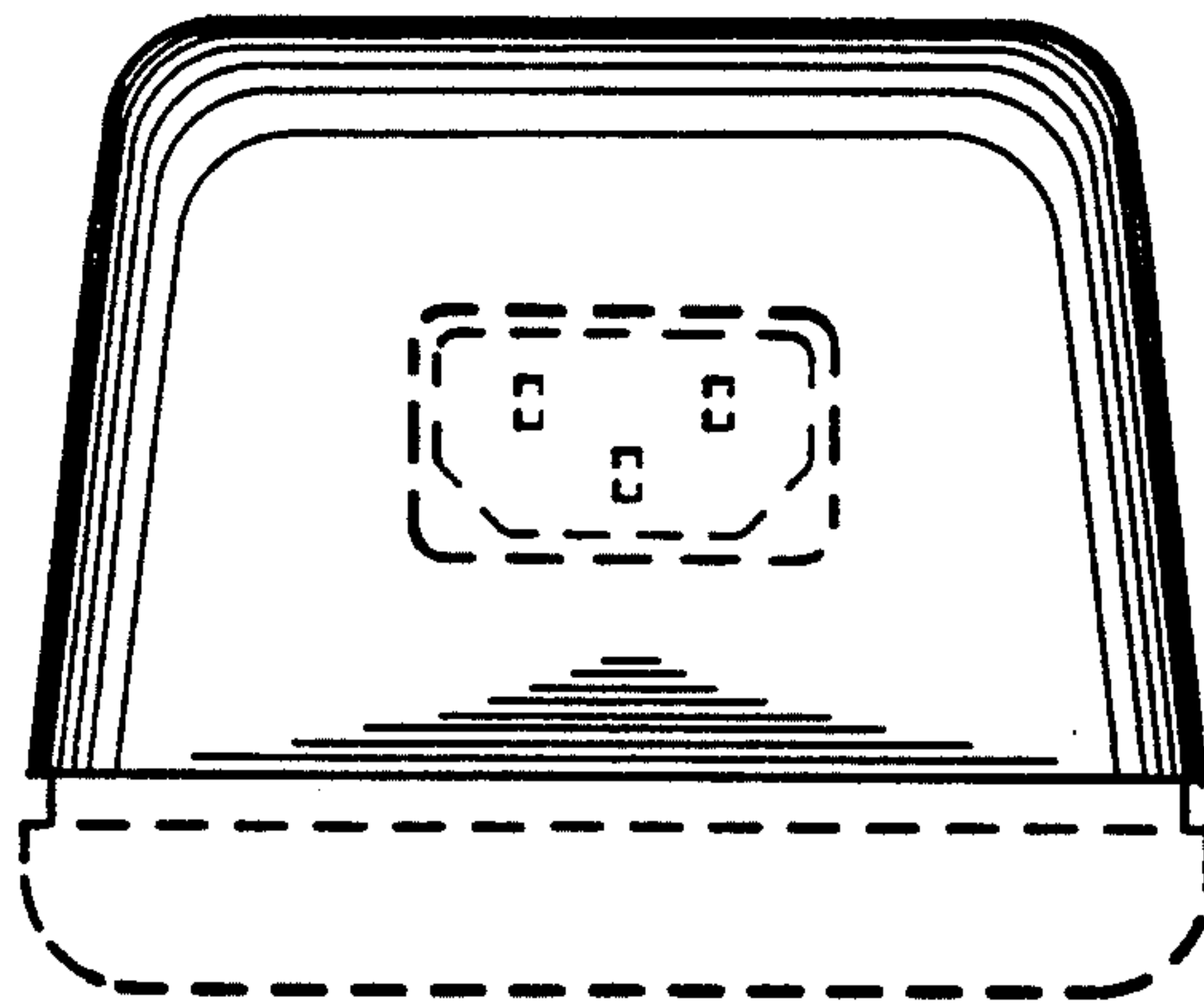


FIG. 6

