



US00D348648S

United States Patent [19]

[11] Patent Number: **Des. 348,648**

Uribe et al.

[45] Date of Patent: **** Jul. 12, 1994**

[54] **UNIVERSAL SLIP-IN SEAT FOR STAND-UP JET SKI**

*Primary Examiner—Kay H. Chin
Attorney, Agent, or Firm—Basil Travis*

[76] Inventors: **Juan E. Uribe; Timothy W. Hunter,**
both of 1145 1st St., Livingston,
Calif. 95334

[57] **CLAIM**

The ornamental design for a universal slip-in seat for stand-up jet ski, as shown and described.

[**] Term: **14 Years**

DESCRIPTION

[21] Appl. No.: **8,789**

FIG. 1 is a top and rear perspective view of a universal slip-in seat for stand-up jet ski showing our new design; FIG. 2 is a rear elevational view thereof, the broken lines illustrating a jet ski are for illustrative purposes and form no part of the claimed design;

[22] Filed: **May 28, 1993**

[52] U.S. Cl. **D12/317; D12/307**

[58] Field of Search **114/363, 343, 347;
D12/317, 307, 300**

FIG. 3 is a front elevational view;

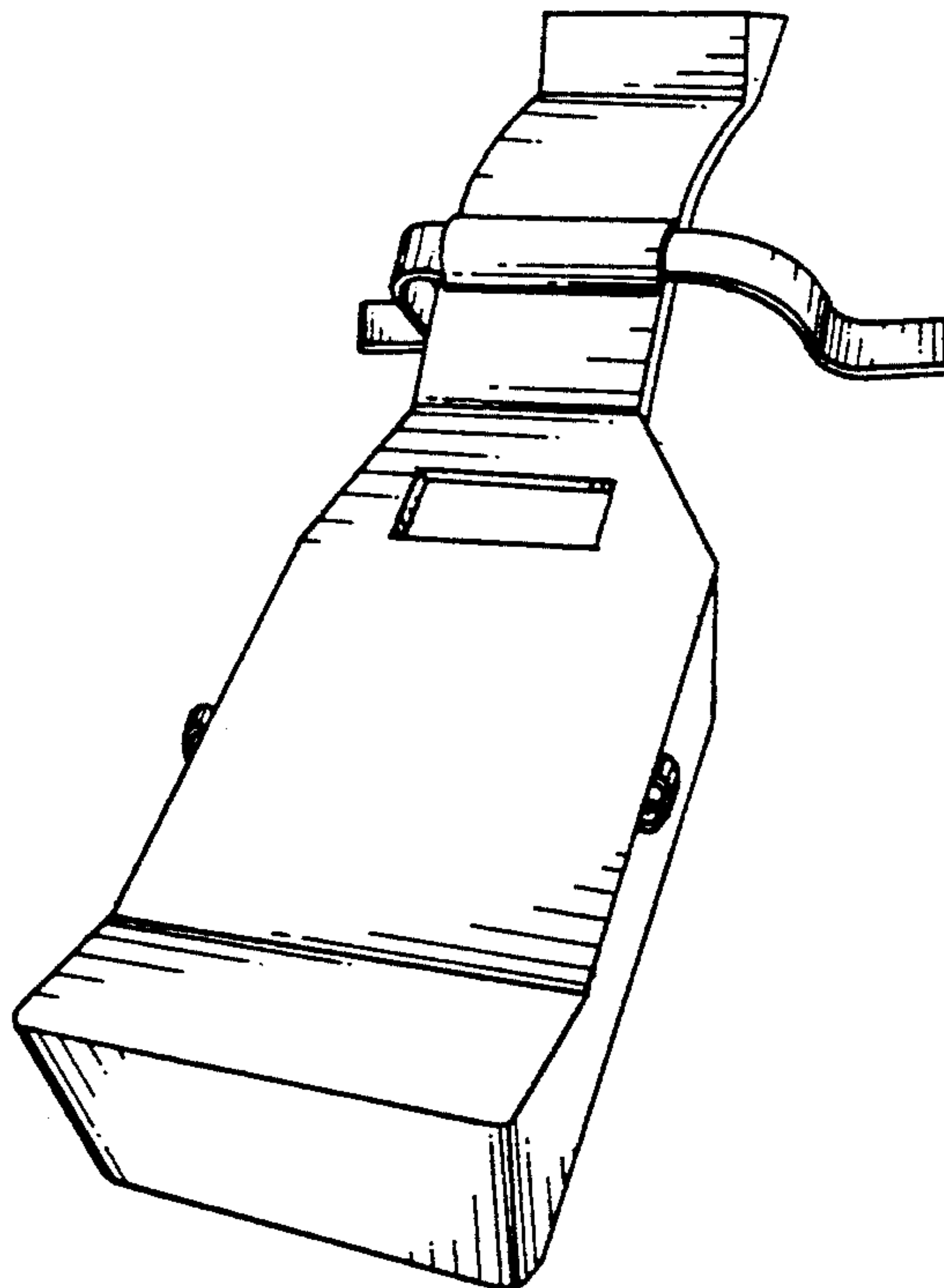
FIG. 4 is a side elevational view, the opposite side being a mirror image thereof;

[56] References Cited

U.S. PATENT DOCUMENTS

- 5,095,843 3/1992 Kobayashi 114/360
- 5,257,590 11/1993 Foote, Jr. et al. 114/363

FIG. 5 is a bottom plan view; and,
FIG. 6 is a top plan view thereof.



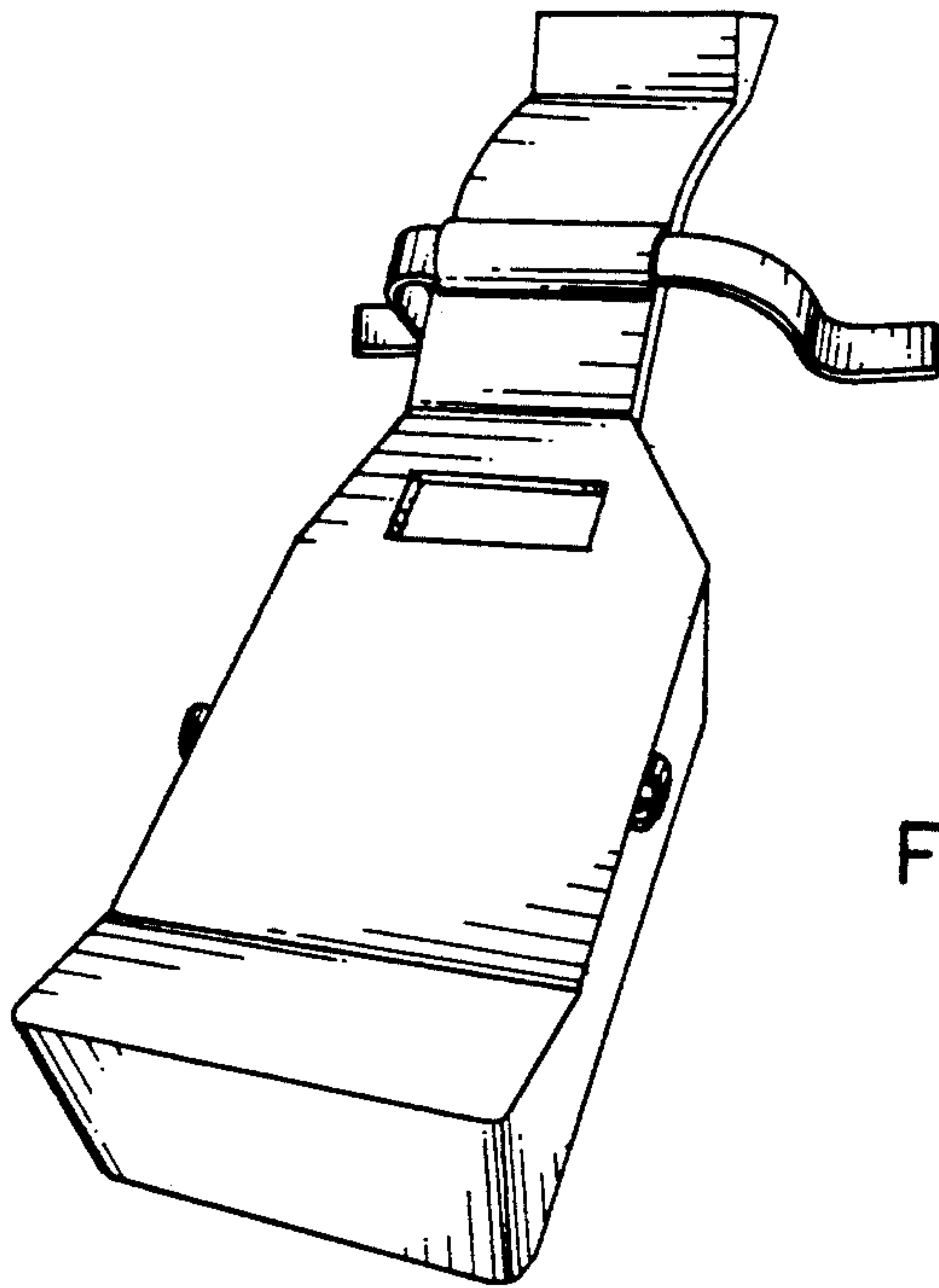


FIG. 1

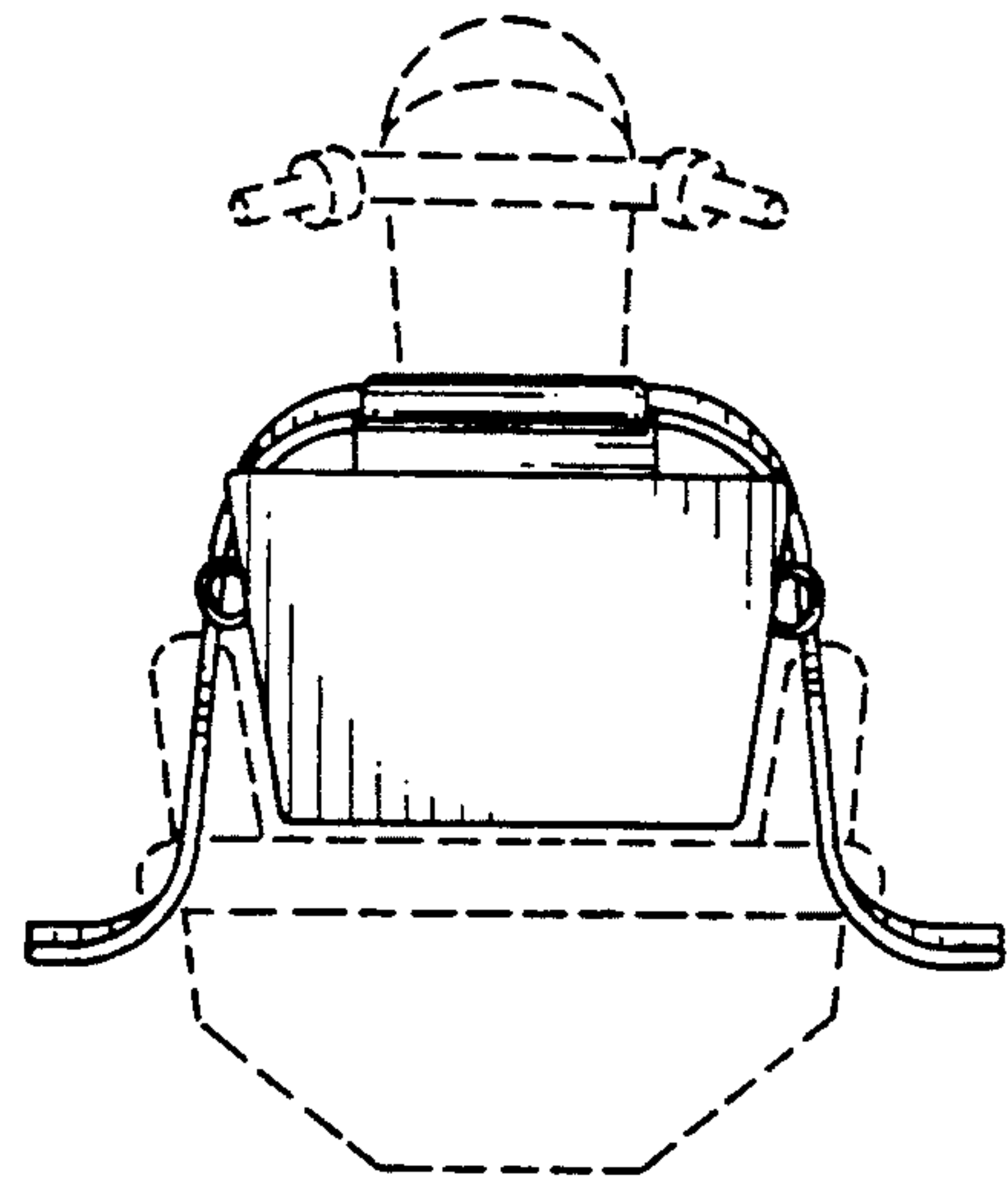


FIG. 2

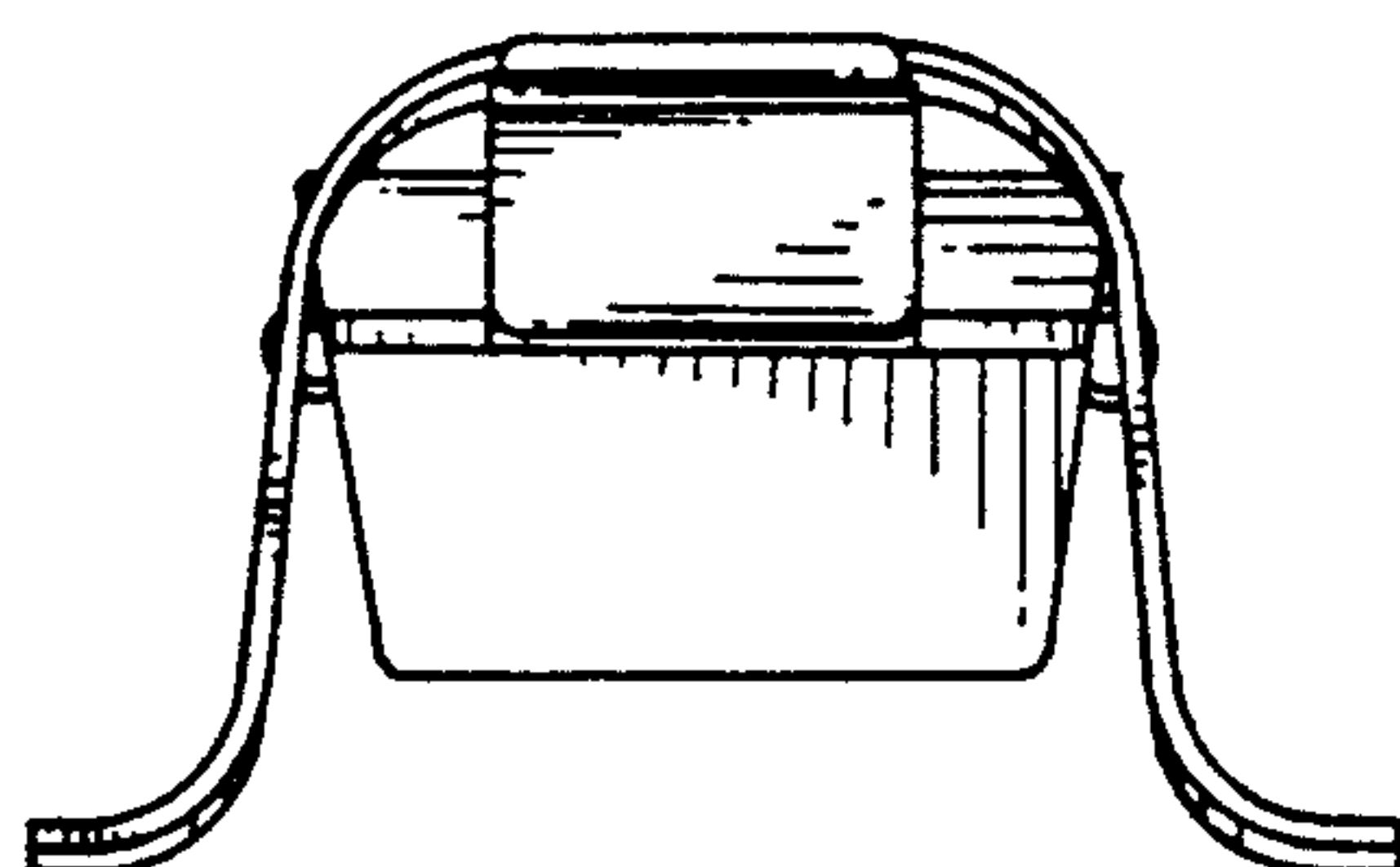


FIG. 3

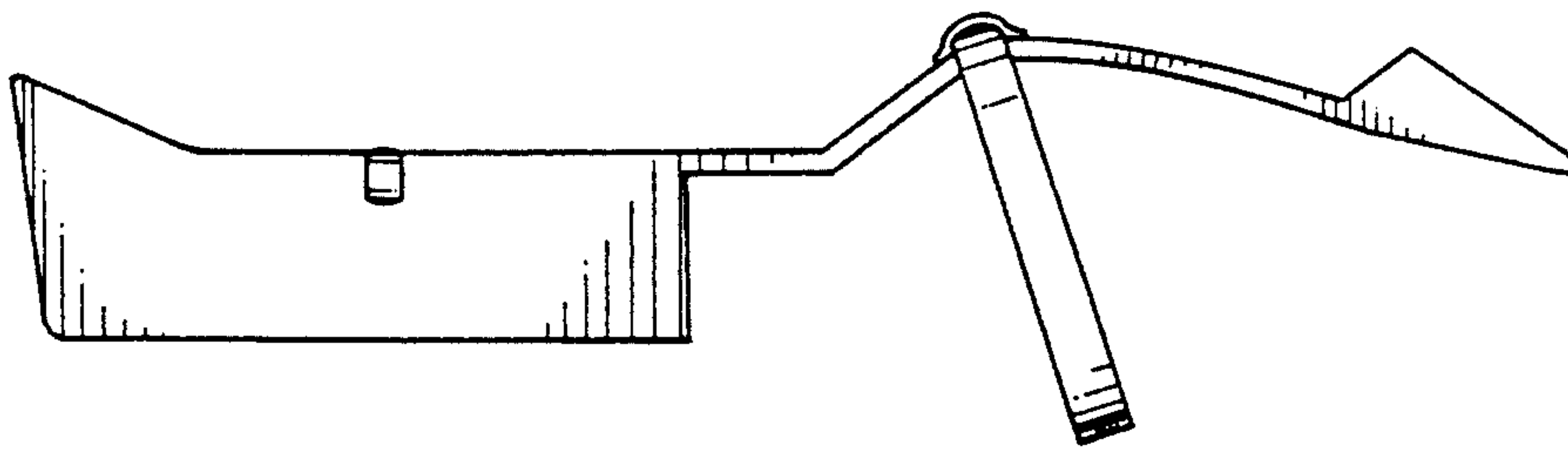


FIG. 4

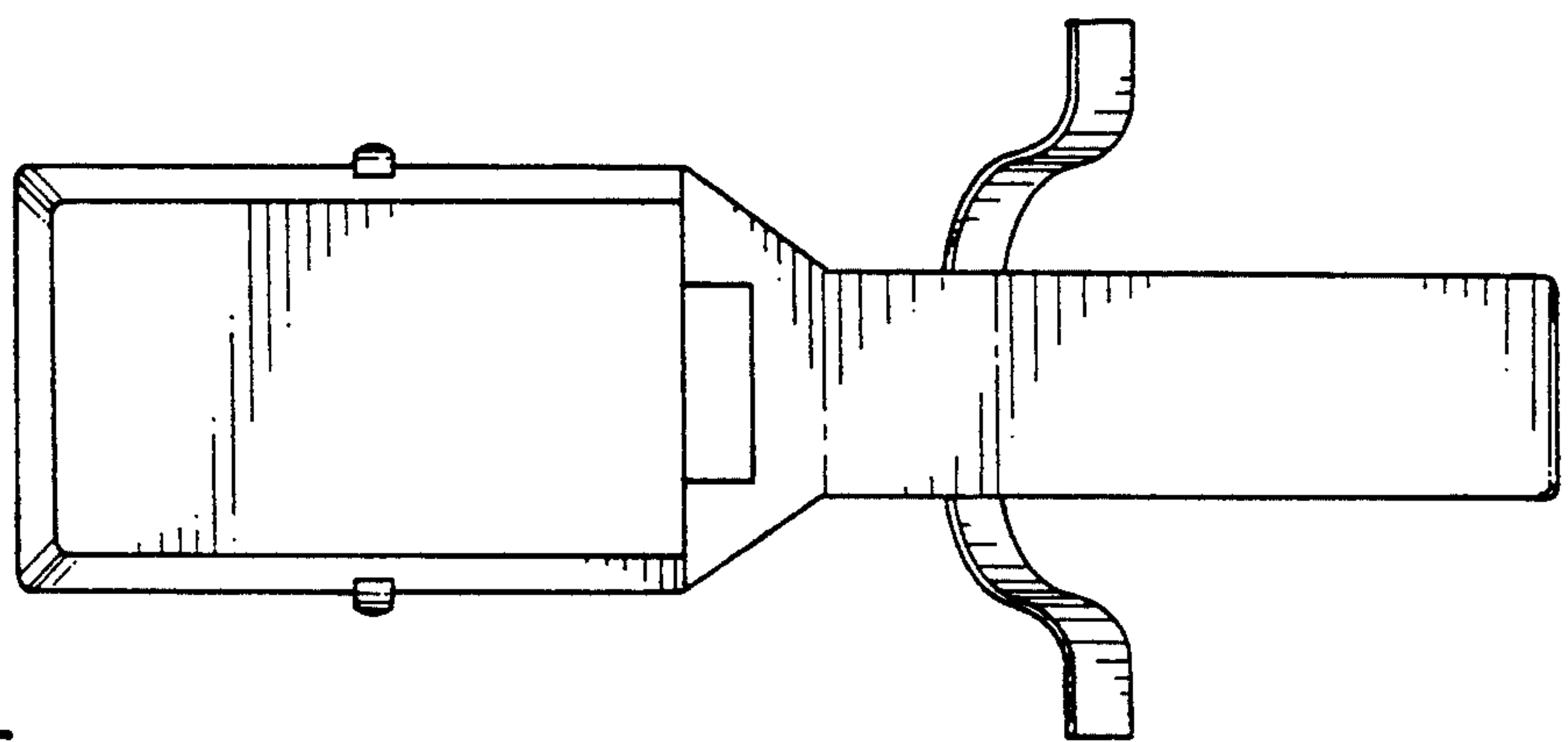


FIG. 5

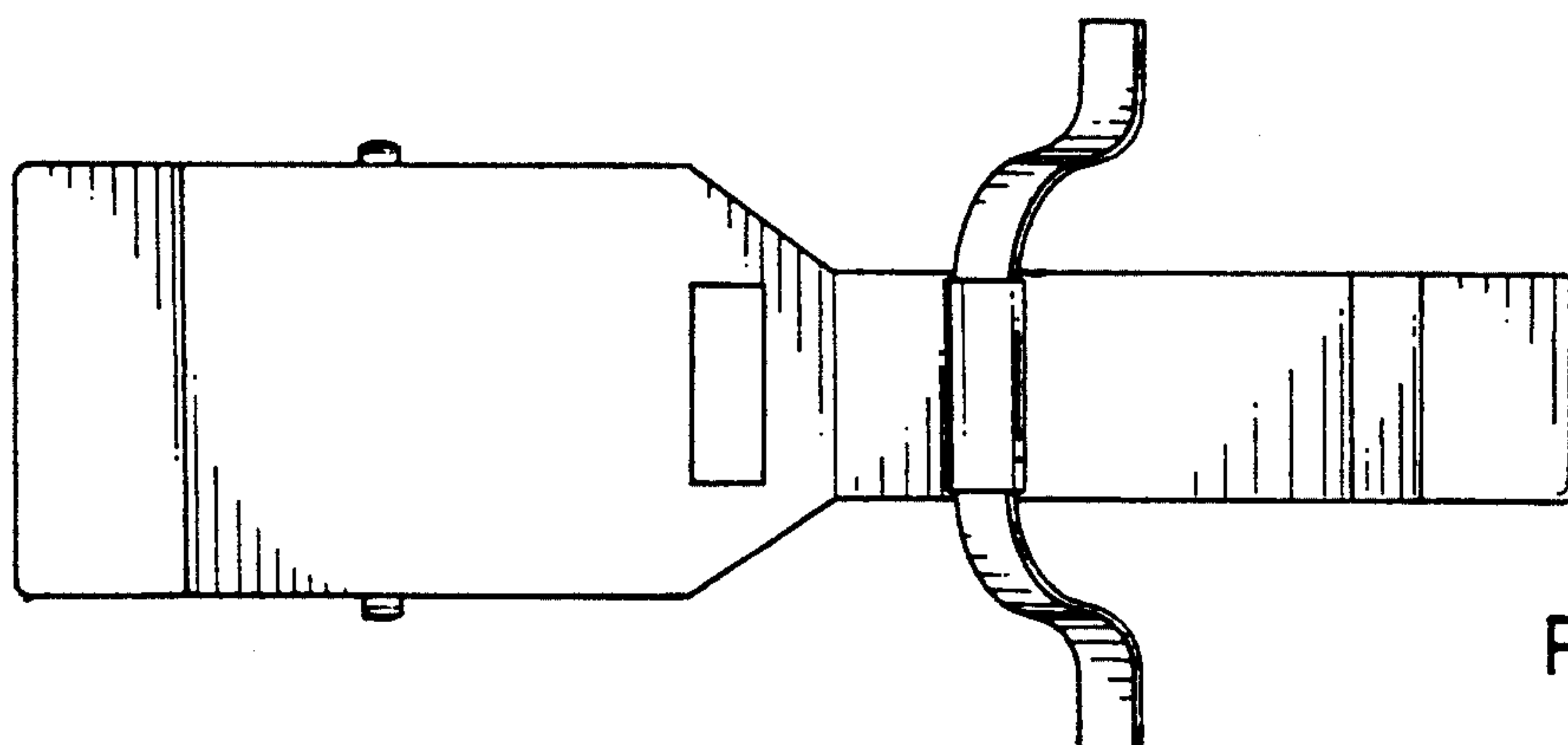


FIG. 6