



US00D348644S

United States Patent [19]

[11] Patent Number: Des. 348,644

Lim

[45] Date of Patent: ** Jul. 12, 1994

[54] **VEHICLE FRONT DOOR PANEL**

[75] Inventor: Rex W. Lim, Granger, Ind.

[73] Assignee: Paramount Plastics, Inc., Elkhart, Ind.

[**] Term: 14 Years

[21] Appl. No.: 2,768

[22] Filed: Feb. 8, 1993

[52] U.S. Cl. D12/195

[58] Field of Search 296/146 R, 146 B, 146 O, 296/146 J, 146 K, 149, 153; D12/195

[56] **References Cited**

U.S. PATENT DOCUMENTS

- D. 296,883 7/1988 Lim D12/195
- D. 338,865 8/1993 Lim D12/195

Primary Examiner—Wallace R. Burke
Assistant Examiner—Melody Brown
Attorney, Agent, or Firm—James D. Hall

[57] **CLAIM**

The ornamental design for a vehicle front door panel, as shown and described.

DESCRIPTION

FIG. 1 is a perspective view of a vehicle front door panel showing my new design;
 FIG. 2 is a front elevation view thereof;
 FIG. 3 is a left side elevation view thereof;
 FIG. 4 is a right side elevation view thereof;
 FIG. 5 is a top plan view thereof;
 FIG. 6 is a bottom plan view thereof;
 FIG. 7 is a perspective view of a second embodiment of a vehicle front door panel showing my new design;
 FIG. 8 is a front elevation view of FIG. 7;
 FIG. 9 is a right side elevation view of FIG. 7;
 FIG. 10 is a left side elevation view of FIG. 7;
 FIG. 11 is a top plan view of FIG. 7; and,
 FIG. 12 is a bottom plan view of FIG. 7.

The rear of the two embodiments of the vehicle door panel is understood to be unornamented and reverse images of the front thereof.

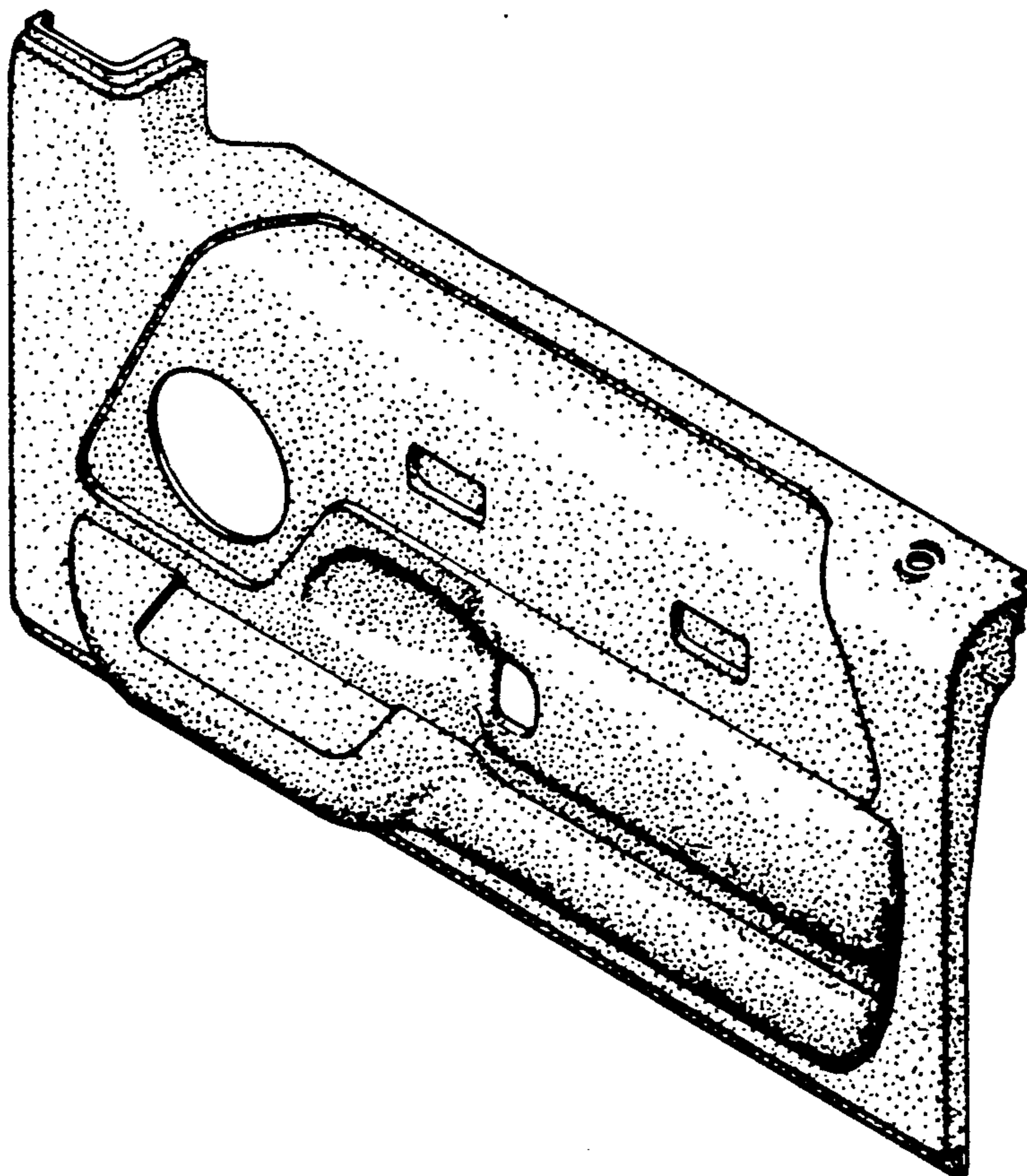


Fig. 1

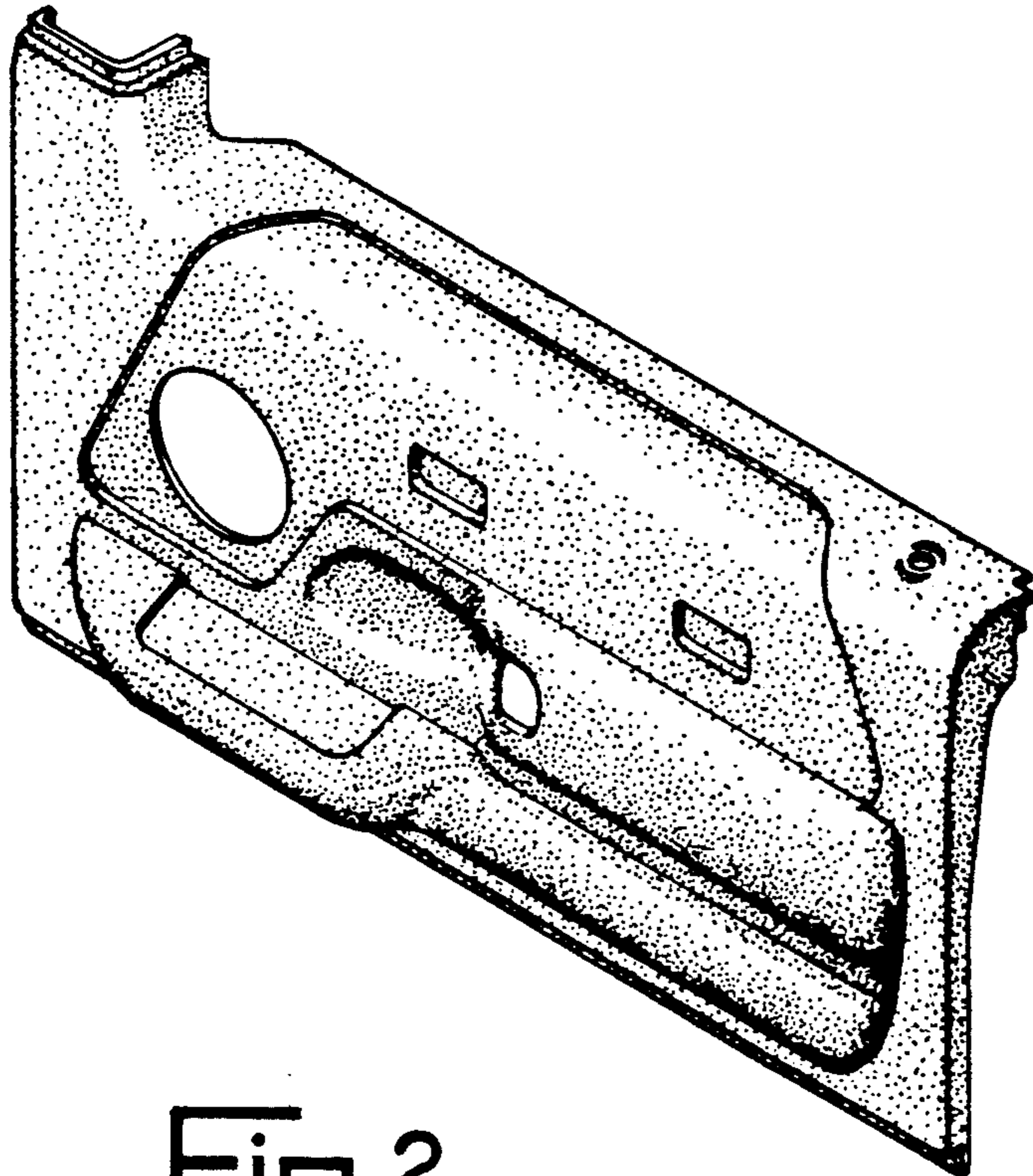


Fig. 3

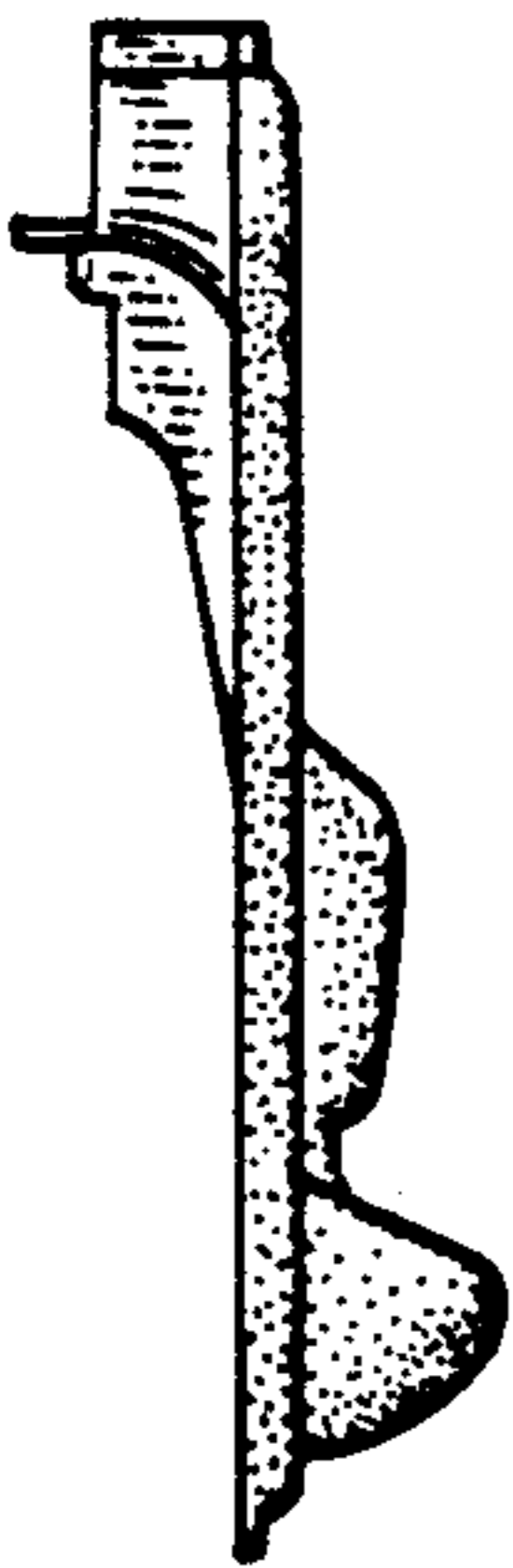


Fig. 2

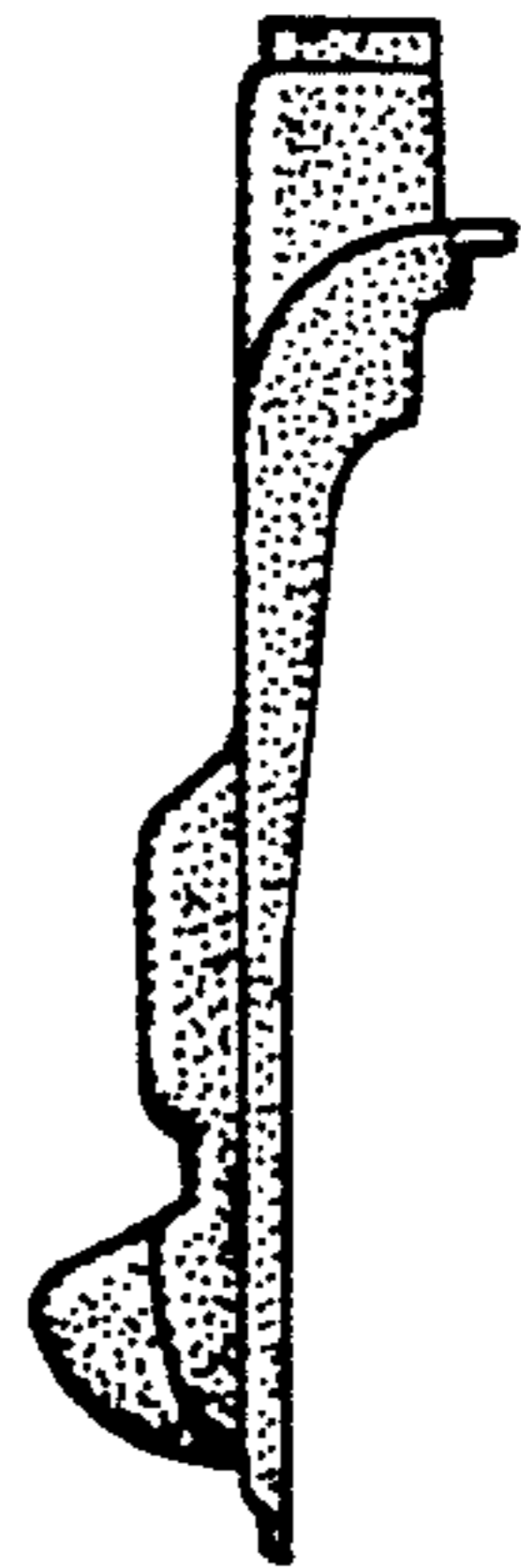
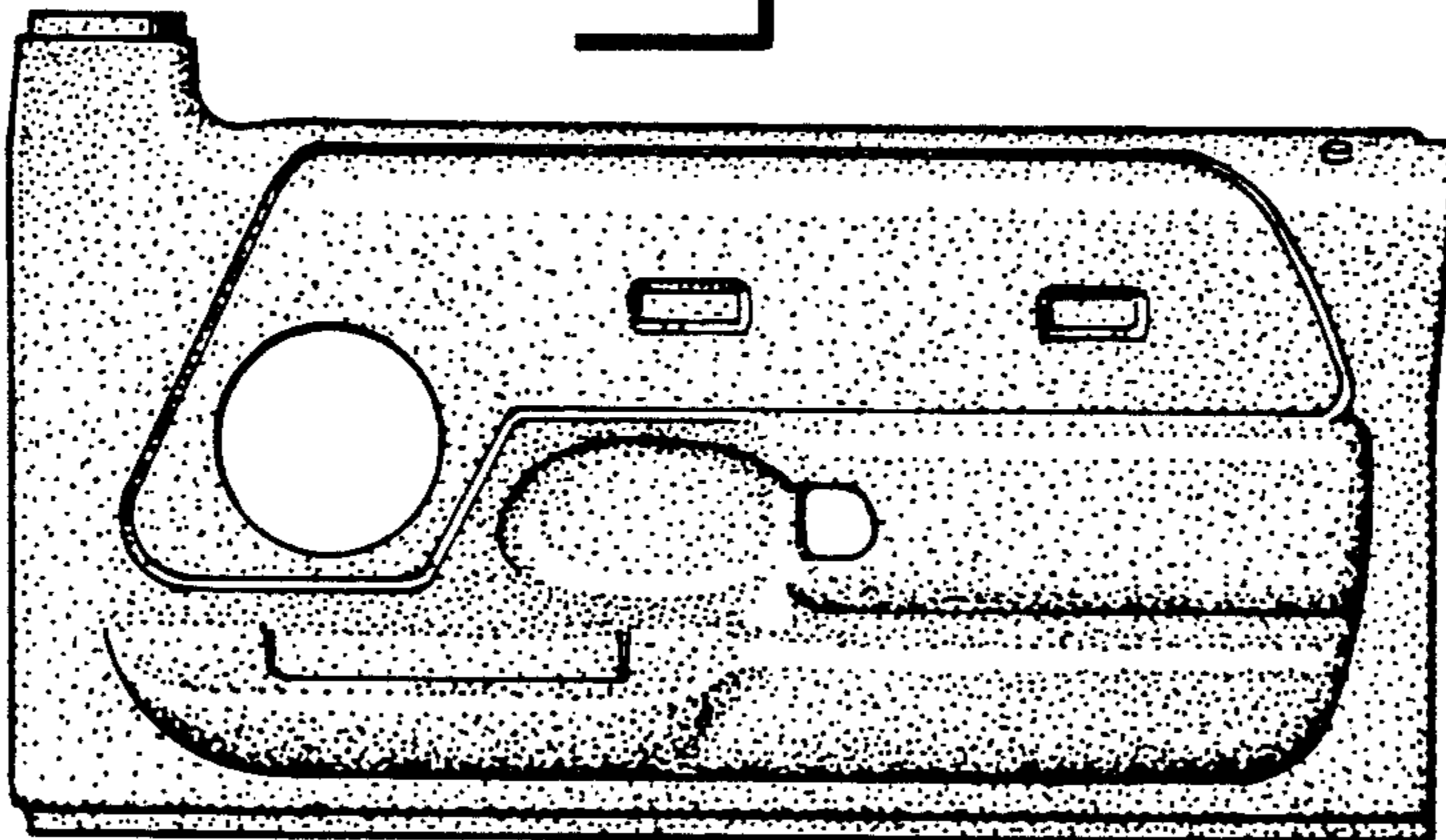


Fig. 4

Fig. 5

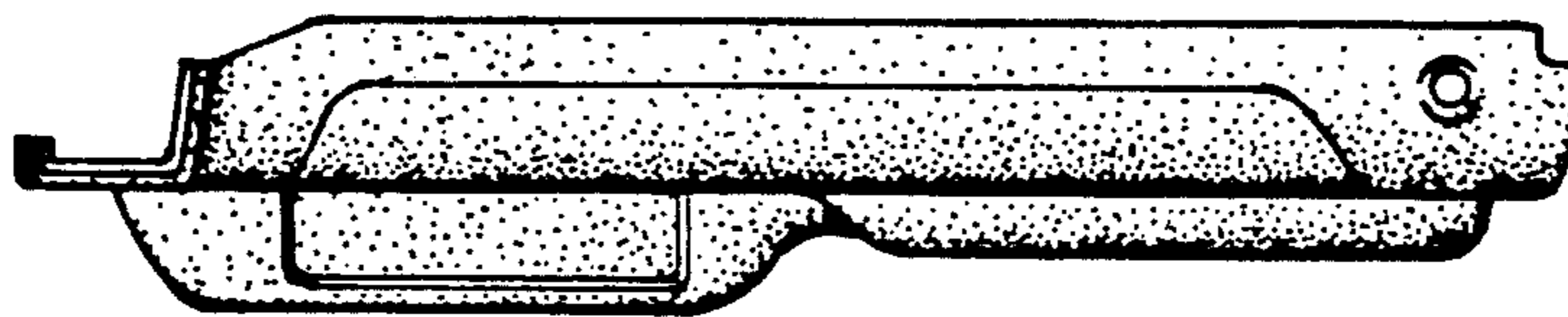


Fig. 6



Fig. 7

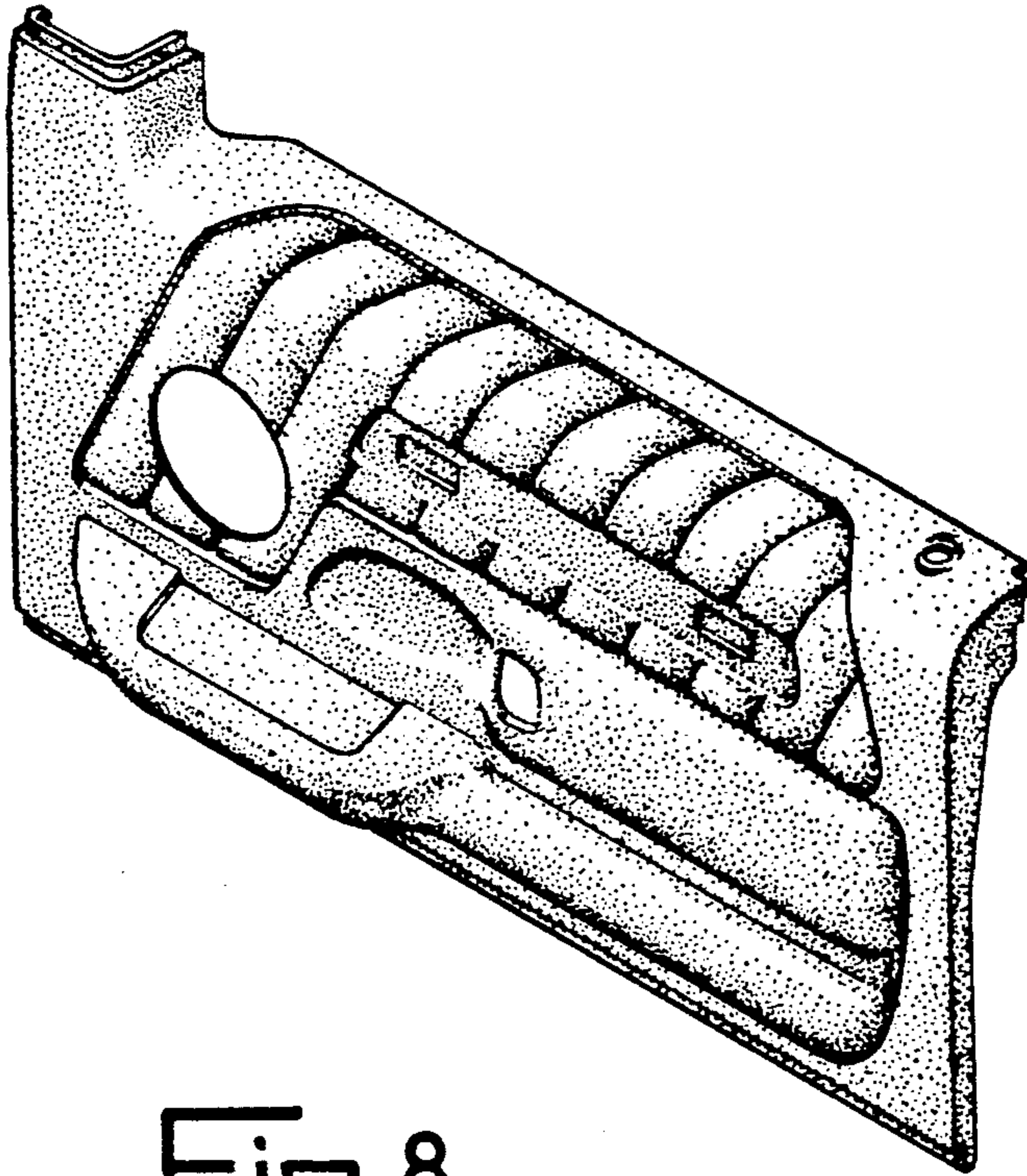


Fig. 9

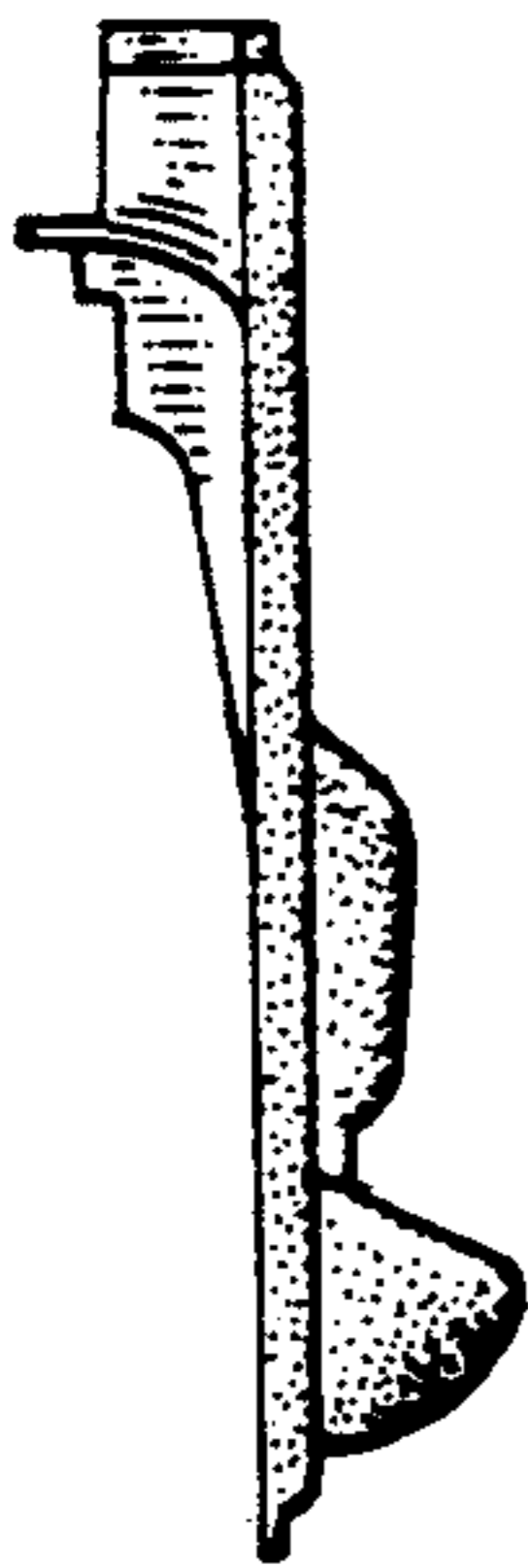


Fig. 8

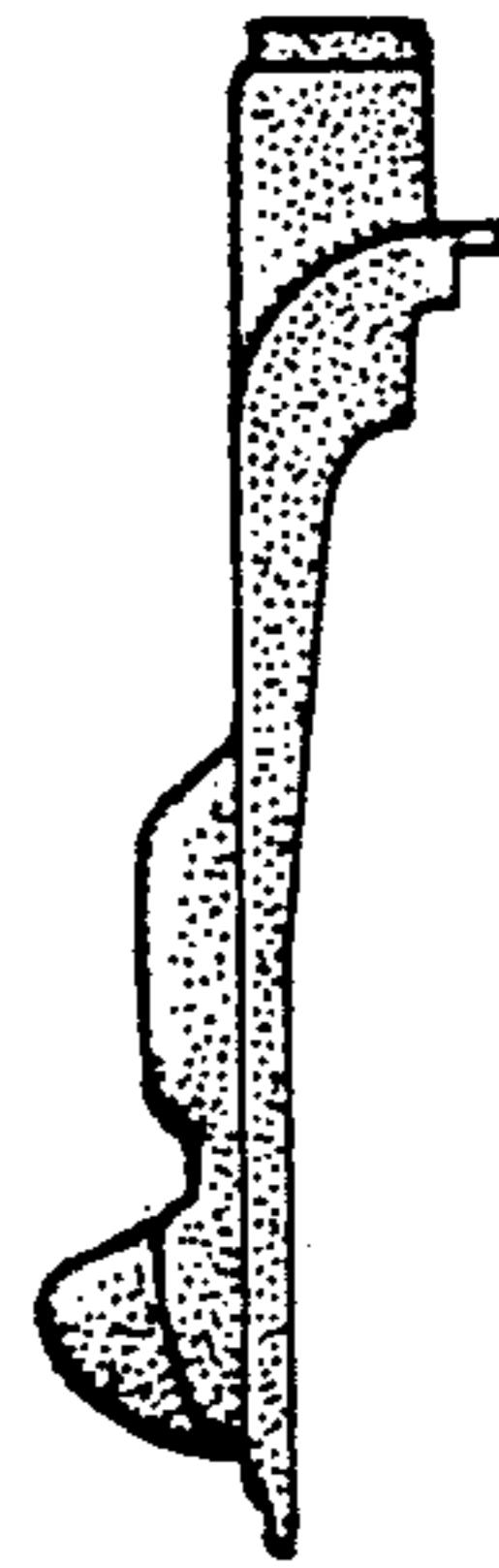
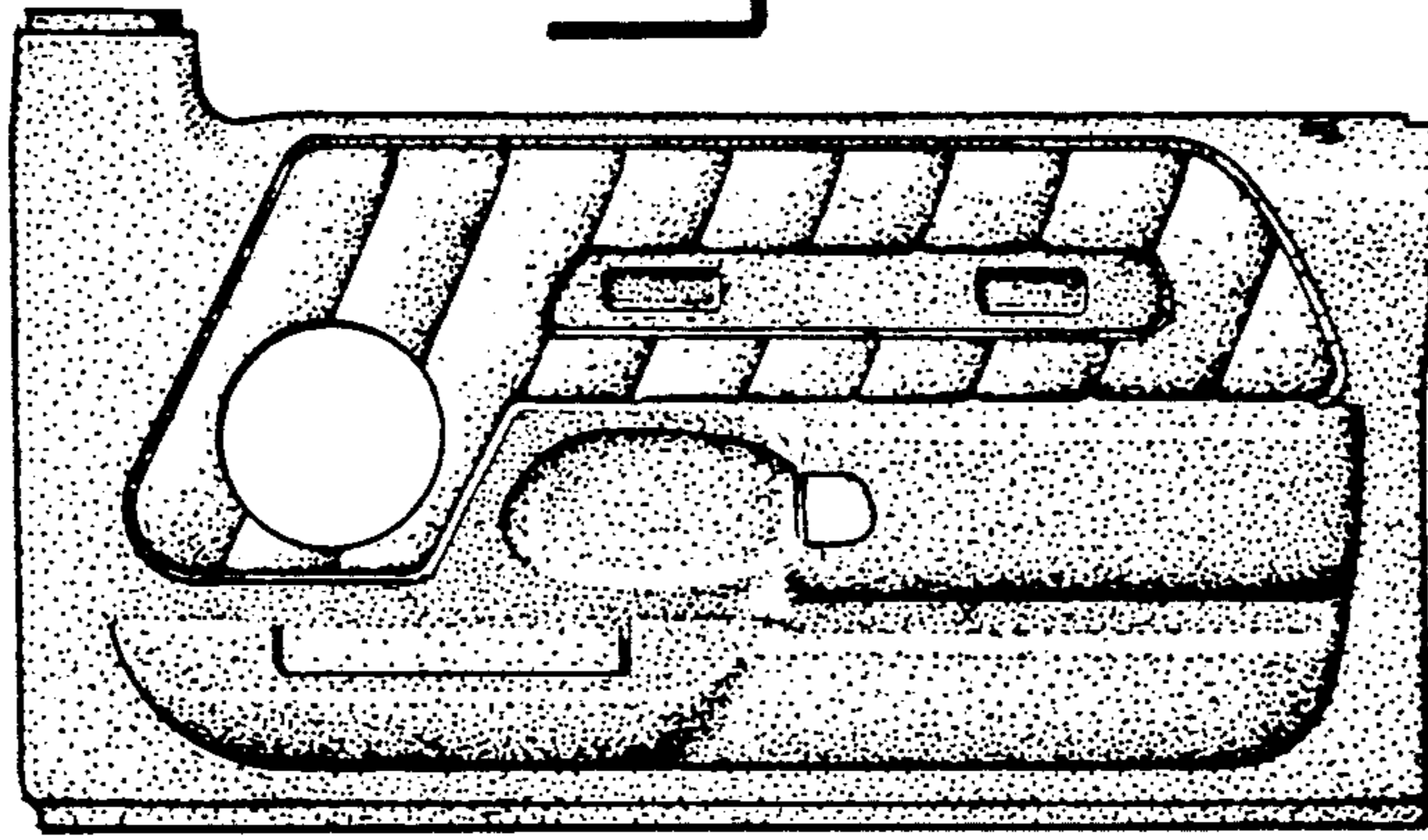


Fig. 10

Fig. 11

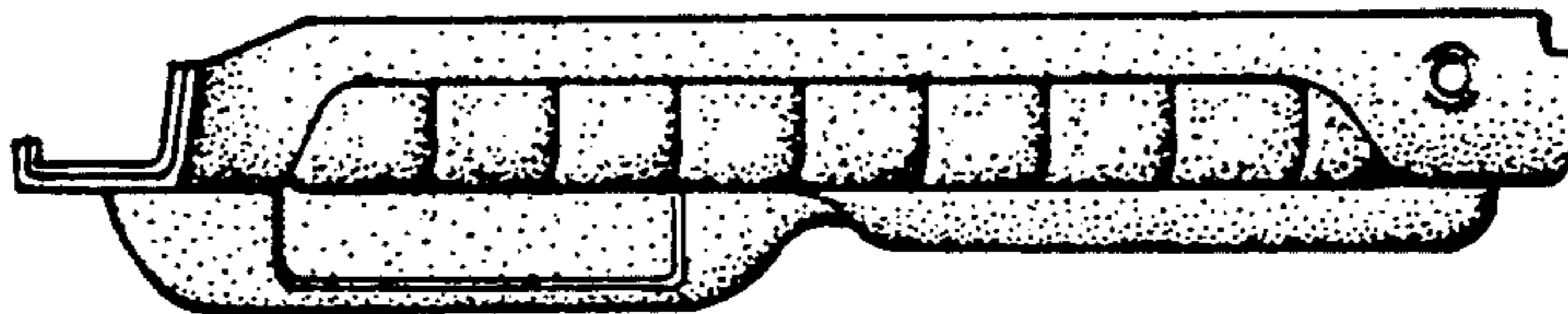


Fig. 12

