



US00D348643S

# United States Patent [19]

[11] Patent Number: Des. 348,643

Nagata

[45] Date of Patent: \*\* Jul. 12, 1994

[54] FRAME FOR INSTALLING A CAR LICENSE PLATE

Primary Examiner—James M. Gandy  
Attorney, Agent, or Firm—Oliff & Berridge

[75] Inventor: Yoichi Nagata, Chigasaki, Japan

[57] CLAIM

[73] Assignee: Nagata Industries Co., Ltd., Tokyo, Japan

The ornamental design for a frame for installing a car license plate, as shown and described.

[\*\*] Term: 14 Years

DESCRIPTION

[21] Appl. No.: 866,229

FIG. 1 is a front elevational view of a frame for installing a car license plate showing my new design;

[22] Filed: Apr. 8, 1992

FIG. 2 is a cross-sectional view thereof along line 2—2 of FIG. 1;

[52] U.S. Cl. .... D12/193

FIG. 3 is a cross-sectional view thereof along line 3—3 of FIG. 1;

[58] Field of Search ..... D6/300, 309, 310, 311;  
40/200, 209; D12/193

FIG. 4 is a rear elevational view thereof;

[56] References Cited

U.S. PATENT DOCUMENTS

- D. 303,179 9/1989 Evenson ..... D6/310
- D. 335,858 5/1993 Traeger ..... D12/193

FIG. 5 is a right hand side elevational view thereof (the left hand side being symmetrical);

FIG. 6 is a top plan view thereof (the bottom being symmetrical); and,

FIG. 7 is a perspective view thereof.

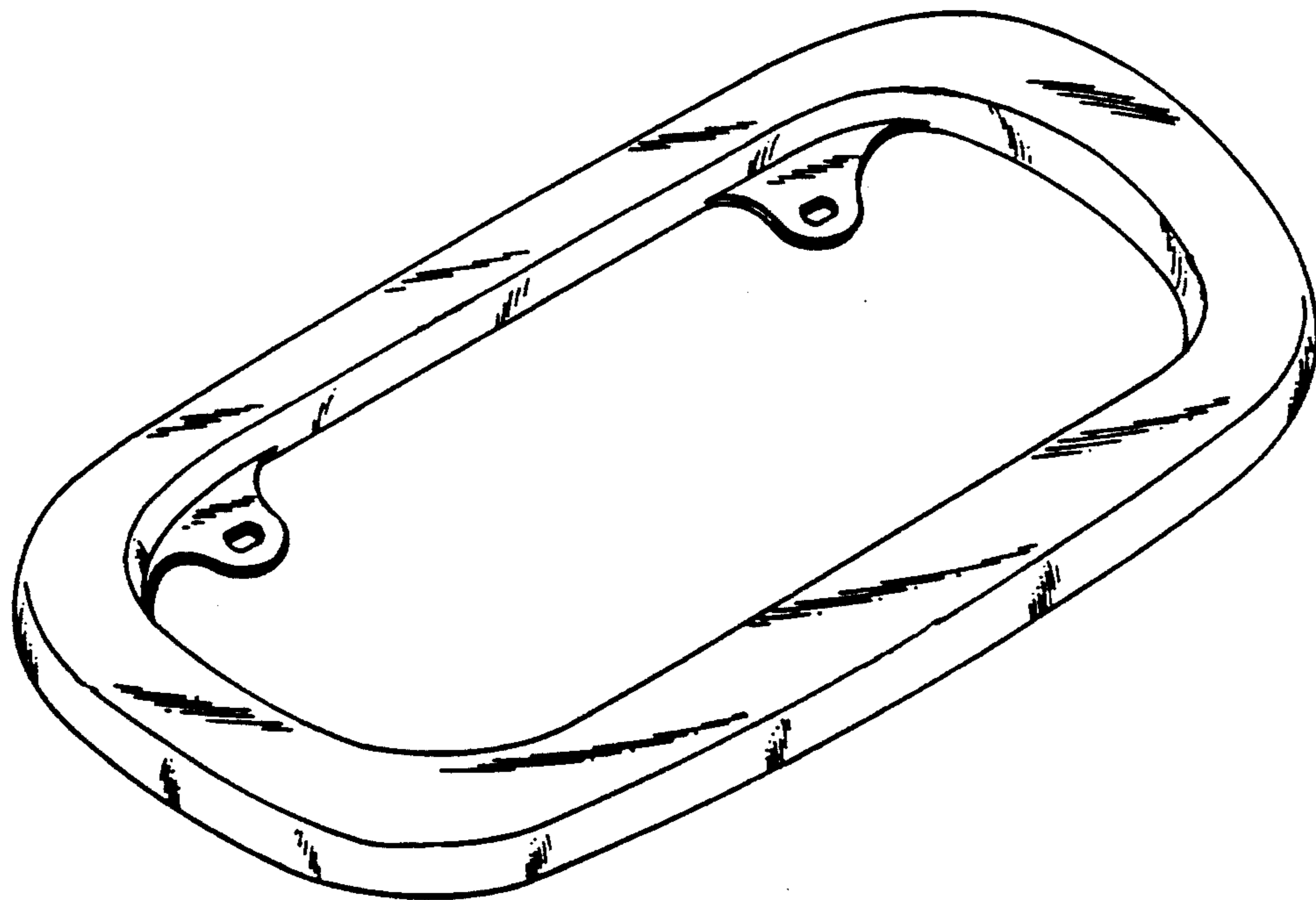


FIG. 1

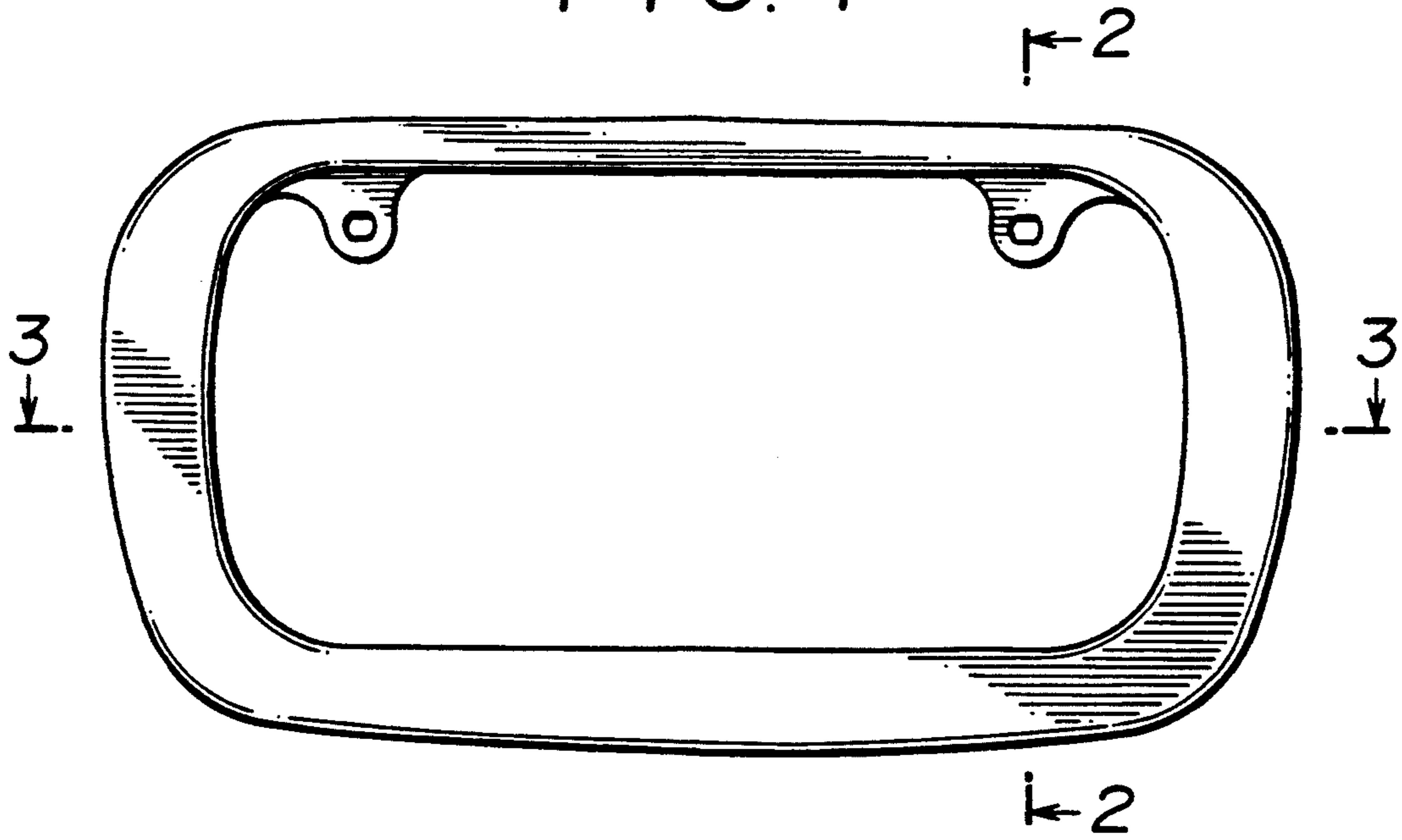


FIG. 2



FIG. 3

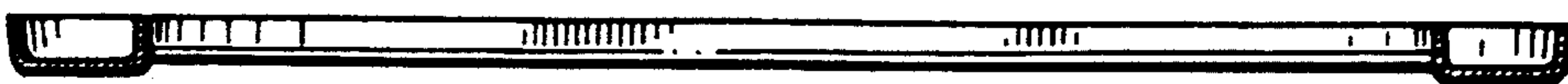


FIG. 4

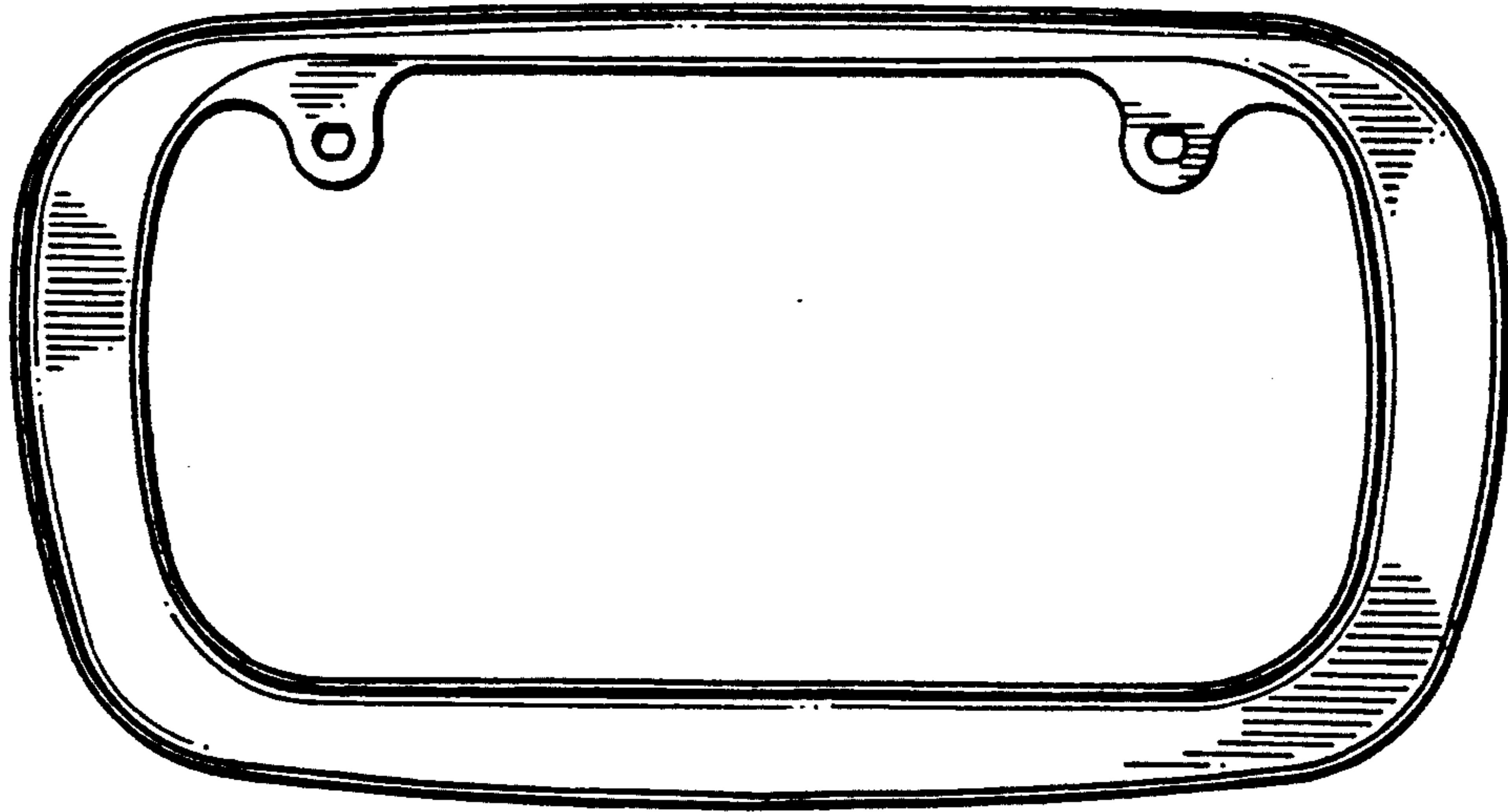


FIG. 5



FIG. 6



FIG. 7

